



DE-0194-CRO

V0

VITRO Spotlight



Description

LED Spotlight for indoor use.

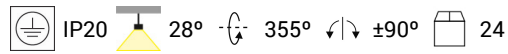
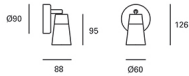
For downlighting. Maximum visual comfort. The optical module can easily be rotated 360°. Structure material: Steel. Structure finish: Satin nickel, Chrome. Warranty: 5 Years.

Finish

Satin nickel
Chrome

Material

Steel



TECHNICAL CHARACTERISTICS

Light source

Light source: LED LEPOWER
Output (W): 5W
Total power consumption (W): 6
Color temperature: Warm White - 3000K
CRI: 80
Real Lumen: 449
Qty Leds: 1
Lm/Real W: 75
Life Time: 36.000 L70B30
Bin / Grup: NO
UGR: 13.3

GEAR

Brand: AOKEA
Gear included: Yes, electronic
Voltage / Frequency:
100-240VAC/50-60Hz

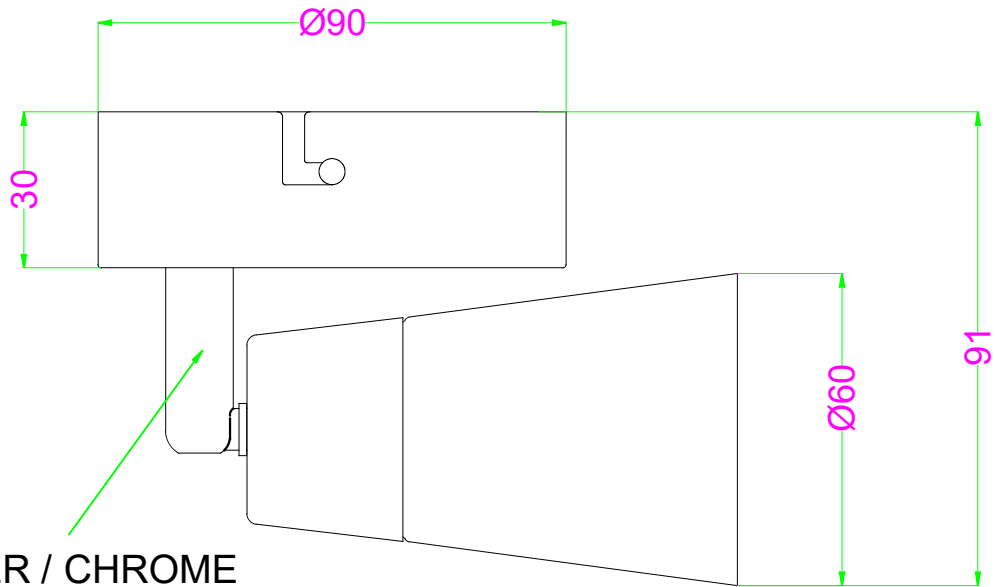
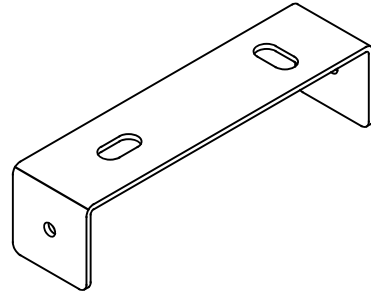
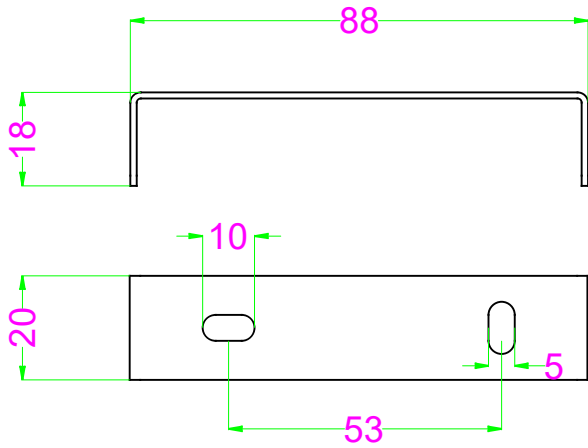
Luminaire

Warranty: 5 Years

Logistics

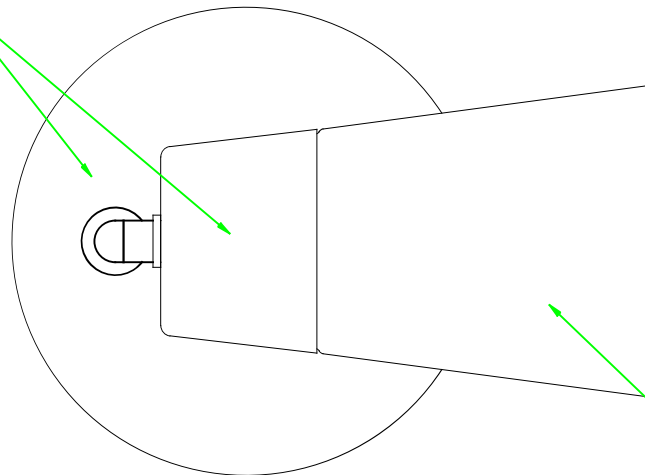
Energy Efficiency: LED A++
EAN Code: 8435381449421
Net Weight (Kg): 0.355
Weight in Kg (packaged): 0.441
Packing: 100 x 95 x 135
Masterbox: 24

The photograph may not match the reference exactly. Please read the product description to identify the finish.



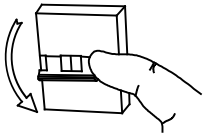
COPPER / CHROME

IRON / CHROME

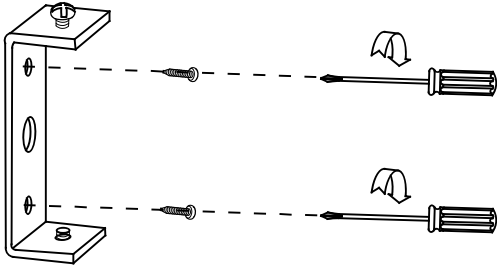


IRON / SATIN NICKEL

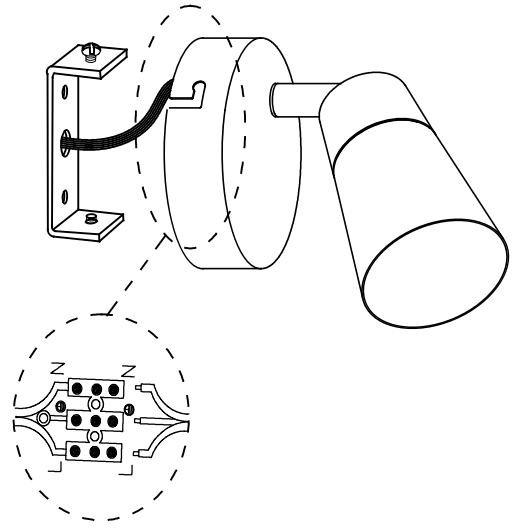
1



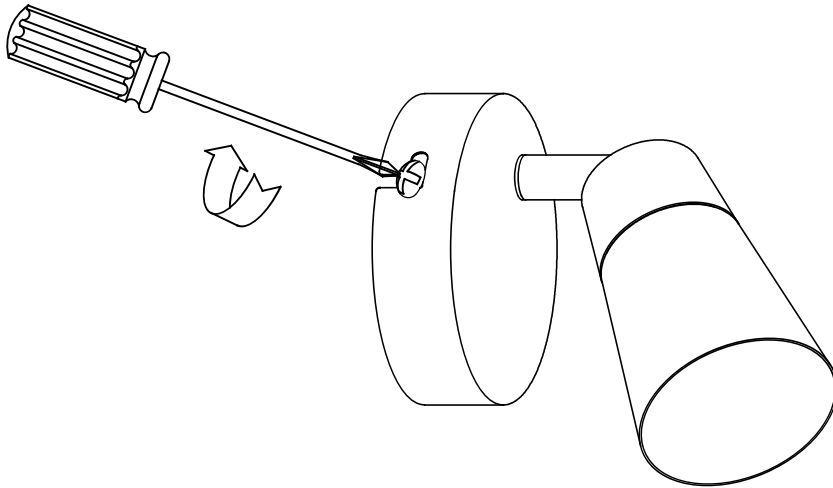
OFF



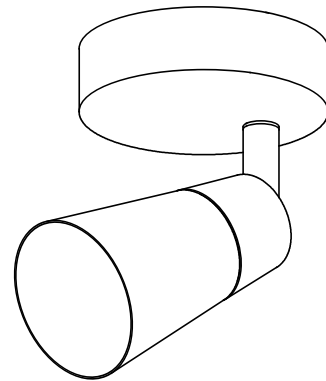
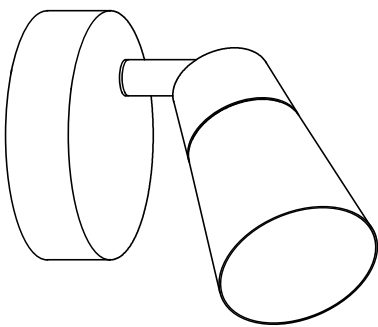
2



3



4



ON

