



DE-0196-CRO

V0

VITRO Spotlight



Description

Spotlight LED for indoor use.

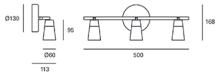
For downlighting. The optical module can easily be rotated 360°. Structure material: Steel. Structure finish: Satin nickel, Chrome. Warranty: 5 Years.



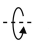


Finish

Satin nickel
Chrome

Material

Steel



 IP20  28°  355°  ±90°  12

TECHNICAL CHARACTERISTICS

Light source

Light source: LED LEPOWER
Output (W): 15W
Color temperature: Warm White - 3000K
CRI: 80
Real Lumen: 1346
Nominal Lumen: 2100
Qty Leds: 3
Lm/Real W: 90
Bin / Grup: NO
UGR: 17.2

GEAR

Brand: AOKEA
Gear included: Yes, electronic
Voltage / Frequency:
100-240VAC/50-60Hz

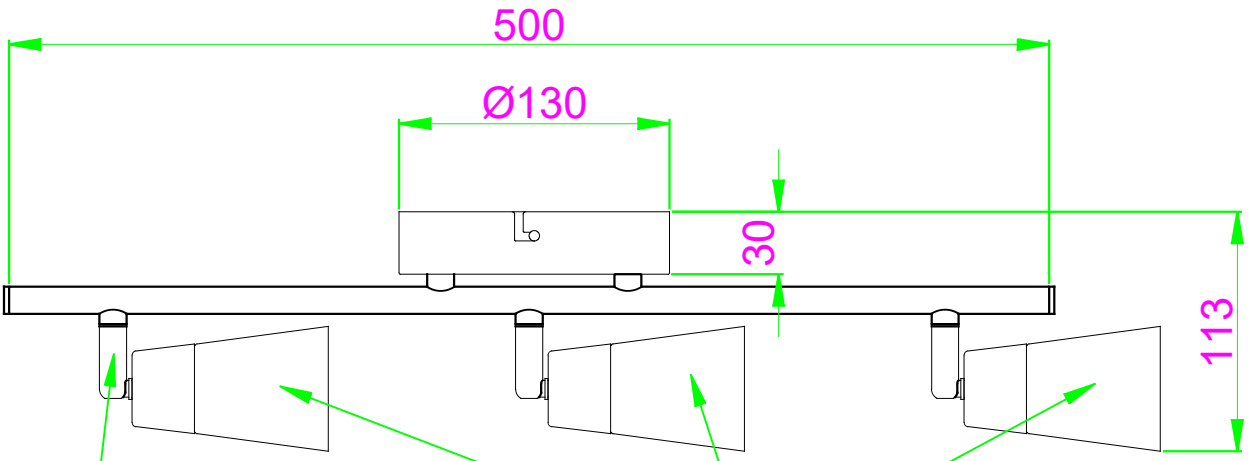
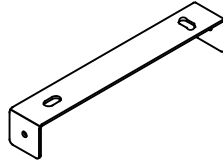
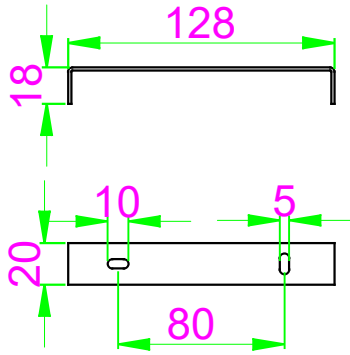
Luminaire

Warranty: 5 Years

Logistics

Energy Efficiency: LED A++
EAN Code: 8435381449445
Net Weight (Kg): 1.060
Weight in Kg (packaged): 1.295
Packing: 140 x 130 x 520
Masterbox: 12

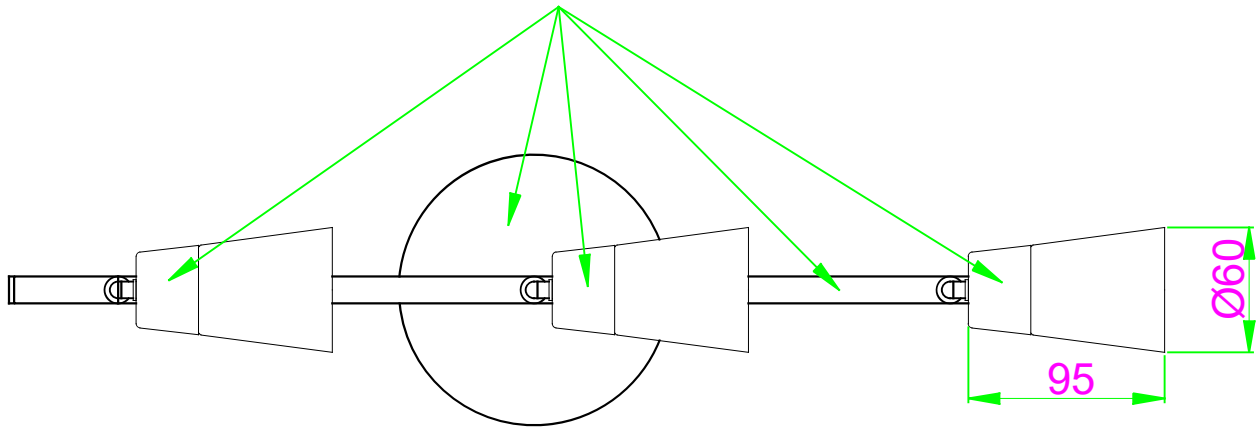
The photograph may not match the reference exactly. Please read the product description to identify the finish.



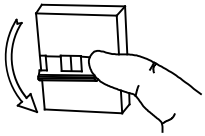
COPPER / CHROME

IRON / SATIN NICKEL

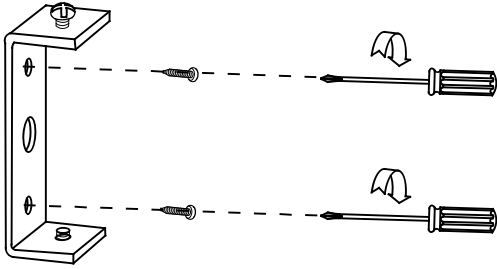
IRON / CHROME



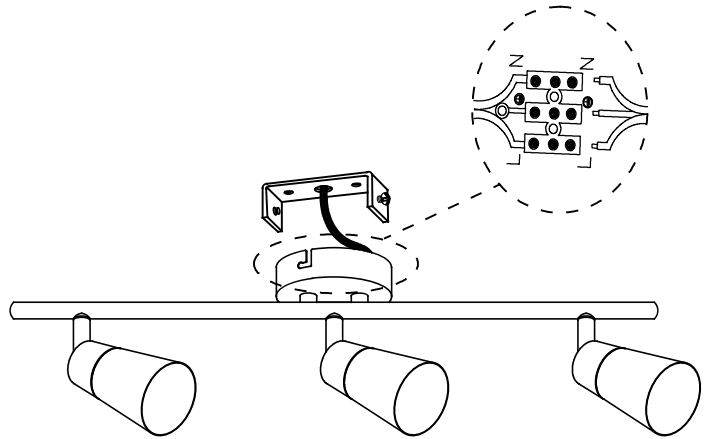
1



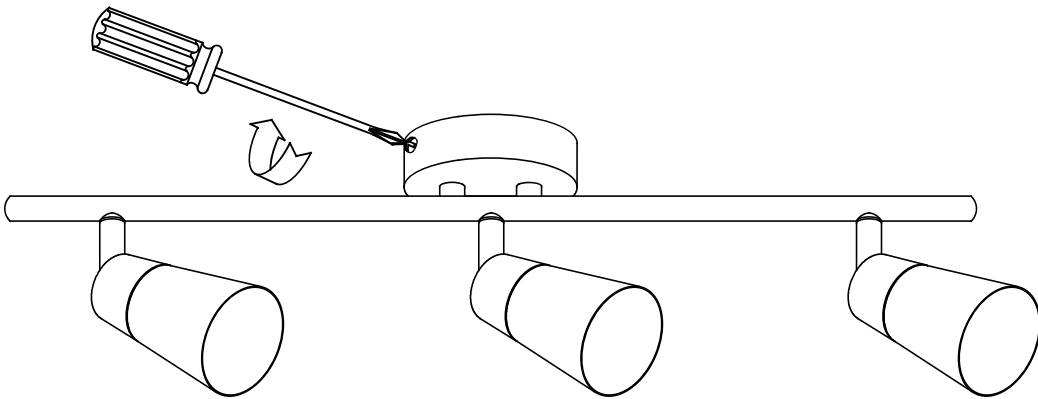
OFF



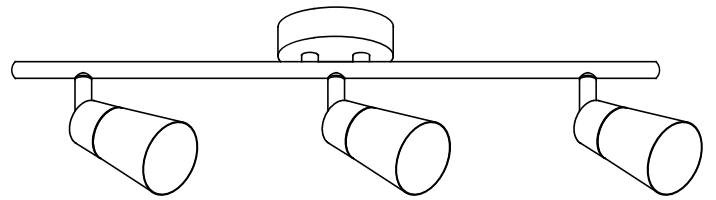
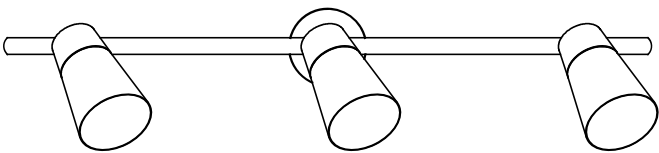
2



3



4



ON

