




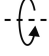

Keeper Triplex

DE-0481-BLA

Spotlight IP20 Keeper Triplex GU10 7W Blanco

TECHNICAL FEATURES



IP20   355°  90°

Power (W) : Max. power 7W

Voltage / frequency : 100-240V/50-60Hz

Total power consumption of light (W) : 21W

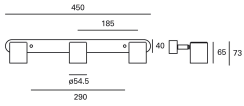
Warranty : 5 Years

Structure material : Steel

Structure finish : Blanco

Max. size of light bulb : 64/50 mm

Recommended light bulb : GU10



LUMINOTECHNIC FEATURES

Lampholder: 3 x GU10

VENTILATION FEATURES

Power used: 21W

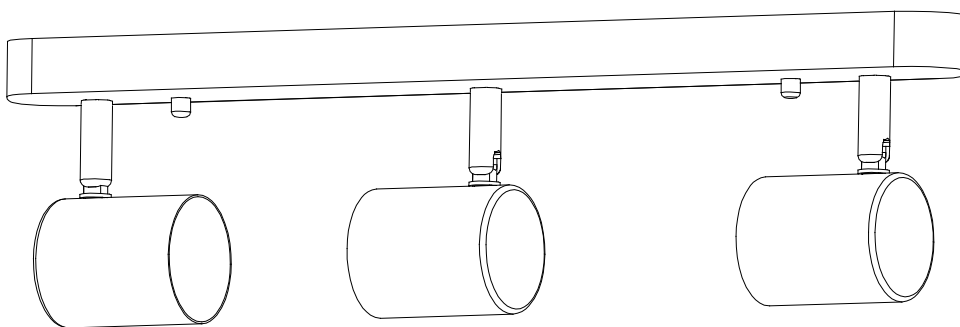
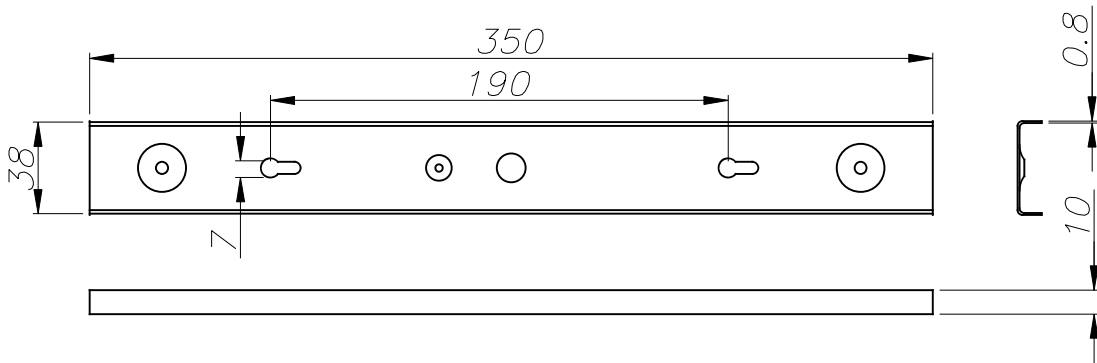
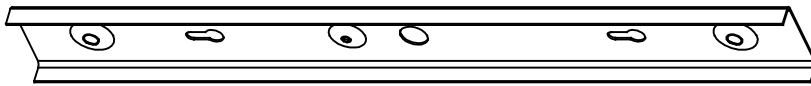
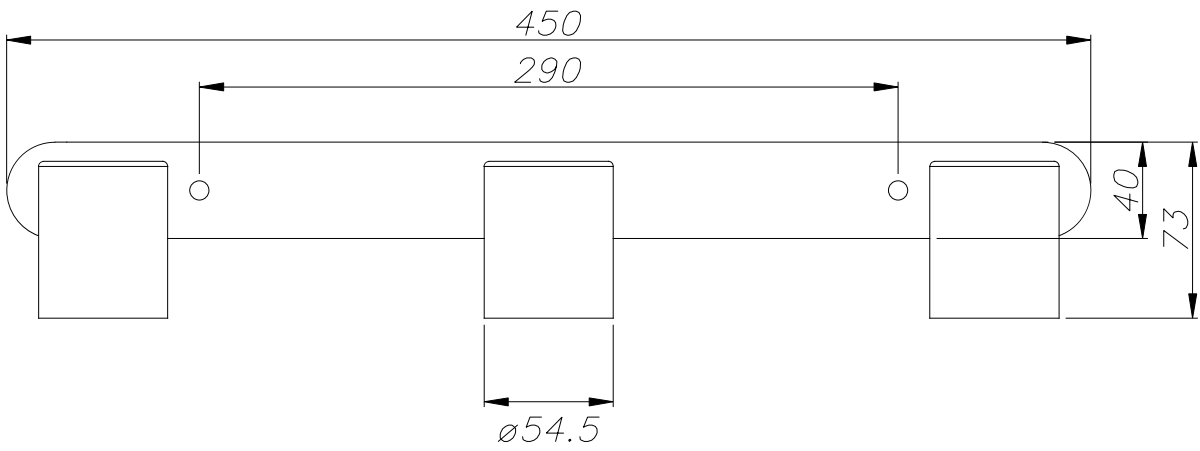
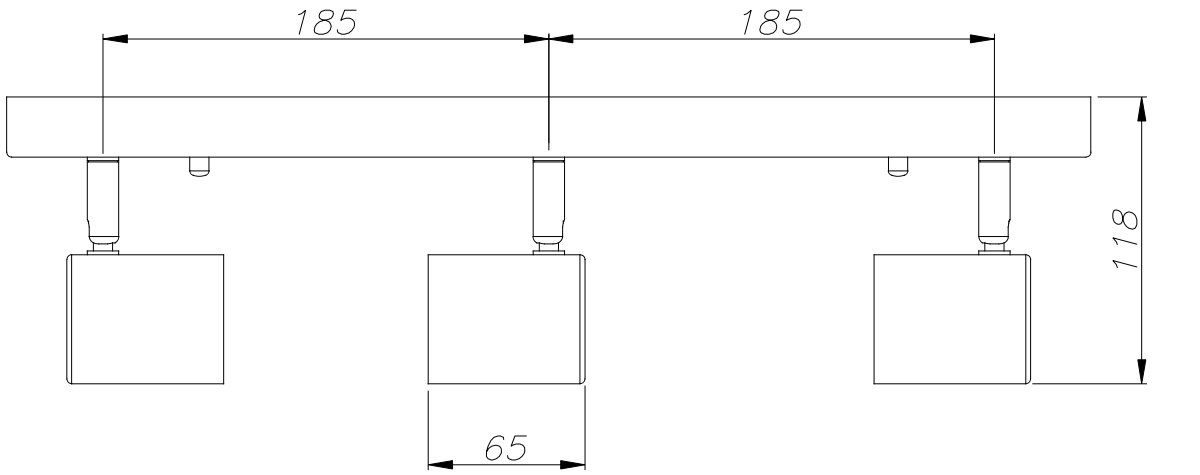
Service value measurement standard: EN 60879:2019

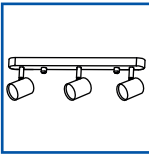
LOGISTICS

Net weight (kg): 0.74

Packaged weight (kg): 0.92

 12 Un

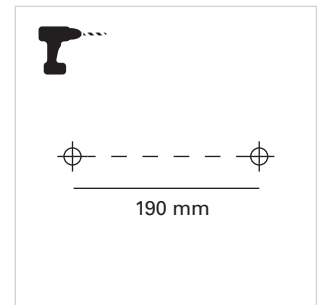
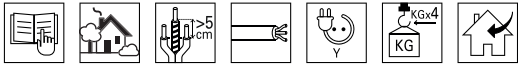




Keeper

DE-0481

FOR
LIGHT



1

2

3

4

5

6

