

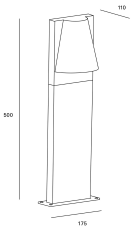


## Kala 500mm

Francesc Vilaró

## PX-0102-ANT

Bollard IP44 Kala 500mm GU10 7W Urban grey



### TECHNICAL FEATURES

IP44



Power (W) : Max. power 7W

Total power consumption of light (W) : 7W

Structure material : Aluminium

Structure finish : Urban grey

Diffuser material : Glass

Diffuser finish : Semitransparent

Max. size of light bulb : 55/ø50 mm

Recommended light bulb : GU10

Voltage / frequency : 100-240V/50-60Hz

Warranty : 5 Years

Resistant to marine environments : No

### LUMINOTECHNIC FEATURES

Lampholder: 1 x GU10

### VENTILATION FEATURES

Power used: 7W

Service value measurement standard: EN 60879:2019

### LOGISTICS

Net weight (kg): 1.44

Packaged weight (kg): 1.78

Packaging: 540mm x 130mm x 185mm



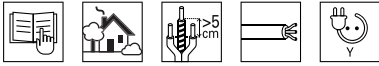
4 Un



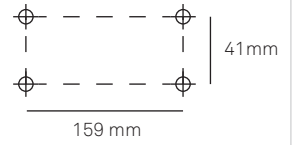
# Kala

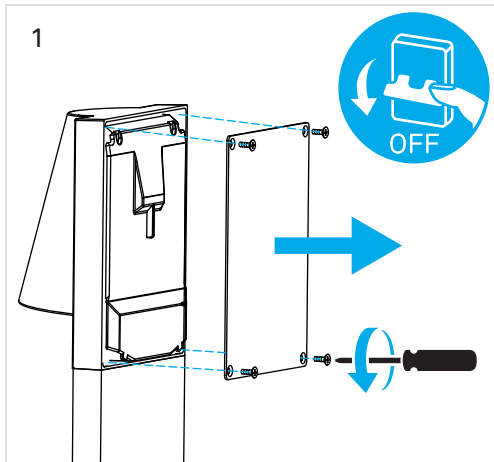
PX-0102 PX-0103

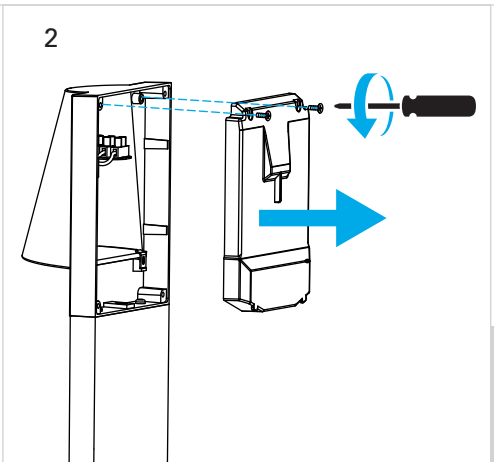
FOR  
LIGHT

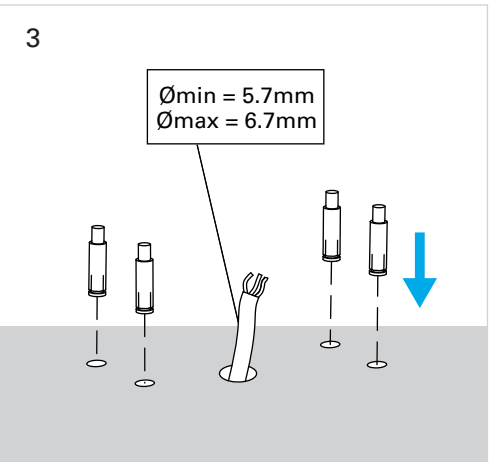


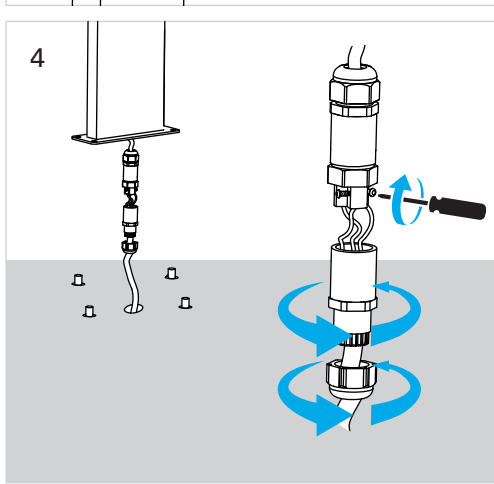
ø12

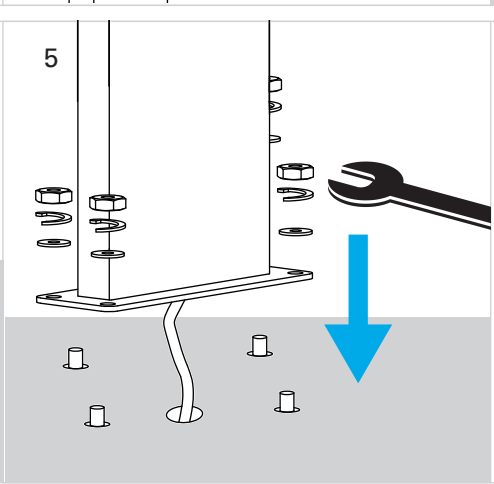


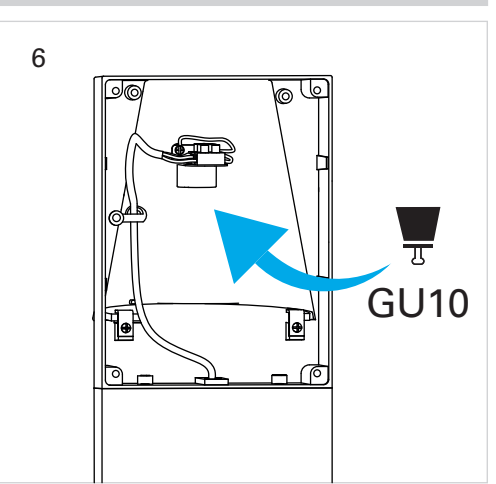
1 

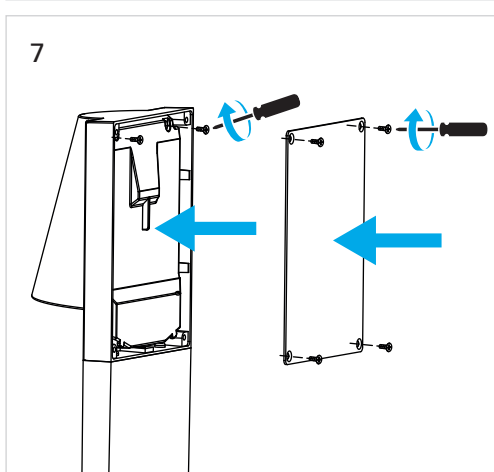
2 

3 

4 

5 

6 

7 

8 