



Indoo

LedsC4 Team

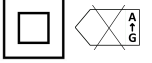
PX-0134-NEG

Bollard IP44 Indoo E27 15W Black



TECHNICAL FEATURES

IP44 IK10



Luminaire total power : 15W

Structure material : Polycarbonate

Structure finish : Black

Diffuser material : Polycarbonate

Diffuser finish : Opal white

Max. size of light bulb : 120/65 mm

Recommended light bulb : E27

Voltage / frequency : 100-240V ~ 50/60Hz

Warranty : 5 Years

Resistant to marine environments : Yes

LUMINOTECHNIC FEATURES

Lampholder	Quantity	Light source power (W)	Correlated Colour Temperature (CCT)
E27	1	Max. power 15W	-

LOGISTICS

Net weight (kg): 1.15

Packaged weight (kg): 1.48

Packaging: 720mm x 180mm x 180mm







Luminaria

Código PX-0134-NEG
Nombre INDOO

Ensayo

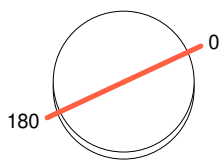
Código PX-0134-NEG
Nombre INDOO

Flujo Luminaria	595 lm	Potencia Luminaria	7.4 W	Eficacia	80.248 lm/W	Eficiencia	69.84%
Flujo Fuente	851 lm	Valor Máximo	73.57 cd/klm	Posición	C=0.00 G=90.00	CG	Rotosimétrico
Luminaria Redonda		Diam.	90 mm	Altura	700 mm		
Área Luminosa Redonda		Diam.	90 mm	Altura	125 mm		
Área Luminosa Horizontal		0.006362 m2		Área Emisión sobre Pl. 180°		0.011250 m2	
Área Emisión sobre Pl. 0°		0.011250 m2		Área Emisión sobre Pl. 270°		0.011250 m2	
Área Emisión sobre Pl. 90°		0.011250 m2		Área de deslumbramiento a 76°		0.012455 m2	
Sist. de Coorden.		CG		Tipo de Simetría		Rotosimétrico	
Fecha		27-04-2022		Máximo Ángulo Gamma		180	
Distancia de Ensayo		0.00		Flujo de Ensayo		851 lm	
Operador		qualitat		Tensión Nominal			
Temperatura				Corriente Nominal			
Humedad				Fotocélula			
Notas							

Fuentes de luz de la Luminaria

Familia	Código	Nombre	Flujo [lm]	Pot. [W]	Cant.
	Philips E27 Corepro LED Bulb	7.41W 851.39lm	851.39	7.41	1
C.I.E.	13 37 67 50 70		D DIN 5040	C11	
F UTE	--		B NBN	BZ 10	

Diam=90mm



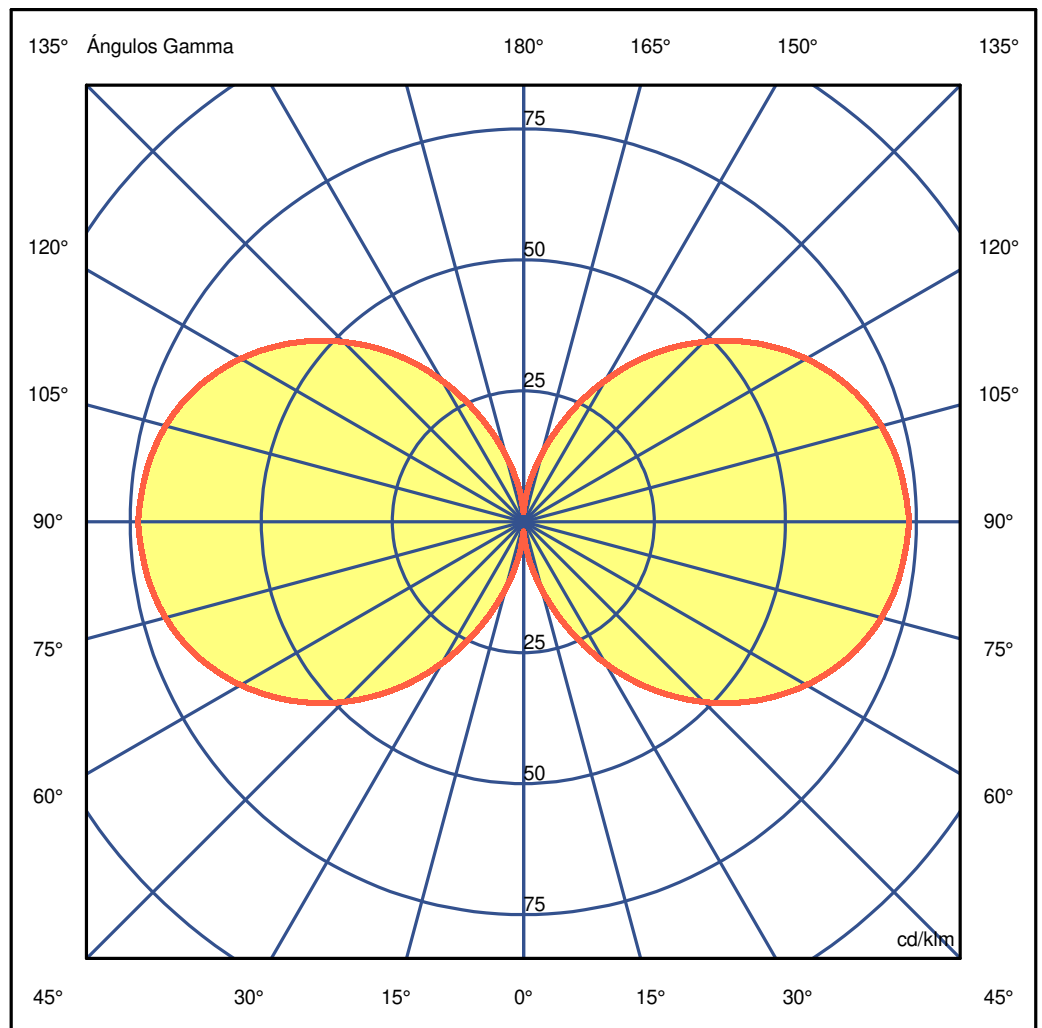
Semiplanos C

180.0 — 0.0

ULOR 34.92 %

DLOR 34.92 %

RN 50.00 %





Luminaria

Código PX-0134-NEG

Nombre INDOO

Ensayo

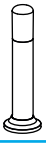
Código PX-0134-NEG

Nombre INDOO

Flujo Luminaria	595 lm	Potencia Luminaria	7.4 W	Eficacia	80.248 lm/W	Eficiencia	69.84%
Flujo Fuente	851 lm	Valor Máximo	73.57 cd/klm	Posición	C=0.00 G=90.00	CG	Rotosimétrico

Tabla de Intensidad Luminosa cd/klm Tabla 1/1

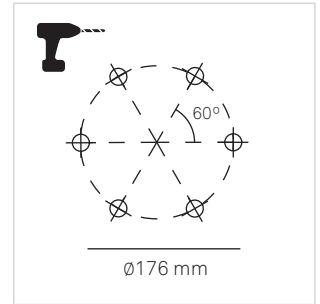
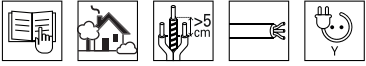
C 0.00		C 0.00		C 0.00		C 0.00	
G 0.0	1.78	G 46.0	49.65	G 92.0	73.35	G 138.0	45.39
G 1.0	1.88	G 47.0	50.67	G 93.0	73.24	G 139.0	44.28
G 2.0	2.28	G 48.0	51.68	G 94.0	73.12	G 140.0	43.16
G 3.0	2.91	G 49.0	52.67	G 95.0	72.97	G 141.0	42.03
G 4.0	3.63	G 50.0	53.66	G 96.0	72.82	G 142.0	40.88
G 5.0	4.39	G 51.0	54.62	G 97.0	72.67	G 143.0	39.71
G 6.0	5.17	G 52.0	55.55	G 98.0	72.52	G 144.0	38.53
G 7.0	5.98	G 53.0	56.47	G 99.0	72.35	G 145.0	37.34
G 8.0	6.80	G 54.0	57.36	G 100.0	72.14	G 146.0	36.13
G 9.0	7.64	G 55.0	58.24	G 101.0	71.90	G 147.0	34.90
G 10.0	8.50	G 56.0	59.09	G 102.0	71.64	G 148.0	33.66
G 11.0	9.39	G 57.0	59.93	G 103.0	71.35	G 149.0	32.42
G 12.0	10.31	G 58.0	60.74	G 104.0	71.03	G 150.0	31.17
G 13.0	11.26	G 59.0	61.53	G 105.0	70.68	G 151.0	29.91
G 14.0	12.25	G 60.0	62.30	G 106.0	70.31	G 152.0	28.66
G 15.0	13.27	G 61.0	63.04	G 107.0	69.92	G 153.0	27.40
G 16.0	14.32	G 62.0	63.76	G 108.0	69.51	G 154.0	26.14
G 17.0	15.40	G 63.0	64.45	G 109.0	69.06	G 155.0	24.89
G 18.0	16.51	G 64.0	65.11	G 110.0	68.58	G 156.0	23.64
G 19.0	17.65	G 65.0	65.75	G 111.0	68.08	G 157.0	22.41
G 20.0	18.81	G 66.0	66.37	G 112.0	67.54	G 158.0	21.19
G 21.0	19.99	G 67.0	66.96	G 113.0	66.96	G 159.0	19.99
G 22.0	21.19	G 68.0	67.54	G 114.0	66.37	G 160.0	18.81
G 23.0	22.41	G 69.0	68.08	G 115.0	65.75	G 161.0	17.65
G 24.0	23.64	G 70.0	68.58	G 116.0	65.11	G 162.0	16.51
G 25.0	24.89	G 71.0	69.06	G 117.0	64.45	G 163.0	15.40
G 26.0	26.14	G 72.0	69.51	G 118.0	63.76	G 164.0	14.32
G 27.0	27.40	G 73.0	69.92	G 119.0	63.04	G 165.0	13.27
G 28.0	28.66	G 74.0	70.31	G 120.0	62.30	G 166.0	12.25
G 29.0	29.91	G 75.0	70.68	G 121.0	61.53	G 167.0	11.26
G 30.0	31.17	G 76.0	71.03	G 122.0	60.74	G 168.0	10.31
G 31.0	32.42	G 77.0	71.35	G 123.0	59.93	G 169.0	9.39
G 32.0	33.66	G 78.0	71.64	G 124.0	59.09	G 170.0	8.50
G 33.0	34.90	G 79.0	71.90	G 125.0	58.24	G 171.0	7.64
G 34.0	36.13	G 80.0	72.14	G 126.0	57.36	G 172.0	6.80
G 35.0	37.34	G 81.0	72.35	G 127.0	56.47	G 173.0	5.98
G 36.0	38.53	G 82.0	72.52	G 128.0	55.55	G 174.0	5.17
G 37.0	39.71	G 83.0	72.67	G 129.0	54.62	G 175.0	4.39
G 38.0	40.88	G 84.0	72.82	G 130.0	53.66	G 176.0	3.63
G 39.0	42.03	G 85.0	72.97	G 131.0	52.67	G 177.0	2.91
G 40.0	43.16	G 86.0	73.12	G 132.0	51.68	G 178.0	2.28
G 41.0	44.28	G 87.0	73.24	G 133.0	50.67	G 179.0	1.88
G 42.0	45.39	G 88.0	73.35	G 134.0	49.65	G 180.0	1.78
G 43.0	46.48	G 89.0	73.46	G 135.0	48.61		
G 44.0	47.56	G 90.0	73.57	G 136.0	47.56		
G 45.0	48.61	G 91.0	73.46	G 137.0	46.48		



Indoo

PX-0134

FOR
LIGHT



1. Turn the switch OFF. Remove the top cap and the mounting ring from the main body.

2. Attach the mounting ring to the ceiling. Tighten the screws with a screwdriver.

3. Connect the wiring to the terminal block. The terminal block is labeled L (Line) and N (Neutral).

4. Attach the mounting ring to the ceiling. Tighten the screws with a screwdriver.

5. Insert the main body into the mounting ring. Tighten the screws with a screwdriver.

6. Insert the E-27 light bulb into the main body.

7. Attach the top cap to the main body. Tighten the screws with a screwdriver.

8. Turn the switch ON. The light fixture is now installed and ready for use.

