

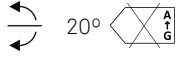


Mix Frame Ø94mm

TC-0303-BLA

Structure Mix Frame Ø94mm Aluminium White

TECHNICAL FEATURES

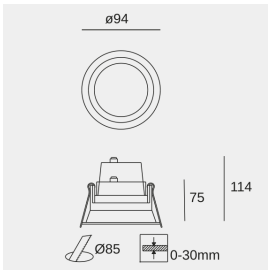


Structure material : Aluminium

Warranty : 5 Years

Structure finish : White

Easily recyclable luminaire



LUMINOTECHNIC FEATURES

Lampholder	Quantity	Light source power (W)	Correlated Colour Temperature (CCT)
-	1	-	-

LOGISTICS

Net weight (kg): 0.1

Packaged weight (kg): 0.15

Packaging: 110mm x 110mm x 65mm



50 Un

ø94



53





TC-0219-BLA

Structure material: Aluminium
Dimensions: 58 x 57 x NA
Net weight (kg): 0.16



TC-1700-BLA

Structure material: Aluminium
Dimensions: 58 x NA x 57
Net weight (kg): 0.16



TC-0304-BLA

Structure material: Aluminium
Dimensions: 80 x 162 x NA
Net weight (kg): 0.54



TC-0070-BLA

Structure material: Aluminium
Dimensions: 58 x NA x 57
Net weight (kg): 0.17



TC-0511-BLA

Structure material: Aluminium
Dimensions: 58 x 57 x NA
Net weight (kg): 0.2



TC-0071-BLA

Structure material: Aluminium
Dimensions: 58 x NA x 96
Net weight (kg): 0.32



TC-0422-BLA

Structure material: Aluminium
Dimensions: 58 x NA x 96
Net weight (kg): 0.31



TC-0471-BLA

Structure material: Aluminium
Dimensions: 58 x NA x 96
Net weight (kg): 0.33



TC-0366-BLA

Structure material: Aluminium
Dimensions: 58 x 17 x NA
Net weight (kg): 0.05



TC-0070-BLA

Structure material: Aluminium
Dimensions: 58 x NA x 57
Net weight (kg): 0.17



TC-0070-BLA

Structure material: Aluminium



TC-0071-BLA

Structure material: Aluminium

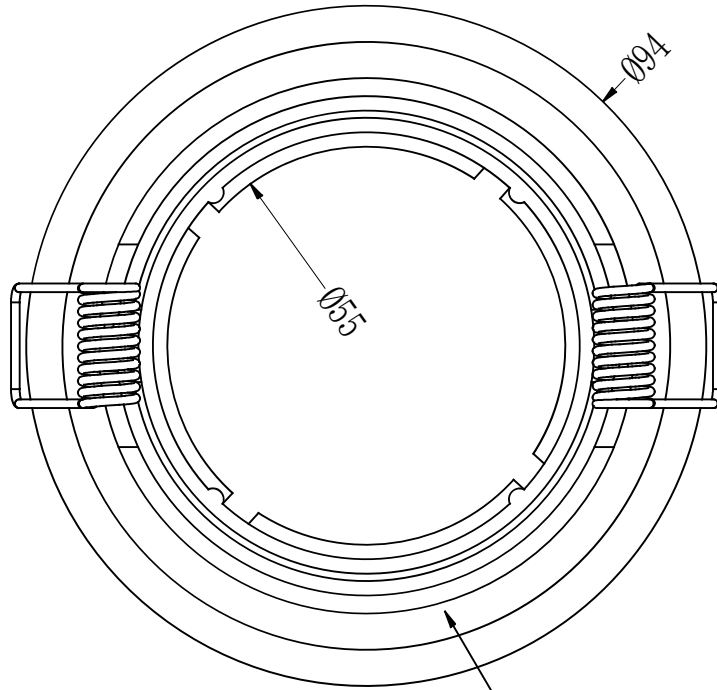
Dimensions: 58 x NA x 96

Net weight (kg): 0.32

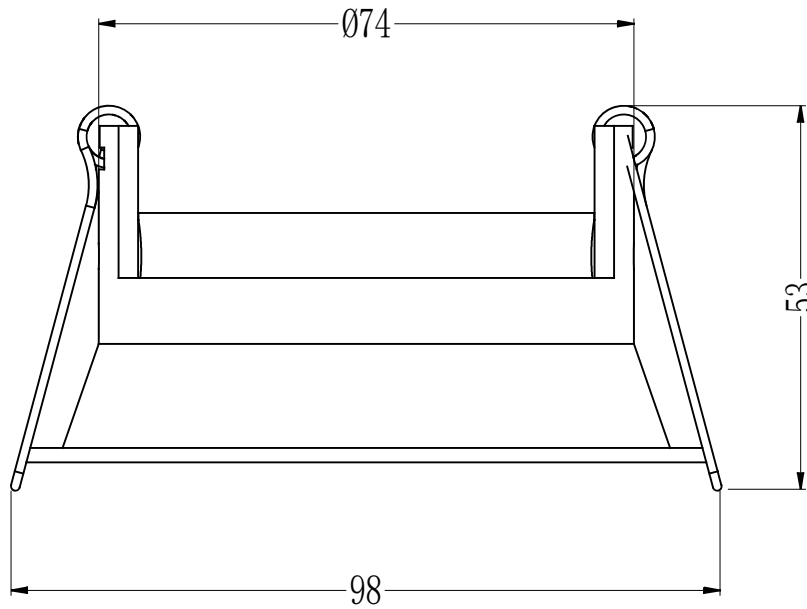


TC-0071-BLA

Structure material: Aluminium



ALUMINUM / WHITE





GU10

