



Bala Ø82mm

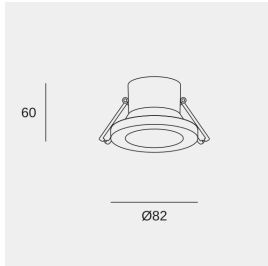
TC-0472-BLA

Recessed ceiling lights Bala Ø82mm LED 8.9W 3000K PHASE CUT White IN IP20 / OUT IP65 850.00

TECHNICAL FEATURES



IN IP20 / OUT IP65



Luminaire total power : 8.9W

Real lumens : 676

Nominal lumens : 850

Real lm/W : 76

Lens / reflector angle : FLOOD 56°

Structure material : Aluminium

Structure finish : White

Diffuser material : Polycarbonate

Diffuser finish : Transparent

Voltage / frequency : 220-240V/50-60Hz

Dimming protocol : PHASE CUT

Power Factor : 0.90

Useful life : 36.000h L70B30

Warranty : 5 Years

Easily recyclable luminaire



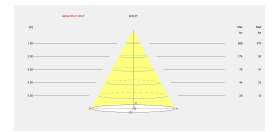
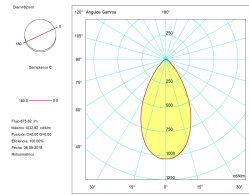
LUMINOTECHNIC FEATURES

CRI: 80

MacAdam steps: 3

Photobiological risk: RG0

Lampholder	Quantity	Light source power (W)	Correlated Colour Temperature (CCT)
LED	1	7.6W	3000K



LOGISTICS

Net weight (kg): 0.2

Packaged weight (kg): 0.27

Packaging: 110mm x 110mm x 80mm





DIMMER COMPATIBILITY LIST

LTP09FE11

BG ELECTRICAL
MASTERPLUG
VARILIGHT BLAND

Luminaria

Código TC-0472-BLA

Nombre TC-0472-BLA

Ensayo

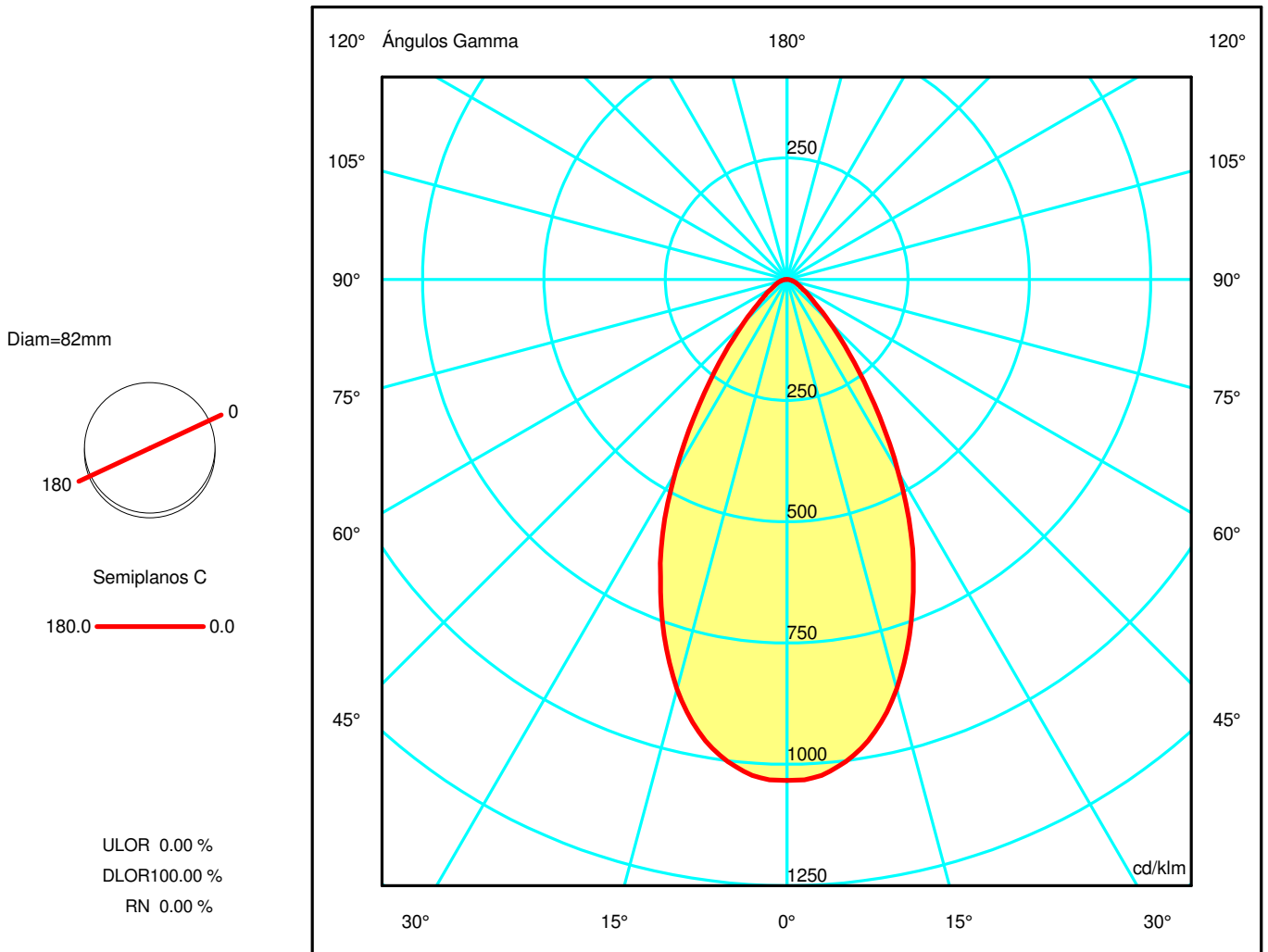
Código TC-0472-BLA

Nombre TC-0472-BLA

Flujo Luminaria	675.62 lm	Potencia luminaria	8.90 W	Eficacia	75.91 lm/W	Eficiencia	100.00%
Flujo de Lámpara	675.62 lm	Valor Máximo	1032.92 cd/klm	Posición	C=0.00 G=0.00	CG	Rotosimétrico
Luminaria Redonda		Diam.	82 mm	Altura	6 mm		
Área Luminosa Redonda		Diam.	45 mm	Altura	0 mm		
Área Luminosa Horizontal		0.001590 m2		Área Emisión sobre Pl. 180°		0.000000 m2	
Área Emisión sobre Pl. 0°		0.000000 m2		Área Emisión sobre Pl. 270°		0.000000 m2	
Área Emisión sobre Pl. 90°		0.000000 m2		Área de deslumbramiento a 76°		0.000385 m2	
Sist. de Coorden.		CG		Tipo de Simetría		Rotosimétrico	
Fecha		06-08-2018		Máximo Ángulo Gamma		90	
Distancia de Ensayo		0.00		Flujo de Ensayo		675.62 lm	
Operador		qualitat		Tensión de alimentación [V]			
Temperatura		25.00 °C		Corriente de alimentación [A]			
Humedad		60.00 %		Fotocélula			
Notas							

Lámparas de la Luminaria

Familia	Código	Nombre	Flujo [lm]	Pot. [W]	Cant.
	TC-0472-BLA	TC-0472-BLA	675.62	8.90	1
C.I.E.	83 96 99 100 100				
F UTE	1.00 B				
		D DIN 5040	A60		
		B NBN	BZ 1		



Luminaria

Código TC-0472-BLA

Nombre TC-0472-BLA

Ensayo

Código TC-0472-BLA

Nombre TC-0472-BLA

Flujo Luminaria	675.62 lm	Potencia luminaria	8.90 W	Eficacia	75.91 lm/W	Eficiencia	100.00%
Flujo de Lámpara	675.62 lm	Valor Máximo	1032.92 cd/klm	Posición	C=0.00 G=0.00	CG	Rotosimétrico

Tabla de Intensidad Luminosa cd/klm Tabla 1/1

	C 0.00	C 0.00	
G 0.0	1032.92	G 46.0	111.42
G 1.0	1032.72	G 47.0	100.24
G 2.0	1032.38	G 48.0	91.17
G 3.0	1028.99	G 49.0	82.26
G 4.0	1025.35	G 50.0	74.82
G 5.0	1017.98	G 51.0	68.84
G 6.0	1009.66	G 52.0	63.55
G 7.0	1001.18	G 53.0	59.08
G 8.0	990.62	G 54.0	55.15
G 9.0	978.98	G 55.0	51.02
G 10.0	965.74	G 56.0	47.28
G 11.0	950.20	G 57.0	43.33
G 12.0	933.43	G 58.0	39.41
G 13.0	915.37	G 59.0	36.35
G 14.0	894.93	G 60.0	33.87
G 15.0	874.03	G 61.0	31.76
G 16.0	850.71	G 62.0	29.81
G 17.0	826.46	G 63.0	28.16
G 18.0	801.69	G 64.0	26.39
G 19.0	776.60	G 65.0	25.15
G 20.0	749.66	G 66.0	23.96
G 21.0	721.53	G 67.0	22.76
G 22.0	694.81	G 68.0	21.57
G 23.0	666.40	G 69.0	20.32
G 24.0	640.48	G 70.0	19.07
G 25.0	613.01	G 71.0	17.82
G 26.0	583.44	G 72.0	16.61
G 27.0	553.74	G 73.0	15.41
G 28.0	522.70	G 74.0	14.30
G 29.0	490.40	G 75.0	13.20
G 30.0	459.05	G 76.0	12.05
G 31.0	429.36	G 77.0	10.89
G 32.0	399.06	G 78.0	9.73
G 33.0	370.02	G 79.0	8.50
G 34.0	342.06	G 80.0	7.27
G 35.0	314.37	G 81.0	6.03
G 36.0	288.86	G 82.0	4.90
G 37.0	264.95	G 83.0	3.88
G 38.0	241.46	G 84.0	2.97
G 39.0	220.80	G 85.0	2.13
G 40.0	201.08	G 86.0	1.48
G 41.0	182.76	G 87.0	0.95
G 42.0	166.24	G 88.0	0.60
G 43.0	150.62	G 89.0	0.35
G 44.0	136.44	G 90.0	0.15
G 45.0	123.32		

Luminaria

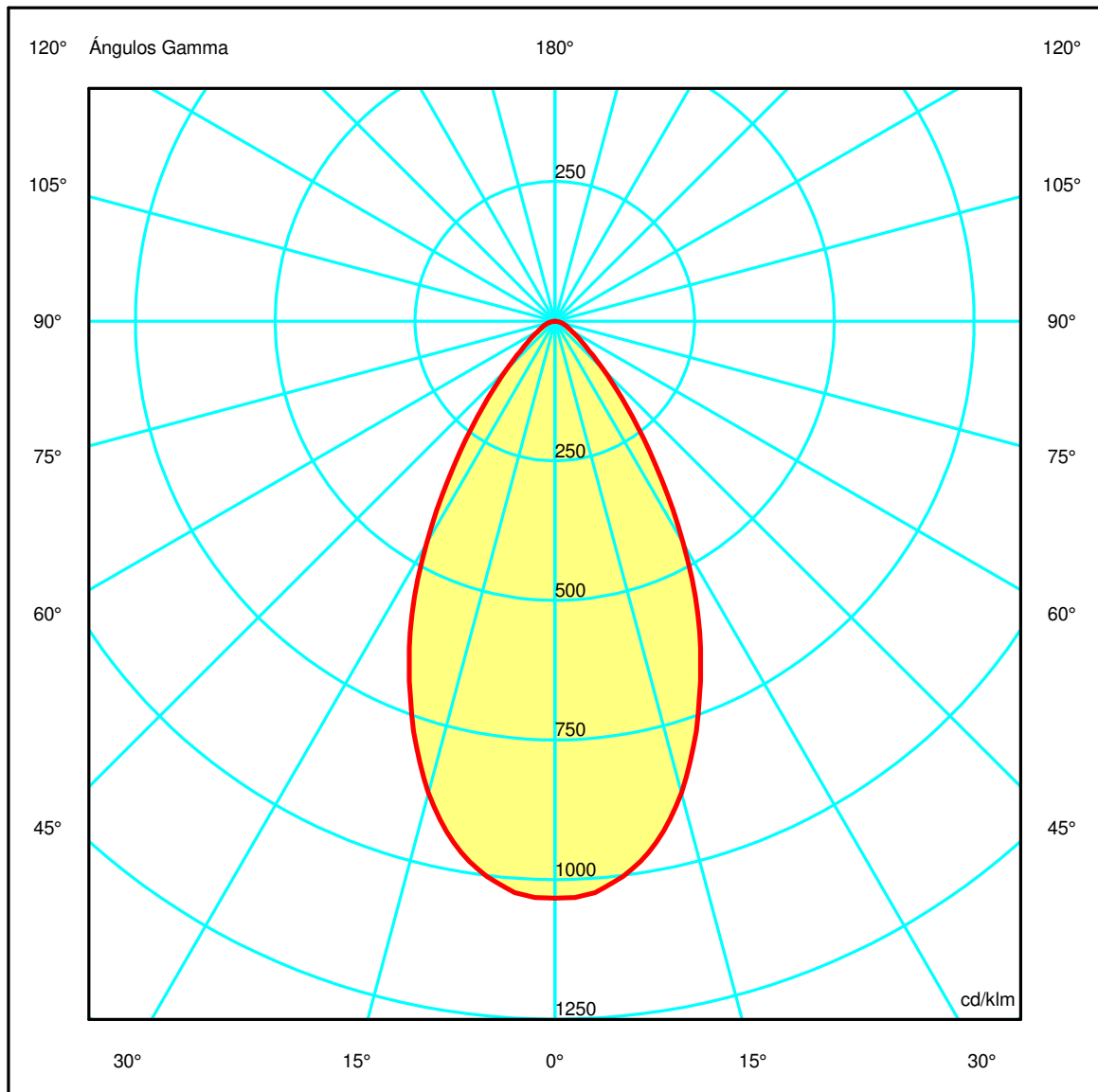
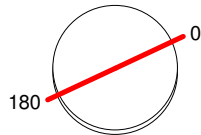
Código TC-0472-BLA
 Nombre TC-0472-BLA
Ensayo
 Código TC-0472-BLA
 Nombre TC-0472-BLA

Flujo Luminaria	675.62 lm	Potencia luminaria	8.90 W	Eficacia	75.91 lm/W	Eficiencia	100.00%
Flujo de Lámpara	675.62 lm	Valor Máximo	1032.92 cd/klm	Posición	C=0.00 G=0.00	CG	Rotosimétrico

Diam=82mm

Semiplanos C

180.0 0.0

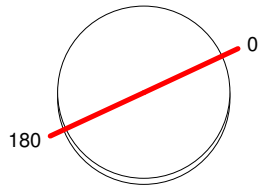


Luminaria
 Código TC-0472-BLA
 Nombre TC-0472-BLA
Ensayo
 Código TC-0472-BLA
 Nombre TC-0472-BLA

Flujo Luminaria	675.62 lm	Potencia luminaria	8.90 W	Eficacia	75.91 lm/W	Eficiencia	100.00%
Flujo de Lámpara	675.62 lm	Valor Máximo	1032.92 cd/klm	Posición	C=0.00 G=0.00	CG	Rotosimétrico

Diam=82mm

Semiplanos C



180.0  0.0



Luminaria

Código TC-0472-BLA

Nombre TC-0472-BLA

Ensayo

Código TC-0472-BLA

Nombre TC-0472-BLA

Flujo Luminaria	675.62 lm	Potencia luminaria	8.90 W	Eficacia	75.91 lm/W	Eficiencia	100.00%
Flujo de Lámpara	675.62 lm	Valor Máximo	1032.92 cd/klm	Posición	C=0.00 G=0.00	CG	Rotosimétrico

UGR
S = 0.250

Reflectancias										
Ceiling/Cavity	0.7	0.7	0.5	0.5	0.3	0.7	0.7	0.5	0.5	0.3
Walls	0.5	0.3	0.5	0.3	0.3	0.5	0.3	0.5	0.3	0.3
WorkingPlane	0.2	0.2	0.2	0.2	0.2	0.2	0.2	0.2	0.2	0.2
RoomDimensions	Viewed Crosswise					Viewed Endwise				
x=2H y=2H	23.2	24.1	23.5	24.3	24.5	23.2	24.1	23.5	24.3	24.5
x=2H y=3H	23.6	24.4	23.9	24.6	24.9	23.6	24.4	23.9	24.6	24.9
x=2H y=4H	23.9	24.6	24.2	24.8	25.1	23.9	24.6	24.2	24.8	25.1
x=2H y=6H	24.0	24.6	24.3	24.9	25.2	24.0	24.6	24.3	24.9	25.2
x=2H y=8H	24.0	24.6	24.4	25.0	25.2	24.0	24.6	24.4	25.0	25.2
x=2H y=12H	24.0	24.6	24.4	24.9	25.2	24.0	24.6	24.4	24.9	25.2
x=4H y=2H	23.4	24.1	23.7	24.3	24.6	23.4	24.1	23.7	24.3	24.6
x=4H y=3H	23.9	24.5	24.3	24.8	25.2	23.9	24.5	24.3	24.8	25.2
x=4H y=4H	24.3	24.8	24.6	25.1	25.5	24.3	24.8	24.6	25.1	25.5
x=4H y=6H	24.5	24.9	24.9	25.3	25.7	24.5	24.9	24.9	25.3	25.7
x=4H y=8H	24.6	25.0	25.0	25.3	25.7	24.6	25.0	25.0	25.3	25.7
x=4H y=12H	24.6	24.9	25.0	25.3	25.7	24.6	24.9	25.0	25.3	25.7
x=8H y=4H	24.4	24.8	24.8	25.2	25.6	24.4	24.8	24.8	25.2	25.6
x=8H y=6H	24.7	25.0	25.1	25.4	25.9	24.7	25.0	25.1	25.4	25.9
x=8H y=8H	24.8	25.0	25.2	25.5	26.0	24.8	25.0	25.2	25.5	26.0
x=8H y=12H	24.8	25.0	25.3	25.5	26.0	24.8	25.0	25.3	25.5	26.0
x=12H y=4H	24.4	24.7	24.8	25.1	25.5	24.4	24.7	24.8	25.1	25.5
x=12H y=6H	24.7	25.0	25.2	25.4	25.9	24.7	25.0	25.2	25.4	25.9
x=12H y=8H	24.8	25.0	25.3	25.5	26.0	24.8	25.0	25.3	25.5	26.0

Luminaria

Código TC-0472-BLA
 Nombre TC-0472-BLA
 Ensayo
 Código TC-0472-BLA
 Nombre TC-0472-BLA

Flujo Luminaria	675.62 lm	Potencia luminaria	8.90 W	Eficacia	75.91 lm/W	Eficiencia	100.00%
Flujo de Lámpara	675.62 lm	Valor Máximo	1032.92 cd/klm	Posición	C=0.00 G=0.00	CG	Rotosimétrico

Flujo Total=675.62 Flujo Luminaria=675.62

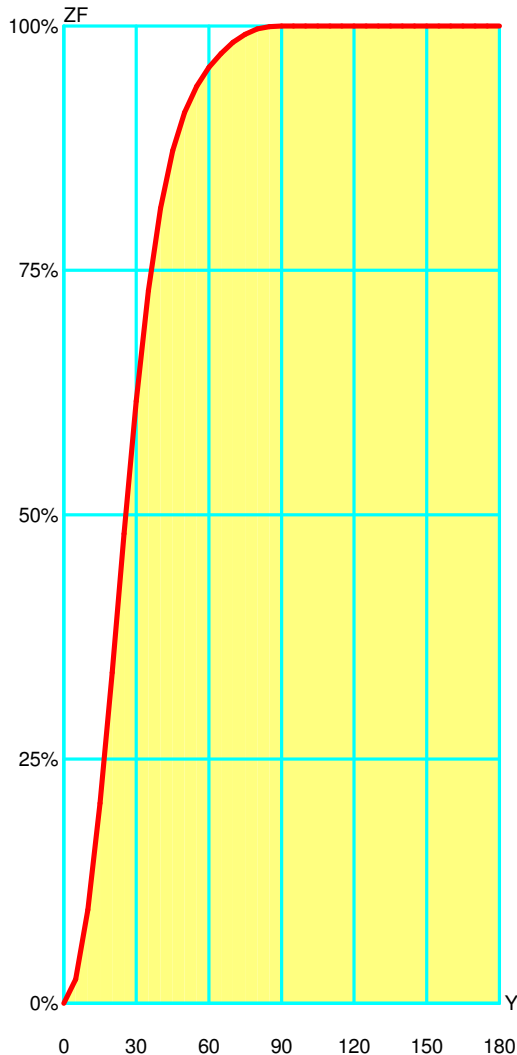
RI	0.60	0.80	1.00	1.25	1.50	2.00	2.50	3.00	4.00	5.00	10.00	20.00
DRR	0.60	0.66	0.72	0.77	0.80	0.86	0.90	0.92	0.95	0.96	0.99	1.00
RC	-	-	-	-	-	-	-	-	-	-	-	-

Flujo Zonal por 1000 Lúmenes

Y°	10	20	30	40	50	60	70	80	90	100	110	120	130	140	150	160	170	180
ZF(Y)	96	338	616	814	912	958	983	997	1000	1000	1000	1000	1000	1000	1000	1000	1000	1000

 Códigos de Flujo C.I.E.
 83 96 99 100 100

C.I.E.	-/-/-/-/-/-/-/-/-/-	LOR	100.00000 %
D DIN 5040	A60	ULOR	0.00000 %
F UTE	1.00 B	DLOR	100.00000 %
B NBN	BZ 1	UFF	0.00000 %
RN	0.00000 %	DFF	100.00000 %
BLF	1.0	FFR	0.00000 %



Flujo Zonal				
Gamma °	Flujo	Suma lm	Flujo [%]	Suma [%]
0°	0.00	0.00	0.00%	0.00 %
5°	24.55	24.55	2.45 %	2.45 %
10°	70.95	95.50	7.10 %	9.55 %
15°	109.13	204.64	10.91 %	20.46 %
20°	133.63	338.26	13.36 %	33.83 %
25°	142.35	480.61	14.23 %	48.06 %
30°	135.46	616.07	13.55 %	61.61 %
35°	113.05	729.12	11.30 %	72.91 %
40°	84.66	813.78	8.47 %	81.38 %
45°	58.90	872.68	5.89 %	87.27 %
50°	39.01	911.69	3.90 %	91.17 %
55°	26.87	938.56	2.69 %	93.86 %
60°	19.27	957.83	1.93 %	95.78 %
65°	14.15	971.98	1.41 %	97.20 %
70°	11.21	983.18	1.12 %	98.32 %
75°	8.39	991.57	0.84 %	99.16 %
80°	5.50	997.06	0.55 %	99.71 %
85°	2.44	999.51	0.24 %	99.95 %
90°	0.49	1000.00	0.05 %	100.00 %
95°	0.00	1000.00	0.00 %	100.00 %
100°	0.00	1000.00	0.00 %	100.00 %
105°	0.00	1000.00	0.00 %	100.00 %
110°	0.00	1000.00	0.00 %	100.00 %
115°	0.00	1000.00	0.00 %	100.00 %
120°	0.00	1000.00	0.00 %	100.00 %
125°	0.00	1000.00	0.00 %	100.00 %
130°	0.00	1000.00	0.00 %	100.00 %
135°	0.00	1000.00	0.00 %	100.00 %
140°	0.00	1000.00	0.00 %	100.00 %
145°	0.00	1000.00	0.00 %	100.00 %
150°	0.00	1000.00	0.00 %	100.00 %
155°	0.00	1000.00	0.00 %	100.00 %
160°	0.00	1000.00	0.00 %	100.00 %
165°	0.00	1000.00	0.00 %	100.00 %
170°	0.00	1000.00	0.00 %	100.00 %
175°	0.00	1000.00	0.00 %	100.00 %
180°	0.00	1000.00	0.00 %	100.00 %



Luminaria
 Código TC-0472-BLA
 Nombre TC-0472-BLA
Ensayo
 Código TC-0472-BLA
 Nombre TC-0472-BLA

Flujo Luminaria	675.62 lm	Potencia luminaria	8.90 W	Eficacia	75.91 lm/W	Eficiencia	100.00%
Flujo de Lámpara	675.62 lm	Valor Máximo	1032.92 cd/klm	Posición	C=0.00 G=0.00	CG	Rotosimétrico

Utilización CIE

Montaje	Directo	Normalización										Normalizados					Raz. de Susp. 1/3					CIE Estándar				
Techo																										
K	8873	8773	8871	8771	7773	7771	7753	7553	7751	7551	7731	7331	7711	7111	5551	5531	5331	5511	5111	3331	3311	1111	0000			
0.60	178	160	115	104	153	99	99	84	62	53	36	27	18	12	49	29	26	14	11	24	12	10	0			
0.80	211	194	124	114	184	109	128	112	72	63	45	36	25	18	59	37	34	21	17	32	18	16	0			
1.00	234	217	124	116	207	111	152	135	77	69	51	42	31	24	65	44	40	27	23	38	24	21	0			
1.25	255	240	124	117	229	113	176	160	82	75	58	49	39	31	70	50	47	34	30	45	30	27	0			
1.50	272	258	123	117	246	113	197	181	85	79	63	55	45	37	74	56	52	40	36	50	36	33	0			
2.00	293	282	117	113	269	110	227	212	88	83	70	63	55	47	79	63	60	50	46	58	46	42	0			
2.50	308	298	113	110	285	107	248	235	90	86	75	69	63	55	82	69	66	58	53	63	53	50	0			
3.00	318	310	110	108	296	105	265	252	91	87	79	73	68	61	83	73	70	64	59	68	59	56	0			
4.00	334	327	108	107	313	104	288	277	94	91	85	80	76	70	87	79	77	72	68	74	68	64	0			
5.00	344	338	107	106	324	104	303	294	96	93	88	84	82	76	90	83	82	77	74	79	73	70	0			
10.00	366	363	105	105	349	103	338	333	100	99	97	94	94	91	96	93	92	90	88	89	87	84	0			
20.00	379	377	105	104	362	103	358	355	102	101	101	100	101	99	99	98	98	98	97	95	95	92	0			

Pared																							
K	8873	8773	8871	8771	7773	7771	7753	7553	7751	7551	7731	7331	7711	7111	5551	5531	5331	5511	5111	3331	3311	1111	0000
0.60	337	328	258	252	322	249	254	247	201	197	168	165	145	143	195	165	164	144	143	163	143	142	120
0.80	375	364	274	269	356	265	290	282	221	217	190	185	166	163	214	186	184	164	163	183	163	161	136
1.00	394	383	275	271	373	266	311	302	227	223	198	194	176	173	219	194	192	173	172	190	171	170	141
1.25	412	402	276	272	390	267	333	322	233	229	207	202	186	182	224	201	199	183	181	197	180	178	146
1.50	425	415	275	272	401	266	348	338	236	233	213	208	193	189	227	206	204	189	187	201	186	183	148
2.00	429	420	258	256	403	250	359	349	227	224	208	204	192	187	217	201	199	187	184	195	182	178	140
2.50	427	419	242	240	400	234	363	353	216	213	201	196	187	182	206	192	191	181	178	185	175	171	130
3.00	421	414	225	223	393	218	361	351	203	200	190	186	179	174	192	181	180	172	169	174	166	160	117
4.00	420	415	211	210	392	204	366	357	193	191	183	180	174	170	182	174	172	166	164	166	159	153	107
5.00	418	413	201	199	389	194	367	360	185	183	177	174	170	166	174	167	166	161	159	158	153	146	99
10.00	390	387	153	152	359	146	348	343	143	142	139	137	136	133	131	128	128	126	124	118	116	107	56
20.00	320	319	73	73	289	67	284	281	66	65	65	64	64	62	54	53	53	53	52	43	42	32	0

P.Trab.																							
K	8873	8773	8871	8771	7773	7771	7753	7553	7751	7551	7731	7331	7711	7111	5551	5531	5331	5511	5111	3331	3311	1111	0000
0.60	811	800	756	750	794	746	711	704	684	680	642	639	612	610	677	639	638	611	610	637	610	609	598
0.80	891	879	821	814	869	809	787	777	750	745	709	704	677	674	741	704	702	675	673	700	673	672	661
1.00	957	945	872	866	931	860	854	843	807	802	768	763	738	734	796	761	759	734	732	756	731	729	718
1.25	1000	1000	914	909	985	901	912	900	855	849	819	812	790	785	842	810	808	785	782	804	781	778	767
1.50	1000	1000	943	938	1000	930	957	943	889	883	856	849	828	822	874	846	843	822	819	838	817	813	802
2.00	1000	1000	986	982	1000	973	1000	1000	941	936	914	907	891	884	925	902	900	883	879	892	875	869	860
2.50	1000	1000	1000	1000	1000	999	1000	1000	973	969	951	945	932	925	956	938	935	922	918	927	913	905	896
3.00	1000	1000	1000	1000	1000	1000	1000	1000	996	992	977	971	962	954	978	963	961	950	946	951	939	930	922
4.00	1000	1000	1000	1000	1000	1000	1000	1000	1000	1000	1000	1000	1000	1000	999	992	985	1000	989	986	978	974	966
5.00	1000	1000	1000	1000	1000	1000	1000	1000	1000	1000	1000	1000	1000	1000	1000	1000	1000	1000	995	992	988	981	969
10.00	1000	1000	1000	1000	1000	1000	1000	1000	1000	1000	1000	1000	1000	1000	1000	1000	1000	1000	1000	1000	1000	997	989
20.00	1000	1000	1000	1000	1000	1000	1000	1000	1000	1000	1000	1000	1000	1000	1000	1000	1000	1000	1000	1000	1000	1000	1000

LM53 SHR C0-C180: 0.849 SHR C90-C270: 0.849 SHR Superficial: 0.869

Luminaria

 Código TC-0472-BLA
 Nombre TC-0472-BLA

Ensayo

 Código TC-0472-BLA
 Nombre TC-0472-BLA

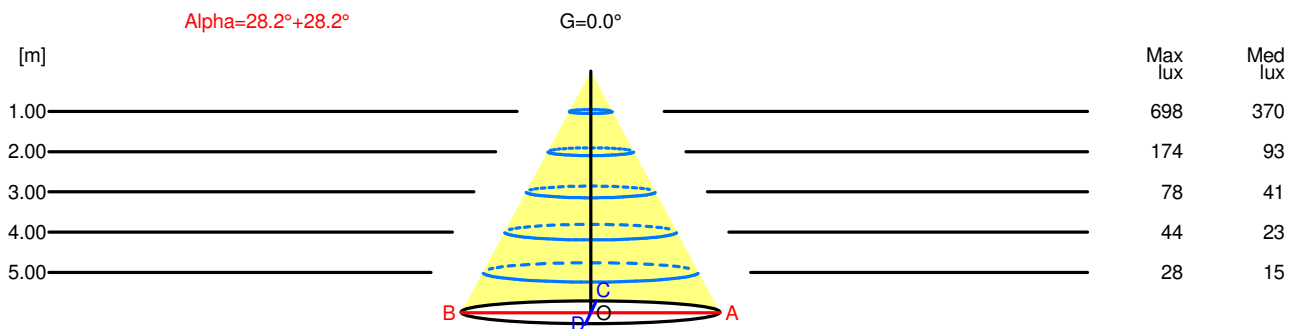
Flujo Luminaria	675.62 lm	Potencia luminaria	8.90 W	Eficacia	75.91 lm/W	Eficiencia	100.00%
Flujo de Lámpara	675.62 lm	Valor Máximo	1032.92 cd/klm	Posición	C=0.00 G=0.00	CG	Rotosimétrico

Apertura a 50.00 % de Max Intensidad

H[m]	1.00	2.00	3.00	4.00	5.00	H[m]	1.00	2.00	3.00	4.00	5.00
OA	0.54	1.07	1.61	2.14	2.68	OC	0.54	1.07	1.61	2.14	2.68
OB	0.54	1.07	1.61	2.14	2.68	OD	0.54	1.07	1.61	2.14	2.68

Intensidades Luminosas [cd/klm]

	0	5	15	25	35	45	55	65	75	85
OA	697.86	687.77	590.52	414.16	212.39	83.31	34.47	16.99	8.92	1.44
OB	697.86	687.77	590.52	414.16	212.39	83.31	34.47	16.99	8.92	1.44
OC	697.86	687.77	590.52	414.16	212.39	83.31	34.47	16.99	8.92	1.44
OD	697.86	687.77	590.52	414.16	212.39	83.31	34.47	16.99	8.92	1.44



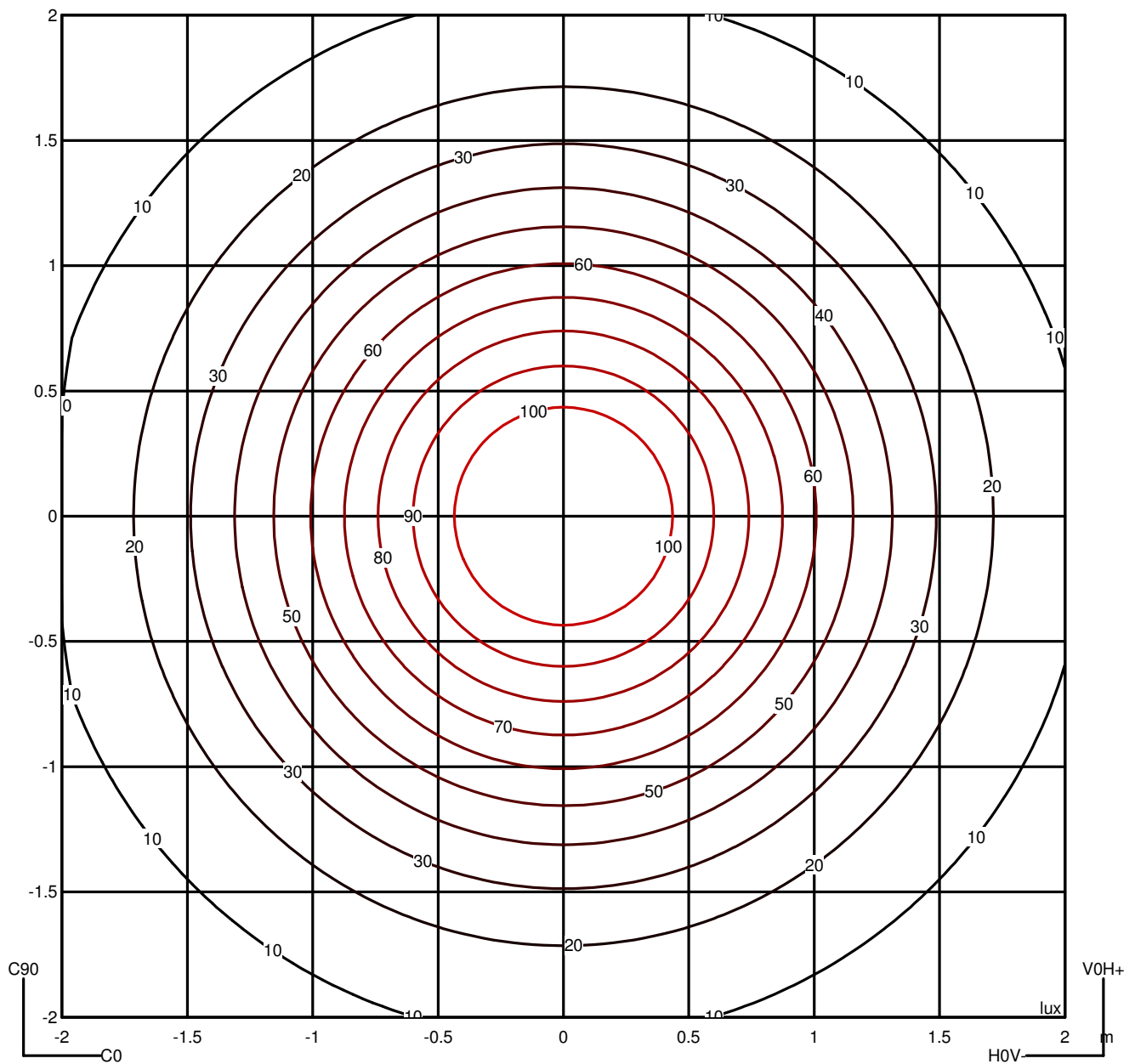
H[m]	D[m]	Max lux	Med lux	Alpha=28.2°+28.2°	G=0.0
1.00	1.07	698	370		
2.00	2.14	174	93		
3.00	3.22	78	41		
4.00	4.29	44	23		
5.00	5.36	28	15		

Luminaria
 Código TC-0472-BLA
 Nombre TC-0472-BLA
Ensayo
 Código TC-0472-BLA
 Nombre TC-0472-BLA

Flujo Luminaria	675.62 lm	Potencia luminaria	8.90 W	Eficacia	75.91 lm/W	Eficiencia	100.00%
Flujo de Lámpara	675.62 lm	Valor Máximo	1032.92 cd/klm	Posición	C=0.00 G=0.00	CG	Rotosimétrico

Isolux (Suelo)

Posición Luminaria X=0.00m Y=0.00m Z=2.50m



Luminaria
 Código TC-0472-BLA
 Nombre TC-0472-BLA
Ensayo
 Código TC-0472-BLA
 Nombre TC-0472-BLA

Flujo Luminaria	675.62 lm	Potencia luminaria	8.90 W	Eficacia	75.91 lm/W	Eficiencia	100.00%
Flujo de Lámpara	675.62 lm	Valor Máximo	1032.92 cd/klm	Posición	C=0.00 G=0.00	CG	Rotosimétrico

Luminancia





Luminaria

Código TC-0472-BLA

Nombre TC-0472-BLA

Ensayo

Código TC-0472-BLA

Nombre TC-0472-BLA

Flujo Luminaria	675.62 lm	Potencia luminaria	8.90 W	Eficacia	75.91 lm/W	Eficiencia	100.00%
Flujo de Lámpara	675.62 lm	Valor Máximo	1032.92 cd/klm	Posición	C=0.00 G=0.00	CG	Rotosimétrico

Luminance cd/m2 Tabla 1/3

	C 0.00	C 10.00	C 20.00	C 30.00	C 40.00	C 50.00	C 60.00	C 70.00	C 80.00	C 90.00	C 100.00	C 110.00	C 120.00
G 0.0	438785.88	438785.88	438785.88	438785.88	438785.88	438785.88	438785.88	438785.88	438785.88	438785.88	438785.88	438785.88	438785.88
G 5.0	434094.78	434094.78	434094.78	434094.78	434094.78	434094.78	434094.78	434094.78	434094.78	434094.78	434094.78	434094.78	434094.78
G 10.0	416577.82	416577.82	416577.82	416577.82	416577.82	416577.82	416577.82	416577.82	416577.82	416577.82	416577.82	416577.82	416577.82
G 15.0	384390.16	384390.16	384390.16	384390.16	384390.16	384390.16	384390.16	384390.16	384390.16	384390.16	384390.16	384390.16	384390.16
G 20.0	338895.81	338895.81	338895.81	338895.81	338895.81	338895.81	338895.81	338895.81	338895.81	338895.81	338895.81	338895.81	338895.81
G 25.0	287330.22	287330.22	287330.22	287330.22	287330.22	287330.22	287330.22	287330.22	287330.22	287330.22	287330.22	287330.22	287330.22
G 30.0	225171.69	225171.69	225171.69	225171.69	225171.69	225171.69	225171.69	225171.69	225171.69	225171.69	225171.69	225171.69	225171.69
G 35.0	163027.22	163027.22	163027.22	163027.22	163027.22	163027.22	163027.22	163027.22	163027.22	163027.22	163027.22	163027.22	163027.22
G 40.0	111505.20	111505.20	111505.20	111505.20	111505.20	111505.20	111505.20	111505.20	111505.20	111505.20	111505.20	111505.20	111505.20
G 45.0	74083.35	74083.35	74083.35	74083.35	74083.35	74083.35	74083.35	74083.35	74083.35	74083.35	74083.35	74083.35	74083.35
G 50.0	49449.87	49449.87	49449.87	49449.87	49449.87	49449.87	49449.87	49449.87	49449.87	49449.87	49449.87	49449.87	49449.87
G 55.0	37788.19	37788.19	37788.19	37788.19	37788.19	37788.19	37788.19	37788.19	37788.19	37788.19	37788.19	37788.19	37788.19
G 60.0	28774.78	28774.78	28774.78	28774.78	28774.78	28774.78	28774.78	28774.78	28774.78	28774.78	28774.78	28774.78	28774.78
G 65.0	25281.85	25281.85	25281.85	25281.85	25281.85	25281.85	25281.85	25281.85	25281.85	25281.85	25281.85	25281.85	25281.85
G 70.0	23691.88	23691.88	23691.88	23691.88	23691.88	23691.88	23691.88	23691.88	23691.88	23691.88	23691.88	23691.88	23691.88
G 75.0	21665.69	21665.69	21665.69	21665.69	21665.69	21665.69	21665.69	21665.69	21665.69	21665.69	21665.69	21665.69	21665.69
G 80.0	17783.91	17783.91	17783.91	17783.91	17783.91	17783.91	17783.91	17783.91	17783.91	17783.91	17783.91	17783.91	17783.91
G 85.0	10358.27	10358.27	10358.27	10358.27	10358.27	10358.27	10358.27	10358.27	10358.27	10358.27	10358.27	10358.27	10358.27
G 90.0	0.00	0.00	0.00	0.00	0.00	0.00	0.00	0.00	0.00	0.00	0.00	0.00	0.00



Luminaria

Código TC-0472-BLA

Nombre TC-0472-BLA

Ensayo

Código TC-0472-BLA

Nombre TC-0472-BLA

Flujo Luminaria	675.62 lm	Potencia luminaria	8.90 W	Eficacia	75.91 lm/W	Eficiencia	100.00%
Flujo de Lámpara	675.62 lm	Valor Máximo	1032.92 cd/klm	Posición	C=0.00 G=0.00	CG	Rotosimétrico

Luminance cd/m2 Tabla 2/3

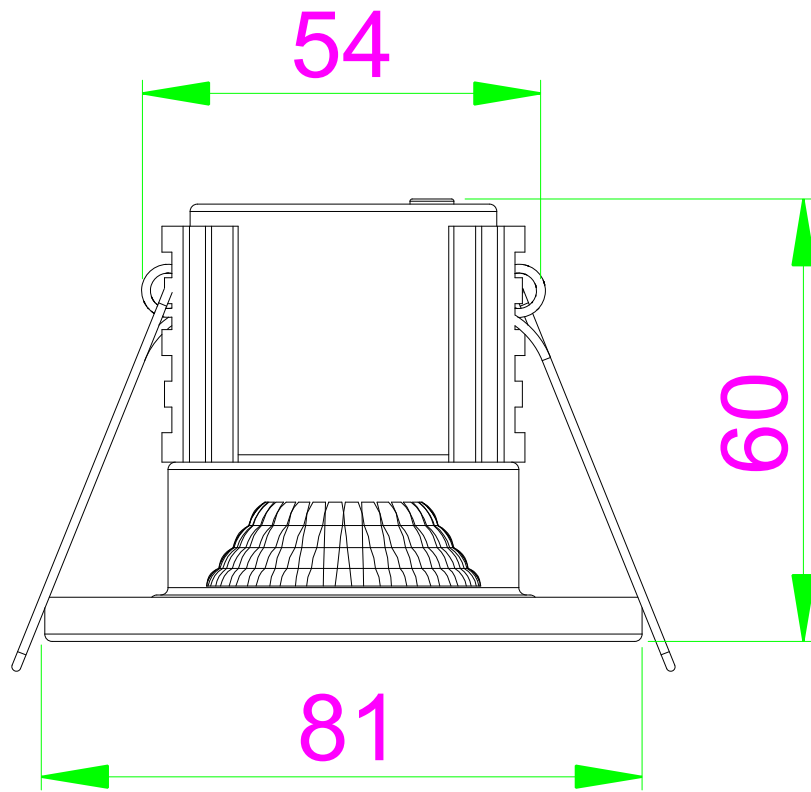
	C 130.00	C 140.00	C 150.00	C 160.00	C 170.00	C 180.00	C 190.00	C 200.00	C 210.00	C 220.00	C 230.00	C 240.00	C 250.00
G 0.0	438785.88	438785.88	438785.88	438785.88	438785.88	438785.88	438785.88	438785.88	438785.88	438785.88	438785.88	438785.88	438785.88
G 5.0	434094.78	434094.78	434094.78	434094.78	434094.78	434094.78	434094.78	434094.78	434094.78	434094.78	434094.78	434094.78	434094.78
G 10.0	416577.82	416577.82	416577.82	416577.82	416577.82	416577.82	416577.82	416577.82	416577.82	416577.82	416577.82	416577.82	416577.82
G 15.0	384390.16	384390.16	384390.16	384390.16	384390.16	384390.16	384390.16	384390.16	384390.16	384390.16	384390.16	384390.16	384390.16
G 20.0	338895.81	338895.81	338895.81	338895.81	338895.81	338895.81	338895.81	338895.81	338895.81	338895.81	338895.81	338895.81	338895.81
G 25.0	287330.22	287330.22	287330.22	287330.22	287330.22	287330.22	287330.22	287330.22	287330.22	287330.22	287330.22	287330.22	287330.22
G 30.0	225171.69	225171.69	225171.69	225171.69	225171.69	225171.69	225171.69	225171.69	225171.69	225171.69	225171.69	225171.69	225171.69
G 35.0	163027.22	163027.22	163027.22	163027.22	163027.22	163027.22	163027.22	163027.22	163027.22	163027.22	163027.22	163027.22	163027.22
G 40.0	111505.20	111505.20	111505.20	111505.20	111505.20	111505.20	111505.20	111505.20	111505.20	111505.20	111505.20	111505.20	111505.20
G 45.0	74083.35	74083.35	74083.35	74083.35	74083.35	74083.35	74083.35	74083.35	74083.35	74083.35	74083.35	74083.35	74083.35
G 50.0	49449.87	49449.87	49449.87	49449.87	49449.87	49449.87	49449.87	49449.87	49449.87	49449.87	49449.87	49449.87	49449.87
G 55.0	37788.19	37788.19	37788.19	37788.19	37788.19	37788.19	37788.19	37788.19	37788.19	37788.19	37788.19	37788.19	37788.19
G 60.0	28774.78	28774.78	28774.78	28774.78	28774.78	28774.78	28774.78	28774.78	28774.78	28774.78	28774.78	28774.78	28774.78
G 65.0	25281.85	25281.85	25281.85	25281.85	25281.85	25281.85	25281.85	25281.85	25281.85	25281.85	25281.85	25281.85	25281.85
G 70.0	23691.88	23691.88	23691.88	23691.88	23691.88	23691.88	23691.88	23691.88	23691.88	23691.88	23691.88	23691.88	23691.88
G 75.0	21665.69	21665.69	21665.69	21665.69	21665.69	21665.69	21665.69	21665.69	21665.69	21665.69	21665.69	21665.69	21665.69
G 80.0	17783.91	17783.91	17783.91	17783.91	17783.91	17783.91	17783.91	17783.91	17783.91	17783.91	17783.91	17783.91	17783.91
G 85.0	10358.27	10358.27	10358.27	10358.27	10358.27	10358.27	10358.27	10358.27	10358.27	10358.27	10358.27	10358.27	10358.27
G 90.0	0.00	0.00	0.00	0.00	0.00	0.00	0.00	0.00	0.00	0.00	0.00	0.00	0.00

Luminaria
 Código TC-0472-BLA
 Nombre TC-0472-BLA
Ensayo
 Código TC-0472-BLA
 Nombre TC-0472-BLA

Flujo Luminaria	675.62 lm	Potencia luminaria	8.90 W	Eficacia	75.91 lm/W	Eficiencia	100.00%
Flujo de Lámpara	675.62 lm	Valor Máximo	1032.92 cd/klm	Posición	C=0.00 G=0.00	CG	Rotosimétrico

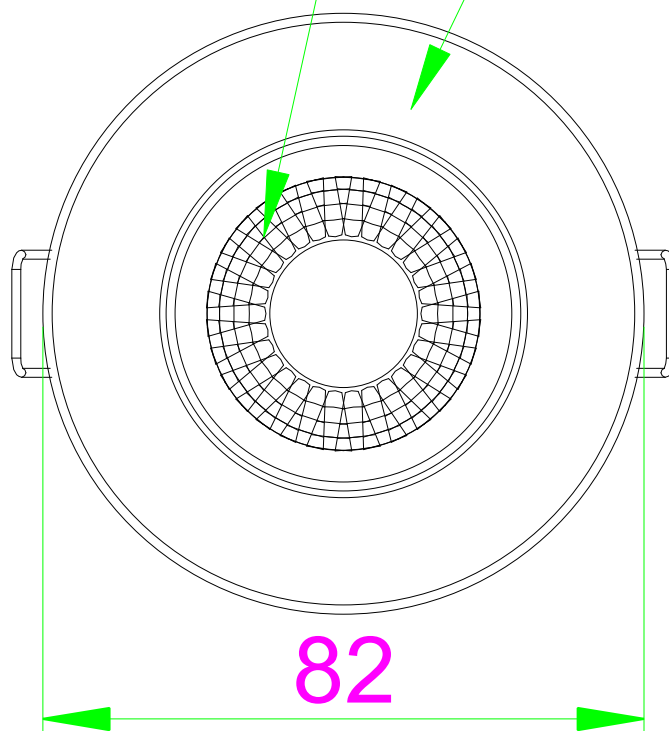
Luminance cd/m2 Tabla 3/3

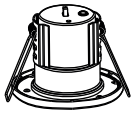
	C 260.00	C 270.00	C 280.00	C 290.00	C 300.00	C 310.00	C 320.00	C 330.00	C 340.00	C 350.00
G 0.0	438785.88	438785.88	438785.88	438785.88	438785.88	438785.88	438785.88	438785.88	438785.88	438785.88
G 5.0	434094.78	434094.78	434094.78	434094.78	434094.78	434094.78	434094.78	434094.78	434094.78	434094.78
G 10.0	416577.82	416577.82	416577.82	416577.82	416577.82	416577.82	416577.82	416577.82	416577.82	416577.82
G 15.0	384390.16	384390.16	384390.16	384390.16	384390.16	384390.16	384390.16	384390.16	384390.16	384390.16
G 20.0	338895.81	338895.81	338895.81	338895.81	338895.81	338895.81	338895.81	338895.81	338895.81	338895.81
G 25.0	287330.22	287330.22	287330.22	287330.22	287330.22	287330.22	287330.22	287330.22	287330.22	287330.22
G 30.0	225171.69	225171.69	225171.69	225171.69	225171.69	225171.69	225171.69	225171.69	225171.69	225171.69
G 35.0	163027.22	163027.22	163027.22	163027.22	163027.22	163027.22	163027.22	163027.22	163027.22	163027.22
G 40.0	111505.20	111505.20	111505.20	111505.20	111505.20	111505.20	111505.20	111505.20	111505.20	111505.20
G 45.0	74083.35	74083.35	74083.35	74083.35	74083.35	74083.35	74083.35	74083.35	74083.35	74083.35
G 50.0	49449.87	49449.87	49449.87	49449.87	49449.87	49449.87	49449.87	49449.87	49449.87	49449.87
G 55.0	37788.19	37788.19	37788.19	37788.19	37788.19	37788.19	37788.19	37788.19	37788.19	37788.19
G 60.0	28774.78	28774.78	28774.78	28774.78	28774.78	28774.78	28774.78	28774.78	28774.78	28774.78
G 65.0	25281.85	25281.85	25281.85	25281.85	25281.85	25281.85	25281.85	25281.85	25281.85	25281.85
G 70.0	23691.88	23691.88	23691.88	23691.88	23691.88	23691.88	23691.88	23691.88	23691.88	23691.88
G 75.0	21665.69	21665.69	21665.69	21665.69	21665.69	21665.69	21665.69	21665.69	21665.69	21665.69
G 80.0	17783.91	17783.91	17783.91	17783.91	17783.91	17783.91	17783.91	17783.91	17783.91	17783.91
G 85.0	10358.27	10358.27	10358.27	10358.27	10358.27	10358.27	10358.27	10358.27	10358.27	10358.27
G 90.0	0.00	0.00	0.00	0.00	0.00	0.00	0.00	0.00	0.00	0.00



POLYCARBONATE / TRANSPARENT

ALUMINIUM / WHITE





Bala

TC-0440 TX-0472 TC-0491

FOR
LIGHT

