



DE-0199-BLA

V0

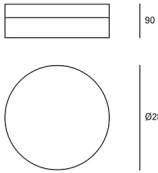
Farrow Ceiling fixture



Description

Ceiling fixture IP20 Farrow NAW White

	Finish	Material
Structure	White	Steel
Diffuser	Opal	Glass



TECHNICAL CHARACTERISTICS

Light source

Lamp maximum dimension: 140/60 mm
Quantity: 2

GEAR

Voltage / Frequency:
100-240V/50-60Hz

Luminaire

Warranty: 5 Years

Logistics

Energy Efficiency: NO BULB
EAN Code: 8435381449520
Net Weight (Kg): 1.560
Weight in Kg (packaged): 2.390
Packing: 355 x 355 x 235
Masterbox: 4

The photograph may not match the reference exactly. Please read the product description to identify the finish.

Luminaire

Code DE-0199-BLA
 Name Plafón 2x40W inc. E27 opal

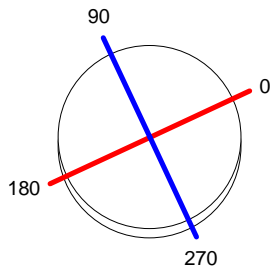
Measur.

Code DE-0199-BLA
 Name Plafón 2x40W inc. E27 opal

Luminaire Flux	512.67 lm	Luminaire Power	80.00 W	Efficacy	6.41 lm/W	Efficiency	61.03%
Lamps Flux	840.00 lm	Maximum value	140.05 cd/klm	Position	C=45.00 G=5.00	CG	Double Symmetrical
Round Luminaire Round Luminous Area		Diam. Diam.	280 mm 280 mm	Height Height	90 mm 50 mm		
Horizontal Luminous Area Emitting area on Plane 0° Emitting area on Plane 90°		0.061575 m2 0.014000 m2 0.014000 m2		Emitting area on Plane 180° Emitting area on Plane 270° Glare area at 76°		0.014000 m2 0.014000 m2 0.028481 m2	
Coordinate system Date Measurement Distance		CG 20-07-2016 0.00		Symmetry Type Maximum Gamma Angle Measurement Flux		Double Symmetrical 180 840.00 lm	
Operator Temperature Humidity Notes		Asselum T2 25.00 °C 60.00 %		Source Voltage [V] Source current [A] Photocell			

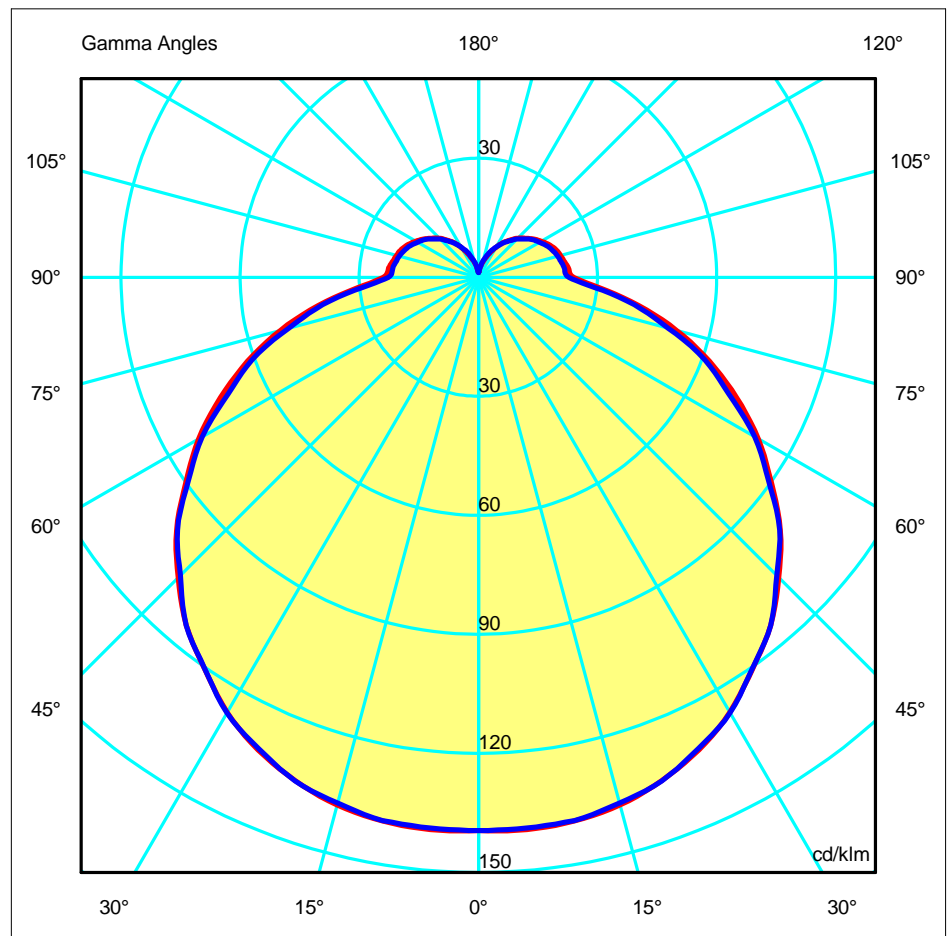
Line		Code		Luminaire Lamps		Flux [lm]	Pow. [W]	Q.ty
		CLAS A	CL 40	CLAS A	CL 40	420.00	40.00	2
C.I.E.	39 69 89 83 61			D DIN 5040		B21		
F UTE	0.51 G + 0.10 T			B NBN		BZ 5 / 1.25 / BZ 6 / 2.5 / BZ 5 / 3 / BZ 6		

Diam=280mm



C Halfplanes
 180.0 — 0.0
 270.0 — 90.0

ULOR 10.24 %
 DLOR 50.79 %
 RN 16.78 %





Luminaire

Code DE-0199-BLA
Name Plafón 2x40W inc. E27 opal

Measur.

Code DE-0199-BLA
Name Plafón 2x40W inc. E27 opal

Luminaire Flux	512.67 lm	Luminaire Power	80.00 W	Efficacy	6.41 lm/W	Efficiency	61.03%
Lamps Flux	840.00 lm	Maximum value	140.05 cd/klm	Position	C=45.00 G=5.00	CG	Double Symmetrical

Luminous Intensity Table cd/klm Table 1/1

	C 0.00	C 15.00	C 30.00	C 45.00	C 60.00	C 75.00	C 90.00
G 0.0	139.43	139.43	139.43	139.43	139.43	139.43	139.43
G 5.0	139.68	139.79	139.47	140.05	139.67	139.53	139.31
G 10.0	139.11	139.04	139.48	139.52	139.21	139.58	138.99
G 15.0	137.66	137.59	137.65	137.80	137.75	137.69	137.16
G 20.0	134.97	134.91	135.55	135.04	135.11	135.16	135.01
G 25.0	131.36	131.19	131.60	131.94	131.48	131.80	130.99
G 30.0	126.56	126.23	126.77	126.89	126.33	127.17	126.74
G 35.0	120.38	120.69	121.02	121.40	120.91	120.58	120.26
G 40.0	114.47	113.68	113.92	113.96	113.91	113.73	114.48
G 45.0	106.95	106.66	106.92	107.36	106.63	106.21	106.19
G 50.0	99.27	98.04	98.67	98.17	98.09	97.64	98.98
G 55.0	89.99	89.85	90.02	90.00	89.69	88.91	89.14
G 60.0	81.37	80.24	80.58	79.76	79.87	79.36	80.33
G 65.0	71.71	71.05	71.33	70.75	70.55	69.53	69.57
G 70.0	61.92	61.14	61.56	60.50	60.01	59.68	60.65
G 75.0	51.68	51.09	51.11	50.85	50.32	49.89	49.50
G 80.0	40.99	40.65	40.64	40.22	39.80	39.01	39.82
G 85.0	30.72	30.53	30.54	30.15	29.92	29.59	29.41
G 90.0	24.02	23.84	23.63	23.45	23.14	22.85	22.75
G 95.0	22.83	22.73	22.62	22.40	22.19	21.82	21.79
G100.0	22.08	22.11	22.04	21.80	21.66	21.36	21.25
G105.0	21.36	21.29	21.36	21.05	20.89	20.60	20.64
G110.0	20.66	20.31	20.39	20.30	20.03	19.77	19.85
G115.0	19.56	19.22	19.23	19.17	19.02	18.77	18.89
G120.0	18.23	18.04	18.08	18.02	17.88	17.64	17.66
G125.0	16.83	16.62	16.68	16.77	16.48	16.36	16.59
G130.0	15.34	15.36	15.24	15.27	15.20	14.92	15.07
G135.0	13.94	13.68	13.65	13.72	13.70	13.43	13.62
G140.0	12.23	12.18	12.19	12.27	12.16	11.80	11.94
G145.0	10.59	10.32	10.45	10.50	10.45	10.18	10.48
G150.0	8.68	8.62	8.85	8.84	8.79	8.57	8.73
G155.0	6.76	6.82	7.03	7.06	7.02	7.04	7.27
G160.0	5.15	5.21	5.42	5.47	5.61	5.58	5.60
G165.0	3.83	3.81	3.98	3.97	4.01	4.07	4.19
G170.0	2.59	2.54	2.60	2.59	2.69	2.68	2.66
G175.0	1.45	1.57	1.46	1.55	1.46	1.63	1.50
G180.0	1.29	1.24	1.22	1.24	1.25	1.25	1.23

Luminaire

Code DE-0199-BLA
 Name Plafón 2x40W inc. E27 opal

Measur.

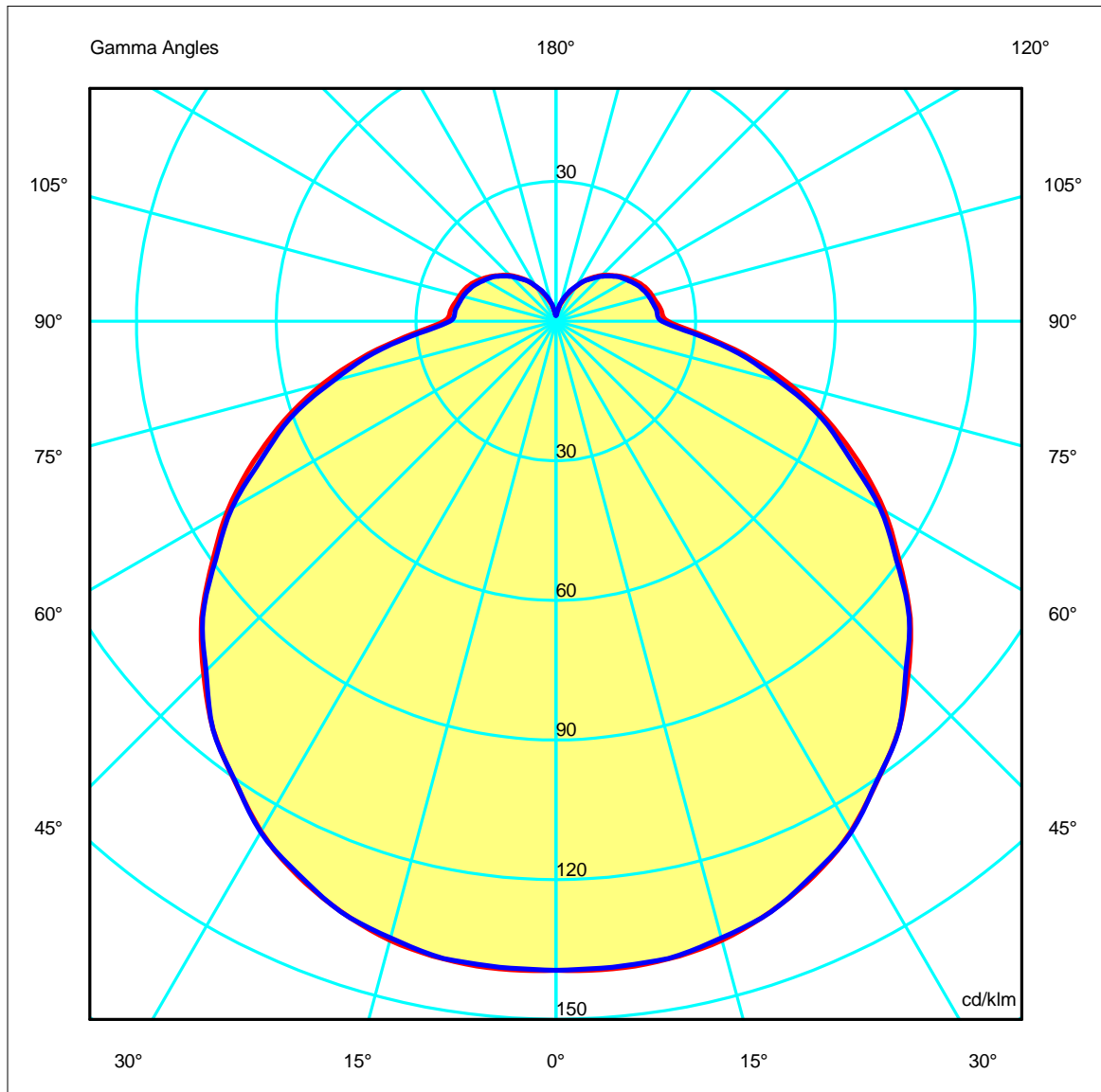
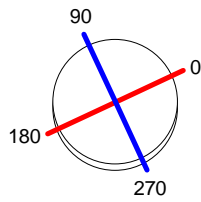
Code DE-0199-BLA
 Name Plafón 2x40W inc. E27 opal

Luminaire Flux	512.67 lm	Luminaire Power	80.00 W	Efficacy	6.41 lm/W	Efficiency	61.03%
Lamps Flux	840.00 lm	Maximum value	140.05 cd/klm	Position	C=45.00 G=5.00	CG	Double Symmetrical

Diam=280mm

C Halfplanes

180.0 ——— 0.0
 270.0 ——— 90.0



Luminaire

Code DE-0199-BLA
Name Plafón 2x40W inc. E27 opal

Measur.

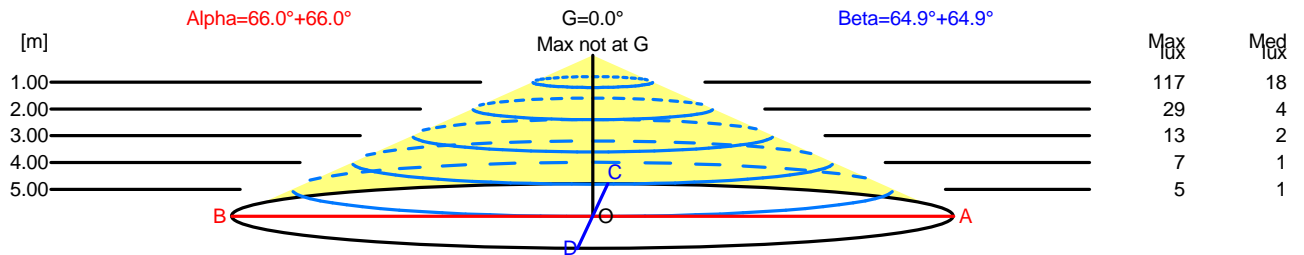
Code DE-0199-BLA
Name Plafón 2x40W inc. E27 opal

Luminaire Flux	512.67 lm	Luminaire Power	80.00 W	Efficacy	6.41 lm/W	Efficiency	61.03%
Lamps Flux	840.00 lm	Maximum value	140.05 cd/klm	Position	C=45.00 G=5.00	CG	Double Symmetrical

Width at 50.00 % of Max Intensity

H[m]	1.00	2.00	3.00	4.00	5.00	H[m]	1.00	2.00	3.00	4.00	5.00
OA	2.24	4.48	6.72	8.96	11.21	OC	2.13	4.26	6.40	8.53	10.66
OB	2.24	4.48	6.72	8.96	11.21	OD	2.13	4.26	6.40	8.53	10.66

	Luminous Intensities [cd/klm]									
	0	5	15	25	35	45	55	65	75	85
OA	117.12	117.33	115.63	110.34	101.12	89.83	75.59	60.24	43.41	25.80
OB	117.12	117.33	115.63	110.34	101.12	89.83	75.59	60.24	43.41	25.80
OC	117.12	117.02	115.21	110.03	101.02	89.20	74.88	58.44	41.58	24.71
OD	117.12	117.02	115.21	110.03	101.02	89.20	74.88	58.44	41.58	24.71



H[m]	D[m]	Max lux	Med lux	Alpha=66.0°+66.0°	G=0.0° Max not at G
1.00	4.48	117	18		
2.00	8.96	29	4		
3.00	13.45	13	2		
4.00	17.93	7	1		
5.00	22.41	5	1		

H[m]	D[m]	Max lux	Med lux	Beta=64.9°+64.9°	G=0.0° Max not at G
1.00	4.26	117	18		
2.00	8.53	29	4		
3.00	12.79	13	2		
4.00	17.05	7	1		
5.00	21.32	5	1		

Luminaire

Code DE-0199-BLA
Name Plafón 2x40W inc. E27 opal

Measurement

Code DE-0199-BLA
Name Plafón 2x40W inc. E27 opal

Luminaire Flux	512.67 lm	Luminaire Power	80.00 W	Efficacy	6.41 lm/W	Efficiency	61.03%
Lamps Flux	840.00 lm	Maximum value	140.05 cd/klm	Position	C=45.00 G=5.00	CG	Double Symmetrical

UGR
S = 0.250

Reflectancies										
Ceiling/Cavity	0.7	0.7	0.5	0.5	0.3	0.7	0.7	0.5	0.5	0.3
Walls	0.5	0.3	0.5	0.3	0.3	0.5	0.3	0.5	0.3	0.3
WorkingPlane	0.2	0.2	0.2	0.2	0.2	0.2	0.2	0.2	0.2	0.2
RoomDimensions	ViewedCrosswise					ViewedEndwise				
x=2H y=2H	13.1	14.3	13.6	14.8	15.3	13.0	14.3	13.6	14.8	15.3
x=2H y=3H	15.0	16.1	15.6	16.7	17.2	14.9	16.0	15.5	16.6	17.2
x=2H y=4H	16.0	17.0	16.5	17.5	18.1	15.8	16.8	16.4	17.4	18.1
x=2H y=6H	16.8	17.7	17.3	18.3	18.8	16.6	17.6	17.2	18.1	18.8
x=2H y=8H	17.1	18.1	17.7	18.6	19.1	16.9	17.9	17.5	18.5	19.1
x=2H y=12H	17.4	18.3	18.1	18.9	19.4	17.3	18.1	17.9	18.7	19.4
x=4H y=2H	13.9	14.9	14.5	15.5	16.1	13.9	14.9	14.4	15.4	16.1
x=4H y=3H	16.0	16.9	16.6	17.5	18.1	15.9	16.8	16.5	17.4	18.1
x=4H y=4H	17.1	17.9	17.7	18.5	19.1	16.9	17.7	17.6	18.3	19.1
x=4H y=6H	18.0	18.7	18.7	19.4	19.9	17.9	18.6	18.5	19.2	19.9
x=4H y=8H	18.5	19.1	19.1	19.8	20.4	18.3	18.9	19.0	19.6	20.4
x=4H y=12H	18.8	19.4	19.5	20.1	20.7	18.7	19.2	19.3	19.9	20.7
x=8H y=4H	17.5	18.1	18.2	18.8	19.5	17.4	18.0	18.1	18.7	19.5
x=8H y=6H	18.7	19.2	19.4	19.9	20.6	18.5	19.1	19.2	19.8	20.6
x=8H y=8H	19.2	19.7	19.9	20.4	21.1	19.1	19.5	19.8	20.2	21.1
x=8H y=12H	19.7	20.2	20.5	20.9	21.6	19.6	20.0	20.3	20.7	21.6
x=12H y=4H	17.5	18.1	18.2	18.8	19.5	17.5	18.0	18.1	18.7	19.5
x=12H y=6H	18.8	19.3	19.5	20.0	20.7	18.7	19.1	19.4	19.8	20.7
x=12H y=8H	19.4	19.8	20.1	20.5	21.2	19.3	19.7	20.0	20.4	21.2

Luminaire

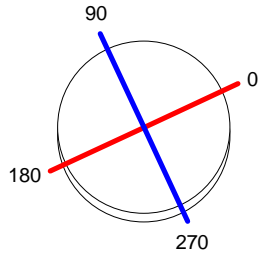
Code DE-0199-BLA
 Name Plafón 2x40W inc. E27 opal

Measur.

Code DE-0199-BLA
 Name Plafón 2x40W inc. E27 opal

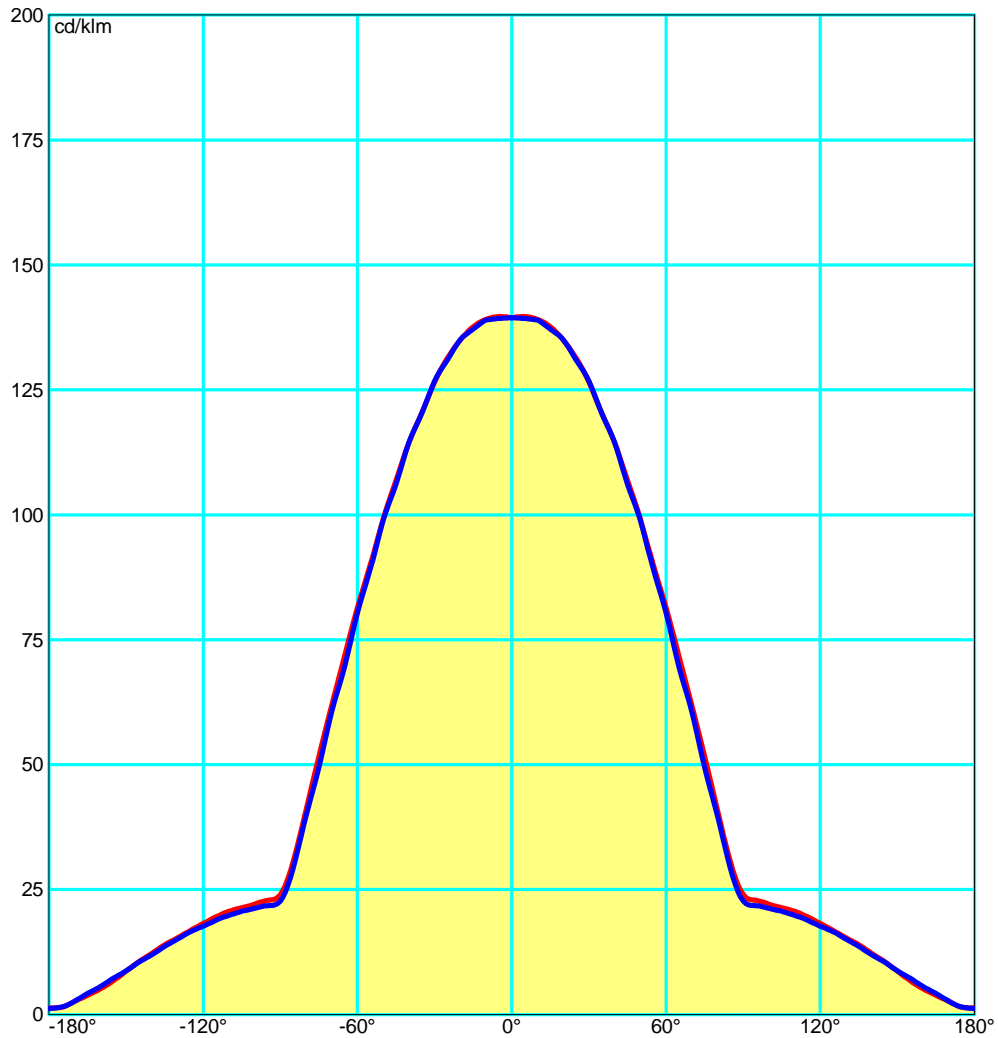
Luminaire Flux	512.67 lm	Luminaire Power	80.00 W	Efficacy	6.41 lm/W	Efficiency	61.03%
Lamps Flux	840.00 lm	Maximum value	140.05 cd/klm	Position	C=45.00 G=5.00	CG	Double Symmetrical

Diam=280mm



C Halfplanes

180.0 ———— 0.0
 270.0 ———— 90.0



Luminaire

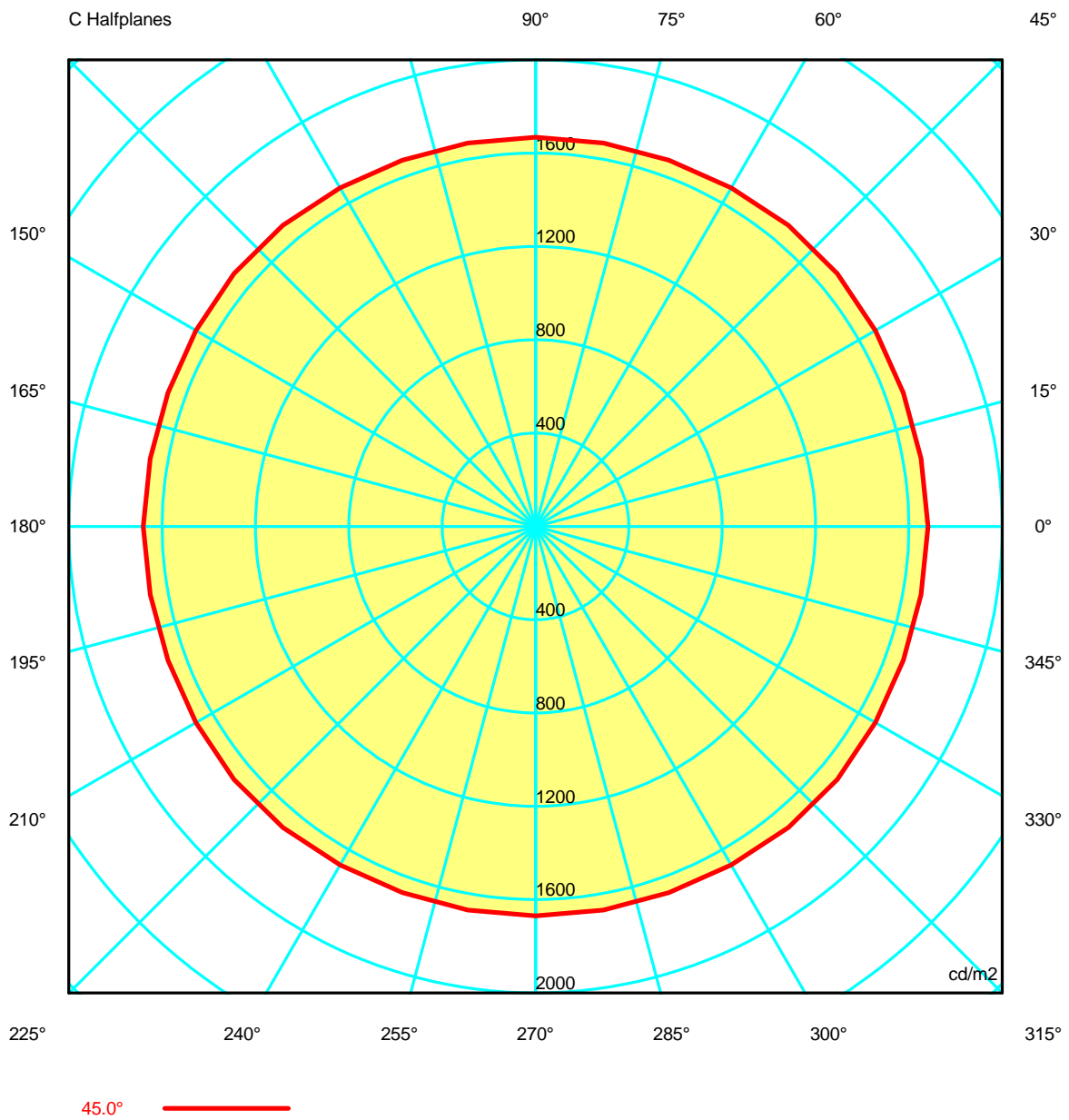
Code DE-0199-BLA
 Name Plafón 2x40W inc. E27 opal

Measur.

Code DE-0199-BLA
 Name Plafón 2x40W inc. E27 opal

Luminaire Flux	512.67 lm	Luminaire Power	80.00 W	Efficacy	6.41 lm/W	Efficiency	61.03%
Lamps Flux	840.00 lm	Maximum value	140.05 cd/klm	Position	C=45.00 G=5.00	CG	Double Symmetrical

Luminance





Luminaire

Code DE-0199-BLA
Name Plafón 2x40W inc. E27 opal

Measurment

Code DE-0199-BLA
Name Plafón 2x40W inc. E27 opal

Luminaire Flux	512.67 lm	Luminaire Power	80.00 W	Efficacy	6.41 lm/W	Efficiency	61.03%
Lamps Flux	840.00 lm	Maximum value	140.05 cd/klm	Position	C=45.00 G=5.00	CG	Double Symmetrical

Luminance cd/m2 Table 1/3

	C 0.00	C 10.00	C 20.00	C 30.00	C 40.00	C 50.00	C 60.00	C 70.00	C 80.00	C 90.00	C 100.00	C 110.00	C 120.00
G 0.0	1902.10	1902.10	1902.10	1902.10	1902.10	1902.10	1902.10	1902.10	1902.10	1902.10	1902.10	1902.10	1902.10
G 5.0	1875.44	1877.37	1875.02	1872.70	1878.21	1879.90	1875.39	1873.70	1872.73	1870.54	1872.73	1873.70	1875.39
G 10.0	1852.78	1851.38	1853.42	1857.64	1859.05	1856.34	1854.05	1857.72	1857.82	1851.07	1857.82	1857.72	1854.05
G 15.0	1832.54	1831.79	1831.65	1832.46	1833.96	1834.31	1833.70	1833.18	1831.21	1825.87	1831.21	1833.18	1833.70
G 20.0	1809.61	1807.76	1812.01	1817.38	1813.25	1810.95	1811.55	1812.35	1811.66	1810.23	1811.66	1812.35	1811.55
G 25.0	1787.69	1785.47	1786.45	1790.94	1795.50	1793.63	1789.40	1792.63	1791.86	1782.72	1791.86	1792.63	1789.40
G 30.0	1762.27	1757.95	1759.34	1765.23	1768.17	1763.52	1759.07	1766.98	1771.08	1764.78	1771.08	1766.98	1759.07
G 35.0	1729.41	1732.43	1735.14	1738.60	1743.36	1742.68	1736.99	1733.55	1730.98	1727.76	1730.98	1733.55	1736.99
G 40.0	1711.93	1702.46	1700.31	1703.72	1704.49	1704.32	1703.56	1700.80	1703.17	1712.07	1703.17	1700.80	1703.56
G 45.0	1681.04	1677.43	1676.78	1680.62	1686.82	1685.08	1676.00	1670.52	1669.35	1669.24	1669.35	1670.52	1676.00
G 50.0	1657.67	1640.37	1639.50	1647.57	1642.61	1638.37	1637.87	1631.10	1634.60	1652.82	1634.60	1631.10	1637.87
G 55.0	1615.68	1613.31	1613.84	1616.18	1616.41	1615.05	1610.22	1599.96	1595.73	1600.51	1595.73	1599.96	1610.22
G 60.0	1592.88	1574.48	1572.37	1577.35	1566.40	1560.91	1563.37	1555.54	1556.36	1572.53	1556.36	1555.54	1563.37
G 65.0	1556.05	1543.79	1543.46	1547.90	1539.56	1533.91	1530.98	1515.58	1506.07	1509.60	1506.07	1515.58	1530.98
G 70.0	1520.06	1503.47	1504.58	1511.26	1495.10	1479.26	1473.14	1465.50	1469.84	1488.86	1469.84	1465.50	1473.14
G 75.0	1473.55	1460.40	1455.91	1457.43	1453.88	1445.07	1434.68	1426.23	1418.81	1411.39	1418.81	1426.23	1434.68
G 80.0	1406.61	1397.34	1394.83	1394.53	1385.41	1376.49	1365.54	1344.05	1342.02	1366.35	1342.02	1344.05	1365.54
G 85.0	1335.97	1329.33	1328.55	1328.19	1317.35	1307.44	1301.46	1291.68	1283.47	1279.28	1283.47	1291.68	1301.46
G 90.0	1441.26	1434.40	1426.32	1417.97	1411.01	1401.46	1388.42	1375.75	1368.03	1365.19	1368.03	1375.75	1388.42



Luminaire

Code DE-0199-BLA
Name Plafón 2x40W inc. E27 opal

Measur.

Code DE-0199-BLA
Name Plafón 2x40W inc. E27 opal

Luminaire Flux	512.67 lm	Luminaire Power	80.00 W	Efficacy	6.41 lm/W	Efficiency	61.03%
Lamps Flux	840.00 lm	Maximum value	140.05 cd/klm	Position	C=45.00 G=5.00	CG	Double Symmetrical

Luminance cd/m2 Table 2/3

	C 130.00	C 140.00	C 150.00	C 160.00	C 170.00	C 180.00	C 190.00	C 200.00	C 210.00	C 220.00	C 230.00	C 240.00	C 250.00
G 0.0	1902.10	1902.10	1902.10	1902.10	1902.10	1902.10	1902.10	1902.10	1902.10	1902.10	1902.10	1902.10	1902.10
G 5.0	1879.90	1878.21	1872.70	1875.02	1877.37	1875.44	1877.37	1875.02	1872.70	1878.21	1879.90	1875.39	1873.70
G 10.0	1856.34	1859.05	1857.64	1853.42	1851.38	1852.78	1851.38	1853.42	1857.64	1859.05	1856.34	1854.05	1857.72
G 15.0	1834.31	1833.96	1832.46	1831.65	1831.79	1832.54	1831.79	1831.65	1832.46	1833.96	1834.31	1833.70	1833.18
G 20.0	1810.95	1813.25	1817.38	1812.01	1807.76	1809.61	1807.76	1812.01	1817.38	1813.25	1810.95	1811.55	1812.35
G 25.0	1793.63	1795.50	1790.94	1786.45	1785.47	1787.69	1785.47	1786.45	1790.94	1795.50	1793.63	1789.40	1792.63
G 30.0	1763.52	1768.17	1765.23	1759.34	1757.95	1762.27	1757.95	1759.34	1765.23	1768.17	1763.52	1759.07	1766.98
G 35.0	1742.68	1743.36	1738.60	1735.14	1732.43	1729.41	1732.43	1735.14	1738.60	1743.36	1742.68	1736.99	1733.55
G 40.0	1704.32	1704.49	1703.72	1700.31	1702.46	1711.93	1702.46	1700.31	1703.72	1704.49	1704.32	1703.56	1700.80
G 45.0	1685.08	1686.82	1680.62	1676.78	1677.43	1681.04	1677.43	1676.78	1680.62	1686.82	1685.08	1676.00	1670.52
G 50.0	1638.37	1642.61	1647.57	1639.50	1640.37	1657.67	1640.37	1639.50	1647.57	1642.61	1638.37	1637.87	1631.10
G 55.0	1615.05	1616.41	1616.18	1613.84	1613.31	1615.68	1613.31	1613.84	1616.18	1616.41	1615.05	1610.22	1599.96
G 60.0	1560.91	1566.40	1577.35	1572.37	1574.48	1592.88	1574.48	1572.37	1577.35	1566.40	1560.91	1563.37	1555.54
G 65.0	1533.91	1539.56	1547.90	1543.46	1543.79	1556.05	1543.79	1543.46	1547.90	1539.56	1533.91	1530.98	1515.58
G 70.0	1479.26	1495.10	1511.26	1504.58	1503.47	1520.06	1503.47	1504.58	1511.26	1495.10	1479.26	1473.14	1465.50
G 75.0	1445.07	1453.88	1457.43	1455.91	1460.40	1473.55	1460.40	1455.91	1457.43	1453.88	1445.07	1434.68	1426.23
G 80.0	1376.49	1385.41	1394.53	1394.83	1397.34	1406.61	1397.34	1394.83	1394.53	1385.41	1376.49	1365.54	1344.05
G 85.0	1307.44	1317.35	1328.19	1328.55	1329.33	1335.97	1329.33	1328.55	1328.19	1317.35	1307.44	1301.46	1291.68
G 90.0	1401.46	1411.01	1417.97	1426.32	1434.40	1441.26	1434.40	1426.32	1417.97	1411.01	1401.46	1388.42	1375.75

Luminaire

Code DE-0199-BLA
Name Plafón 2x40W inc. E27 opal

Measur.

Code DE-0199-BLA
Name Plafón 2x40W inc. E27 opal

Luminaire Flux	512.67 lm	Luminaire Power	80.00 W	Efficacy	6.41 lm/W	Efficiency	61.03%
Lamps Flux	840.00 lm	Maximum value	140.05 cd/klm	Position	C=45.00 G=5.00	CG	Double Symmetrical

Luminance cd/m2 Table 3/3

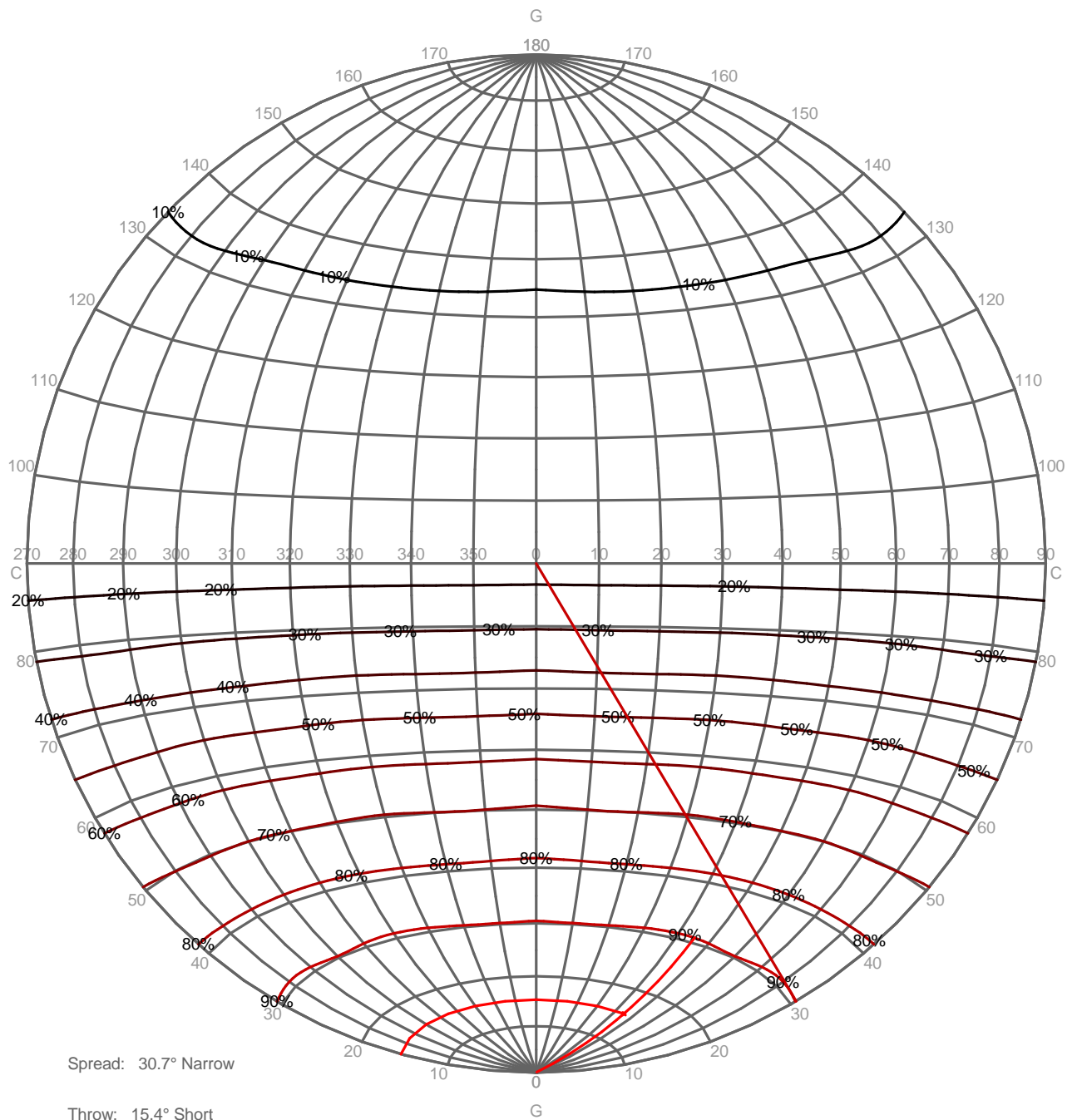
	C 260.00	C 270.00	C 280.00	C 290.00	C 300.00	C 310.00	C 320.00	C 330.00	C 340.00	C 350.00
G 0.0	1902.10	1902.10	1902.10	1902.10	1902.10	1902.10	1902.10	1902.10	1902.10	1902.10
G 5.0	1872.73	1870.54	1872.73	1873.70	1875.39	1879.90	1878.21	1872.70	1875.02	1877.37
G 10.0	1857.82	1851.07	1857.82	1857.72	1854.05	1856.34	1859.05	1857.64	1853.42	1851.38
G 15.0	1831.21	1825.87	1831.21	1833.18	1833.70	1834.31	1833.96	1832.46	1831.65	1831.79
G 20.0	1811.66	1810.23	1811.66	1812.35	1811.55	1810.95	1813.25	1817.38	1812.01	1807.76
G 25.0	1791.86	1782.72	1791.86	1792.63	1789.40	1793.63	1795.50	1790.94	1786.45	1785.47
G 30.0	1771.08	1764.78	1771.08	1766.98	1759.07	1763.52	1768.17	1765.23	1759.34	1757.95
G 35.0	1730.98	1727.76	1730.98	1733.55	1736.99	1742.68	1743.36	1738.60	1735.14	1732.43
G 40.0	1703.17	1712.07	1703.17	1700.80	1703.56	1704.32	1704.49	1703.72	1700.31	1702.46
G 45.0	1669.35	1669.24	1669.35	1670.52	1676.00	1685.08	1686.82	1680.62	1676.78	1677.43
G 50.0	1634.60	1652.82	1634.60	1631.10	1637.87	1638.37	1642.61	1647.57	1639.50	1640.37
G 55.0	1595.73	1600.51	1595.73	1599.96	1610.22	1615.05	1616.41	1616.18	1613.84	1613.31
G 60.0	1556.36	1572.53	1556.36	1555.54	1563.37	1560.91	1566.40	1577.35	1572.37	1574.48
G 65.0	1506.07	1509.60	1506.07	1515.58	1530.98	1533.91	1539.56	1547.90	1543.46	1543.79
G 70.0	1469.84	1488.86	1469.84	1465.50	1473.14	1479.26	1495.10	1511.26	1504.58	1503.47
G 75.0	1418.81	1411.39	1418.81	1426.23	1434.68	1445.07	1453.88	1457.43	1455.91	1460.40
G 80.0	1342.02	1366.35	1342.02	1344.05	1365.54	1376.49	1385.41	1394.53	1394.83	1397.34
G 85.0	1283.47	1279.28	1283.47	1291.68	1301.46	1307.44	1317.35	1328.19	1328.55	1329.33
G 90.0	1368.03	1365.19	1368.03	1375.75	1388.42	1401.46	1411.01	1417.97	1426.32	1434.40

Luminaire
 Code DE-0199-BLA
 Name Plafón 2x40W inc. E27 opal
Measurement.
 Code DE-0199-BLA
 Name Plafón 2x40W inc. E27 opal

Luminaire Flux	512.67 lm	Luminaire Power	80.00 W	Efficacy	6.41 lm/W	Efficiency	61.03%
Lamps Flux	840.00 lm	Maximum value	140.05 cd/klm	Position	C=45.00 G=5.00	CG	Double Symmetrical

PERCENTAGE ISOCANDLES

Projection: Equal Area SLI (glare) 7.3 Tight Tilting Angle:0°



Luminaire

Code DE-0199-BLA
 Name Plafón 2x40W inc. E27 opal

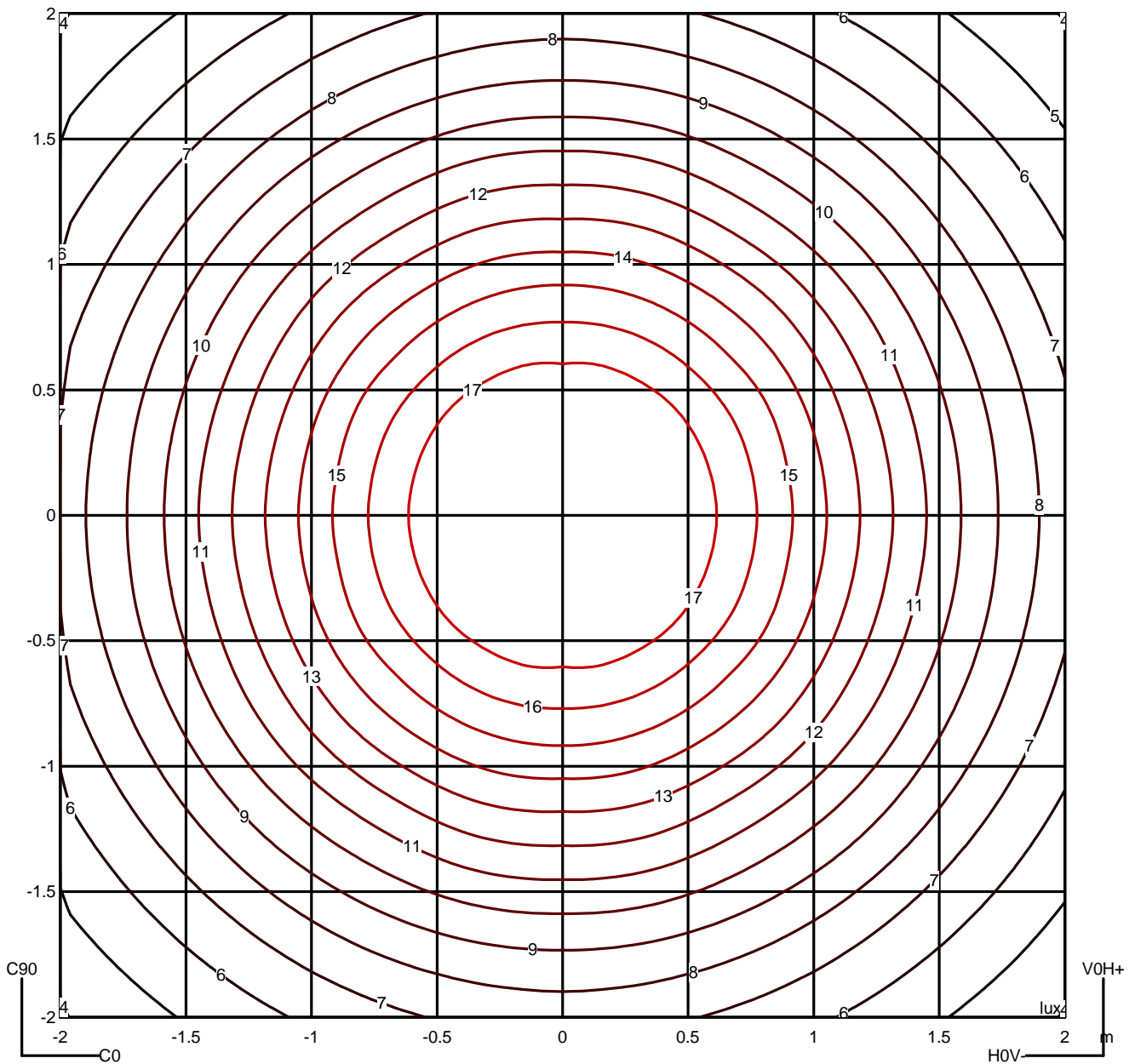
Measur.

Code DE-0199-BLA
 Name Plafón 2x40W inc. E27 opal

Luminaire Flux	512.67 lm	Luminaire Power	80.00 W	Efficacy	6.41 lm/W	Efficiency	61.03%
Lamps Flux	840.00 lm	Maximum value	140.05 cd/klm	Position	C=45.00 G=5.00	CG	Double Symmetrical

Isolux (Floor)

Luminaire position X=0.00m Y=0.00m Z=2.50m



Luminaire

Code DE-0199-BLA
 Name Plafón 2x40W inc. E27 opal

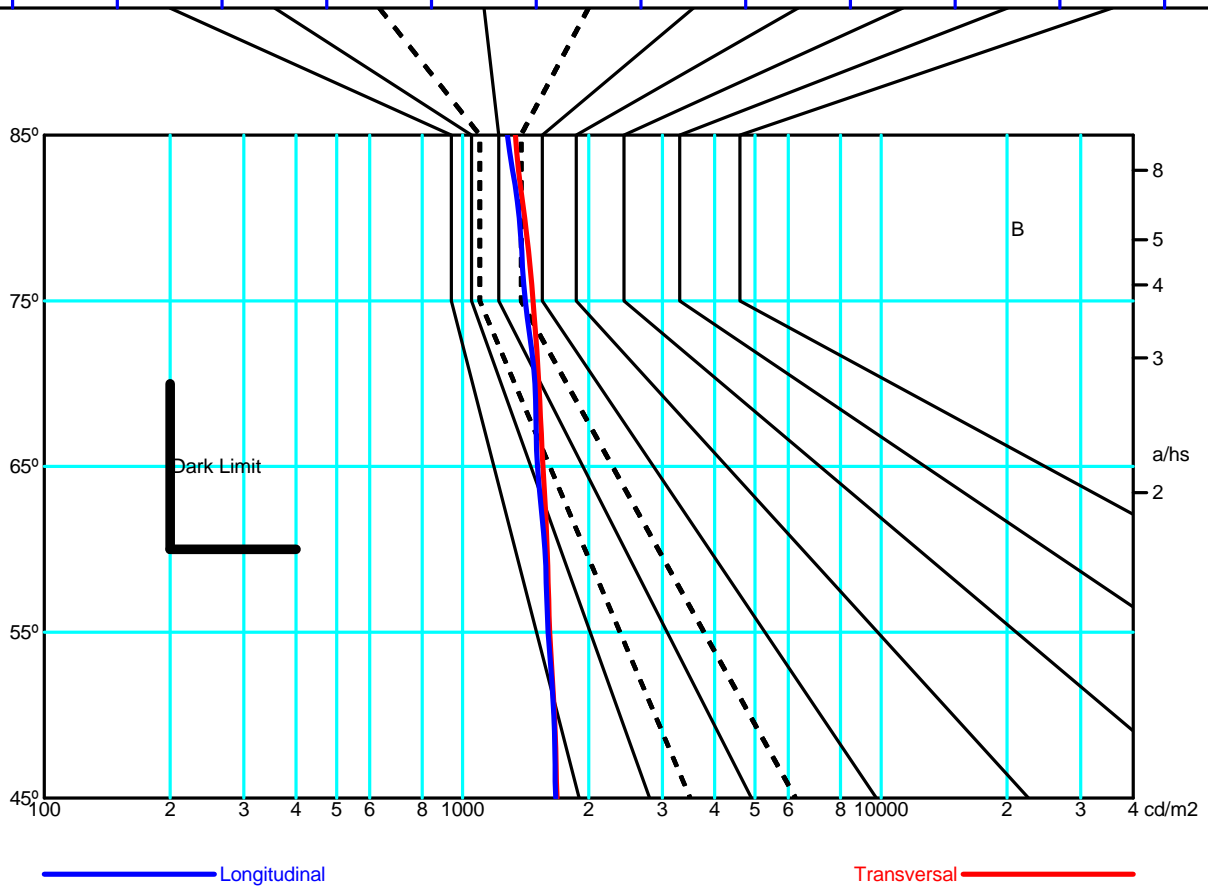
Measur.

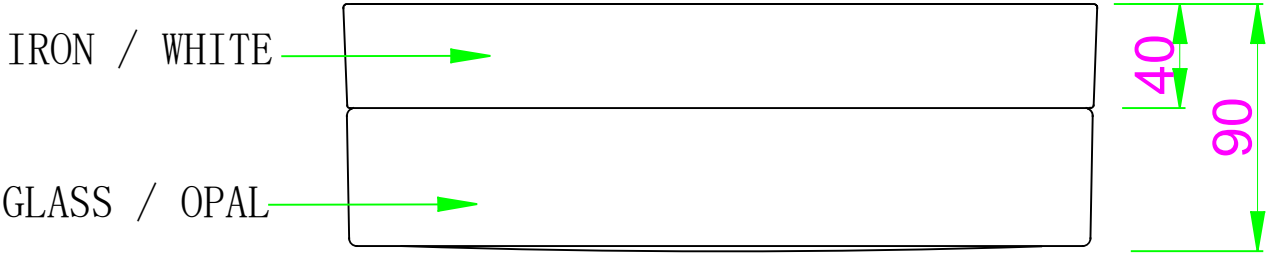
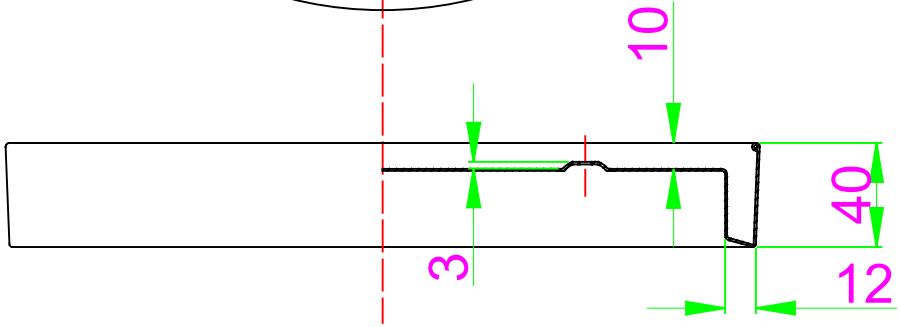
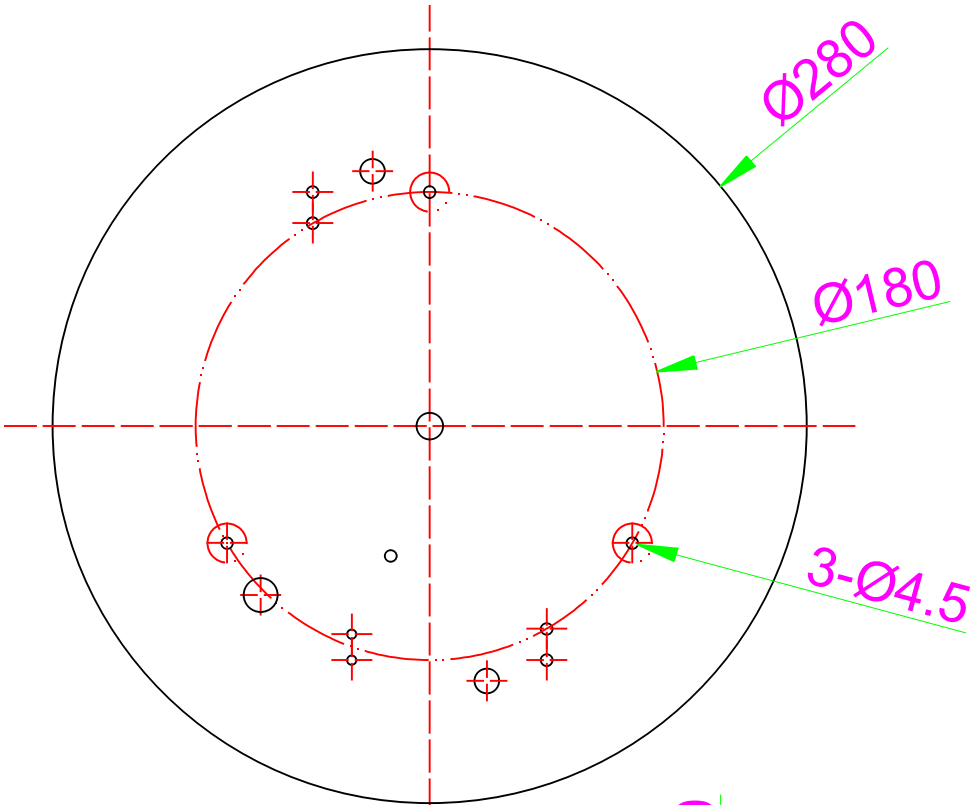
Code DE-0199-BLA
 Name Plafón 2x40W inc. E27 opal

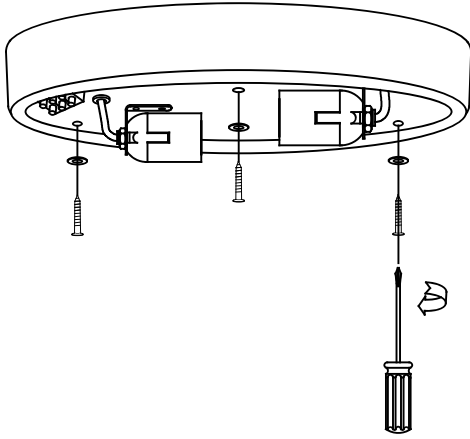
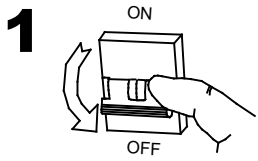
Luminaire Flux	512.67 lm	Luminaire Power	80.00 W	Efficacy	6.41 lm/W	Efficiency	61.03%
Lamps Flux	840.00 lm	Maximum value	140.05 cd/klm	Position	C=45.00 G=5.00	CG	Double Symmetrical

		Average Luminance [cd/m ²]									
		45°	50°	55°	60°	65°	70°	75°	80°	85°	
0.0°	1681	1658	1616	1593	1556	1520	1474	1407	1336	---	
90.0°	1669	1653	1601	1573	1510	1489	1411	1366	1279	---	

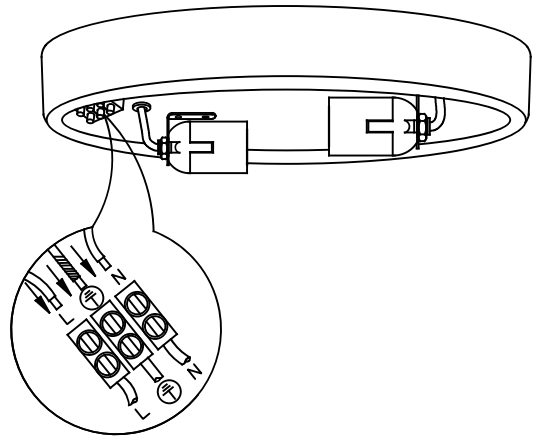
Flush mounted or transversal view												
		Illumination(lx)										
A	A	2000	1000	750	500		<300				1.15	
B	1		2000	1500	1000	750	500	<300			1.5	
C					2000		1000	500	<300		1.85	
D	2						2000	1000	500	<300	2.2	
E	3							2000	1000	500	<300	2.55



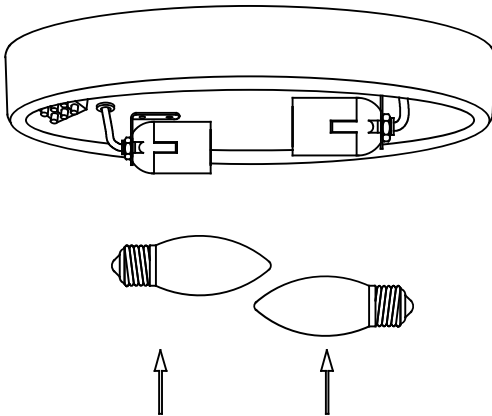




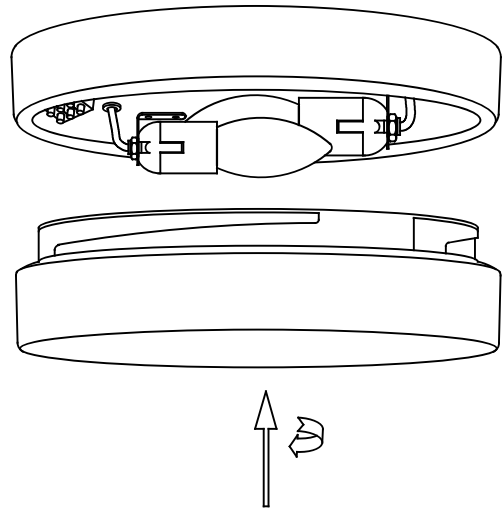
2



3



4



5

