



DE-0227-MAR

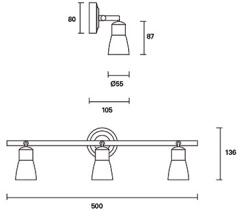
V0

SAFRAN Spotlight

Description


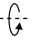
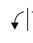
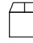
Wall light for indoor use.

For downlighting. The optical module can easily be rotated 360°. Structure material: Steel. Structure finish: Brown. Warranty: 5 Years. 11Product net weight (Kg): 0.4951Product length (mm): 5001Product height (mm): 1361Product aperture (mm): 10511Class I. Glow wire test: 960. IP: IP20. GU10. Maximum length of luminaire bulb: 54.000. Maximum diameter of luminaire bulb: 50.000. No. of lampholders or LEDs: 3. Maximum power of light source: Max. 7W. UGR: 16.4. Real flux (lm): 550.



Finish
Brown

Material
Steel

IP20   355°  ±90°  12

TECHNICAL CHARACTERISTICS

Light source

Lampholder: 3 x GU10
Output (W): Max. 7W
Lamp maximum dimension: 54/50 mm
Real Lumen: 550
Quantity: 3
UGR: 16.4

GEAR

Voltage / Frequency:
100-240V/50-60Hz

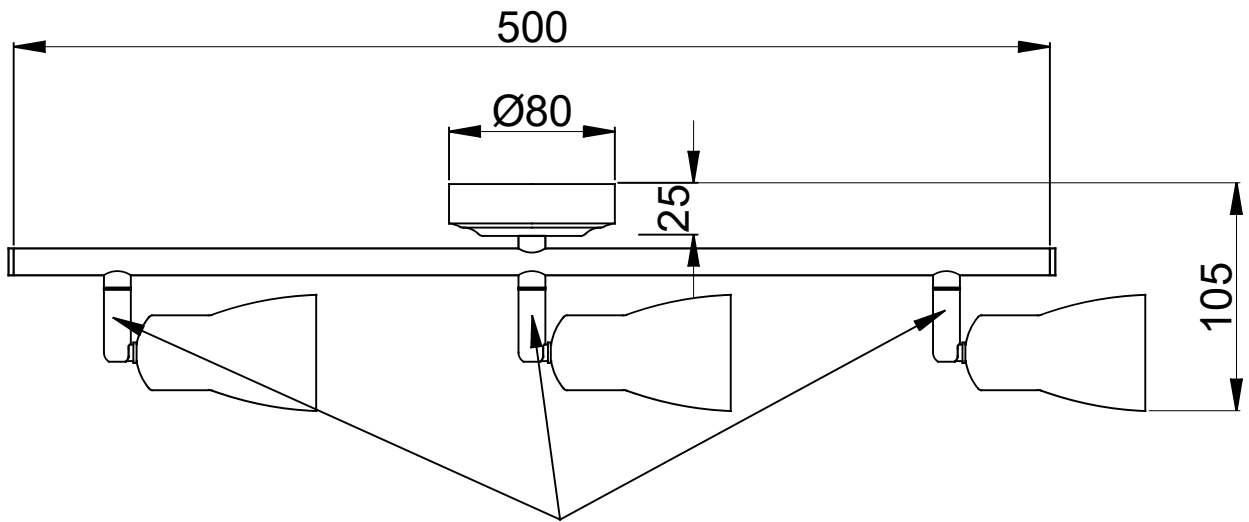
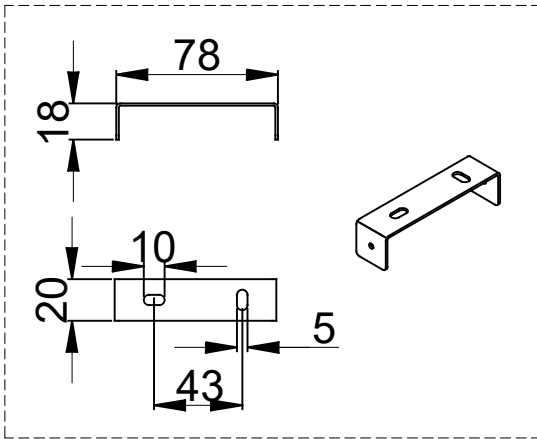
Luminaire

Warranty: 5 Years

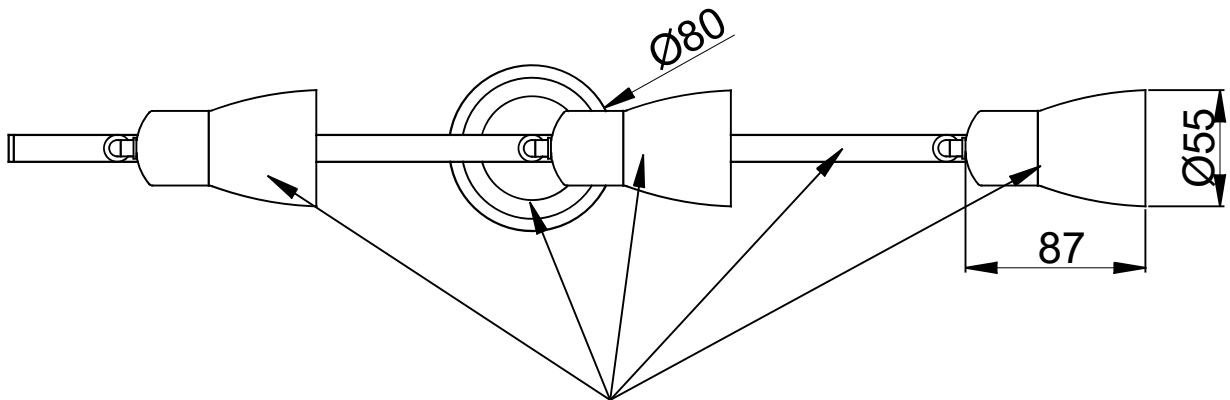
Logistics

Energy Efficiency: NO BULB
EAN Code: 8435381452667
Net Weight (Kg): 0.495
Weight in Kg (packaged): 0.724
Packing: 115 x 90 x 515
Masterbox: 12

The photograph may not match the reference exactly. Please read the product description to identify the finish.



STEEL / BROWN



STEEL / BROWN

