



Vapor

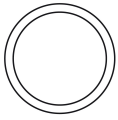
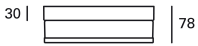
Installation Instructions
3D File
Photometry
Revit



DE-0426-CRO

Ceiling fixture IP44 Vapor LED 11.5W 3000K Chrome 560lm

TECHNICAL FEATURES



Ø236



Power (W) : 11.5W

Total power consumption of light (W) : 13.3W

Raw lumens : 560

Raw lm/W : 42

Colour temperature : LED warm-white 3000K

Lens / reflector angle : HORIZONTAL 131°

Structure material : Steel

Structure finish : Chrome

Diffuser material : Glass

Diffuser finish : Opal

Useful life : 36.000h L70B30

Equipment included : Yes, electronic

Voltage / frequency : 100-240V/50-60Hz

Warranty : 5 Years

Max. temperature : 25°C

Energy efficiency : LED A++

LUMINOTECHNIC FEATURES

Light source: LED

CRI: 80

MacAdam steps: 3

Photobiological risk: RG0

UGR

UGR crosswise: 19.8

UGR lengthwise: 19.7

UGR	
S=0.250	
Ceiling / cavity	0.7
Walls	0.5
Working Plane	0.2
Room dimensions	X=4H, Y=8H
UGR crosswise	19.8
UGR lengthwise	19.7

LOGISTICS

Net weight (kg): 1.29

Packaged weight (kg): 1.66

Packaging: 275mm x 275mm x 115mm



6 Un



Luminaire

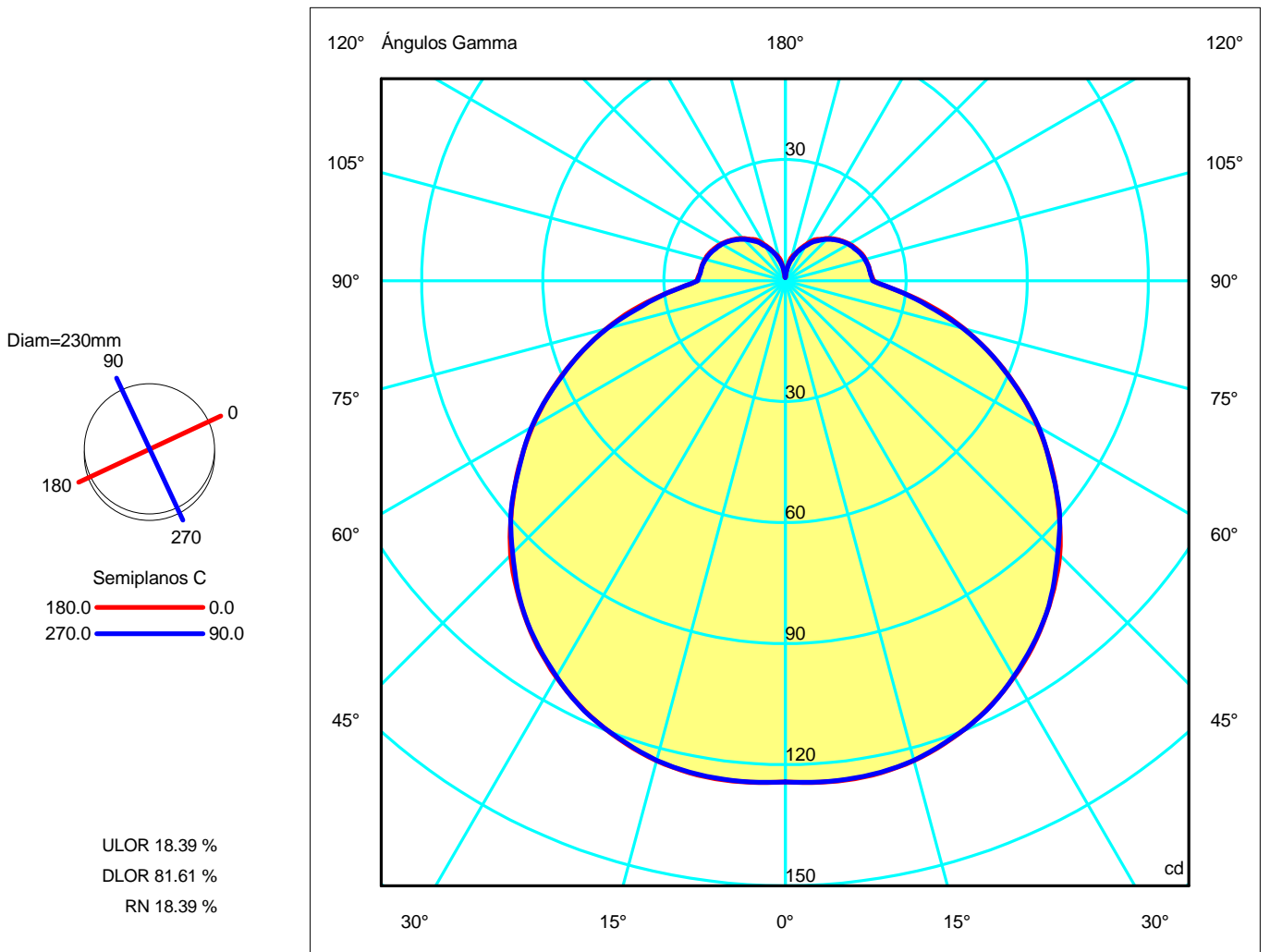
Code DE-0426-CRO
Name APLIQUE LEDS

Measur.

Code CL116A17F351G
Name APLIQUE LEDS

Luminaire Flux	559.52 lm	Luminaire Power	13.11 W	Efficacy	42.68 lm/W	Efficiency	100.00%
Lamps Flux	559.52 lm	Maximum value	124.67 cd	Position	C=0.00 G=5.00	CG	Double Symmetrical
Round Luminaire Round Luminous Area		Diam. Diam.	230 mm 230 mm	Height Height	80 mm 45 mm		
Horizontal Luminous Area Emitting area on Plane 0° Emitting area on Plane 90°		0.041548 m2 0.010350 m2 0.010350 m2		Emitting area on Plane 180° Emitting area on Plane 270° Glare area at 76°		0.010350 m2 0.010350 m2 0.020094 m2	
Coordinate system Date Measurement Distance		CG 07-11-2017 6.44		Symmetry Type Maximum Gamma Angle Measurement Flux		Double Symmetrical 180 559.52 lm	
Operator Temperature Humidity Notes		Asselum T2 25.20 °C 52.00 % RM171030001.1		Source Voltage [V] Source current [A] Photocell		230.10 V 0.12 A Prc	

Line	Code	Luminaire Lamps Name	Flux [lm]	Pow. [W]	Q.ty
	DE-0426-CRO	APLIQUE LEDS	559.52	13.11	1
C.I.E.	39 69 89 82 100	D DIN 5040	B21		
F UTE	0.82 G + 0.18 T	B NBN	BZ 6 / 0.8 / BZ 5 / 1.25 / BZ 6 / 2.5 / BZ 5 / 3 / BZ 6		



Luminaire

Code DE-0426-CRO
Name APLIQUE LEDS

Measur.

Code CL116A17F351G
Name APLIQUE LEDS

Luminaire Flux	559.52 lm	Luminaire Power	13.11 W	Efficacy	42.68 lm/W	Efficiency	100.00%
Lamps Flux	559.52 lm	Maximum value	124.67 cd	Position	C=0.00 G=5.00	CG	Double Symmetrical

Luminous Intensity Table cd Table 1/1

	C 0.00	C 15.00	C 30.00	C 45.00	C 60.00	C 75.00	C 90.00
G 0.0	124.27	124.27	124.27	124.27	124.27	124.27	124.27
G 5.0	124.67	124.64	124.58	124.59	124.57	124.57	124.57
G 10.0	124.43	124.36	124.31	124.28	124.32	124.29	124.25
G 15.0	123.14	123.12	123.06	123.11	122.98	122.93	123.06
G 20.0	120.79	120.79	120.72	120.69	120.88	120.81	120.66
G 25.0	117.58	117.54	117.54	117.64	117.48	117.44	117.68
G 30.0	113.42	113.43	113.34	113.35	113.46	113.39	113.28
G 35.0	108.45	108.45	108.41	108.24	108.37	108.23	108.28
G 40.0	102.60	102.64	102.56	102.53	102.09	102.21	102.42
G 45.0	96.15	96.03	95.73	95.48	95.94	95.88	95.45
G 50.0	88.47	88.67	88.57	88.80	88.18	88.15	88.64
G 55.0	80.53	80.58	80.67	80.42	80.97	80.70	80.34
G 60.0	72.24	72.20	72.16	72.46	72.13	72.06	72.51
G 65.0	63.63	63.59	63.55	63.56	63.46	63.55	63.48
G 70.0	54.69	54.77	54.63	54.68	54.63	54.58	54.65
G 75.0	45.77	45.78	45.70	45.66	45.36	45.06	45.49
G 80.0	36.77	36.76	36.37	36.09	36.58	36.55	35.90
G 85.0	27.71	27.40	27.62	27.67	27.22	27.19	27.83
G 90.0	21.86	21.59	21.88	21.58	21.83	21.64	21.66
G 95.0	21.20	21.20	21.17	21.18	21.15	21.15	21.13
G100.0	20.96	20.93	20.89	20.93	20.89	20.87	20.89
G105.0	20.55	20.49	20.45	20.45	20.44	20.41	20.40
G110.0	19.95	19.85	19.82	19.82	19.77	19.70	19.74
G115.0	19.16	19.06	19.01	18.97	18.99	18.96	18.91
G120.0	18.22	18.02	18.04	18.10	17.97	17.99	18.08
G125.0	17.16	16.93	16.93	16.98	16.99	17.01	16.96
G130.0	16.00	15.76	15.75	15.81	15.76	15.76	15.75
G135.0	14.76	14.47	14.41	14.46	14.41	14.43	14.47
G140.0	13.38	13.10	12.94	13.19	13.02	13.00	12.98
G145.0	12.25	11.67	11.54	11.50	11.43	11.62	11.63
G150.0	10.31	10.09	9.87	9.84	9.92	9.92	9.82
G155.0	8.60	8.47	8.38	8.29	8.27	8.19	8.32
G160.0	7.00	6.79	6.75	6.61	6.64	6.62	6.59
G165.0	5.91	5.23	5.08	5.03	5.01	4.98	4.95
G170.0	3.76	2.97	3.26	3.49	3.28	3.35	3.36
G175.0	0.95	1.33	1.28	1.53	1.38	1.76	1.63
G180.0	0.79	0.79	0.79	0.79	0.79	0.79	0.79

Luminaire

Code DE-0426-CRO
Name APLIQUE LEDS

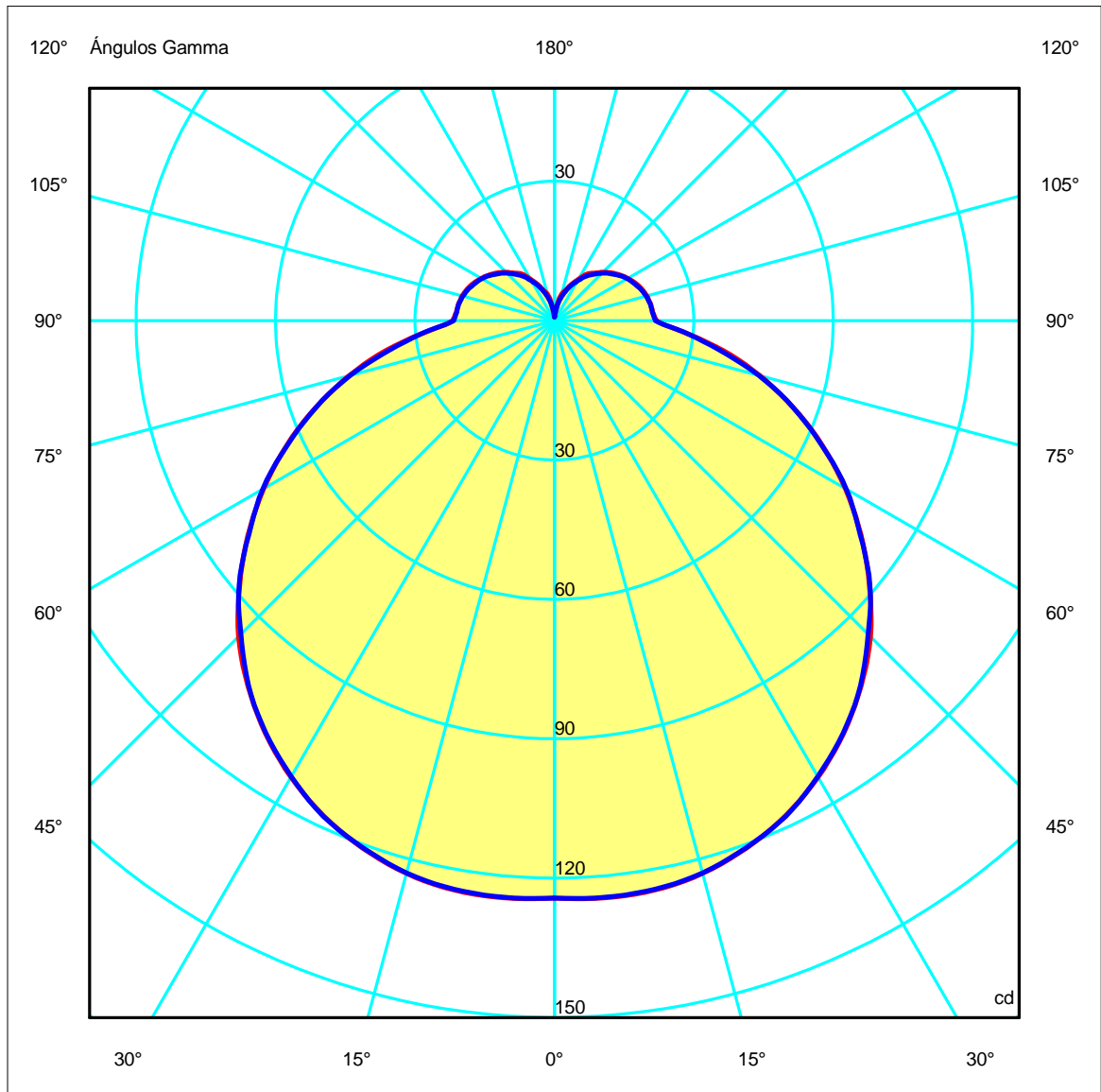
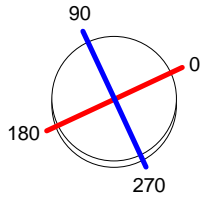
Measur.

Code CL116A17F351G
Name APLIQUE LEDS

Luminaire Flux	559.52 lm	Luminaire Power	13.11 W	Efficacy	42.68 lm/W	Efficiency	100.00%
Lamps Flux	559.52 lm	Maximum value	124.67 cd	Position	C=0.00 G=5.00	CG	Double Symmetrical

Diam=230mm

Semiplanos C



Luminaire

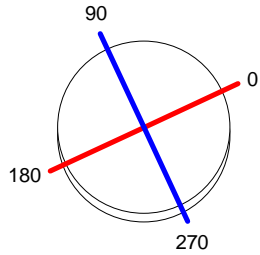
Code DE-0426-CRO
Name APLIQUE LEDS

Measur.

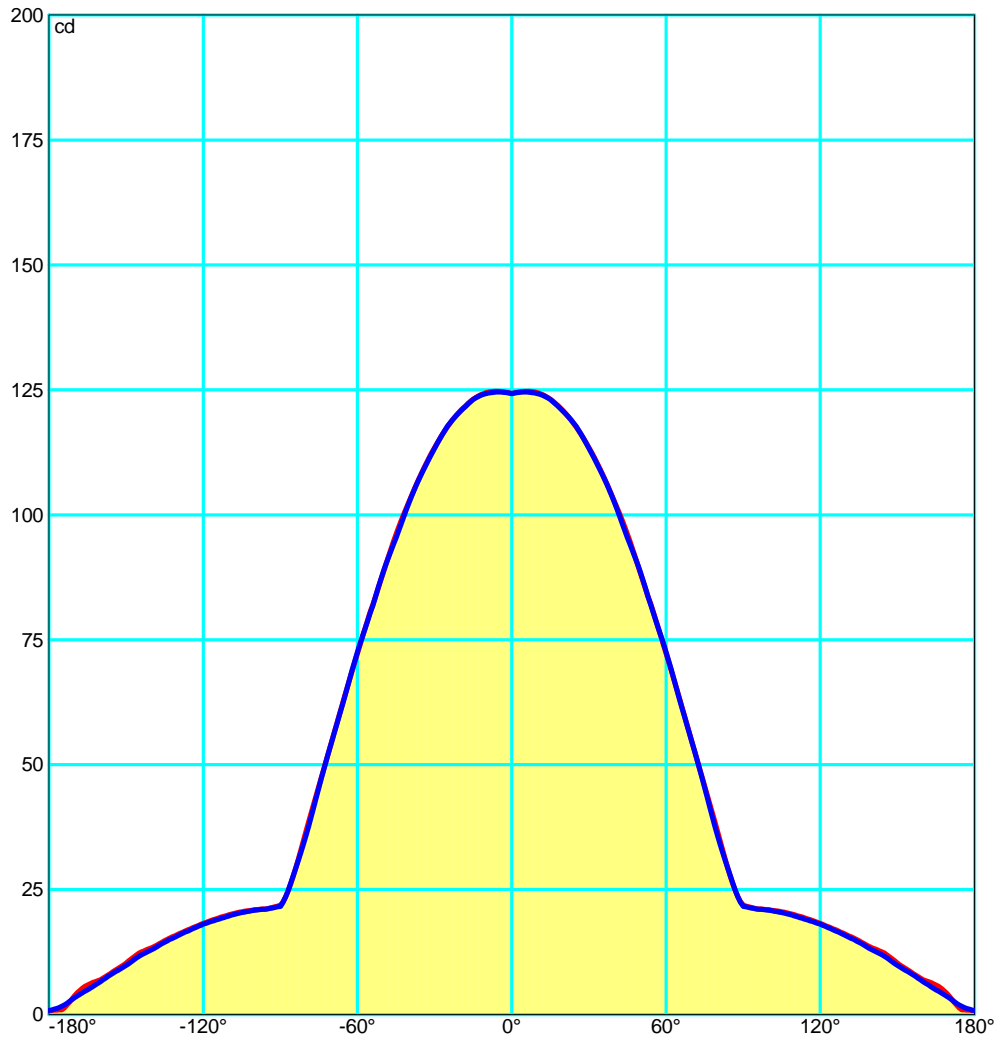
Code CL116A17F351G
Name APLIQUE LEDS

Luminaire Flux	559.52 lm	Luminaire Power	13.11 W	Efficacy	42.68 lm/W	Efficiency	100.00%
Lamps Flux	559.52 lm	Maximum value	124.67 cd	Position	C=0.00 G=5.00	CG	Double Symmetrical

Diam=230mm



Semiplanos C



Luminaire
 Code DE-0426-CRO
 Name APLIQUE LEDS
Measurerm.
 Code CL116A17F351G
 Name APLIQUE LEDS

Luminaire Flux	559.52 lm	Luminaire Power	13.11 W	Efficacy	42.68 lm/W	Efficiency	100.00%
Lamps Flux	559.52 lm	Maximum value	124.67 cd	Position	C=0.00 G=5.00	CG	Double Symmetrical

Utilizations CIE

Mounting	Direct	Normalization										Normalised										Suspension Ratio/3										Standard CIE Settings																																																																																																																																																																																																																																																																																							
Ceiling																																																																																																																																																																																																																																																																																																																							
K	8873	8773	8871	8771	7773	7771	7753	7553	7751	7551	7731	7331	7711	7111	5551	5531	5331	5511	5111	3331	3311	1111	0000	0.60	346	311	306	276	296	263	225	191	205	175	166	125	138	94	164	134	119	112	90	112	95	82	69	0.80	391	358	330	304	341	291	264	231	230	203	187	149	155	113	189	156	141	130	108	133	112	99	82	1.00	421	391	341	319	372	306	294	262	246	221	202	166	168	129	207	172	158	144	123	150	126	113	92	1.25	447	421	347	328	401	315	323	293	259	237	215	183	180	144	223	187	174	158	138	166	141	127	102	1.50	466	442	348	332	421	320	346	318	267	248	225	196	191	157	233	199	186	170	151	178	153	139	110	2.00	489	470	344	333	448	322	380	355	276	260	238	214	206	177	247	215	204	187	170	196	172	158	123	2.50	504	488	340	331	466	321	404	382	281	268	247	226	217	192	255	226	216	200	185	208	185	173	131	3.00	514	500	335	328	478	319	422	402	283	272	252	234	225	203	260	233	225	209	196	217	196	184	138	4.00	527	516	328	323	494	315	446	430	286	278	260	246	237	218	266	244	237	223	212	229	210	199	147	5.00	535	526	324	319	504	312	463	449	288	281	265	253	245	229	270	250	245	232	222	237	220	210	153	10.00	551	546	310	308	524	303	500	492	289	286	276	269	263	254	277	265	262	253	247	255	244	235	167	20.00	558	556	301	300	534	296	520	516	288	287	281	277	273	269	279	272	271	265	262	264	258	251	175

Wall

K	8873	8773	8871	8771	7773	7771	7753	7553	7751	7551	7731	7331	7711	7111	5551	5531	5331	5511	5111	3331	3311	1111	0000	0.60	456	437	405	390	427	382	336	321	308	295	259	243	223	207	289	245	239	213	205	236	206	201	183	0.80	524	504	454	440	490	429	399	381	358	344	307	290	269	251	334	290	284	257	248	278	248	241	219	1.00	573	553	486	473	535	460	447	428	394	380	344	326	305	286	367	324	317	290	281	310	280	271	247	1.25	618	600	514	502	578	488	494	475	427	414	379	361	341	321	398	357	350	324	314	341	311	301	273	1.50	653	636	534	524	611	509	531	512	452	440	406	389	369	350	422	383	376	351	341	365	337	325	295	2.00	697	682	556	548	653	532	582	565	483	473	443	427	409	390	451	417	411	388	378	397	371	357	323	2.50	727	714	570	564	683	547	618	602	505	495	468	454	437	420	472	442	436	415	405	419	396	380	343	3.00	748	737	580	575	704	558	646	631	520	512	487	474	458	442	487	460	454	435	426	436	415	397	358	4.00	784	774	600	595	738	578	689	676	547	540	519	508	494	480	514	490	486	469	461	465	446	426	384	5.00	810	802	615	612	764	595	722	710	568	562	544	534	521	509	534	514	510	495	488	487	471	450	405	10.00	880	876	662	660	834	643	808	801	627	624	612	606	597	589	593	580	578	568	563	551	541	516	466	20.00	933	931	701	700	887	683	871	867	673	672	664	661	655	651	640	632	631	625	622	602	595	568	516
---	------	------	------	------	------	------	------	------	------	------	------	------	------	------	------	------	------	------	------	------	------	------	------	------	-----	-----	-----	-----	-----	-----	-----	-----	-----	-----	-----	-----	-----	-----	-----	-----	-----	-----	-----	-----	-----	-----	-----	------	-----	-----	-----	-----	-----	-----	-----	-----	-----	-----	-----	-----	-----	-----	-----	-----	-----	-----	-----	-----	-----	-----	-----	------	-----	-----	-----	-----	-----	-----	-----	-----	-----	-----	-----	-----	-----	-----	-----	-----	-----	-----	-----	-----	-----	-----	-----	------	-----	-----	-----	-----	-----	-----	-----	-----	-----	-----	-----	-----	-----	-----	-----	-----	-----	-----	-----	-----	-----	-----	-----	------	-----	-----	-----	-----	-----	-----	-----	-----	-----	-----	-----	-----	-----	-----	-----	-----	-----	-----	-----	-----	-----	-----	-----	------	-----	-----	-----	-----	-----	-----	-----	-----	-----	-----	-----	-----	-----	-----	-----	-----	-----	-----	-----	-----	-----	-----	-----	------	-----	-----	-----	-----	-----	-----	-----	-----	-----	-----	-----	-----	-----	-----	-----	-----	-----	-----	-----	-----	-----	-----	-----	------	-----	-----	-----	-----	-----	-----	-----	-----	-----	-----	-----	-----	-----	-----	-----	-----	-----	-----	-----	-----	-----	-----	-----	------	-----	-----	-----	-----	-----	-----	-----	-----	-----	-----	-----	-----	-----	-----	-----	-----	-----	-----	-----	-----	-----	-----	-----	------	-----	-----	-----	-----	-----	-----	-----	-----	-----	-----	-----	-----	-----	-----	-----	-----	-----	-----	-----	-----	-----	-----	-----	-------	-----	-----	-----	-----	-----	-----	-----	-----	-----	-----	-----	-----	-----	-----	-----	-----	-----	-----	-----	-----	-----	-----	-----	-------	-----	-----	-----	-----	-----	-----	-----	-----	-----	-----	-----	-----	-----	-----	-----	-----	-----	-----	-----	-----	-----	-----	-----

Working Pl.

K	8873	8773	8871	8771	7773	7771	7753	7553	7751	7551	7731	7331	7711	7111	5551	5531	5331	5511	5111	3331	3311	1111	0000	0.60	514	494	479	463	481	452	371	355	357	343	293	277	247	232	334	277	272	236	229	267	228	223	206	0.80	616	594	568	550	575	535	462	443	441	425	374	354	323	303	410	352	345	307	298	337	296	287	268	1.00	697	675	635	618	650	600	539	518	510	493	442	420	390	367	473	416	407	370	359	396	355	344	323	1.25	775	753	698	683	723	662	615	593	577	559	511	487	458	433	535	479	470	434	421	455	415	400	379	1.50	834	813	745	730	778	707	676	653	628	611	565	541	513	487	583	530	520	486	472	502	464	446	423	2.00	920	901	811	799	860	773	769	746	705	689	648	625	600	573	655	608	599	567	553	575	540	517	494	2.50	978	961	853	843	915	816	833	811	756	742	705	683	660	635	703	661	652	624	610	624	593	566	542	3.00	1000	1000	883	874	955	846	880	860	793	780	746	726	705	681	738	700	692	666	653	660	632	602	578	4.00	1000	1000	920	913	1000	883	943	926	840	830	801	784	765	744	783	751	744	722	710	708	683	649	624	5.00	1000	1000	943	937	1000	907	984	969	870	861	836	821	805	785	812	784	778	759	748	738	717	679	654	10.00	1000	1000	991	988	1000	957	1000	1000	935	931	915	906	895	883	876	859	855	843	836	807	794	749	723	20.00	1000	1000	1000	1000	1000	985	1000	1000	973	970	961	956	950	943	913	903	901	894	890	849	841	791	765
---	------	------	------	------	------	------	------	------	------	------	------	------	------	------	------	------	------	------	------	------	------	------	------	------	-----	-----	-----	-----	-----	-----	-----	-----	-----	-----	-----	-----	-----	-----	-----	-----	-----	-----	-----	-----	-----	-----	-----	------	-----	-----	-----	-----	-----	-----	-----	-----	-----	-----	-----	-----	-----	-----	-----	-----	-----	-----	-----	-----	-----	-----	-----	------	-----	-----	-----	-----	-----	-----	-----	-----	-----	-----	-----	-----	-----	-----	-----	-----	-----	-----	-----	-----	-----	-----	-----	------	-----	-----	-----	-----	-----	-----	-----	-----	-----	-----	-----	-----	-----	-----	-----	-----	-----	-----	-----	-----	-----	-----	-----	------	-----	-----	-----	-----	-----	-----	-----	-----	-----	-----	-----	-----	-----	-----	-----	-----	-----	-----	-----	-----	-----	-----	-----	------	-----	-----	-----	-----	-----	-----	-----	-----	-----	-----	-----	-----	-----	-----	-----	-----	-----	-----	-----	-----	-----	-----	-----	------	-----	-----	-----	-----	-----	-----	-----	-----	-----	-----	-----	-----	-----	-----	-----	-----	-----	-----	-----	-----	-----	-----	-----	------	------	------	-----	-----	-----	-----	-----	-----	-----	-----	-----	-----	-----	-----	-----	-----	-----	-----	-----	-----	-----	-----	-----	------	------	------	-----	-----	------	-----	-----	-----	-----	-----	-----	-----	-----	-----	-----	-----	-----	-----	-----	-----	-----	-----	-----	------	------	------	-----	-----	------	-----	-----	-----	-----	-----	-----	-----	-----	-----	-----	-----	-----	-----	-----	-----	-----	-----	-----	-------	------	------	-----	-----	------	-----	------	------	-----	-----	-----	-----	-----	-----	-----	-----	-----	-----	-----	-----	-----	-----	-----	-------	------	------	------	------	------	-----	------	------	-----	-----	-----	-----	-----	-----	-----	-----	-----	-----	-----	-----	-----	-----	-----

LM53 SHR C0-C180: 1.349 SHR C90-C270: 1.349 SHR Square: 1.480

Luminaire

Code DE-0426-CRO
Name APLIQUE LEDS

Measuram.

Code CL116A17F351G
Name APLIQUE LEDS

Luminaire Flux	559.52 lm	Luminaire Power	13.11 W	Efficacy	42.68 lm/W	Efficiency	100.00%
Lamps Flux	559.52 lm	Maximum value	124.67 cd	Position	C=0.00 G=5.00	CG	Double Symmetrical

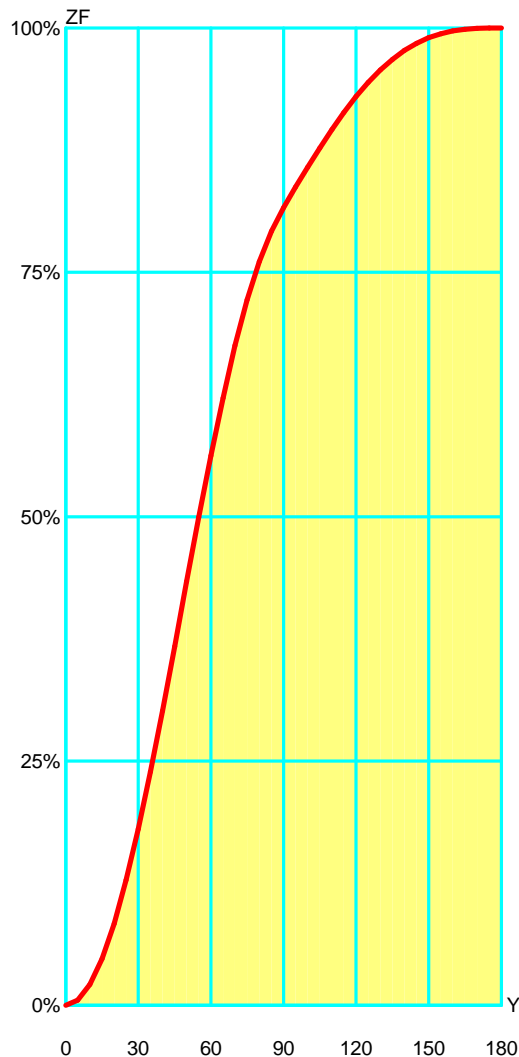
Flujo Total=559.52 Flujo Luminaria=559.52

RI	0.60	0.80	1.00	1.25	1.50	2.00	2.50	3.00	4.00	5.00	10.00	20.00
DRR	0.25	0.33	0.40	0.46	0.52	0.60	0.66	0.71	0.76	0.80	0.89	0.94
RC	6	6	6	7	7	7	7	7	7	7	7	7

Flujo Zonal por 1000 Lúmenes																		
Y°	10	20	30	40	50	60	70	80	90	100	110	120	130	140	150	160	170	180
ZF(Y)	21	83	180	301	434	563	675	761	816	858	896	930	957	977	990	997	1000	1000

Códigos de Flujo C.I.E.
39 69 89 82 100

C.I.E.	6/6/6/7/7/7/7/7/7/7/7	LOR	100.00000 %
D DIN 5040	B21	ULOR	18.38882 %
F UTE	0.82 G + 0.18 T	DLOR	81.61118 %
B NBN	BZ 6 / 0.8 / BZ 5 / 1.25 / BZ 6 / 2.5 / BZ 5 / 3 / BZ 6	DFF	18.38882 %
RN	18.38882 %	DFF	81.61118 %
BLF	1.0	FFR	22.53224 %



Flujo Zonal				
Gamma °	Flujo	Suma lm	Flujo [%]	Suma [%]
0°	0.00	0.00	0.00%	0.00 %
5°	5.32	5.32	0.53 %	0.53 %
10°	15.91	21.23	1.59 %	2.12 %
15°	26.23	47.46	2.62 %	4.75 %
20°	35.91	83.37	3.59 %	8.34 %
25°	44.67	128.04	4.47 %	12.80 %
30°	52.23	180.27	5.22 %	18.03 %
35°	58.36	238.63	5.84 %	23.86 %
40°	62.85	301.48	6.28 %	30.15 %
45°	65.60	367.08	6.56 %	36.71 %
50°	66.56	433.63	6.66 %	43.36 %
55°	65.72	499.35	6.57 %	49.94 %
60°	63.15	562.50	6.31 %	56.25 %
65°	58.99	621.49	5.90 %	62.15 %
70°	53.49	674.99	5.35 %	67.50 %
75°	46.81	721.79	4.68 %	72.18 %
80°	39.20	761.00	3.92 %	76.10 %
85°	31.05	792.04	3.10 %	79.20 %
90°	24.07	816.11	2.41 %	81.61 %
95°	20.98	837.10	2.10 %	83.71 %
100°	20.43	857.53	2.04 %	85.75 %
105°	19.78	877.31	1.98 %	87.73 %
110°	18.81	896.11	1.88 %	89.61 %
115°	17.56	913.68	1.76 %	91.37 %
120°	16.10	929.77	1.61 %	92.98 %
125°	14.47	944.24	1.45 %	94.42 %
130°	12.73	956.98	1.27 %	95.70 %
135°	10.92	967.90	1.09 %	96.79 %
140°	9.11	977.02	0.91 %	97.70 %
145°	7.36	984.38	0.74 %	98.44 %
150°	5.68	990.05	0.57 %	99.01 %
155°	4.14	994.19	0.41 %	99.42 %
160°	2.82	997.01	0.28 %	99.70 %
165°	1.74	998.75	0.17 %	99.88 %
170°	0.90	999.65	0.09 %	99.96 %
175°	0.30	999.95	0.03 %	100.00 %
180°	0.05	1000.00	0.00 %	100.00 %

Luminaire

Code DE-0426-CRO
Name APLIQUE LEDS

Measurement

Code CL116A17F351G
Name APLIQUE LEDS

Luminaire Flux	559.52 lm	Luminaire Power	13.11 W	Efficacy	42.68 lm/W	Efficiency	100.00%
Lamps Flux	559.52 lm	Maximum value	124.67 cd	Position	C=0.00 G=5.00	CG	Double Symmetrical

UGR
S = 0.250

Reflectancies										
Ceiling/Cavity	0.7	0.7	0.5	0.5	0.3	0.7	0.7	0.5	0.5	0.3
Walls	0.5	0.3	0.5	0.3	0.3	0.5	0.3	0.5	0.3	0.3
WorkingPlane	0.2	0.2	0.2	0.2	0.2	0.2	0.2	0.2	0.2	0.2
RoomDimensions	ViewedCrosswise					ViewedEndwise				
x=2H y=2H	14.5	15.7	15.0	16.2	16.8	14.5	15.7	15.0	16.2	16.8
x=2H y=3H	16.4	17.5	17.0	18.0	18.7	16.4	17.5	17.0	18.0	18.7
x=2H y=4H	17.3	18.3	17.9	18.9	19.6	17.3	18.3	17.9	18.9	19.5
x=2H y=6H	18.1	19.0	18.7	19.6	20.3	18.0	19.0	18.7	19.6	20.3
x=2H y=8H	18.4	19.4	19.1	20.0	20.7	18.4	19.3	19.0	19.9	20.6
x=2H y=12H	18.8	19.6	19.4	20.2	21.0	18.7	19.6	19.3	20.2	20.9
x=4H y=2H	15.3	16.3	15.9	16.9	17.6	15.3	16.3	15.9	16.9	17.6
x=4H y=3H	17.4	18.2	18.0	18.9	19.6	17.4	18.2	18.0	18.8	19.6
x=4H y=4H	18.4	19.2	19.1	19.8	20.6	18.4	19.1	19.0	19.8	20.5
x=4H y=6H	19.4	20.0	20.0	20.7	21.5	19.3	20.0	20.0	20.7	21.4
x=4H y=8H	19.8	20.4	20.5	21.1	21.9	19.7	20.4	20.4	21.1	21.8
x=4H y=12H	20.2	20.7	20.9	21.4	22.3	20.1	20.7	20.8	21.4	22.2
x=8H y=4H	18.8	19.5	19.5	20.2	20.9	18.8	19.4	19.5	20.1	20.9
x=8H y=6H	20.0	20.5	20.7	21.2	22.1	19.9	20.5	20.7	21.2	22.0
x=8H y=8H	20.5	21.0	21.3	21.7	22.6	20.5	21.0	21.2	21.7	22.5
x=8H y=12H	21.0	21.4	21.8	22.2	23.1	21.0	21.4	21.8	22.2	23.0
x=12H y=4H	18.9	19.5	19.6	20.2	21.0	18.9	19.4	19.6	20.1	21.0
x=12H y=6H	20.1	20.6	20.8	21.3	22.1	20.1	20.5	20.8	21.3	22.1
x=12H y=8H	20.7	21.1	21.5	21.9	22.7	20.7	21.1	21.4	21.8	22.7

Luminaire

Code DE-0426-CRO
 Name APLIQUE LEDS
Measur.
 Code CL116A17F351G
 Name APLIQUE LEDS

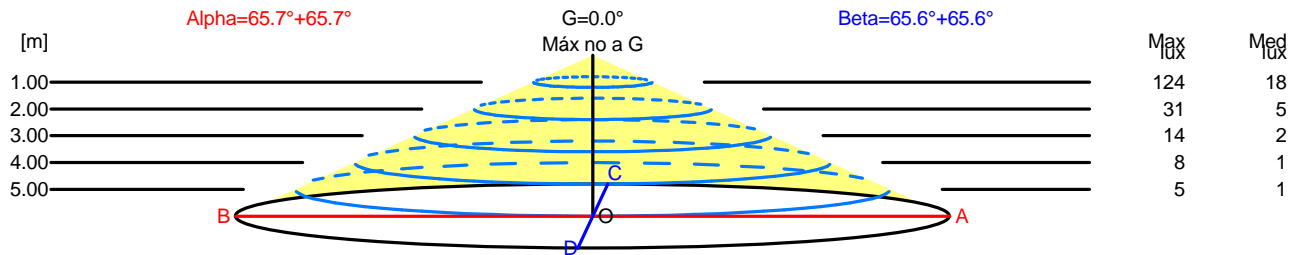
Luminaire Flux	559.52 lm	Luminaire Power	13.11 W	Efficacy	42.68 lm/W	Efficiency	100.00%
Lamps Flux	559.52 lm	Maximum value	124.67 cd	Position	C=0.00 G=5.00	CG	Double Symmetrical

Width at 50.00 % of Max Intensity

H[m]	1.00	2.00	3.00	4.00	5.00	H[m]	1.00	2.00	3.00	4.00	5.00
OA	2.22	4.43	6.65	8.87	11.09	OC	2.21	4.41	6.62	8.83	11.04
OB	2.22	4.43	6.65	8.87	11.09	OD	2.21	4.41	6.62	8.83	11.04

Luminous Intensities [cd]

	0	5	15	25	35	45	55	65	75	85
OA	124.27	124.67	123.14	117.58	108.45	96.15	80.53	63.63	45.77	27.71
OB	124.27	124.67	123.14	117.58	108.45	96.15	80.53	63.63	45.77	27.71
OC	124.27	124.57	123.06	117.68	108.28	95.45	80.34	63.48	45.49	27.83
OD	124.27	124.57	123.06	117.68	108.28	95.45	80.34	63.48	45.49	27.83



H[m]	D[m]	Max lux	Med lux	Alpha=65.7°+65.7°	G=0.0 Máx no a G	
1.00	4.43	124	18			
2.00	8.87	31	5			
3.00	13.30	14	2			
4.00	17.74	8	1			
5.00	22.17	5	1			

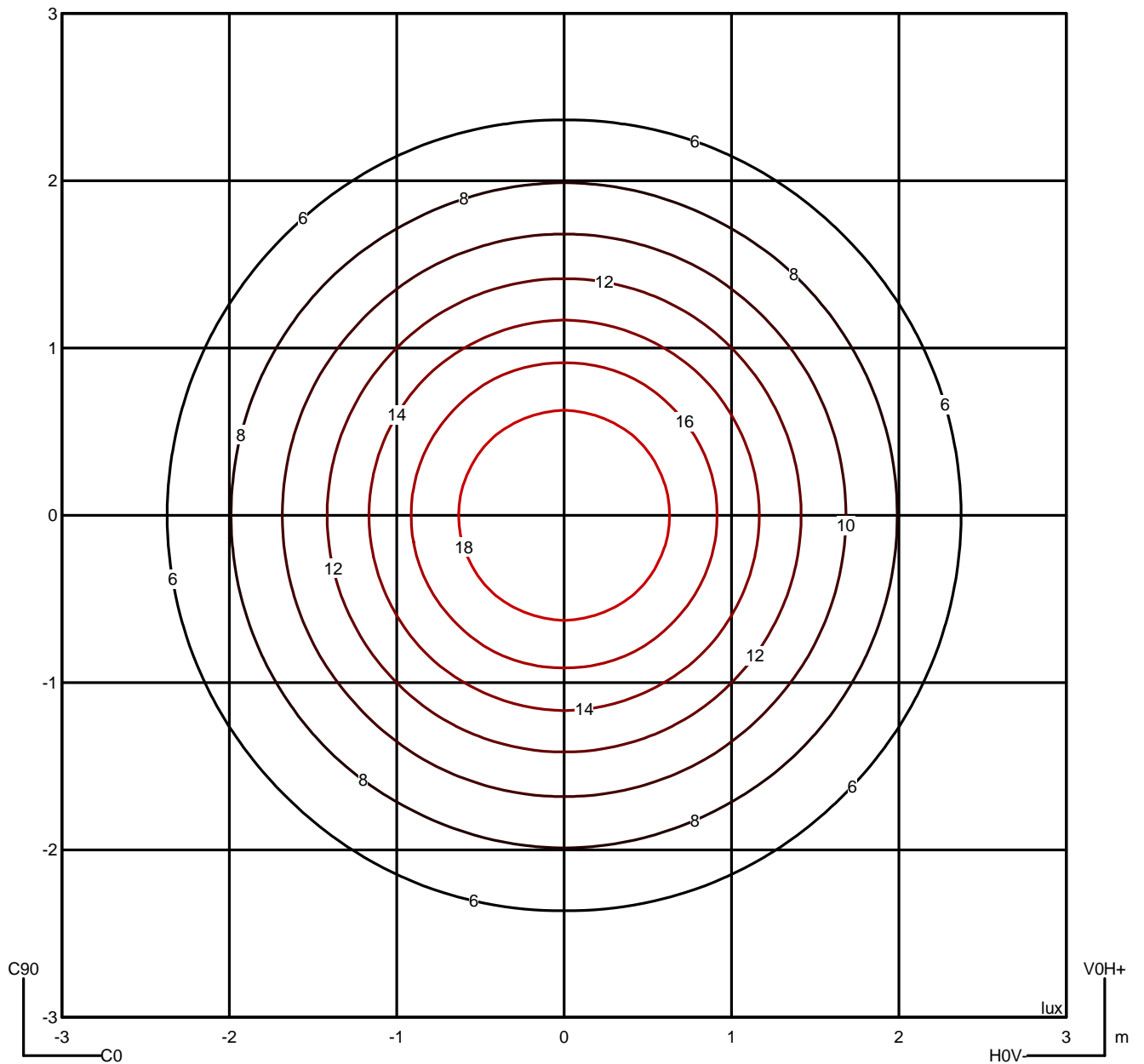
H[m]	D[m]	Max lux	Med lux	Beta=65.6°+65.6°	G=0.0 Máx no a G	
1.00	4.41	124	18			
2.00	8.83	31	5			
3.00	13.24	14	2			
4.00	17.66	8	1			
5.00	22.07	5	1			

Luminaire
 Code DE-0426-CRO
 Name APLIQUE LEDS
Measur.
 Code CL116A17F351G
 Name APLIQUE LEDS

Luminaire Flux	559.52 lm	Luminaire Power	13.11 W	Efficacy	42.68 lm/W	Efficiency	100.00%
Lamps Flux	559.52 lm	Maximum value	124.67 cd	Position	C=0.00 G=5.00	CG	Double Symmetrical

Isolux (Floor)

Luminaire position X=0.00m Y=0.00m Z=2.50m



Luminaire
 Code DE-0426-CRO
 Name APLIQUE LEDS
Measur.
 Code CL116A17F351G
 Name APLIQUE LEDS

Luminaire Flux	559.52 lm	Luminaire Power	13.11 W	Efficacy	42.68 lm/W	Efficiency	100.00%
Lamps Flux	559.52 lm	Maximum value	124.67 cd	Position	C=0.00 G=5.00	CG	Double Symmetrical

Luminance



Luminaire

 Code DE-0426-CRO
 Name APLIQUE LEDS

Measurerm.

 Code CL116A17F351G
 Name APLIQUE LEDS

Luminaire Flux	559.52 lm	Luminaire Power	13.11 W	Efficacy	42.68 lm/W	Efficiency	100.00%
Lamps Flux	559.52 lm	Maximum value	124.67 cd	Position	C=0.00 G=5.00	CG	Double Symmetrical

Luminance cd/m2 Table 1/3

	C 0.00	C 10.00	C 20.00	C 30.00	C 40.00	C 50.00	C 60.00	C 70.00	C 80.00	C 90.00	C 100.00	C 110.00	C 120.00
G 0.0	2990.91	2990.91	2990.91	2990.91	2990.91	2990.91	2990.91	2990.91	2990.91	2990.91	2990.91	2990.91	2990.91
G 5.0	2947.94	2947.47	2946.57	2945.72	2945.81	2945.83	2945.49	2945.53	2945.55	2945.45	2945.55	2945.53	2945.49
G 10.0	2913.06	2912.01	2911.12	2910.36	2909.70	2909.94	2910.59	2910.17	2909.45	2908.98	2909.45	2910.17	2910.59
G 15.0	2876.39	2876.18	2875.17	2874.40	2875.47	2875.07	2872.69	2871.36	2872.13	2874.49	2872.13	2871.36	2872.69
G 20.0	2836.53	2836.52	2836.16	2834.95	2833.96	2835.79	2838.79	2838.22	2835.92	2833.67	2835.92	2838.22	2838.79
G 25.0	2797.61	2796.84	2796.25	2796.73	2798.68	2798.26	2795.28	2793.75	2795.53	2799.94	2795.53	2793.75	2795.28
G 30.0	2755.86	2756.21	2755.44	2753.96	2753.51	2755.01	2756.85	2756.10	2754.25	2752.53	2754.25	2756.10	2756.85
G 35.0	2713.28	2713.26	2712.95	2712.34	2708.73	2708.71	2711.18	2709.04	2707.48	2709.11	2707.48	2709.04	2711.18
G 40.0	2666.40	2667.36	2666.50	2665.29	2664.79	2660.82	2652.92	2653.76	2658.14	2661.66	2658.14	2653.76	2652.92
G 45.0	2619.99	2618.23	2614.70	2608.56	2602.05	2605.09	2614.29	2615.05	2609.17	2600.87	2609.17	2615.05	2614.29
G 50.0	2554.25	2559.42	2558.83	2557.35	2563.49	2559.55	2545.97	2542.71	2548.87	2559.15	2548.87	2542.71	2545.97
G 55.0	2492.49	2493.44	2495.85	2496.76	2489.73	2493.87	2506.00	2502.66	2493.55	2486.69	2493.55	2502.66	2506.00
G 60.0	2429.24	2428.68	2426.36	2426.66	2434.64	2434.76	2425.43	2421.57	2426.77	2438.19	2426.77	2421.57	2425.43
G 65.0	2361.92	2361.10	2359.84	2359.03	2359.23	2358.08	2355.85	2357.92	2358.89	2356.43	2358.89	2357.92	2355.85
G 70.0	2284.99	2288.11	2286.42	2282.52	2283.38	2284.22	2282.41	2280.42	2280.65	2283.16	2280.65	2280.42	2282.41
G 75.0	2205.70	2206.75	2205.02	2202.15	2201.64	2197.17	2185.85	2173.35	2175.07	2192.24	2175.07	2173.35	2185.85
G 80.0	2112.13	2111.92	2106.55	2089.55	2073.80	2080.44	2101.68	2105.64	2089.73	2062.24	2089.73	2105.64	2101.68
G 85.0	1988.94	1970.06	1968.92	1982.59	1989.55	1976.69	1953.67	1946.37	1963.26	1997.63	1963.26	1946.37	1953.67
G 90.0	2112.17	2087.12	2094.98	2113.55	2093.26	2089.85	2108.90	2096.97	2088.00	2092.62	2088.00	2096.97	2108.90

Luminaire

 Code DE-0426-CRO
 Name APLIQUE LEDS

Measuram.

 Code CL116A17F351G
 Name APLIQUE LEDS

Luminaire Flux	559.52 lm	Luminaire Power	13.11 W	Efficacy	42.68 lm/W	Efficiency	100.00%
Lamps Flux	559.52 lm	Maximum value	124.67 cd	Position	C=0.00 G=5.00	CG	Double Symmetrical

Luminance cd/m2 Table 2/3

	C 130.00	C 140.00	C 150.00	C 160.00	C 170.00	C 180.00	C 190.00	C 200.00	C 210.00	C 220.00	C 230.00	C 240.00	C 250.00
G 0.0	2990.91	2990.91	2990.91	2990.91	2990.91	2990.91	2990.91	2990.91	2990.91	2990.91	2990.91	2990.91	2990.91
G 5.0	2945.83	2945.81	2945.72	2946.57	2947.47	2947.94	2947.47	2946.57	2945.72	2945.81	2945.83	2945.49	2945.53
G 10.0	2909.94	2909.70	2910.36	2911.12	2912.01	2913.06	2912.01	2911.12	2910.36	2909.70	2909.94	2910.59	2910.17
G 15.0	2875.07	2875.47	2874.40	2875.17	2876.18	2876.39	2876.18	2875.17	2874.40	2875.47	2875.07	2872.69	2871.36
G 20.0	2835.79	2833.96	2834.95	2836.16	2836.52	2836.53	2836.52	2836.16	2834.95	2833.96	2835.79	2838.79	2838.22
G 25.0	2798.26	2798.68	2796.73	2796.25	2796.84	2797.61	2796.84	2796.25	2796.73	2798.68	2798.26	2795.28	2793.75
G 30.0	2755.01	2753.51	2753.96	2755.44	2756.21	2755.86	2756.21	2755.44	2753.96	2753.51	2755.01	2756.85	2756.10
G 35.0	2708.71	2708.73	2712.34	2712.95	2713.26	2713.28	2713.26	2712.95	2712.34	2708.73	2708.71	2711.18	2709.04
G 40.0	2660.82	2664.79	2665.29	2666.50	2667.36	2666.40	2667.36	2666.50	2665.29	2664.79	2660.82	2652.92	2653.76
G 45.0	2605.09	2602.05	2608.56	2614.70	2618.23	2619.99	2618.23	2614.70	2608.56	2602.05	2605.09	2614.29	2615.05
G 50.0	2559.55	2563.49	2557.35	2558.83	2559.42	2554.25	2559.42	2558.83	2557.35	2563.49	2559.55	2545.97	2542.71
G 55.0	2493.87	2489.73	2496.76	2495.85	2493.44	2492.49	2493.44	2495.85	2496.76	2489.73	2493.87	2506.00	2502.66
G 60.0	2434.76	2434.64	2426.66	2426.36	2428.68	2429.24	2428.68	2426.36	2426.66	2434.64	2434.76	2425.43	2421.57
G 65.0	2358.08	2359.23	2359.03	2359.84	2361.10	2361.92	2361.10	2359.84	2359.03	2359.23	2358.08	2355.85	2357.92
G 70.0	2284.22	2283.38	2282.52	2286.42	2288.11	2284.99	2288.11	2286.42	2282.52	2283.38	2284.22	2282.41	2280.42
G 75.0	2197.17	2201.64	2202.15	2205.02	2206.75	2205.70	2206.75	2205.02	2202.15	2201.64	2197.17	2185.85	2173.35
G 80.0	2080.44	2073.80	2089.55	2106.55	2111.92	2112.13	2111.92	2106.55	2089.55	2073.80	2080.44	2101.68	2105.64
G 85.0	1976.69	1989.55	1982.59	1968.92	1970.06	1988.94	1970.06	1968.92	1982.59	1989.55	1976.69	1953.67	1946.37
G 90.0	2089.85	2093.26	2113.55	2094.98	2087.12	2112.17	2087.12	2094.98	2113.55	2093.26	2089.85	2108.90	2096.97

Luminaire

Code DE-0426-CRO
Name APLIQUE LEDS

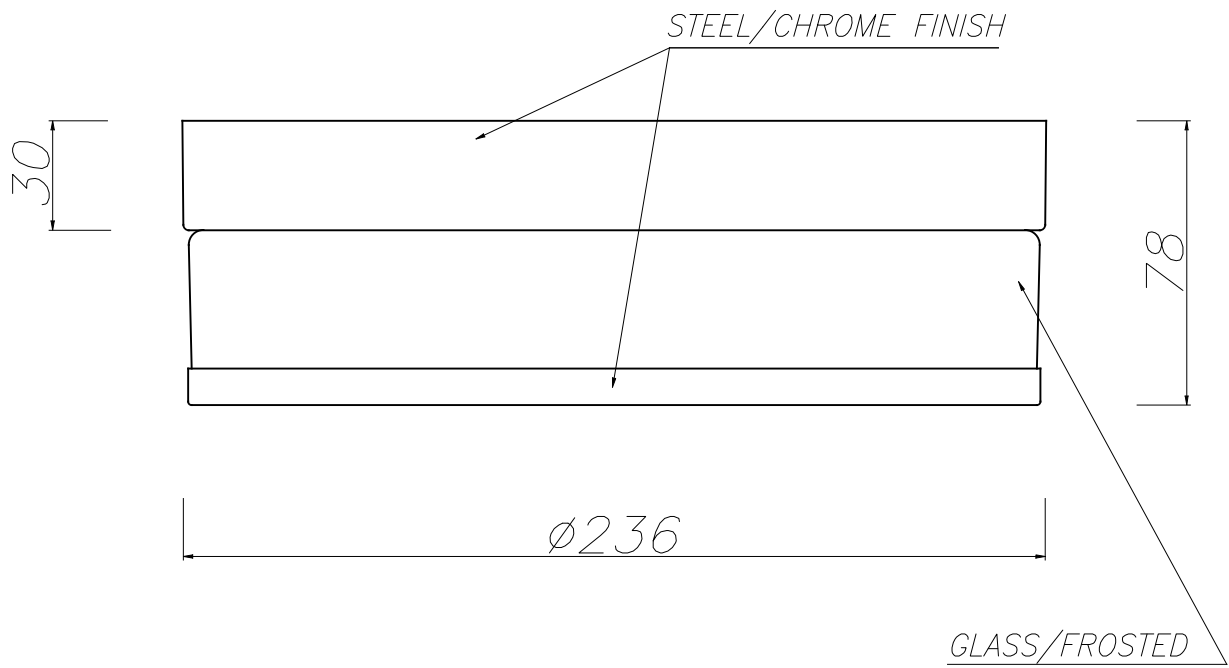
Measur.

Code CL116A17F351G
Name APLIQUE LEDS

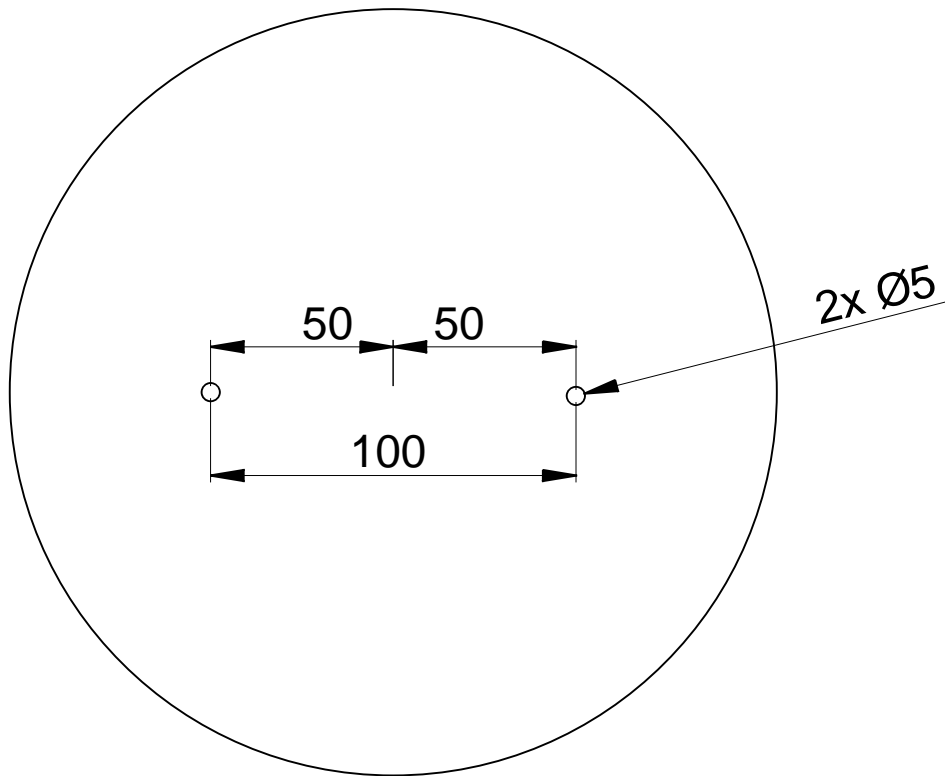
Luminaire Flux	559.52 lm	Luminaire Power	13.11 W	Efficacy	42.68 lm/W	Efficiency	100.00%
Lamps Flux	559.52 lm	Maximum value	124.67 cd	Position	C=0.00 G=5.00	CG	Double Symmetrical

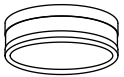
Luminance cd/m2 Table 3/3

	C 260.00	C 270.00	C 280.00	C 290.00	C 300.00	C 310.00	C 320.00	C 330.00	C 340.00	C 350.00
G 0.0	2990.91	2990.91	2990.91	2990.91	2990.91	2990.91	2990.91	2990.91	2990.91	2990.91
G 5.0	2945.55	2945.45	2945.55	2945.53	2945.49	2945.83	2945.81	2945.72	2946.57	2947.47
G 10.0	2909.45	2908.98	2909.45	2910.17	2910.59	2909.94	2909.70	2910.36	2911.12	2912.01
G 15.0	2872.13	2874.49	2872.13	2871.36	2872.69	2875.07	2875.47	2874.40	2875.17	2876.18
G 20.0	2835.92	2833.67	2835.92	2838.22	2838.79	2835.79	2833.96	2834.95	2836.16	2836.52
G 25.0	2795.53	2799.94	2795.53	2793.75	2795.28	2798.26	2798.68	2796.73	2796.25	2796.84
G 30.0	2754.25	2752.53	2754.25	2756.10	2756.85	2755.01	2753.51	2753.96	2755.44	2756.21
G 35.0	2707.48	2709.11	2707.48	2709.04	2711.18	2708.71	2708.73	2712.34	2712.95	2713.26
G 40.0	2658.14	2661.66	2658.14	2653.76	2652.92	2660.82	2664.79	2665.29	2666.50	2667.36
G 45.0	2609.17	2600.87	2609.17	2615.05	2614.29	2605.09	2602.05	2608.56	2614.70	2618.23
G 50.0	2548.87	2559.15	2548.87	2542.71	2545.97	2559.55	2563.49	2557.35	2558.83	2559.42
G 55.0	2493.55	2486.69	2493.55	2502.66	2506.00	2493.87	2489.73	2496.76	2495.85	2493.44
G 60.0	2426.77	2438.19	2426.77	2421.57	2425.43	2434.76	2434.64	2426.66	2426.36	2428.68
G 65.0	2358.89	2356.43	2358.89	2357.92	2355.85	2358.08	2359.23	2359.03	2359.84	2361.10
G 70.0	2280.65	2283.16	2280.65	2280.42	2282.41	2284.22	2283.38	2282.52	2286.42	2288.11
G 75.0	2175.07	2192.24	2175.07	2173.35	2185.85	2197.17	2201.64	2202.15	2205.02	2206.75
G 80.0	2089.73	2062.24	2089.73	2105.64	2101.68	2080.44	2073.80	2089.55	2106.55	2111.92
G 85.0	1963.26	1997.63	1963.26	1946.37	1953.67	1976.69	1989.55	1982.59	1968.92	1970.06
G 90.0	2088.00	2092.62	2088.00	2096.97	2108.90	2089.85	2093.26	2113.55	2094.98	2087.12



**INSTALLATION TEMPLATE
PLANTILLA DE INSTALACIÓN**





Vapor

DE-0426

FOR
LIGHT

