



Mix Frame Ø96mm

TC-0220-BLA

Structure Mix Frame Ø96mm Aluminium White IP65

TECHNICAL FEATURES

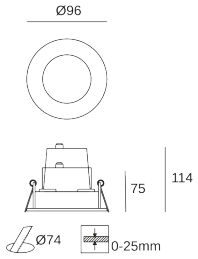


Structure material : Aluminium

Warranty : 5 Years

Structure finish : White

Easily recyclable luminaire



LUMINOTECHNIC FEATURES

Lampholder	Quantity	Light source power (W)	Correlated Colour Temperature (CCT)
-	1	-	-

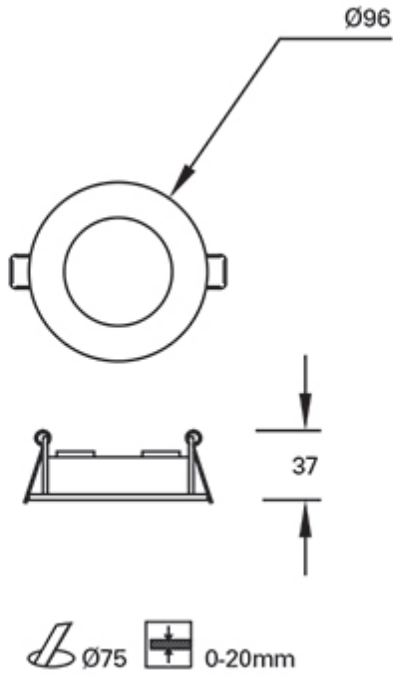
LOGISTICS

Net weight (kg): 0.12

Packaged weight (kg): 0.16

Packaging: 110mm x 50mm x 110mm







TC-0219-BLA

Structure material: Aluminium
Dimensions: 58 x 57 x NA
Net weight (kg): 0.16



TC-1700-BLA

Structure material: Aluminium
Dimensions: 58 x NA x 57
Net weight (kg): 0.16



TC-0304-BLA

Structure material: Aluminium
Dimensions: 80 x 162 x NA
Net weight (kg): 0.54



TC-0070-BLA

Structure material: Aluminium
Dimensions: 58 x NA x 57
Net weight (kg): 0.17



TC-0511-BLA

Structure material: Aluminium
Dimensions: 58 x 57 x NA
Net weight (kg): 0.2



TC-0071-BLA

Structure material: Aluminium
Dimensions: 58 x NA x 96
Net weight (kg): 0.32



TC-0422-BLA

Structure material: Aluminium
Dimensions: 58 x NA x 96
Net weight (kg): 0.31



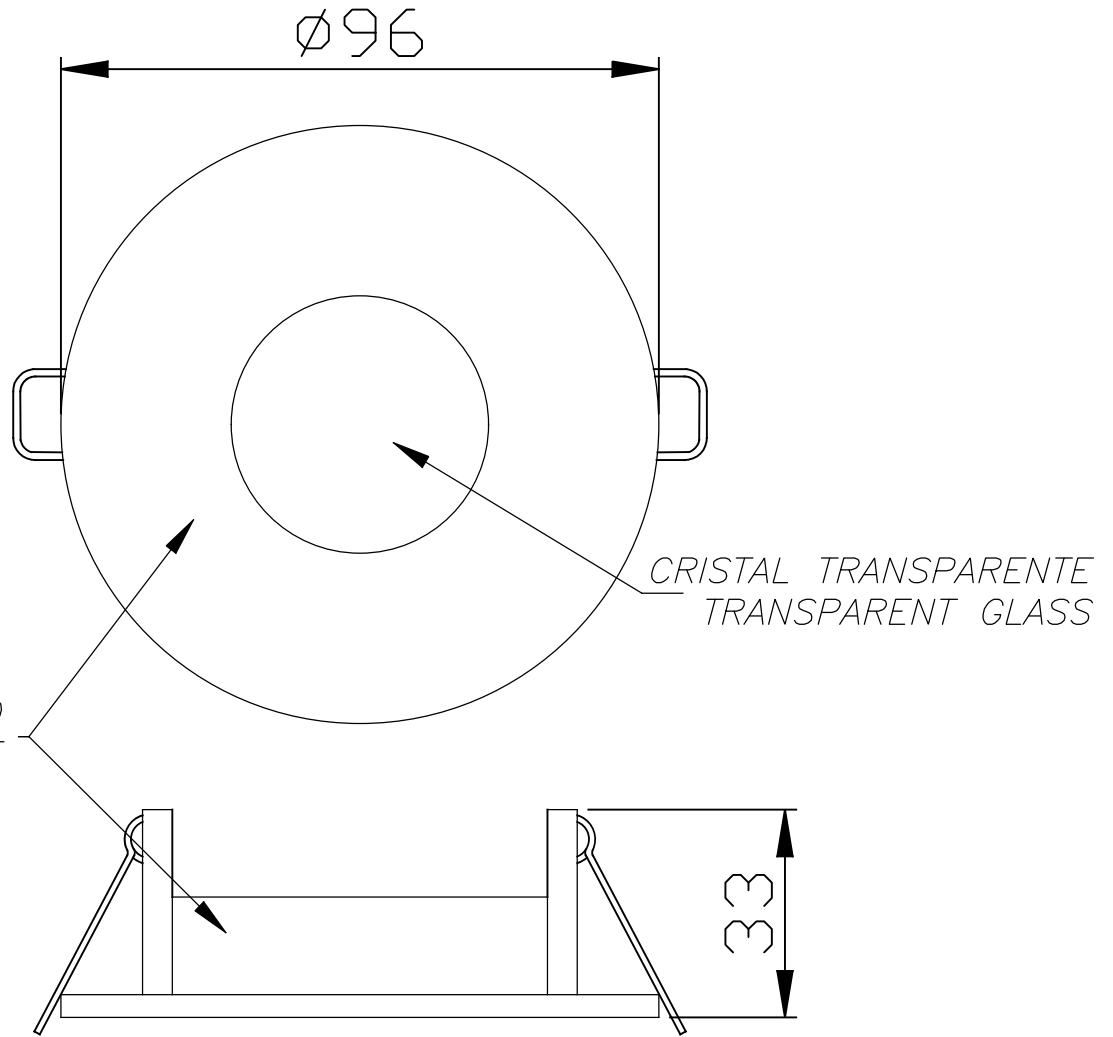
TC-0471-BLA

Structure material: Aluminium
Dimensions: 58 x NA x 96
Net weight (kg): 0.33



TC-0366-BLA

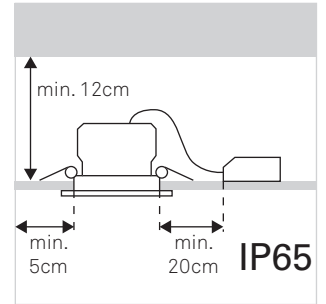
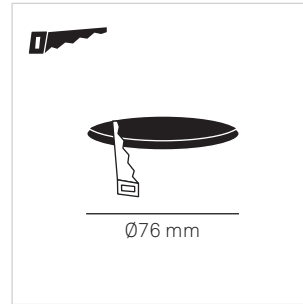
Structure material: Aluminium
Dimensions: 58 x 17 x NA
Net weight (kg): 0.05



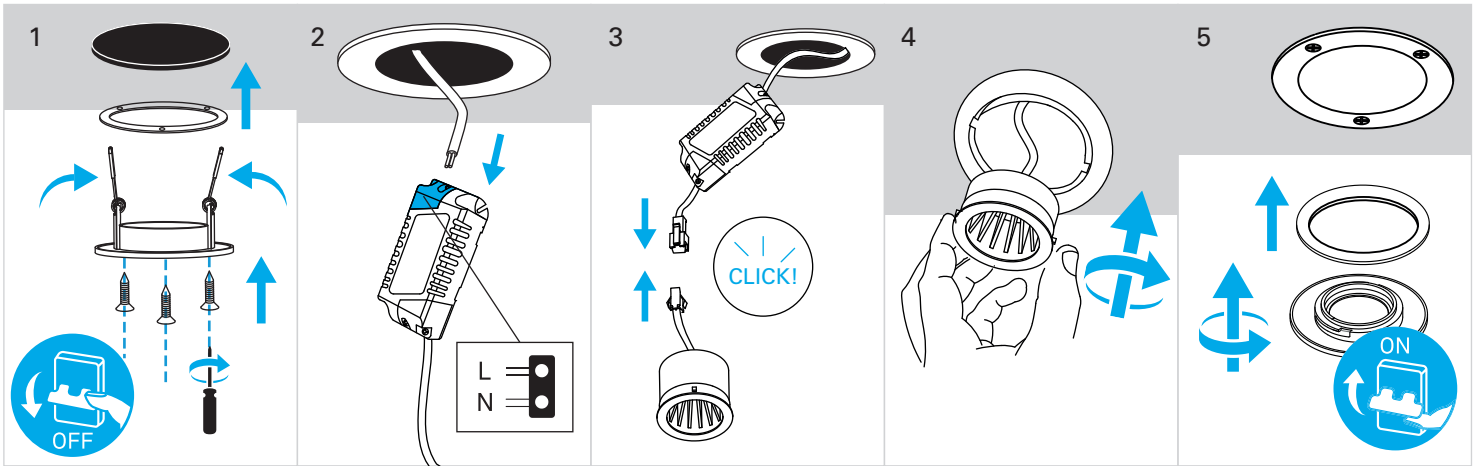


Mix
TC-0220

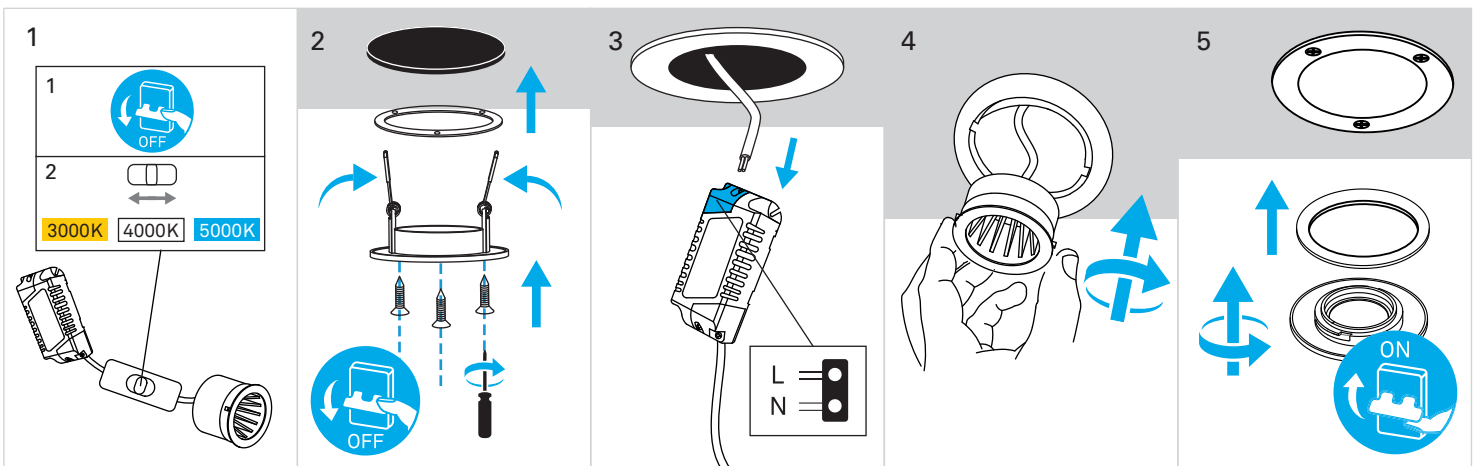
FOR
LIGHT



LED
MODULE



CCT LED
MODULE





GU10

