



TC-1200-SAT

V0

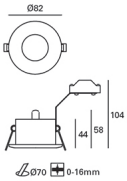
Minor Bath



Description

Wall fixture IP54 Minor Chrome

	Finish	Material
Structure	Chrome	Aluminium
Diffuser	Transparent	Glass



IP54   50

TECHNICAL CHARACTERISTICS

Light source

Lampholder: 1 x GU10/G5.3
Lamp maximum dimension: 55/50 mm
Quantity: 1
Recommended lamp: GU10/G5.3

GEAR

This item requires gear. It is not included.
Voltage / Frequency: 12V/50-60Hz

Luminaire

Warranty: 5 Years

Logistics

Energy Efficiency: NO BULB
EAN Code: 8435381429614
Net Weight (Kg): 0.200
Weight in Kg (packaged): 0.240
Packing: 90 x 90 x 70
Masterbox: 50



The photograph may not match the reference exactly. Please read the product description to identify the finish.

Luminaire

Code TC-1200-SAT
 Name Downlight minor 1x50W GU5.3

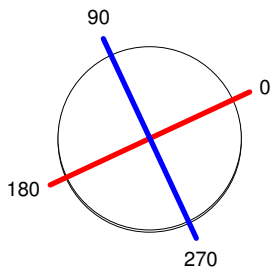
Measur.

Code TC-1200-SAT
 Name Downlight minor 1x50W GU5.3

Luminaire Flux	570.81 lm	Luminaire Power	50.00 W	Efficacy	11.42 lm/W	Efficiency	66.61%
Lamps Flux	857.00 lm	Maximum value	784.73 cd	Position	C=15.00 G=5.00	CG	Double Symmetrical
Round Luminaire Round Luminous Area		Diam.	40 mm	Height	1 mm		
		Diam.	40 mm	Height	1 mm		
Horizontal Luminous Area	0.001257 m2			Emitting area on Plane 180°	0.000040 m2		
Emitting area on Plane 0°	0.000040 m2			Emitting area on Plane 270°	0.000040 m2		
Emitting area on Plane 90°	0.000040 m2			Glare area at 76°	0.000343 m2		
Coordinate system	CG			Symmetry Type	Double Symmetrical		
Date	26-01-2016			Maximum Gamma Angle	90		
Measurement Distance	0.00			Measurement Flux	857.00 lm		
Operator				Source Voltage [V]			
Temperature	25.00 °C			Source current [A]			
Humidity	60.00 %			Photocell			
Notes							

Line		Code	Luminaire Lamps		Flux [lm]	Pow. [W]	Q.ty
		46870VWFL	Name	46870VWFL - 50.00 W	857.00	50.00	1
C.I.E.	95 98 100 100 67		D DIN 5040		A60		
F UTE	0.67 A		B NBN		BZ 1		

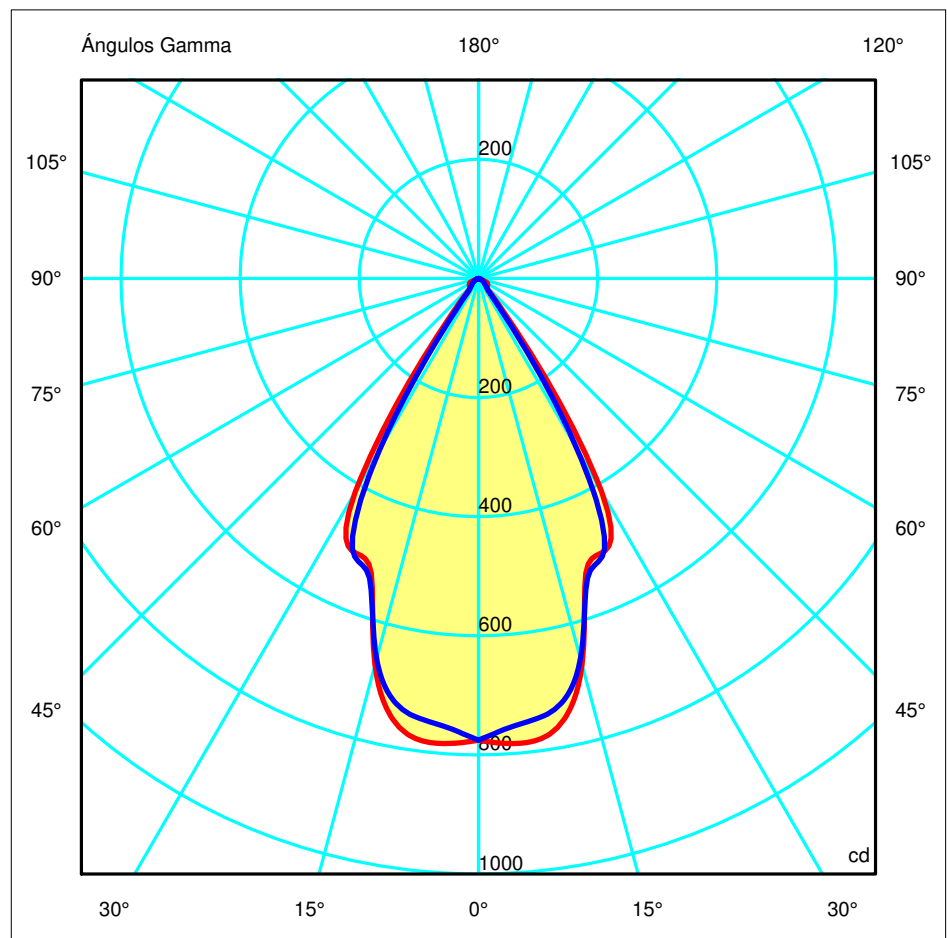
Diam=40mm



Semiplanos C



ULOR	0.00 %
DLOR	66.61 %
RN	0.00 %



Luminaire

Code TC-1200-SAT
 Name Downlight minor 1x50W GU5.3

Measur.

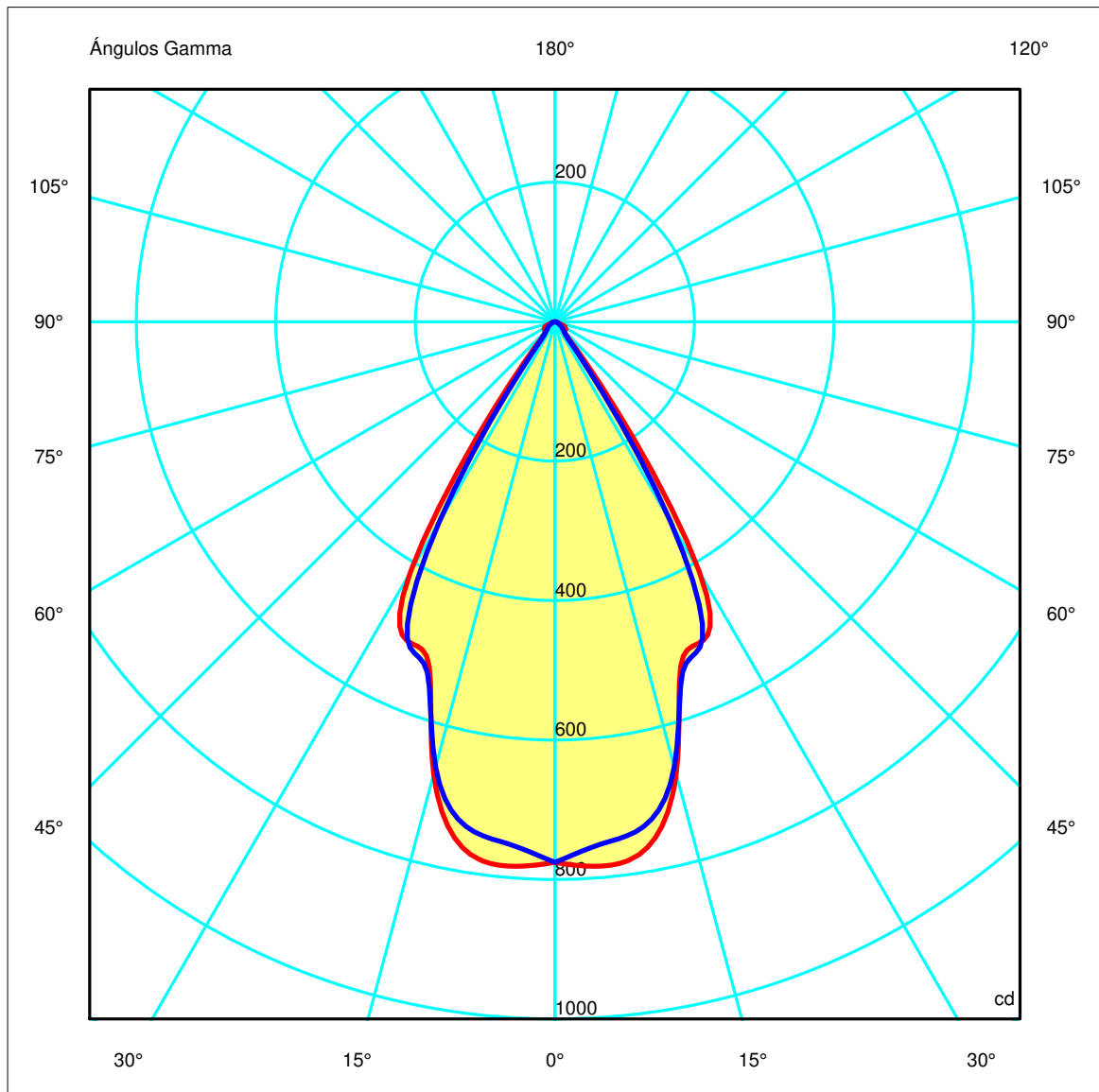
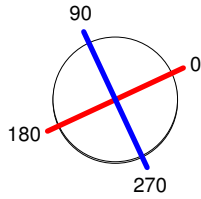
Code TC-1200-SAT
 Name Downlight minor 1x50W GU5.3

Luminaire Flux	570.81 lm	Luminaire Power	50.00 W	Efficacy	11.42 lm/W	Efficiency	66.61%
Lamps Flux	857.00 lm	Maximum value	784.73 cd	Position	C=15.00 G=5.00	CG	Double Symmetrical

Diam=40mm

Semiplanos C

180.0 ——— 0.0
 270.0 ——— 90.0



Luminaire

Code TC-1200-SAT
 Name Downlight minor 1x50W GU5.3

Measur.

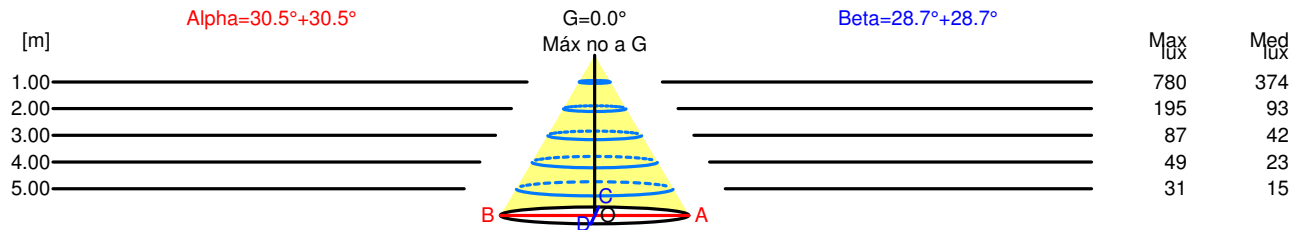
Code TC-1200-SAT
 Name Downlight minor 1x50W GU5.3

Luminaire Flux	570.81 lm	Luminaire Power	50.00 W	Efficacy	11.42 lm/W	Efficiency	66.61%
Lamps Flux	857.00 lm	Maximum value	784.73 cd	Position	C=15.00 G=5.00	CG	Double Symmetrical

Width at 50.00 % of Max Intensity

H[m]	1.00	2.00	3.00	4.00	5.00	H[m]	1.00	2.00	3.00	4.00	5.00
OA	0.59	1.18	1.77	2.35	2.94	OC	0.55	1.10	1.64	2.19	2.74
OB	0.59	1.18	1.77	2.35	2.94	OD	0.55	1.10	1.64	2.19	2.74

	Luminous Intensities [cd]									
	0	5	15	25	35	45	55	65	75	85
OA	775.23	783.48	671.32	503.93	149.72	18.99	18.99	14.92	2.93	0.66
OB	775.23	783.48	671.32	503.93	149.72	18.99	18.99	14.92	2.93	0.66
OC	775.23	752.08	661.05	500.63	82.99	16.60	10.83	6.16	2.45	0.35
OD	775.23	752.08	661.05	500.63	82.99	16.60	10.83	6.16	2.45	0.35



H[m]	D[m]	Max lux	Med lux	Alpha=30.5°+30.5°	G=0.0 Máx no a G	
1.00	1.18	780	374			
2.00	2.35	195	93			
3.00	3.53	87	42			
4.00	4.71	49	23			
5.00	5.88	31	15			

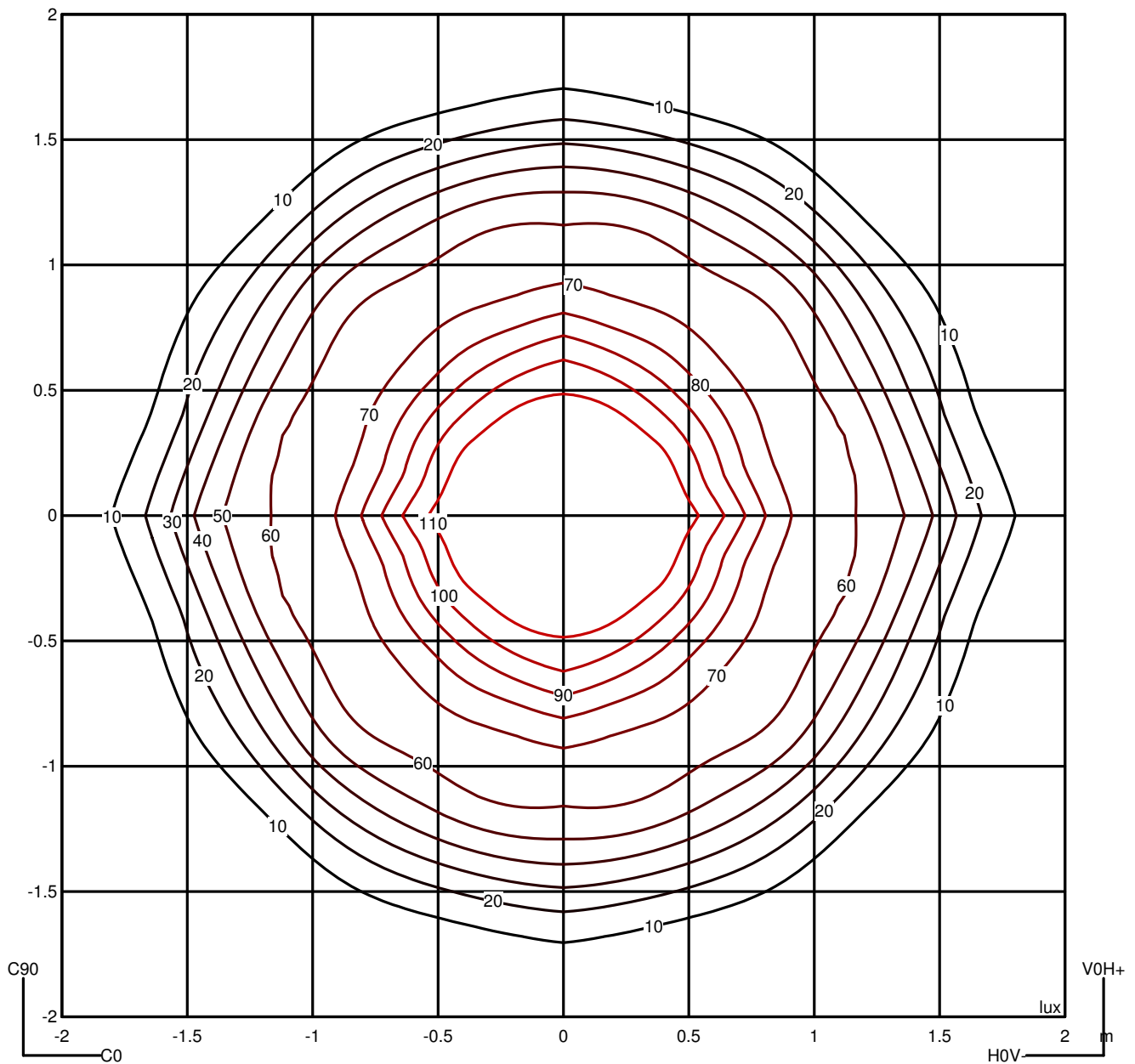
H[m]	D[m]	Max lux	Med lux	Beta=28.7°+28.7°	G=0.0 Máx no a G	
1.00	1.10	780	374			
2.00	2.19	195	93			
3.00	3.29	87	42			
4.00	4.38	49	23			
5.00	5.48	31	15			

Luminaire
 Code TC-1200-SAT
 Name Downlight minor 1x50W GU5.3
Measur.
 Code TC-1200-SAT
 Name Downlight minor 1x50W GU5.3

Luminaire Flux	570.81 lm	Luminaire Power	50.00 W	Efficacy	11.42 lm/W	Efficiency	66.61%
Lamps Flux	857.00 lm	Maximum value	784.73 cd	Position	C=15.00 G=5.00	CG	Double Symmetrical

Isolux (Floor)

Luminaire position X=0.00m Y=0.00m Z=2.50m



Luminaire

Code TC-1200-SAT
 Name Downlight minor 1x50W GU5.3

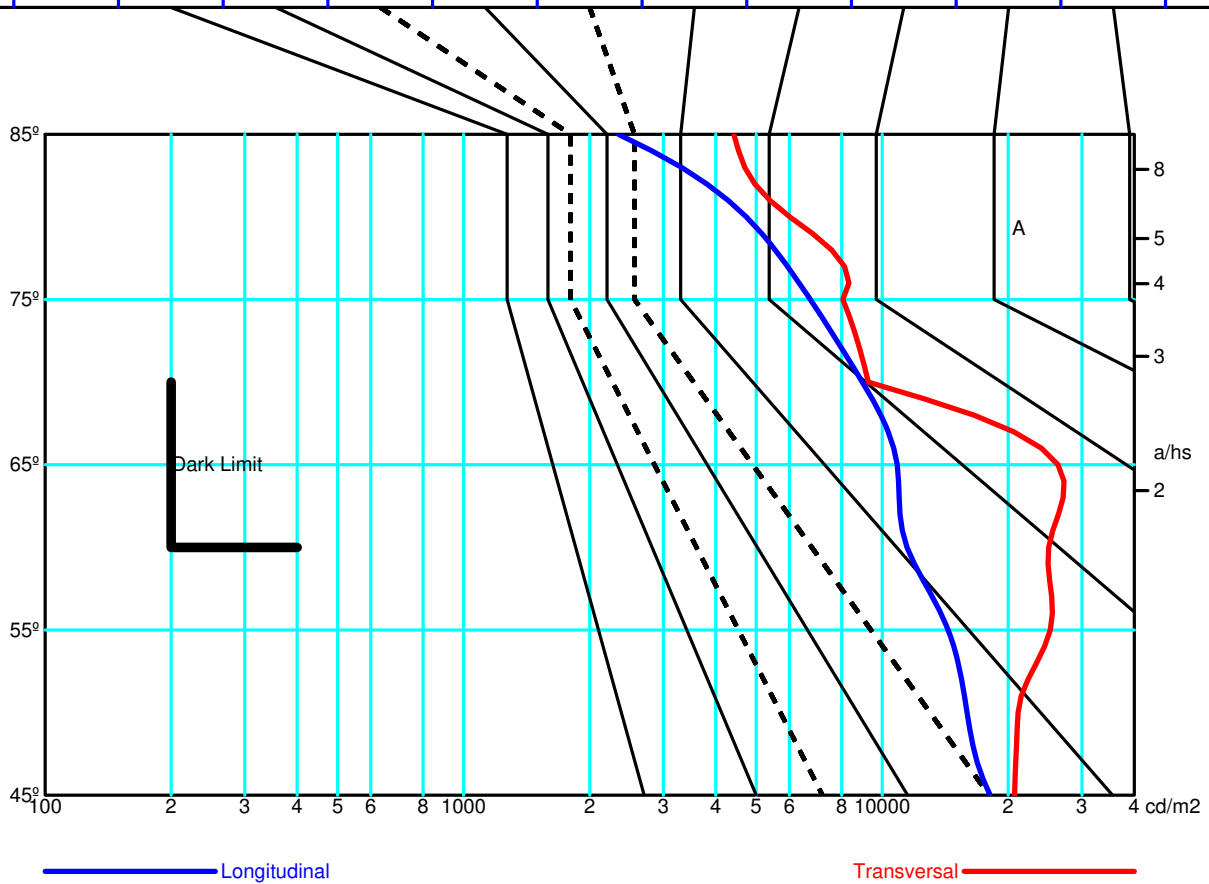
Measurerm.

Code TC-1200-SAT
 Name Downlight minor 1x50W GU5.3

Luminaire Flux	570.81 lm	Luminaire Power	50.00 W	Efficacy	11.42 lm/W	Efficiency	66.61%
Lamps Flux	857.00 lm	Maximum value	784.73 cd	Position	C=15.00 G=5.00	CG	Double Symmetrical

		Average Luminance [cd/m ²]									
		45°	50°	55°	60°	65°	70°	75°	80°	85°	
0.0°	20712	21112	25201	24979	26299	9264	8052	6017	4419	---	
90.0°	18105	15947	14372	11464	10858	8965	6733	4736	2343	---	

Flujo montado o vista longitudinal												
		Iluminancia (lx)										
A	A	2000	1000	750	500		<300					1.15
B	1		2000	1500	1000	750	500	<300				1.5
C					2000		1000	500	<300			1.85
D	2						2000	1000	500	<300		2.2
E	3							2000	1000	500	<300	2.55



Luminaire

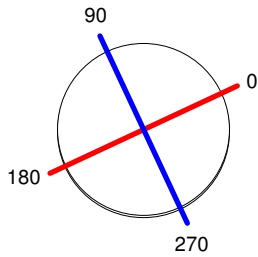
Code TC-1200-SAT
 Name Downlight minor 1x50W GU5.3

Measurement

Code TC-1200-SAT
 Name Downlight minor 1x50W GU5.3

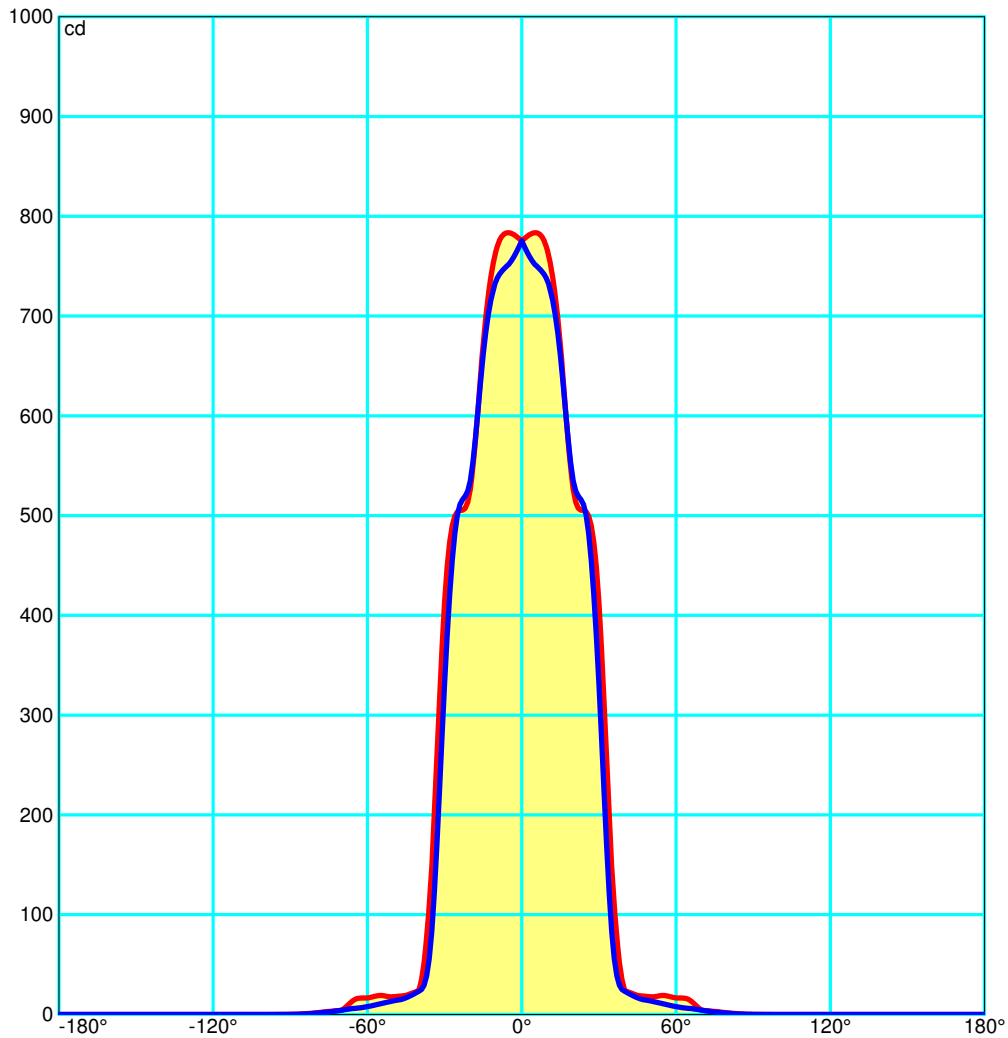
Luminaire Flux	570.81 lm	Luminaire Power	50.00 W	Efficacy	11.42 lm/W	Efficiency	66.61%
Lamps Flux	857.00 lm	Maximum value	784.73 cd	Position	C=15.00 G=5.00	CG	Double Symmetrical

Diam=40mm



Semiplanos C

180.0 ———— 0.0
 270.0 ———— 90.0





Luminaire

Code TC-1200-SAT
Name Downlight minor 1x50W GU5.3

Measurerm.

Code TC-1200-SAT
Name Downlight minor 1x50W GU5.3

Luminaire Flux	570.81 lm	Luminaire Power	50.00 W	Efficacy	11.42 lm/W	Efficiency	66.61%
Lamps Flux	857.00 lm	Maximum value	784.73 cd	Position	C=15.00 G=5.00	CG	Double Symmetrical

UGR
S = 0.250

Reflectancies										
Ceiling/Cavity	0.7	0.7	0.5	0.5	0.3	0.7	0.7	0.5	0.5	0.3
Walls	0.5	0.3	0.5	0.3	0.3	0.5	0.3	0.5	0.3	0.3
WorkingPlane	0.2	0.2	0.2	0.2	0.2	0.2	0.2	0.2	0.2	0.2
RoomDimensions	ViewedCrosswise					ViewedEndwise				
x=2H y=2H	18.9	19.6	19.1	19.8	19.2	18.1	18.8	18.3	19.0	19.2
x=2H y=3H	19.2	19.8	19.5	20.1	19.4	18.4	19.0	18.6	19.2	19.4
x=2H y=4H	19.2	19.8	19.5	20.1	19.5	18.4	19.0	18.7	19.3	19.5
x=2H y=6H	19.3	19.8	19.6	20.1	19.5	18.5	19.0	18.8	19.3	19.5
x=2H y=8H	19.2	19.8	19.6	20.1	19.5	18.4	18.9	18.8	19.2	19.5
x=2H y=12H	19.3	19.7	19.6	20.0	19.5	18.4	18.9	18.8	19.2	19.5
x=4H y=2H	18.9	19.4	19.1	19.7	19.2	18.1	18.7	18.4	18.9	19.2
x=4H y=3H	19.3	19.7	19.6	20.1	19.6	18.5	19.0	18.9	19.3	19.6
x=4H y=4H	19.3	19.8	19.7	20.1	19.7	18.6	19.0	19.0	19.4	19.7
x=4H y=6H	19.4	19.8	19.8	20.1	19.8	18.7	19.0	19.1	19.4	19.8
x=4H y=8H	19.4	19.7	19.8	20.1	19.8	18.7	19.0	19.1	19.4	19.8
x=4H y=12H	19.4	19.7	19.8	20.0	19.7	18.7	18.9	19.1	19.3	19.7
x=8H y=4H	19.3	19.6	19.7	20.0	19.7	18.6	18.9	19.0	19.3	19.7
x=8H y=6H	19.4	19.6	19.9	20.1	19.8	18.7	19.0	19.2	19.4	19.8
x=8H y=8H	19.4	19.6	19.9	20.1	19.8	18.7	18.9	19.2	19.4	19.8
x=8H y=12H	19.4	19.5	19.9	20.0	19.8	18.7	18.9	19.2	19.3	19.8
x=12H y=4H	19.3	19.6	19.7	20.0	19.7	18.6	18.9	19.0	19.3	19.7
x=12H y=6H	19.4	19.6	19.8	20.0	19.8	18.7	18.9	19.1	19.3	19.8
x=12H y=8H	19.4	19.5	19.9	20.0	19.8	18.7	18.9	19.2	19.3	19.8

Luminaire

Code TC-1200-SAT
Name Downlight minor 1x50W GU5.3

Measurment

Code TC-1200-SAT
Name Downlight minor 1x50W GU5.3

Luminaire Flux	570.81 lm	Luminaire Power	50.00 W	Efficacy	11.42 lm/W	Efficiency	66.61%
Lamps Flux	857.00 lm	Maximum value	784.73 cd	Position	C=15.00 G=5.00	CG	Double Symmetrical

Flujo Total=857.00 Flujo Luminaria=570.81

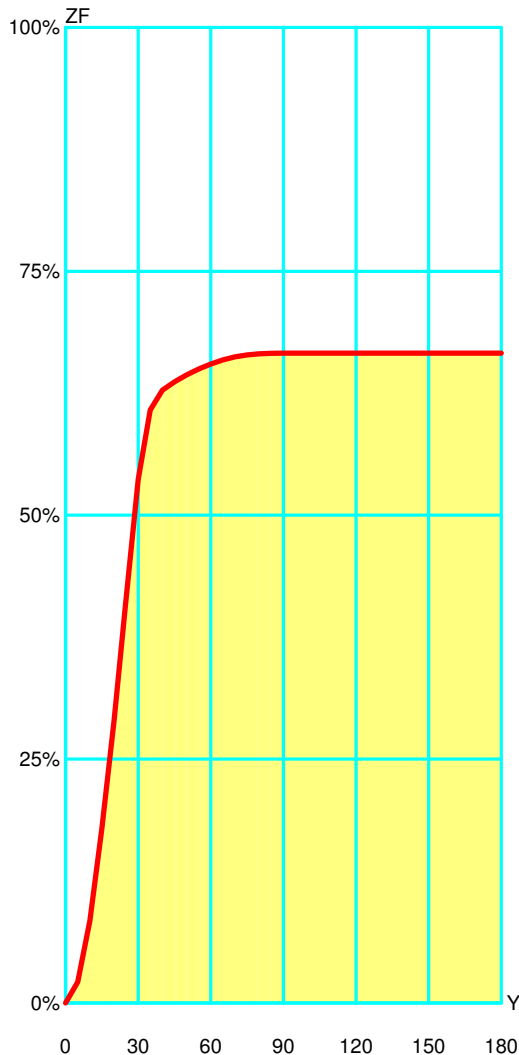
RI	0.60	0.80	1.00	1.25	1.50	2.00	2.50	3.00	4.00	5.00	10.00	20.00
DRR	0.70	0.75	0.80	0.83	0.86	0.91	0.94	0.96	0.98	0.99	1.01	1.02
RC	-	-	-	-	-	-	-	-	-	-	-	-

Flujo Zonal por 1000 Lúmenes

Y°	10	20	30	40	50	60	70	80	90	100	110	120	130	140	150	160	170	180
ZF(Y)	84	289	537	628	644	655	662	665	666	666	666	666	666	666	666	666	666	666

Códigos de Flujo C.I.E.
95 98 100 100 67

C.I.E.	-/-/-/-/-/-/-/-/-/-	LOR	66.60523 %
D DIN 5040	A60	ULOR	0.00000 %
F UTE	0.67 A	DLOR	66.60523 %
B NBN	BZ 1	UFF	0.00000 %
RN	0.00000 %	DFF	100.00000 %
BLF	1.0	FFR	0.00000 %



Gamma °	Flujo Zonal			
	Flujo	Suma lm	Flujo [%]	Suma [%]
0°	0.00	0.00	0.00%	0.00 %
5°	21.51	21.51	3.23 %	3.23 %
10°	62.88	84.38	9.44 %	12.67 %
15°	94.72	179.11	14.22 %	26.89 %
20°	110.33	289.44	16.56 %	43.46 %
25°	124.69	414.12	18.72 %	62.18 %
30°	122.76	536.88	18.43 %	80.61 %
35°	71.00	607.88	10.66 %	91.27 %
40°	20.38	628.26	3.06 %	94.33 %
45°	8.39	636.65	1.26 %	95.59 %
50°	7.08	643.73	1.06 %	96.65 %
55°	6.19	649.93	0.93 %	97.58 %
60°	5.06	654.98	0.76 %	98.34 %
65°	4.20	659.19	0.63 %	98.97 %
70°	3.18	662.36	0.48 %	99.45 %
75°	1.97	664.33	0.30 %	99.74 %
80°	1.14	665.47	0.17 %	99.91 %
85°	0.48	665.95	0.07 %	99.99 %
90°	0.10	666.05	0.01 %	100.00 %
95°	0.00	666.05	0.00 %	100.00 %
100°	0.00	666.05	0.00 %	100.00 %
105°	0.00	666.05	0.00 %	100.00 %
110°	0.00	666.05	0.00 %	100.00 %
115°	0.00	666.05	0.00 %	100.00 %
120°	0.00	666.05	0.00 %	100.00 %
125°	0.00	666.05	0.00 %	100.00 %
130°	0.00	666.05	0.00 %	100.00 %
135°	0.00	666.05	0.00 %	100.00 %
140°	0.00	666.05	0.00 %	100.00 %
145°	0.00	666.05	0.00 %	100.00 %
150°	0.00	666.05	0.00 %	100.00 %
155°	0.00	666.05	0.00 %	100.00 %
160°	0.00	666.05	0.00 %	100.00 %
165°	0.00	666.05	0.00 %	100.00 %
170°	0.00	666.05	0.00 %	100.00 %
175°	0.00	666.05	0.00 %	100.00 %
180°	0.00	666.05	0.00 %	100.00 %

Luminaire

Code TC-1200-SAT
 Name Downlight minor 1x50W GU5.3

Measur.

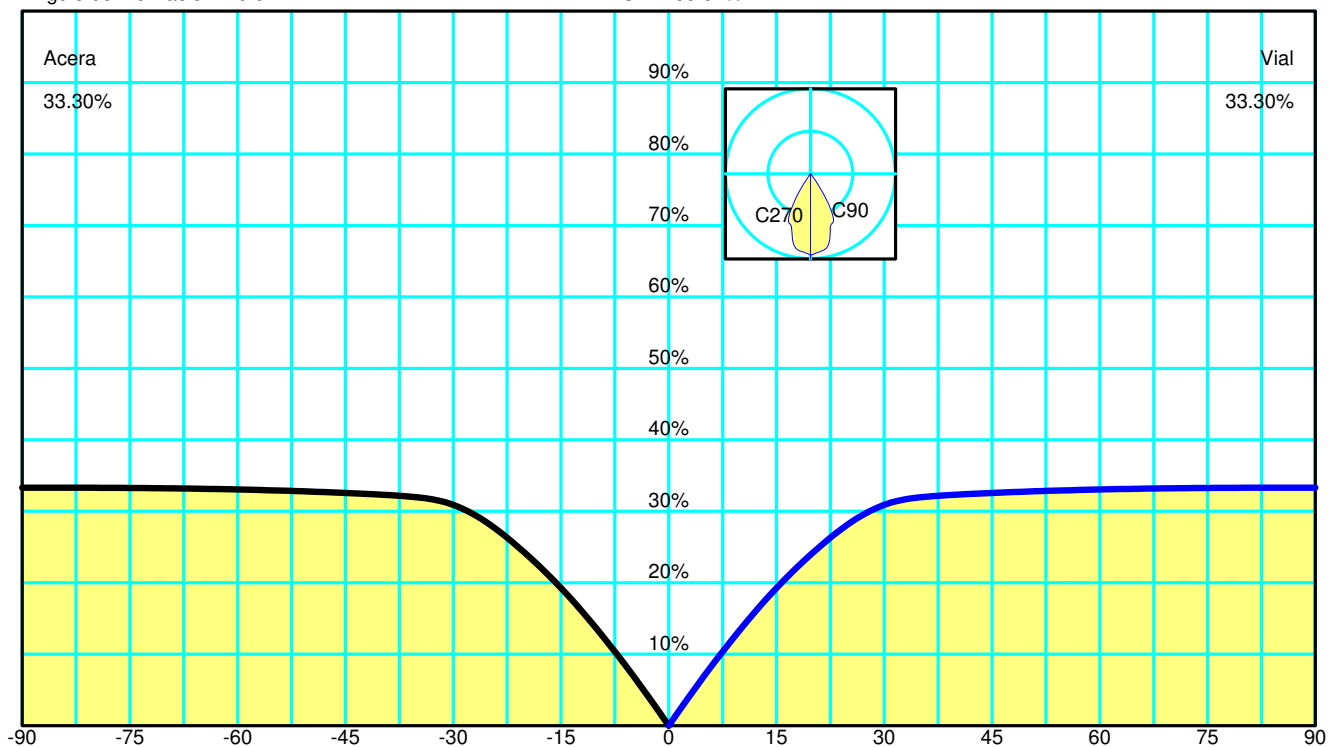
Code TC-1200-SAT
 Name Downlight minor 1x50W GU5.3

Luminaire Flux	570.81 lm	Luminaire Power	50.00 W	Efficacy	11.42 lm/W	Efficiency	66.61%
Lamps Flux	857.00 lm	Maximum value	784.73 cd	Position	C=15.00 G=5.00	CG	Double Symmetrical

Pavement			Road		
Piano	0	0.00%	Piano	0	0.00%
Piano	-5	7.04%	Piano	5	7.04%
Piano	-10	13.52%	Piano	10	13.52%
Piano	-15	19.26%	Piano	15	19.26%
Piano	-20	24.17%	Piano	20	24.17%
Piano	-25	28.21%	Piano	25	28.21%
Piano	-30	30.91%	Piano	30	30.91%
Piano	-35	31.96%	Piano	35	31.96%
Piano	-40	32.33%	Piano	40	32.33%
Piano	-45	32.57%	Piano	45	32.57%
Piano	-50	32.77%	Piano	50	32.77%
Piano	-55	32.93%	Piano	55	32.93%
Piano	-60	33.05%	Piano	60	33.05%
Piano	-65	33.15%	Piano	65	33.15%
Piano	-70	33.22%	Piano	70	33.22%
Piano	-75	33.27%	Piano	75	33.27%
Piano	-80	33.29%	Piano	80	33.29%
Piano	-85	33.30%	Piano	85	33.30%
Piano	-90	33.30%	Piano	90	33.30%

Ángulo de Inclinación = 0.0

DLOR = 66.61%



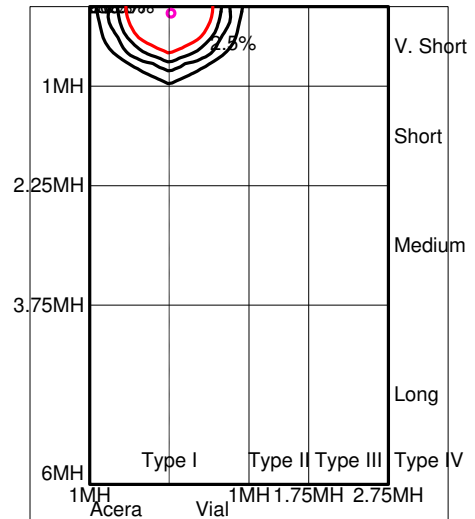
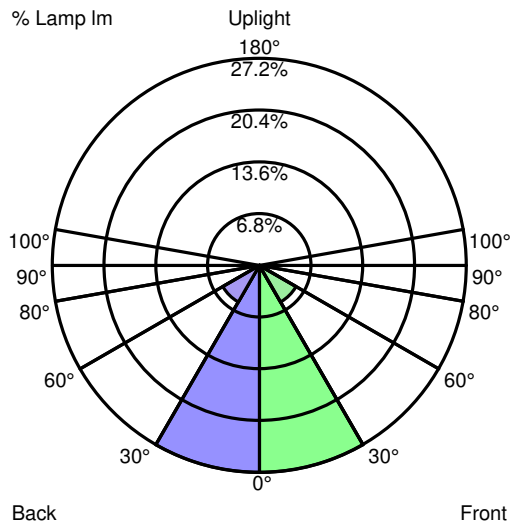
Spread	12.6° Estrecho	DLOR	66.60523 %
Throw	5.9° Corto	ULOR	0.00000 %
SLI (deslumbramiento)	Concentrado	Rendimiento	66.60523 %
Cutoff CIE	Cutoff - Max: C=15.0° Gamma=5.0°	RN	0.00000 %
Cutoff lesna	Cutoff	Clase de Intensidad Luminosa	G5
DIN5044	KB1	Índice de Deslumbramiento	D6

IESNA Type VS Very Short Quadrilateral Symmetry

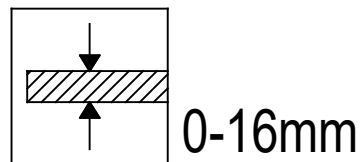
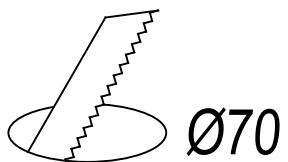
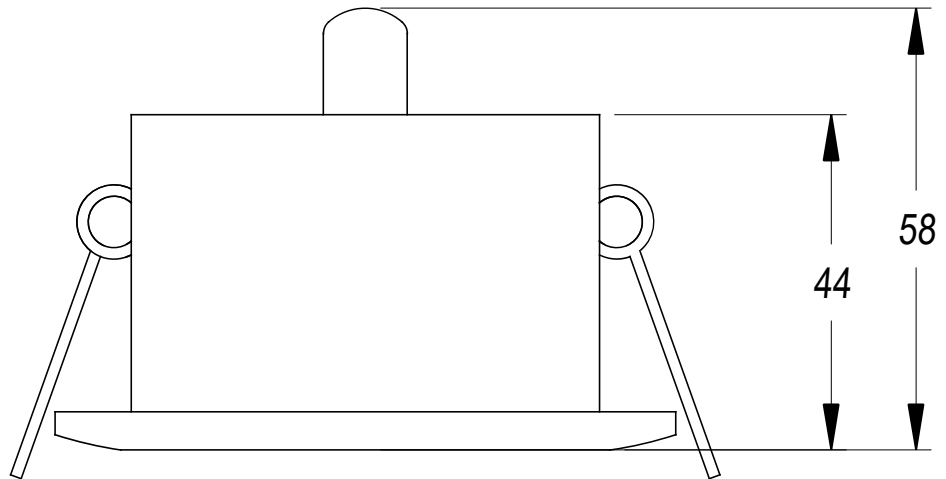
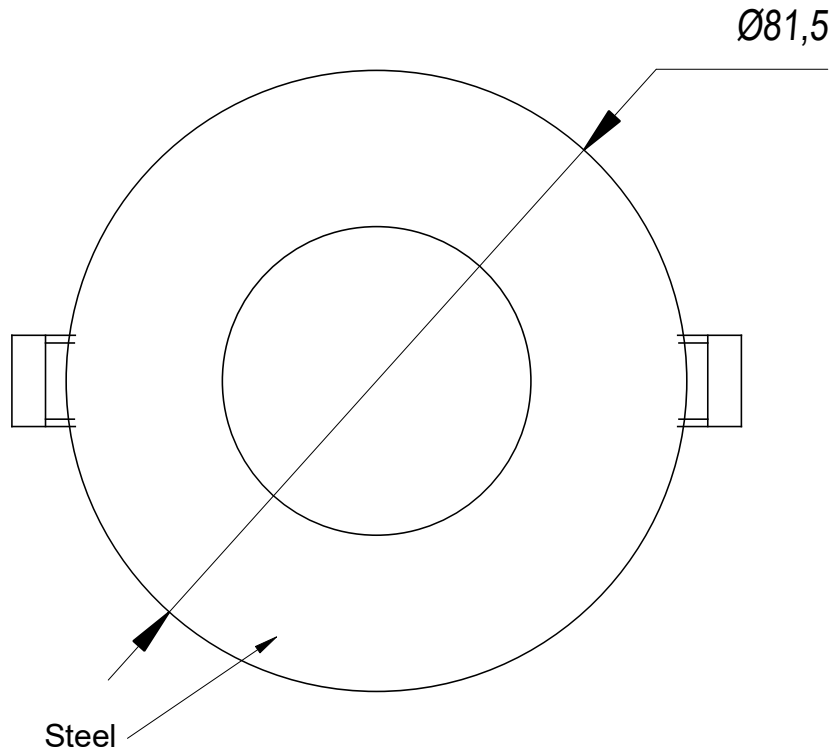
Luminaire
 Code TC-1200-SAT
 Name Downlight minor 1x50W GU5.3
Measurement
 Code TC-1200-SAT
 Name Downlight minor 1x50W GU5.3

Luminaire Flux	570.81 lm	Luminaire Power	50.00 W	Efficacy	11.42 lm/W	Efficiency	66.61%
Lamps Flux	857.00 lm	Maximum value	784.73 cd	Position	C=15.00 G=5.00	CG	Double Symmetrical

US ROAD STANDARDS

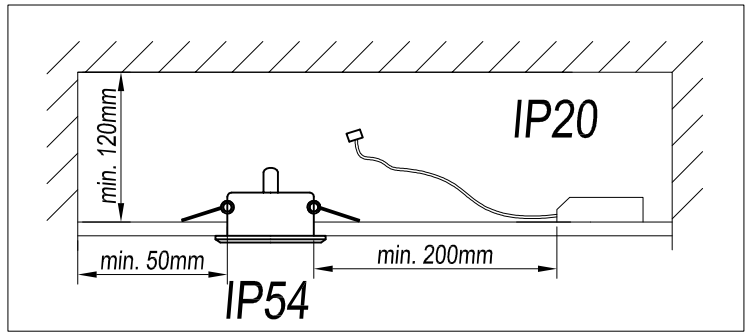
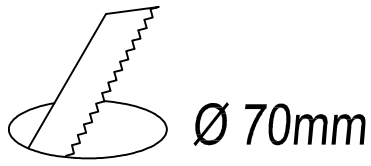


Luminaire Classification System (LCS)				
LCS Zone		Lumens	%Lamp	%Lum
FL	0° -- 30°	233.1 lm	27.2 %	40.8 %
FM	30° -- 60°	47.6 lm	5.6 %	8.3 %
FH	60° -- 80°	4.5 lm	0.5 %	0.8 %
FVH	80° -- 90°	0.2 lm	0.0 %	0.0 %
BL	0° -- 30°	233.1 lm	27.2 %	40.8 %
BM	30° -- 60°	47.6 lm	5.6 %	8.3 %
BH	60° -- 80°	4.5 lm	0.5 %	0.8 %
BVH	80° -- 90°	0.2 lm	0.0 %	0.0 %
UL	90° -- 100°	0.0 lm	0.0 %	0.0 %
UH	100° -- 180°	0.0 lm	0.0 %	0.0 %
TOTALS		570.8 lm	66.6 %	100.0 %
BUG B1 U0 G0 Type VS Very Short Quadrilateral Symmetry				

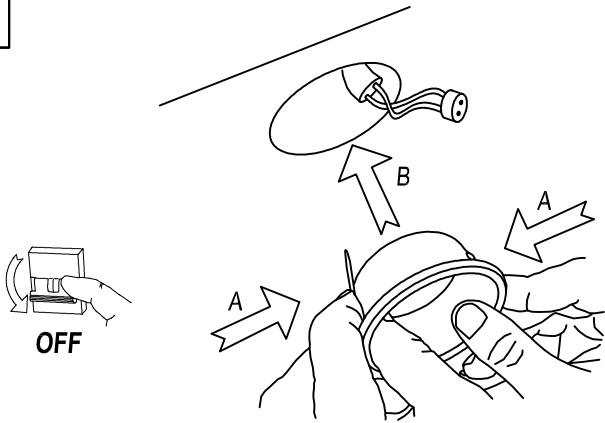


Scale 1:1

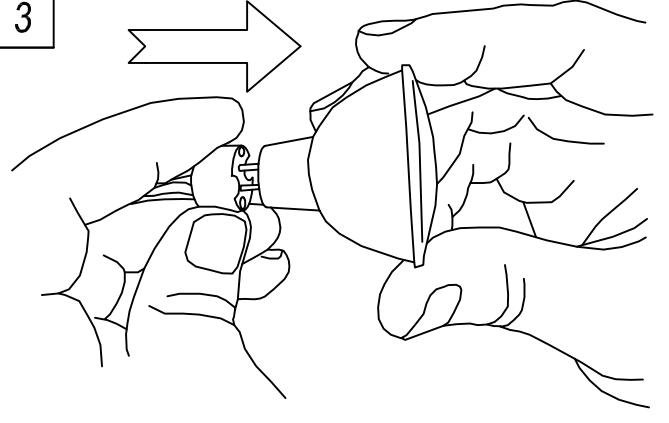
1



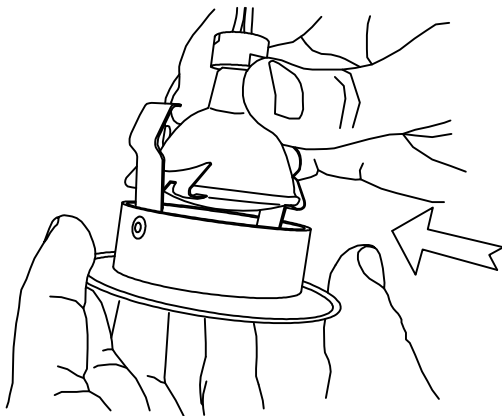
2



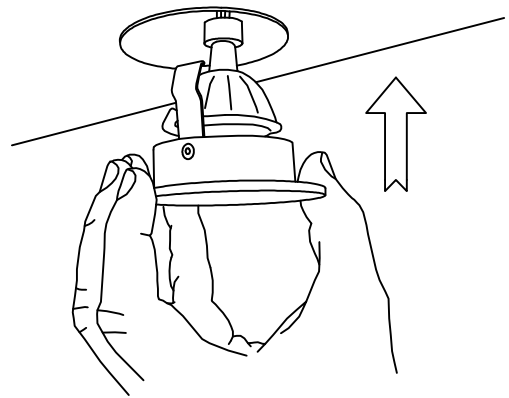
3



4



5



6

