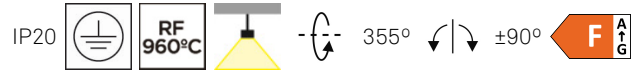


**TECHNICAL FEATURES**



Luminaire total power : 12W

Real lumens : 897

Nominal lumens : 1400

Real lm/W : 75

Lens / reflector angle : MEDIUM 28°

UGR : <=19

Structure material : Steel

Structure finish : Chrome

Voltage / frequency : 100-240V ~ 50/60Hz

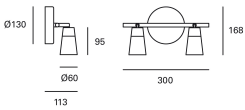
Dimming protocol : ON-OFF

Power Factor : 0.90

Useful life : 36.000h L70B30

Warranty : 3 Years

Easily recyclable luminaire



**LUMINOTECHNIC FEATURES**

CRI: 80

MacAdam steps: 3

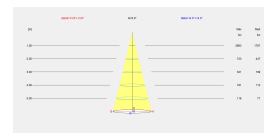
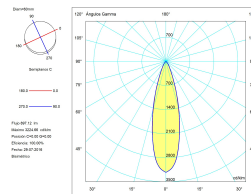
Photobiological risk: RG1

UGR

UGR crosswise: 16.2

UGR lengthwise: 16.1

Lampholder	Quantity	Light source power (W)	Correlated Colour Temperature (CCT)
LED	1	10W	3000K



**LOGISTICS**

Net weight (kg): 0.79

Packaged weight (kg): 1.02

Packaging: 140mm x 130mm x 320mm



**Luminaire**

Code DE-0195-CRO  
 Name Aplique FORLIGHT led 10W 3000K

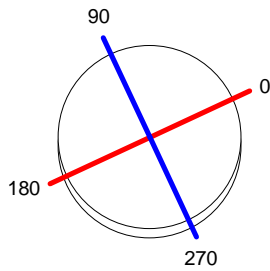
**Measur.**

Code DE-0194-CRO  
 Name Aplique FORLIGHT led 5W 3000K

Luminaire Flux	897.12 lm	Luminaire Power	6.00 W	Efficacy	149.52 lm/W	Efficiency	100.00%
Lamps Flux	897.12 lm	Maximum value	3224.66 cd/klm	Position	C=0.00 G=0.00	CG	Double Symmetrical
Round Luminaire Round Luminous Area		Diam. Diam.	60 mm 50 mm	Height Height	170 mm 0 mm		
Horizontal Luminous Area Emitting area on Plane 0° Emitting area on Plane 90°		0.001963 m2 0.000000 m2 0.000000 m2		Emitting area on Plane 180° Emitting area on Plane 270° Glare area at 76°		0.000000 m2 0.000000 m2 0.000475 m2	
Coordinate system Date Measurement Distance		CG 29-07-2016 0.00		Symmetry Type Maximum Gamma Angle Measurement Flux		Double Symmetrical 90 897.12 lm	
Operator Temperature Humidity Notes		Asselum T3 25.00 °C 60.00 %		Source Voltage [V] Source current [A] Photocell			

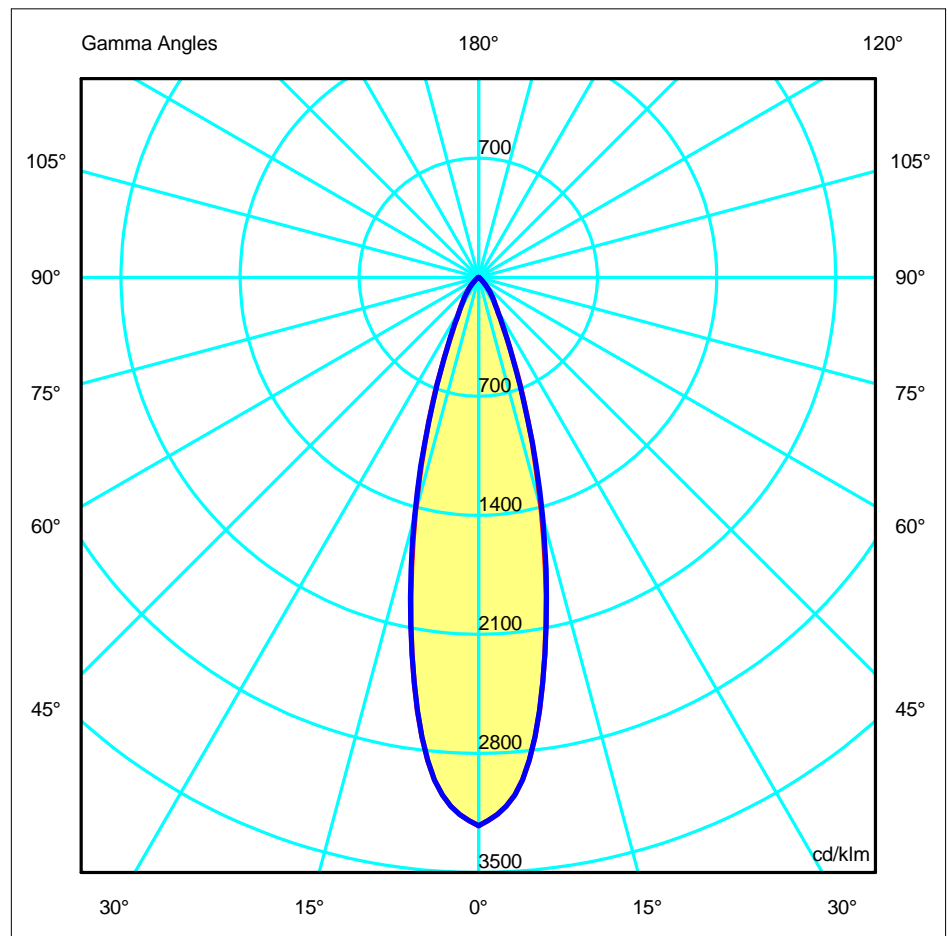
Line		Code	Luminaire Lamps	Flux [lm]	Pow. [W]	Q.ty
		DE-0195-CRO	Name DE-0195-CRO - 10 W	897.12	10.00	1
C.I.E.	96 100 100 100 100		D DIN 5040	A60		
F UTE	1.00 A		B NBN	BZ 1		

Diam=60mm



C Halfplanes  
 180.0 — 0.0  
 270.0 — 90.0

ULOR 0.00 %  
 DLOR 100.00 %  
 RN 0.00 %





**Luminaire**

Code DE-0195-CRO  
 Name Aplique FORLIGHT led 10W 3000K

**Measur.**

Code DE-0194-CRO  
 Name Aplique FORLIGHT led 5W 3000K

Luminaire Flux	897.12 lm	Luminaire Power	6.00 W	Efficacy	149.52 lm/W	Efficiency	100.00%
Lamps Flux	897.12 lm	Maximum value	3224.66 cd/klm	Position	C=0.00 G=0.00	CG	Double Symmetrical

**Luminous Intensity Table cd/klm Table 1/1**

	C 0.00	C 15.00	C 30.00	C 45.00	C 60.00	C 75.00	C 90.00
G 0.0	3224.66	3224.66	3224.66	3224.66	3224.66	3224.66	3224.66
G 5.0	2967.55	2964.17	2958.69	2963.19	2953.01	2950.26	2966.53
G 10.0	2248.77	2240.37	2244.64	2252.79	2251.60	2255.87	2248.16
G 15.0	1427.14	1423.90	1417.90	1437.84	1435.09	1443.11	1455.15
G 20.0	789.11	780.97	775.18	788.31	783.82	797.71	780.00
G 25.0	386.96	384.02	381.18	390.87	385.42	392.51	392.80
G 30.0	221.82	223.55	221.63	220.52	218.78	218.98	215.45
G 35.0	144.79	144.99	143.88	143.42	140.92	143.33	141.86
G 40.0	86.59	86.97	87.94	86.89	84.18	85.84	85.49
G 45.0	42.28	43.06	44.20	44.92	43.24	43.97	44.29
G 50.0	19.15	19.37	21.10	21.02	20.58	20.50	20.85
G 55.0	4.31	4.83	4.92	5.53	4.96	5.38	5.21
G 60.0	0.42	0.41	0.41	0.43	0.47	0.49	0.49
G 65.0	0.46	0.45	0.46	0.46	0.46	0.47	0.48
G 70.0	0.62	0.60	0.61	0.61	0.63	0.64	0.66
G 75.0	0.85	0.83	0.83	0.85	0.87	0.91	0.93
G 80.0	1.08	1.06	1.07	1.09	1.14	1.19	1.23
G 85.0	1.32	1.30	1.31	1.34	1.40	1.47	1.52
G 90.0	1.55	1.53	1.54	1.59	1.65	1.75	1.81

**Luminaire**

Code DE-0195-CRO  
 Name Aplique FORLIGHT led 10W 3000K

**Measur.**

Code DE-0194-CRO  
 Name Aplique FORLIGHT led 5W 3000K

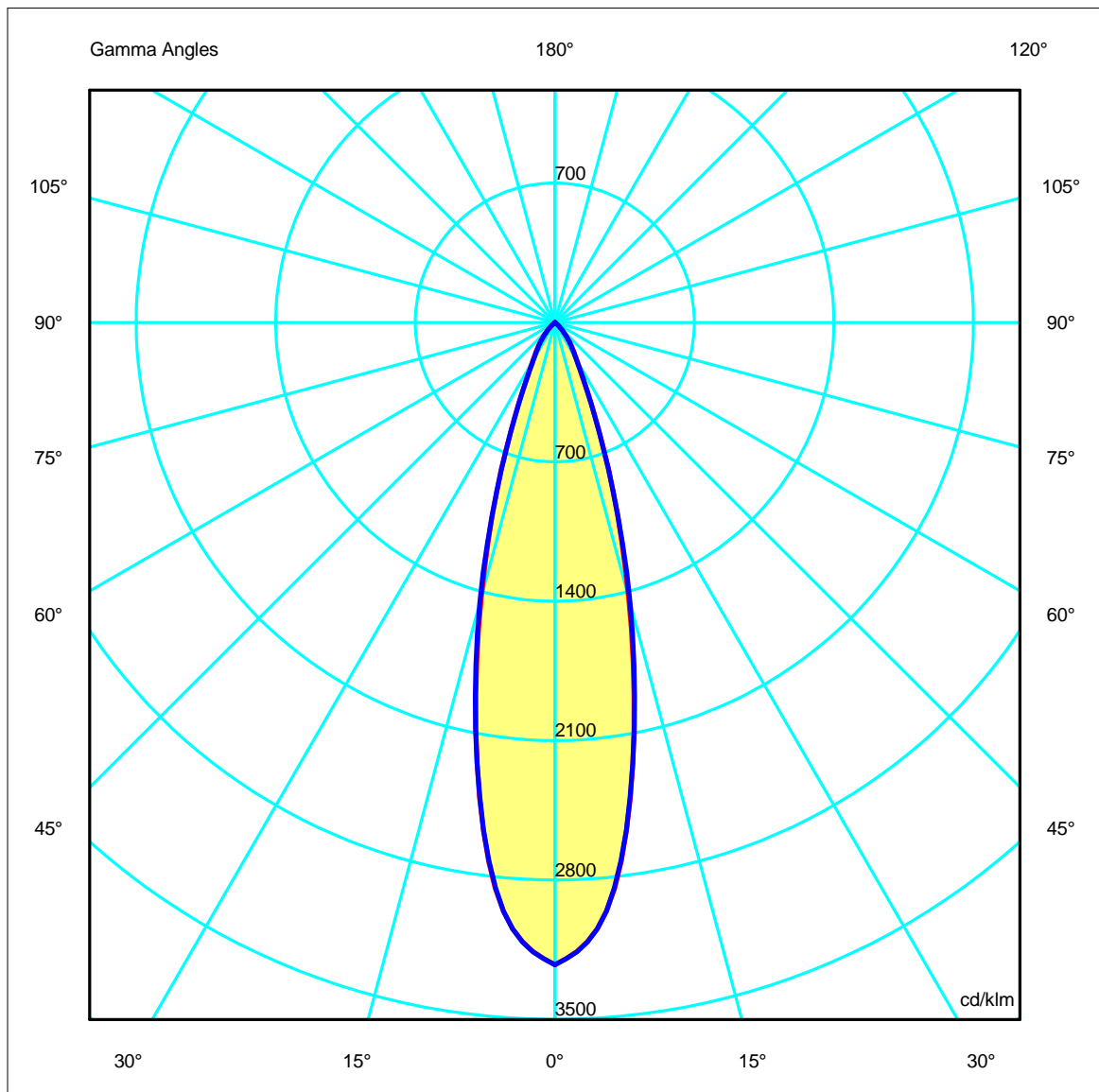
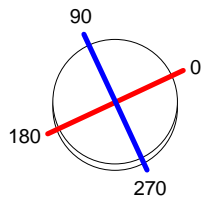
Luminaire Flux	897.12 lm	Luminaire Power	6.00 W	Efficacy	149.52 lm/W	Efficiency	100.00%
Lamps Flux	897.12 lm	Maximum value	3224.66 cd/klm	Position	C=0.00 G=0.00	CG	Double Symmetrical

Diam=60mm

C Halfplanes

180.0 ————— 0.0

270.0 ————— 90.0



**Luminaire**

 Code DE-0195-CRO  
 Name Aplique FORLIGHT led 10W 3000K

**Measur.**

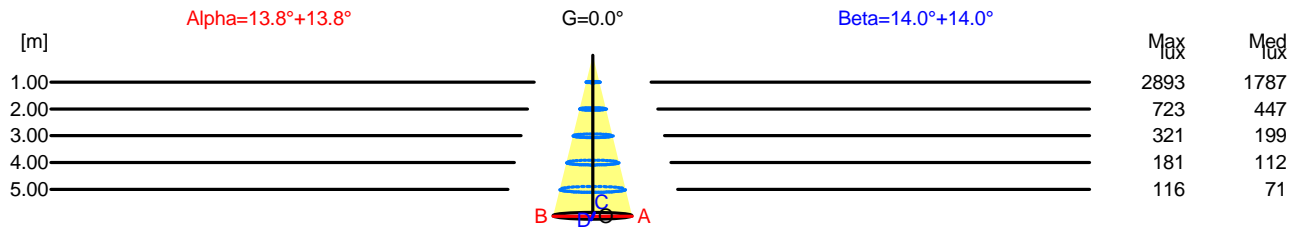
 Code DE-0194-CRO  
 Name Aplique FORLIGHT led 5W 3000K

Luminaire Flux	897.12 lm	Luminaire Power	6.00 W	Efficacy	149.52 lm/W	Efficiency	100.00%
Lamps Flux	897.12 lm	Maximum value	3224.66 cd/klm	Position	C=0.00 G=0.00	CG	Double Symmetrical

## Width at 50.00 % of Max Intensity

H[m]	1.00	2.00	3.00	4.00	5.00	H[m]	1.00	2.00	3.00	4.00	5.00
OA	0.25	0.49	0.74	0.98	1.23	OC	0.25	0.50	0.75	1.00	1.24
OB	0.25	0.49	0.74	0.98	1.23	OD	0.25	0.50	0.75	1.00	1.24

	Luminous Intensities [ cd/klm]									
	0	5	15	25	35	45	55	65	75	85
OA	2892.91	2662.25	1280.32	347.15	129.89	37.93	3.87	0.42	0.76	1.19
OB	2892.91	2662.25	1280.32	347.15	129.89	37.93	3.87	0.42	0.76	1.19
OC	2892.91	2661.33	1305.44	352.39	127.27	39.73	4.67	0.43	0.84	1.36
OD	2892.91	2661.33	1305.44	352.39	127.27	39.73	4.67	0.43	0.84	1.36



H[m]	D[m]	Max lux	Med lux	Alpha=13.8°+13.8°	G=0.0
1.00	0.49	2893	1787		
2.00	0.98	723	447		
3.00	1.47	321	199		
4.00	1.97	181	112		
5.00	2.46	116	71		

H[m]	D[m]	Max lux	Med lux	Beta=14.0°+14.0°	G=0.0
1.00	0.50	2893	1787		
2.00	1.00	723	447		
3.00	1.49	321	199		
4.00	1.99	181	112		
5.00	2.49	116	71		



**Luminaire**

Code DE-0195-CRO  
 Name Aplique FORLIGHT led 10W 3000K

**Measurement**

Code DE-0194-CRO  
 Name Aplique FORLIGHT led 5W 3000K

Luminaire Flux	897.12 lm	Luminaire Power	6.00 W	Efficacy	149.52 lm/W	Efficiency	100.00%
Lamps Flux	897.12 lm	Maximum value	3224.66 cd/klm	Position	C=0.00 G=0.00	CG	Double Symmetrical

**UGR**  
 S = 0.250

Reflectancies										
Ceiling/Cavity	0.7	0.7	0.5	0.5	0.3	0.7	0.7	0.5	0.5	0.3
Walls	0.5	0.3	0.5	0.3	0.3	0.5	0.3	0.5	0.3	0.3
WorkingPlane	0.2	0.2	0.2	0.2	0.2	0.2	0.2	0.2	0.2	0.2
RoomDimensions	ViewedCrosswise					ViewedEndwise				
x=2H y=2H	16.4	17.0	16.6	17.2	17.3	16.3	16.9	16.5	17.1	17.3
x=2H y=3H	16.2	16.8	16.5	17.1	17.2	16.1	16.7	16.4	17.0	17.2
x=2H y=4H	16.2	16.7	16.5	17.0	17.1	16.1	16.6	16.4	16.9	17.1
x=2H y=6H	16.1	16.6	16.4	16.9	17.1	16.0	16.6	16.4	16.8	17.1
x=2H y=8H	16.1	16.6	16.5	16.9	17.1	16.1	16.6	16.4	16.9	17.1
x=2H y=12H	16.1	16.6	16.5	16.9	17.2	16.1	16.6	16.4	16.9	17.2
x=4H y=2H	16.2	16.7	16.5	17.0	17.1	16.1	16.6	16.4	16.9	17.1
x=4H y=3H	16.0	16.5	16.4	16.8	17.0	15.9	16.4	16.3	16.7	17.0
x=4H y=4H	16.0	16.4	16.3	16.7	17.0	15.9	16.3	16.3	16.6	17.0
x=4H y=6H	15.9	16.3	16.3	16.6	17.0	15.9	16.2	16.3	16.6	17.0
x=4H y=8H	16.0	16.3	16.4	16.7	17.0	15.9	16.2	16.3	16.6	17.0
x=4H y=12H	16.1	16.3	16.5	16.7	17.1	16.0	16.3	16.5	16.7	17.1
x=8H y=4H	15.9	16.2	16.3	16.6	16.9	15.8	16.1	16.2	16.5	16.9
x=8H y=6H	15.9	16.1	16.3	16.5	16.9	15.8	16.0	16.2	16.5	16.9
x=8H y=8H	15.9	16.1	16.4	16.6	17.0	15.9	16.1	16.4	16.5	17.0
x=8H y=12H	16.1	16.2	16.6	16.7	17.2	16.1	16.3	16.6	16.7	17.2
x=12H y=4H	15.8	16.1	16.3	16.5	16.8	15.7	16.0	16.2	16.4	16.8
x=12H y=6H	15.8	16.0	16.3	16.5	16.9	15.8	16.0	16.2	16.4	16.9
x=12H y=8H	15.9	16.1	16.4	16.5	17.0	15.9	16.0	16.4	16.5	17.0

**Luminaire**

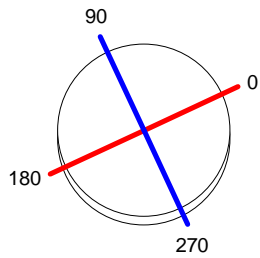
Code DE-0195-CRO  
 Name Applique FORLIGHT led 10W 3000K

**Measur.**

Code DE-0194-CRO  
 Name Applique FORLIGHT led 5W 3000K

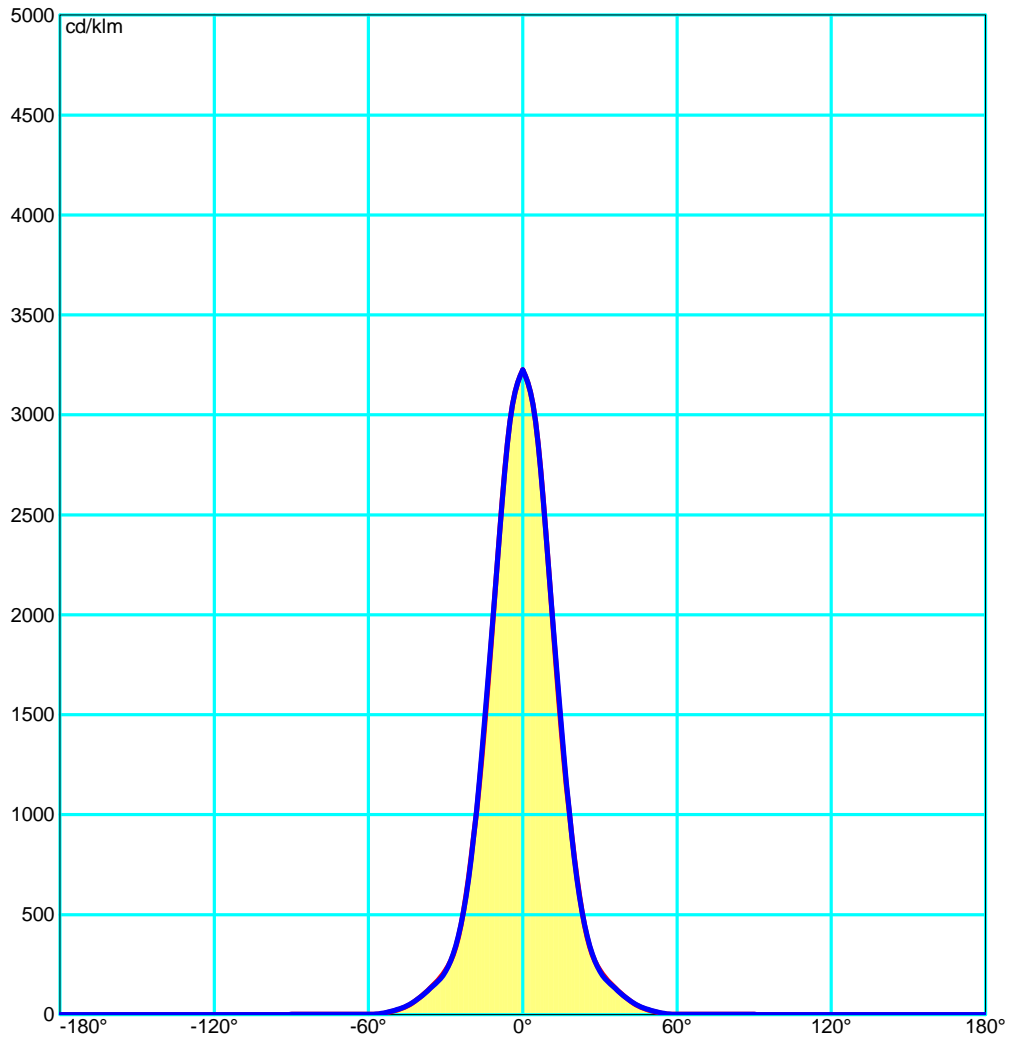
Luminaire Flux	897.12 lm	Luminaire Power	6.00 W	Efficacy	149.52 lm/W	Efficiency	100.00%
Lamps Flux	897.12 lm	Maximum value	3224.66 cd/klm	Position	C=0.00 G=0.00	CG	Double Symmetrical

Diam=60mm



C Halfplanes

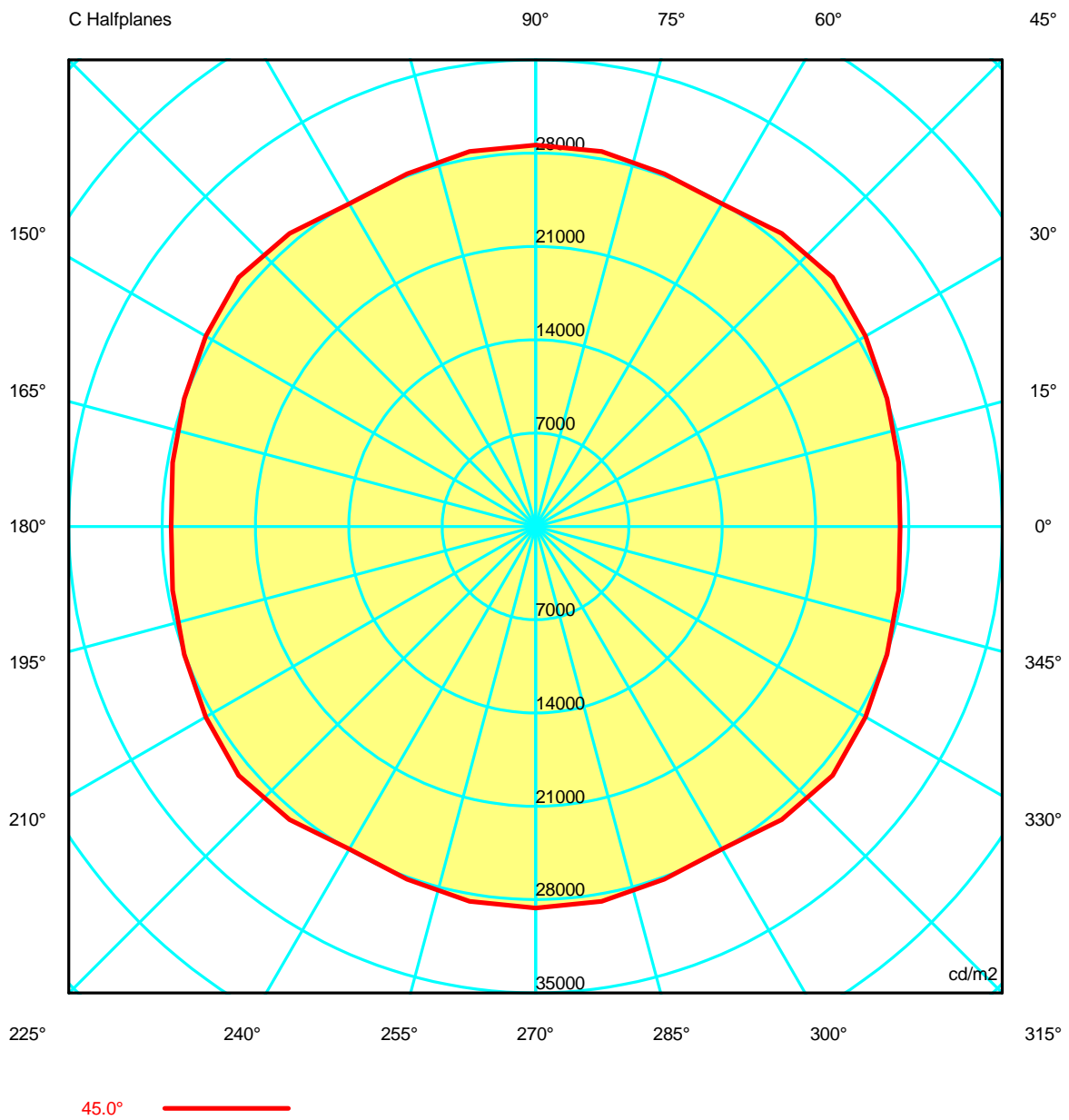
180.0 ———— 0.0  
 270.0 ———— 90.0



**Luminaire**  
 Code DE-0195-CRO  
 Name Aplique FORLIGHT led 10W 3000K  
**Measur.**  
 Code DE-0194-CRO  
 Name Aplique FORLIGHT led 5W 3000K

Luminaire Flux	897.12 lm	Luminaire Power	6.00 W	Efficacy	149.52 lm/W	Efficiency	100.00%
Lamps Flux	897.12 lm	Maximum value	3224.66 cd/klm	Position	C=0.00 G=0.00	CG	Double Symmetrical

Luminance





**Luminaire**

Code DE-0195-CRO  
Name Aplique FORLIGHT led 10W 3000K

**Measur.**

Code DE-0194-CRO  
Name Aplique FORLIGHT led 5W 3000K

Luminaire Flux	897.12 lm	Luminaire Power	6.00 W	Efficacy	149.52 lm/W	Efficiency	100.00%
Lamps Flux	897.12 lm	Maximum value	3224.66 cd/klm	Position	C=0.00 G=0.00	CG	Double Symmetrical

**Luminance cd/m2 Table 1/3**

	C 0.00	C 10.00	C 20.00	C 30.00	C 40.00	C 50.00	C 60.00	C 70.00	C 80.00	C 90.00	C 100.00	C 110.00	C 120.00
G 0.0	1473719.45	1473719.45	1473719.45	1473719.45	1473719.45	1473719.45	1473719.45	1473719.45	1473719.45	1473719.45	1473719.45	1473719.45	1473719.45
G 5.0	1361396.41	1360631.15	1358703.86	1357329.05	1359026.75	1358443.64	1354725.68	1352876.86	1355230.01	1360924.66	1355230.01	1352876.86	1354725.68
G 10.0	1043573.79	1040477.71	1039687.97	1041657.71	1044614.85	1045408.78	1044890.08	1046425.51	1046328.19	1043294.40	1046328.19	1046425.51	1044890.08
G 15.0	675234.01	674753.65	671949.68	670858.13	677440.61	680783.83	678994.26	680856.26	684733.67	688483.97	684733.67	680856.26	678994.26
G 20.0	383780.23	381355.83	378066.64	377006.61	381766.07	382860.87	381207.89	386214.14	386931.20	379348.24	386931.20	386214.14	381207.89
G 25.0	195130.65	194372.11	192647.04	192215.92	195915.73	196558.63	194352.99	196488.94	197976.49	198071.85	197976.49	196488.94	194352.99
G 30.0	117059.02	117876.02	117748.15	116958.24	116578.17	116029.07	115454.27	115608.94	115165.65	113698.23	115165.65	115608.94	115454.27
G 35.0	80777.40	80949.60	80688.52	80271.97	80241.13	79473.58	78618.94	79505.28	79989.90	79145.35	79989.90	79505.28	78618.94
G 40.0	51656.65	51755.89	52095.30	52465.55	52269.41	51190.50	50223.41	50813.28	51335.21	51003.91	51335.21	50813.28	50223.41
G 45.0	27328.48	27643.79	28041.43	28570.21	29065.14	28702.78	27947.41	28165.71	28562.48	28624.61	28562.48	28165.71	27947.41
G 50.0	13615.36	13717.73	14166.46	15000.95	15074.35	14815.22	14634.64	14560.60	14634.50	14823.68	14634.50	14560.60	14634.64
G 55.0	3433.27	3763.49	3856.88	3920.90	4314.19	4291.56	3950.46	4148.41	4317.16	4151.78	4317.16	4148.41	3950.46
G 60.0	382.78	377.03	375.06	377.86	385.69	406.02	431.44	443.44	445.31	445.32	445.31	443.44	431.44
G 65.0	502.63	492.90	491.72	496.75	497.48	498.72	500.47	506.39	512.65	517.77	512.65	506.39	500.47
G 70.0	827.32	809.67	808.32	817.69	819.08	827.14	844.09	855.81	866.58	879.76	866.58	855.81	844.09
G 75.0	1495.55	1468.70	1459.40	1469.00	1485.43	1507.05	1537.99	1580.63	1619.30	1648.50	1619.30	1580.63	1537.99
G 80.0	2854.21	2798.01	2790.05	2822.10	2849.48	2903.19	2992.77	3088.91	3171.48	3239.17	3171.48	3088.91	2992.77
G 85.0	6931.54	6843.06	6815.55	6865.10	6968.33	7121.87	7336.71	7606.91	7827.73	7972.09	7827.73	7606.91	7336.71
G 90.0	0.00	0.00	0.00	0.00	0.00	0.00	0.00	0.00	0.00	0.00	0.00	0.00	0.00



**Luminaire**

Code DE-0195-CRO  
Name Aplique FORLIGHT led 10W 3000K

**Measurerm.**

Code DE-0194-CRO  
Name Aplique FORLIGHT led 5W 3000K

Luminaire Flux	897.12 lm	Luminaire Power	6.00 W	Efficacy	149.52 lm/W	Efficiency	100.00%
Lamps Flux	897.12 lm	Maximum value	3224.66 cd/klm	Position	C=0.00 G=0.00	CG	Double Symmetrical

**Luminance cd/m2 Table 2/3**

	C 130.00	C 140.00	C 150.00	C 160.00	C 170.00	C 180.00	C 190.00	C 200.00	C 210.00	C 220.00	C 230.00	C 240.00	C 250.00
G 0.0	1473719.45	1473719.45	1473719.45	1473719.45	1473719.45	1473719.45	1473719.45	1473719.45	1473719.45	1473719.45	1473719.45	1473719.45	1473719.45
G 5.0	1358443.64	1359026.75	1357329.05	1358703.86	1360631.15	1361396.41	1360631.15	1358703.86	1357329.05	1359026.75	1358443.64	1354725.68	1352876.86
G 10.0	1045408.78	1044614.85	1041657.71	1039687.97	1040477.71	1043573.79	1040477.71	1039687.97	1041657.71	1044614.85	1045408.78	1044890.08	1046425.51
G 15.0	680783.83	677440.61	670858.13	671949.68	674753.65	675234.01	674753.65	671949.68	670858.13	677440.61	680783.83	678994.26	680856.26
G 20.0	382860.87	381766.07	377006.61	378066.64	381355.83	383780.23	381355.83	378066.64	377006.61	381766.07	382860.87	381207.89	386214.14
G 25.0	196558.63	195915.73	192215.92	192647.04	194372.11	195130.65	194372.11	192647.04	192215.92	195915.73	196558.63	194352.99	196488.94
G 30.0	116029.07	116578.17	116958.24	117748.15	117876.02	117059.02	117876.02	117748.15	116958.24	116578.17	116029.07	115454.27	115608.94
G 35.0	79473.58	80241.13	80271.97	80688.52	80949.60	80777.40	80949.60	80688.52	80271.97	80241.13	79473.58	78618.94	79505.28
G 40.0	51190.50	52269.41	52465.55	52095.30	51755.89	51656.65	51755.89	52095.30	52465.55	52269.41	51190.50	50223.41	50813.28
G 45.0	28702.78	29065.14	28570.21	28041.43	27643.79	27328.48	27643.79	28041.43	28570.21	29065.14	28702.78	27947.41	28165.71
G 50.0	14815.22	15074.35	15000.95	14166.46	13717.73	13615.36	13717.73	14166.46	15000.95	15074.35	14815.22	14634.64	14560.60
G 55.0	4291.56	4314.19	3920.90	3856.88	3763.49	3433.27	3763.49	3856.88	3920.90	4314.19	4291.56	3950.46	4148.41
G 60.0	406.02	385.69	377.86	375.06	377.03	382.78	377.03	375.06	377.86	385.69	406.02	431.44	443.44
G 65.0	498.72	497.48	496.75	491.72	492.90	502.63	492.90	491.72	496.75	497.48	498.72	500.47	506.39
G 70.0	827.14	819.08	817.69	808.32	809.67	827.32	809.67	808.32	817.69	819.08	827.14	844.09	855.81
G 75.0	1507.05	1485.43	1469.00	1459.40	1468.70	1495.55	1468.70	1459.40	1469.00	1485.43	1507.05	1537.99	1580.63
G 80.0	2903.19	2849.48	2822.10	2790.05	2798.01	2854.21	2798.01	2790.05	2822.10	2849.48	2903.19	2992.77	3088.91
G 85.0	7121.87	6968.33	6865.10	6815.55	6843.06	6931.54	6843.06	6815.55	6865.10	6968.33	7121.87	7336.71	7606.91
G 90.0	0.00	0.00	0.00	0.00	0.00	0.00	0.00	0.00	0.00	0.00	0.00	0.00	0.00



**Luminaire**

Code DE-0195-CRO  
Name Aplique FORLIGHT led 10W 3000K

**Measur.**

Code DE-0194-CRO  
Name Aplique FORLIGHT led 5W 3000K

Luminaire Flux	897.12 lm	Luminaire Power	6.00 W	Efficacy	149.52 lm/W	Efficiency	100.00%
Lamps Flux	897.12 lm	Maximum value	3224.66 cd/klm	Position	C=0.00 G=0.00	CG	Double Symmetrical

**Luminance cd/m2 Table 3/3**

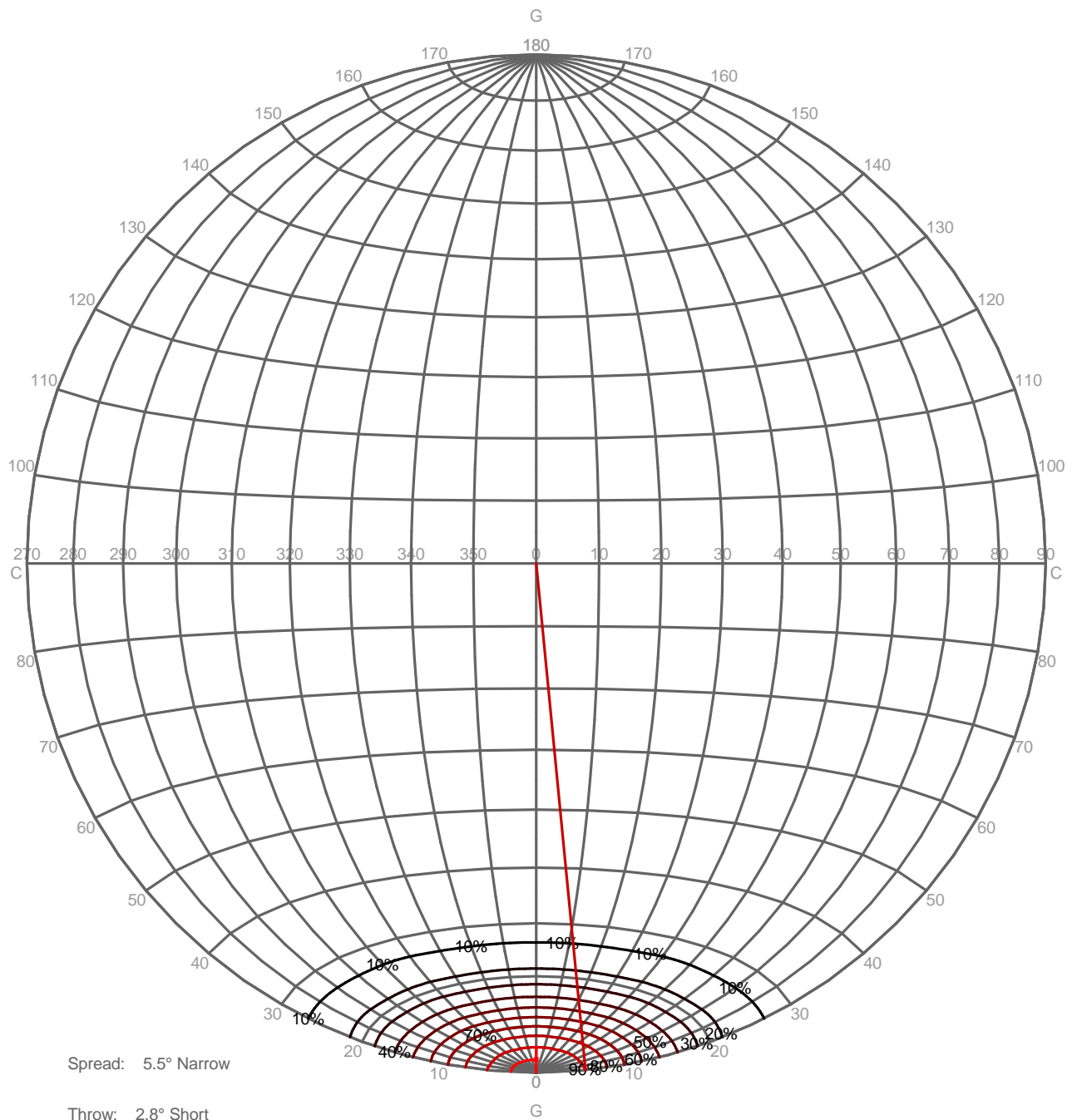
	C 260.00	C 270.00	C 280.00	C 290.00	C 300.00	C 310.00	C 320.00	C 330.00	C 340.00	C 350.00
G 0.0	1473719.45	1473719.45	1473719.45	1473719.45	1473719.45	1473719.45	1473719.45	1473719.45	1473719.45	1473719.45
G 5.0	1355230.01	1360924.66	1355230.01	1352876.86	1354725.68	1358443.64	1359026.75	1357329.05	1358703.86	1360631.15
G 10.0	1046328.19	1043294.40	1046328.19	1046425.51	1044890.08	1045408.78	1044614.85	1041657.71	1039687.97	1040477.71
G 15.0	684733.67	688483.97	684733.67	680856.26	678994.26	680783.83	677440.61	670858.13	671949.68	674753.65
G 20.0	386931.20	379348.24	386931.20	386214.14	381207.89	382860.87	381766.07	377006.61	378066.64	381355.83
G 25.0	197976.49	198071.85	197976.49	196488.94	194352.99	196558.63	195915.73	192215.92	192647.04	194372.11
G 30.0	115165.65	113698.23	115165.65	115608.94	115454.27	116029.07	116578.17	116958.24	117748.15	117876.02
G 35.0	79989.90	79145.35	79989.90	79505.28	78618.94	79473.58	80241.13	80271.97	80688.52	80949.60
G 40.0	51335.21	51003.91	51335.21	50813.28	50223.41	51190.50	52269.41	52465.55	52095.30	51755.89
G 45.0	28562.48	28624.61	28562.48	28165.71	27947.41	28702.78	29065.14	28570.21	28041.43	27643.79
G 50.0	14634.50	14823.68	14634.50	14560.60	14634.64	14815.22	15074.35	15000.95	14166.46	13717.73
G 55.0	4317.16	4151.78	4317.16	4148.41	3950.46	4291.56	4314.19	3920.90	3856.88	3763.49
G 60.0	445.31	445.32	445.31	443.44	431.44	406.02	385.69	377.86	375.06	377.03
G 65.0	512.65	517.77	512.65	506.39	500.47	498.72	497.48	496.75	491.72	492.90
G 70.0	866.58	879.76	866.58	855.81	844.09	827.14	819.08	817.69	808.32	809.67
G 75.0	1619.30	1648.50	1619.30	1580.63	1537.99	1507.05	1485.43	1469.00	1459.40	1468.70
G 80.0	3171.48	3239.17	3171.48	3088.91	2992.77	2903.19	2849.48	2822.10	2790.05	2798.01
G 85.0	7827.73	7972.09	7827.73	7606.91	7336.71	7121.87	6968.33	6865.10	6815.55	6843.06
G 90.0	0.00	0.00	0.00	0.00	0.00	0.00	0.00	0.00	0.00	0.00

**Luminaire**  
 Code DE-0195-CRO  
 Name Aplique FORLIGHT led 10W 3000K  
**Measur.**  
 Code DE-0194-CRO  
 Name Aplique FORLIGHT led 5W 3000K

Luminaire Flux	897.12 lm	Luminaire Power	6.00 W	Efficacy	149.52 lm/W	Efficiency	100.00%
Lamps Flux	897.12 lm	Maximum value	3224.66 cd/klm	Position	C=0.00 G=0.00	CG	Double Symmetrical

**PERCENTAGE ISOCANDLES**

Projection: Equal Area Tilting Angle:0°



**Luminaire**

Code DE-0195-CRO  
 Name Aplique FORLIGHT led 10W 3000K

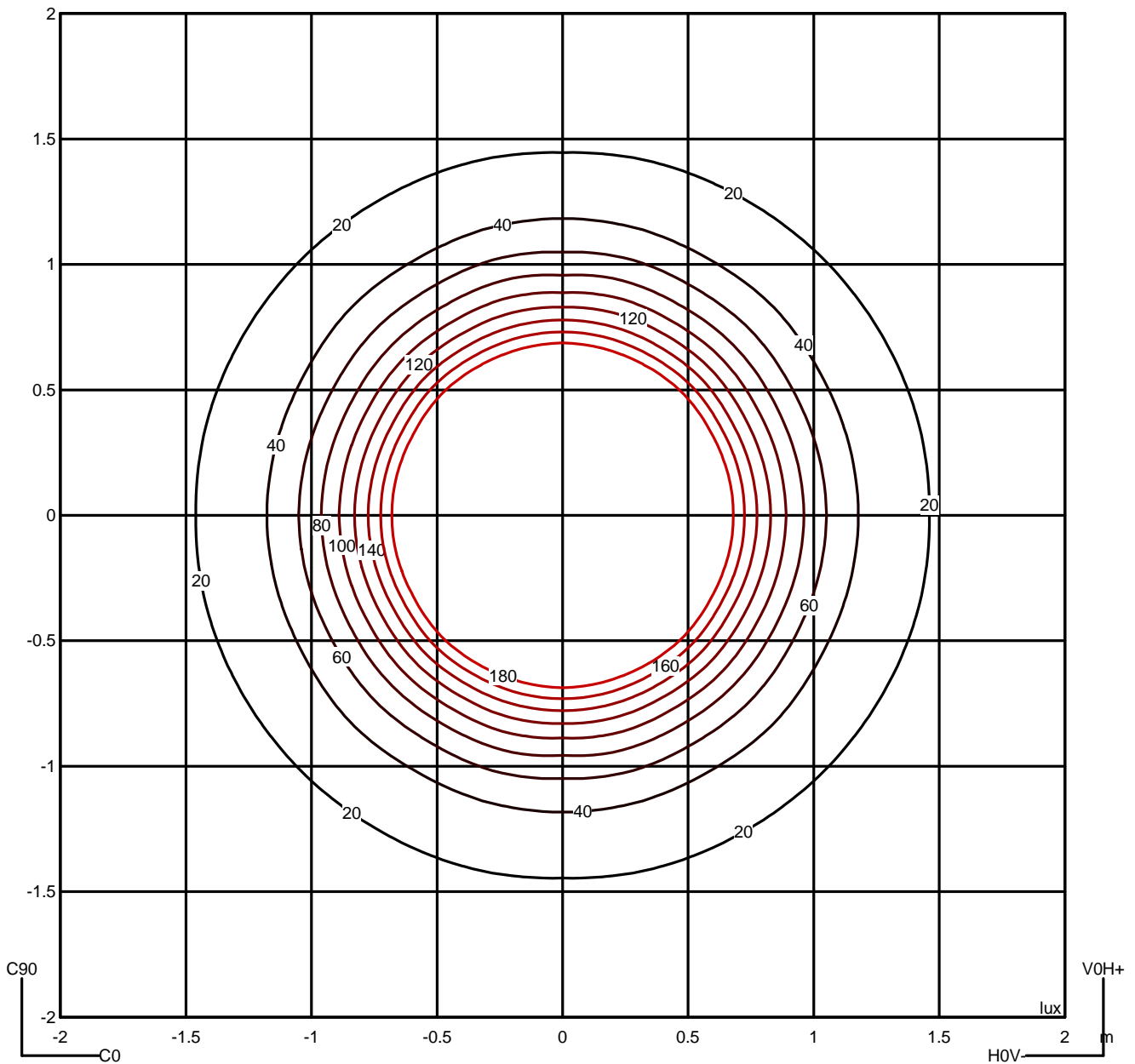
**Measur.**

Code DE-0194-CRO  
 Name Aplique FORLIGHT led 5W 3000K

Luminaire Flux	897.12 lm	Luminaire Power	6.00 W	Efficacy	149.52 lm/W	Efficiency	100.00%
Lamps Flux	897.12 lm	Maximum value	3224.66 cd/klm	Position	C=0.00 G=0.00	CG	Double Symmetrical

Isolux (Floor)

Luminaire position X=0.00m Y=0.00m Z=2.50m



**Luminaire**

Code DE-0195-CRO  
 Name Aplique FORLIGHT led 10W 3000K

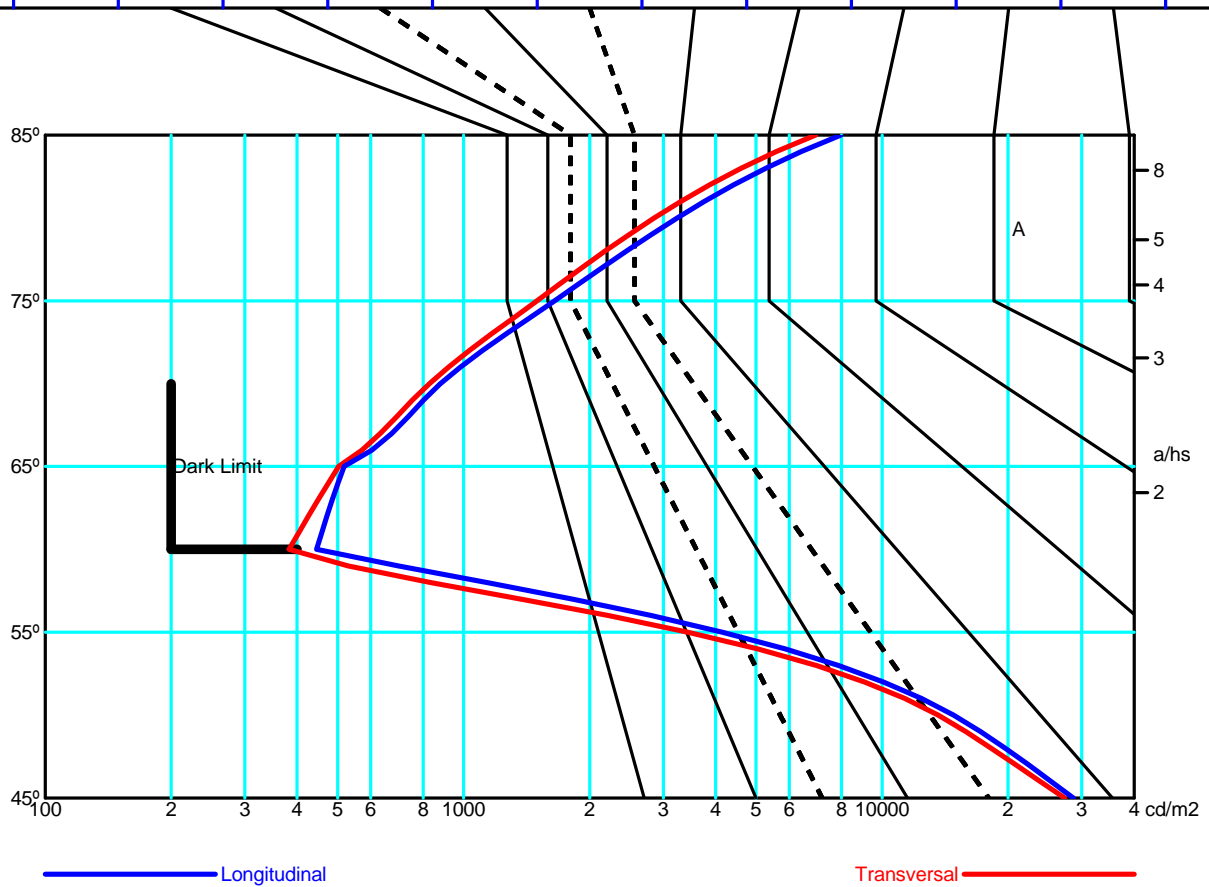
**Measur.**

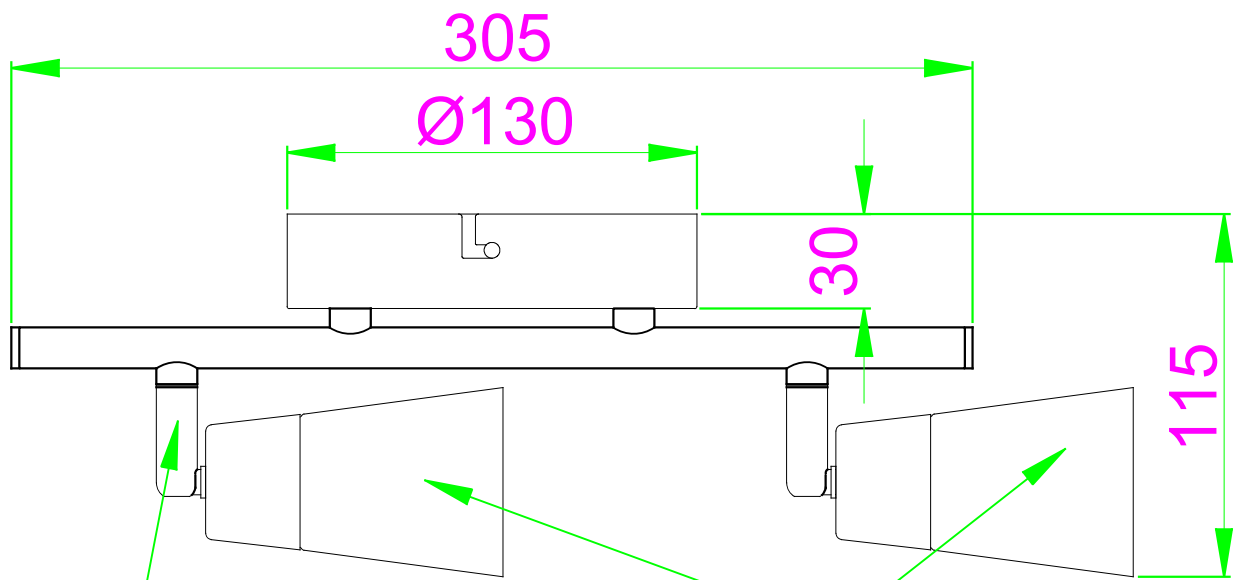
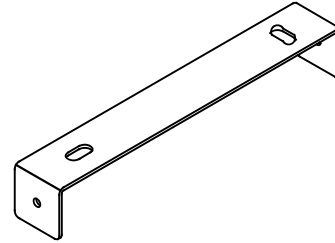
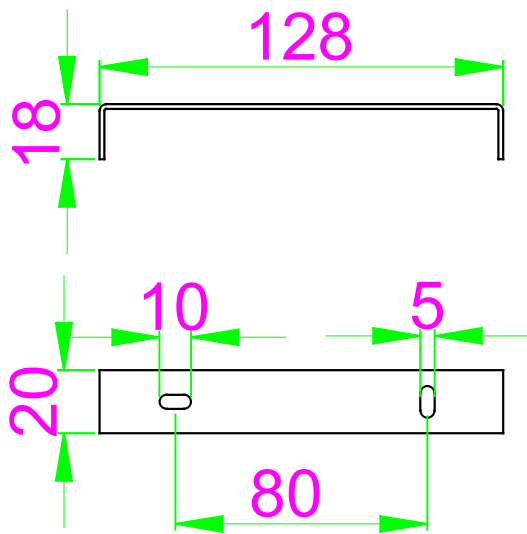
Code DE-0194-CRO  
 Name Aplique FORLIGHT led 5W 3000K

Luminaire Flux	897.12 lm	Luminaire Power	6.00 W	Efficacy	149.52 lm/W	Efficiency	100.00%
Lamps Flux	897.12 lm	Maximum value	3224.66 cd/klm	Position	C=0.00 G=0.00	CG	Double Symmetrical

		Average Luminance [cd/m <sup>2</sup> ]									
		45°	50°	55°	60°	65°	70°	75°	80°	85°	
0.0°	27328	13615	3433	383	503	827	1496	2854	6932	---	
90.0°	28625	14824	4152	445	518	880	1649	3239	7972	---	

Flush mounted or longitudinal view												
		Illumination(lx)										
A	A	2000	1000	750	500		<300				1.15	
B	1		2000	1500	1000	750	500	<300			1.5	
C					2000		1000	500	<300		1.85	
D	2						2000	1000	500	<300	2.2	
E	3							2000	1000	500	<300	2.55

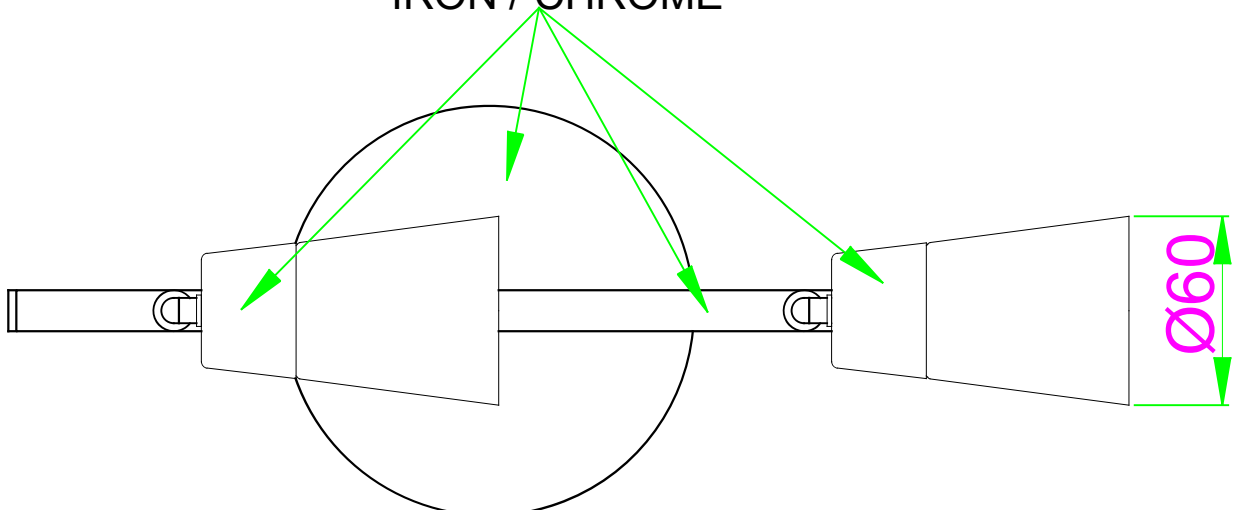




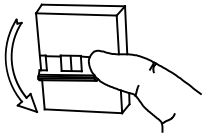
COPPER / CHROME

IRON / SATIN NICKEL

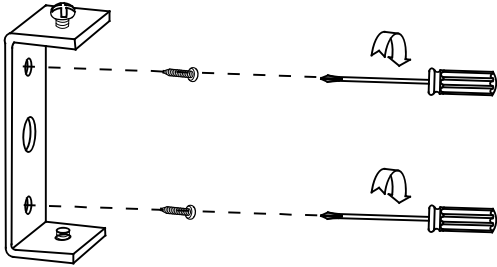
IRON / CHROME



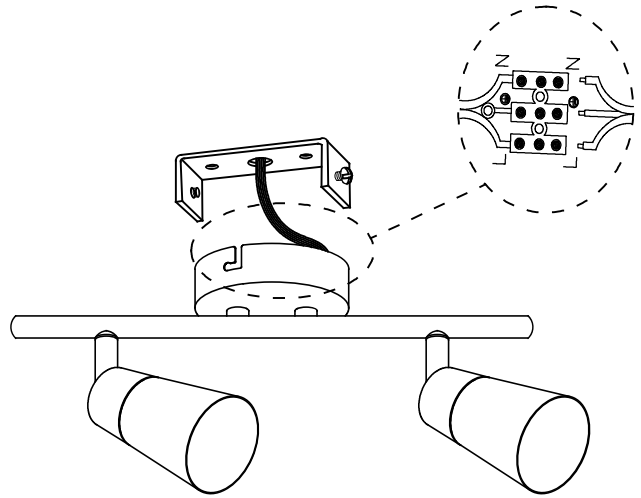
**1**



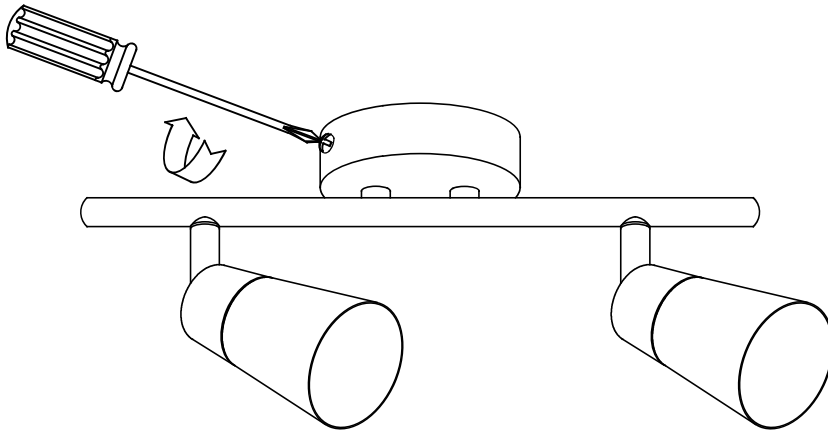
**OFF**



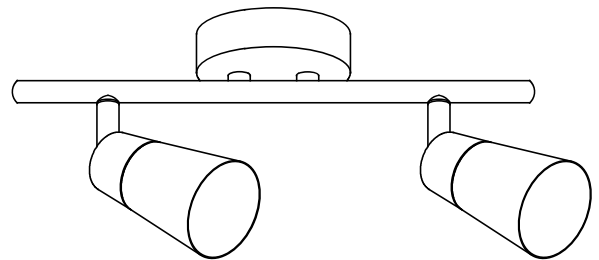
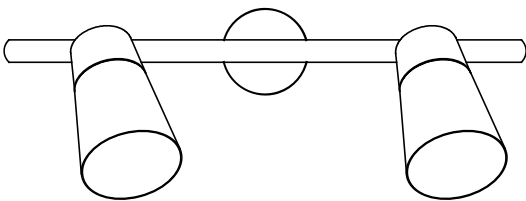
**2**



**3**



**4**



**ON**

