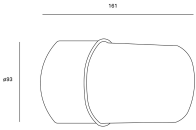


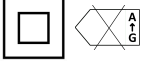
PX-0159-NEG

Surface-mounted wall light IP54 Port E27 15W Black

TECHNICAL FEATURES



IP54 IK10



Luminaire total power : 15W

Structure material : Polycarbonate + ABS

Structure finish : Black

Diffuser material : Polycarbonate

Diffuser finish : White

Max. size of light bulb : 120/ø70 mm

Recommended light bulb : E27

Voltage / frequency : 100-240V ~ 50/60Hz

Warranty : 2 Years

Resistant to marine environments : Yes

LUMINOTECHNIC FEATURES

Lampholder	Quantity	Light source power (W)	Correlated Colour Temperature (CCT)
E27	1	Max. power 15W	-

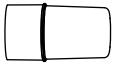
LOGISTICS

Net weight (kg): 0.2

Packaged weight (kg): 0.27

 18 Un

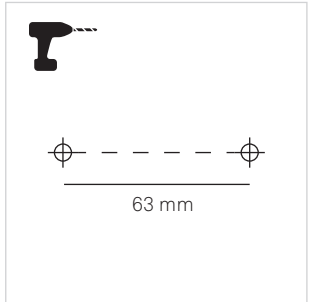
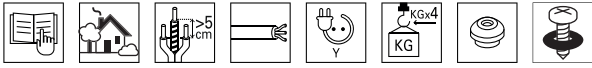




Port

PX-0159

FOR
LIGHT



1

2

3

4

E-27

5

6