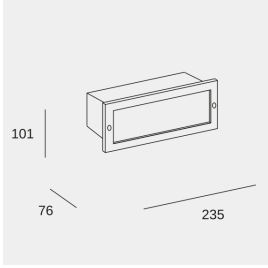




Tamesis

PX-0465-INO

Recessed wall lighting IP44 Tamesis E27 15W Stainless steel



TECHNICAL FEATURES

IP44 IK08



Luminaire total power : 15W

Structure material : Stainless steel AISI304

Structure finish : Stainless steel

Diffuser material : Glass

Diffuser finish : Matt

Max. size of light bulb : 145/45 mm

Recommended light bulb : E27

Voltage / frequency : 100-240V ~ 50/60Hz

Warranty : 5 Years

Resistant to marine environments : No

Easily recyclable luminaire

LUMINOTECHNIC FEATURES

Lampholder	Quantity	Light source power (W)	Correlated Colour Temperature (CCT)
E27	1	Max. power 15W	-

LOGISTICS

Net weight (kg): 0.94

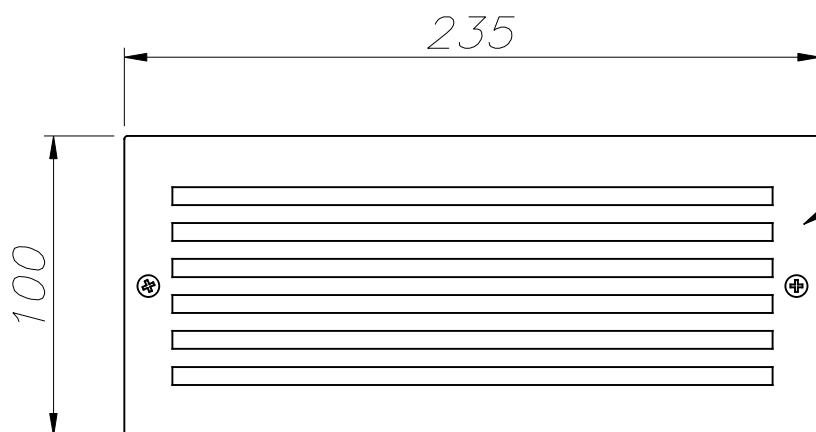
Packaged weight (kg): 1.06

Packaging: 245mm x 110mm x 110mm

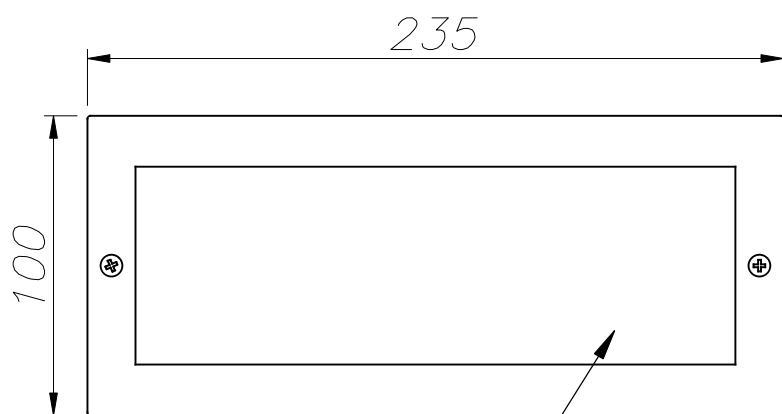


18 Un

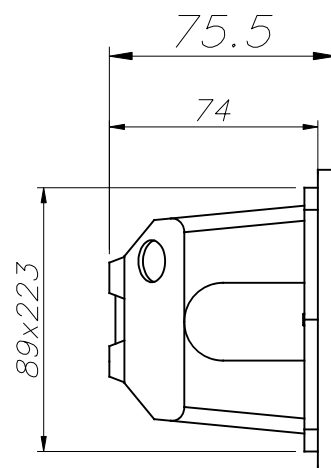




ACERO INOXIDABLE AISI 304
STAINLESS STEEL AISI 304

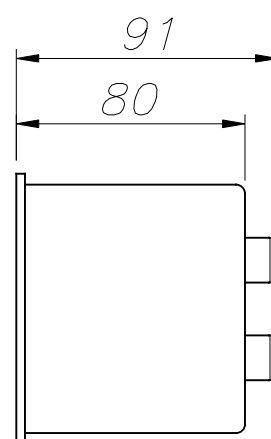
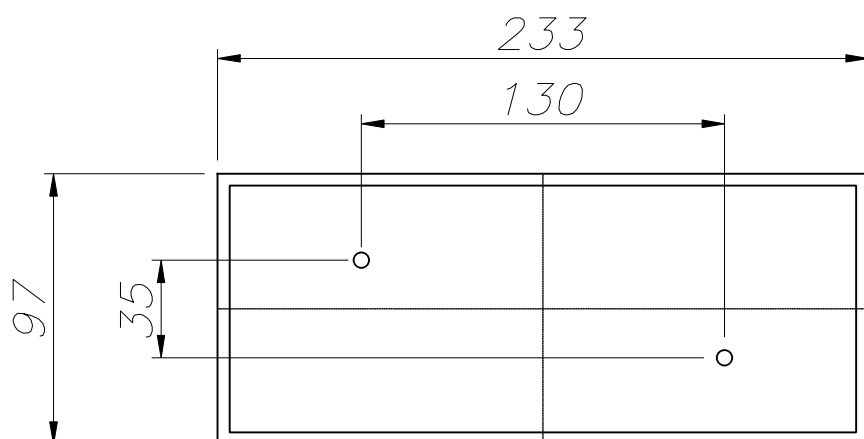
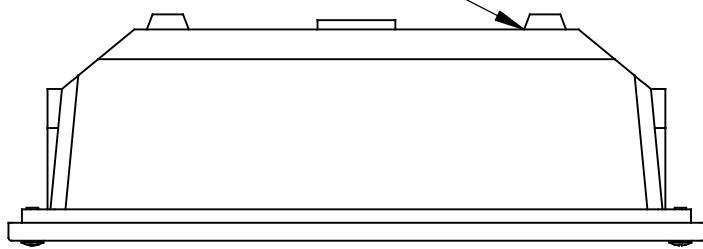


CRISTAL ARENADO INTERIOR
SANDFROSTED GLASS INSIDE

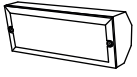


ACERO INOXIDABLE AISI 304
STAINLESS STEEL AISI 304

ALUMINIO INYECTADO
INJECTED ALUMINIUM



CAJA DE EMPOTRAR
FLUSH FITTING BOX



Tamesis

PX-0465

FOR
LIGHT

