

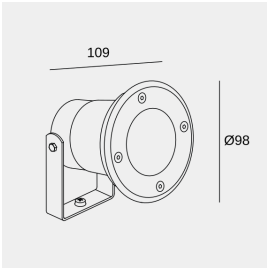


Post

PX-1400-BLA

Spotlight IP65 Post GU10 8W White

TECHNICAL FEATURES



IP65 IK09



RF 850°C



180°



Luminaire total power : 8W

Structure material : Aluminium, Aluminium

Structure finish : White

Diffuser material : Glass

Diffuser finish : Transparent

Max. size of light bulb : 55/50 mm

Recommended light bulb : GU10

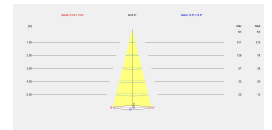
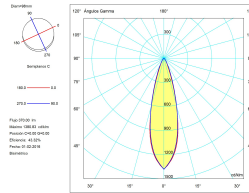
Voltage / frequency : 100-240V ~ 50/60Hz

Warranty : 5 Years

Easily recyclable luminaire

LUMINOTECHNIC FEATURES

Lampholder	Quantity	Light source power (W)	Correlated Colour Temperature (CCT)
GU10	1	Max. power 8W	-



LOGISTICS

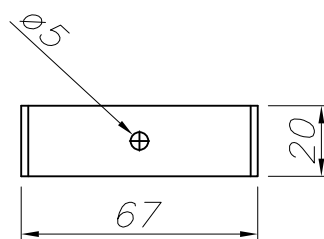
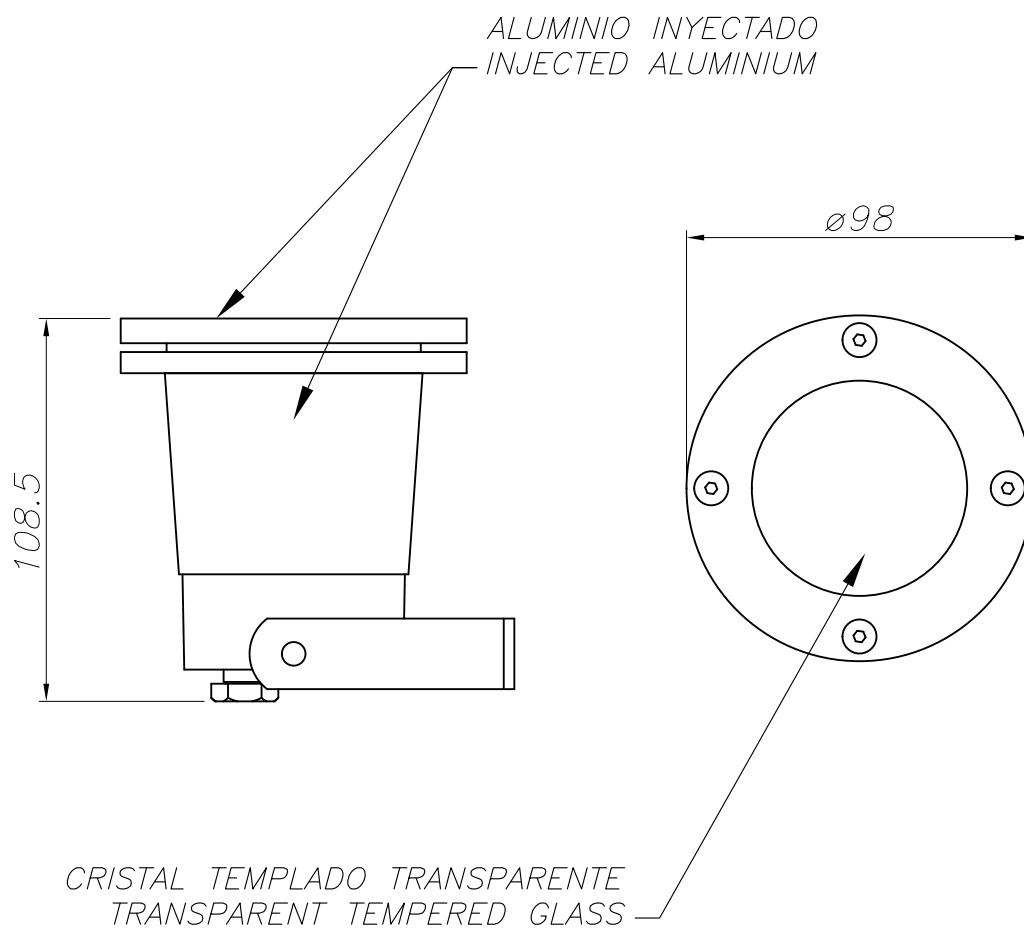
Net weight (kg): 0.47

Packaged weight (kg): 0.58

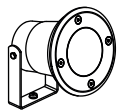
Packaging: 100mm x 100mm x 180mm

20 Un





PLANTILLA DE INSTALACIÓN
INSTALLATION TEMPLATE



Post

PX-1400

FOR
LIGHT

