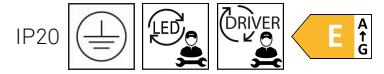
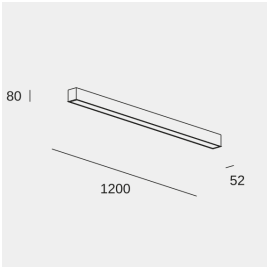


**TC-0450-GRI**

Lineal lighting system Ilo Surface LED 27.9W 3000K ON-OFF Grey IP20 2635.00

**TECHNICAL FEATURES**



Luminaire total power : 27.9W

Real lumens : 1773

Nominal lumens : 2635

Real lm/W : 64

Structure material : Aluminium

Structure finish : Grey

Diffuser material : Acrylic

Diffuser finish : Tinted

Voltage / frequency : 100-277V ~ 50/60Hz

Dimming protocol : ON-OFF

Power Factor : 0.90

Useful life : 36.000h L70B30

Warranty : 3 Years

Easily recyclable luminaire

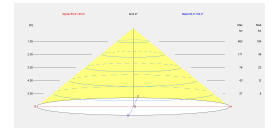
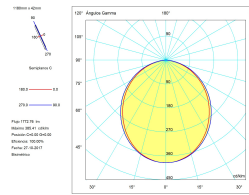
**LUMINOTECHNIC FEATURES**

CRI: 80

MacAdam steps: 3

Photobiological risk: RG0

Lampholder	Quantity	Light source power (W)	Correlated Colour Temperature (CCT)
LED	1	25W	3000K



**LOGISTICS**

Net weight (kg): 2.07

Packaged weight (kg): 2.55

Packaging: 1250mm x 85mm x 110mm



**Luminaire**

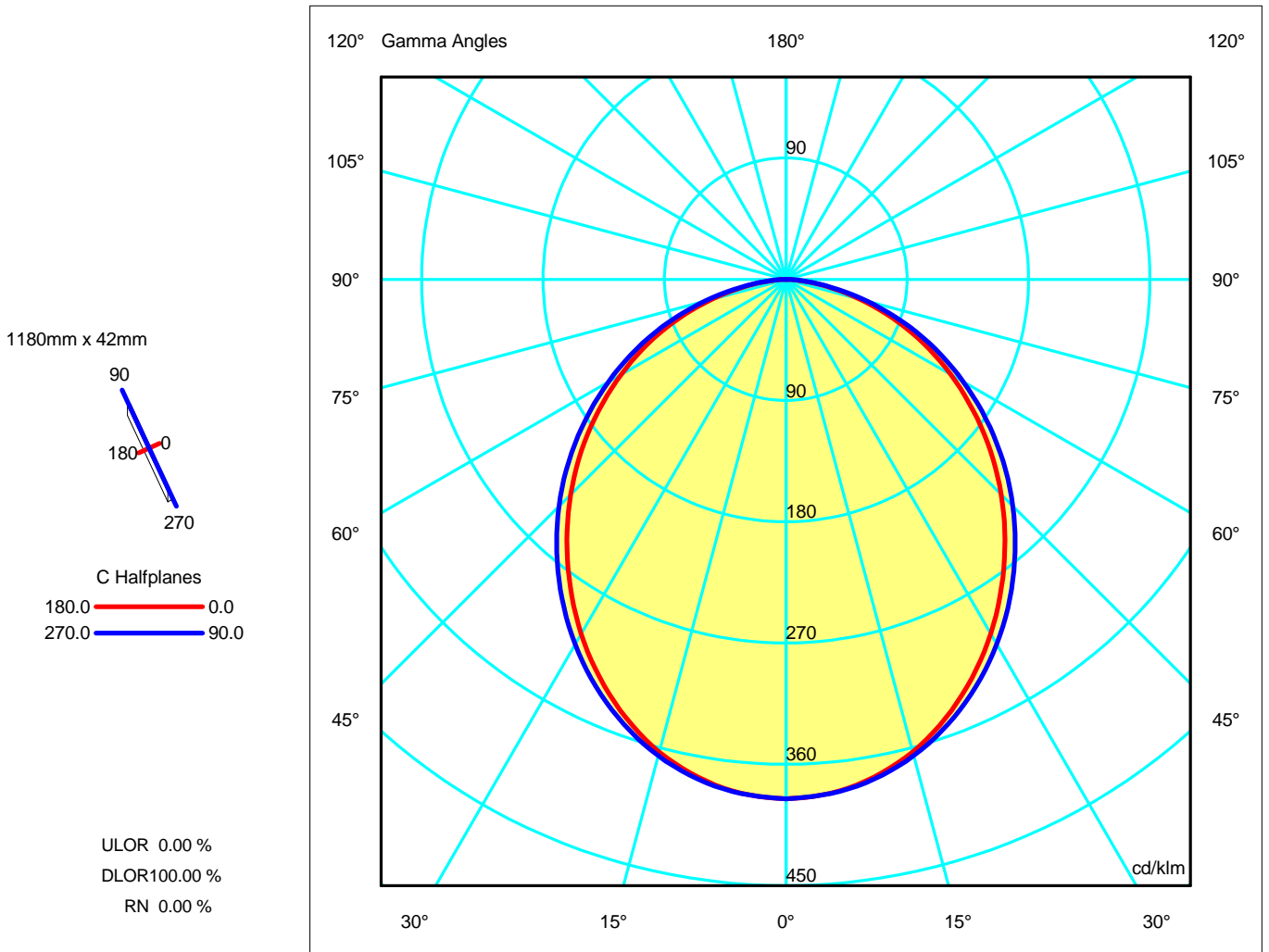
Code TC-0450-GRI  
 Name Colgante ILO leds 28W 3000K

**Measur.**

Code TC-0359-BLA  
 Name Colgante ILO leds 28W 3000K

Luminaire Flux	1772.76 lm	Luminaire Power	28.40 W	Efficacy	62.42 lm/W	Efficiency	100.00%
Lamps Flux	1772.76 lm	Maximum value	385.41 cd/klm	Position	C=0.00 G=0.00	CG	Double Symmetrical
Rectangular Luminaire		Length	1180 mm	Width	42 mm	Height	60 mm
Rectangular Luminous Area		Length	1170 mm	Width	40 mm	Height	0 mm
Horizontal Luminous Area	0.046800 m2	Emitting area on Plane 180°		Emitting area on Plane 270°		Emitting area on Plane 90°	0.000000 m2
Emitting area on Plane 0°	0.000000 m2	Glare area at 76°					0.011322 m2
Emitting area on Plane 90°	0.000000 m2						
Coordinate system	CG	Symmetry Type	Double Symmetrical				
Date	27-10-2017	Maximum Gamma Angle	90				
Measurement Distance	0.00	Measurement Flux	1772.76 lm				
Operator	LEDS	Source Voltage [V]					
Temperature	25.00 °C	Source current [A]					
Humidity	60.00 %	Photocell					
Notes							

Line	Code	Luminaire Lamps	Flux [lm]	Pow. [W]	Q.ty
	TC-0450-GRI	Name TC-0450-GRI	1772.76	28.40	1
C.I.E.	49 80 96 100 100	D DIN 5040	A30		
F UTE	1.00 E	B NBN	BZ 4		



**Luminaire**

Code TC-0450-GRI  
Name Colgante ILO leds 28W 3000K

**Measur.**

Code TC-0359-BLA  
Name Colgante ILO leds 28W 3000K

Luminaire Flux	1772.76 lm	Luminaire Power	28.40 W	Efficacy	62.42 lm/W	Efficiency	100.00%
Lamps Flux	1772.76 lm	Maximum value	385.41 cd/klm	Position	C=0.00 G=0.00	CG	Double Symmetrical

**Luminous Intensity Table cd/klm Table 1/1**

	C 0.00	C 15.00	C 30.00	C 45.00	C 60.00	C 75.00	C 90.00
G 0.0	385.41	385.41	385.41	385.41	385.41	385.41	385.41
G 5.0	382.84	382.82	382.77	382.91	383.13	383.23	382.97
G 10.0	375.06	375.23	375.48	375.88	376.31	376.56	376.60
G 15.0	363.08	363.08	363.76	364.69	365.28	365.78	365.96
G 20.0	346.44	346.70	347.64	348.83	350.22	351.76	351.34
G 25.0	326.39	326.78	328.48	330.04	331.77	333.23	333.47
G 30.0	303.70	304.40	305.83	308.08	310.52	312.67	312.64
G 35.0	278.69	279.81	281.75	284.87	286.79	288.60	289.42
G 40.0	252.64	253.69	255.54	258.66	261.16	264.54	264.28
G 45.0	225.66	226.63	229.81	231.60	234.55	236.87	237.91
G 50.0	198.02	198.45	200.79	203.60	206.65	209.95	210.21
G 55.0	169.39	170.32	173.42	176.07	178.02	180.22	181.22
G 60.0	140.99	141.64	143.60	146.39	148.73	152.47	151.86
G 65.0	112.71	113.05	116.07	118.42	119.40	121.34	122.09
G 70.0	84.05	84.52	85.79	87.84	89.57	92.79	92.06
G 75.0	55.93	56.80	59.05	60.33	60.85	62.01	61.83
G 80.0	31.03	31.46	32.01	33.00	33.74	35.42	34.31
G 85.0	10.18	10.93	11.72	12.18	11.65	11.76	11.88
G 90.0	0.84	0.84	0.85	0.84	0.83	0.84	0.82

**Luminaire**

Code TC-0450-GRI  
 Name Colgante ILO leds 28W 3000K

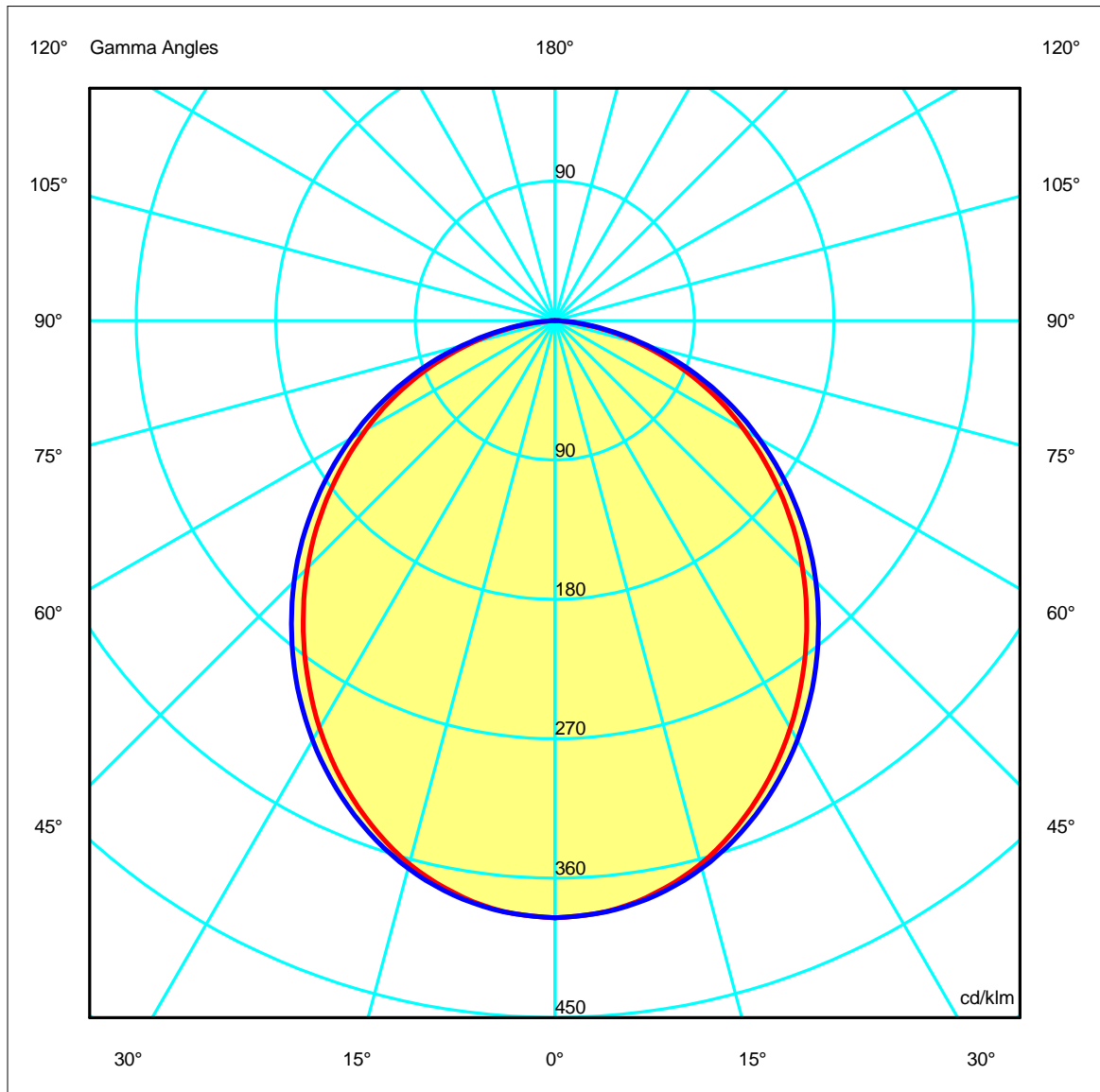
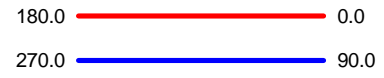
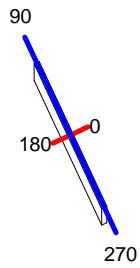
**Measur.**

Code TC-0359-BLA  
 Name Colgante ILO leds 28W 3000K

Luminaire Flux	1772.76 lm	Luminaire Power	28.40 W	Efficacy	62.42 lm/W	Efficiency	100.00%
Lamps Flux	1772.76 lm	Maximum value	385.41 cd/klm	Position	C=0.00 G=0.00	CG	Double Symmetrical

1180mm x 42mm

C Halfplanes



**Luminaire**

Code TC-0450-GRI  
 Name Colgante ILO leds 28W 3000K

**Measur.**

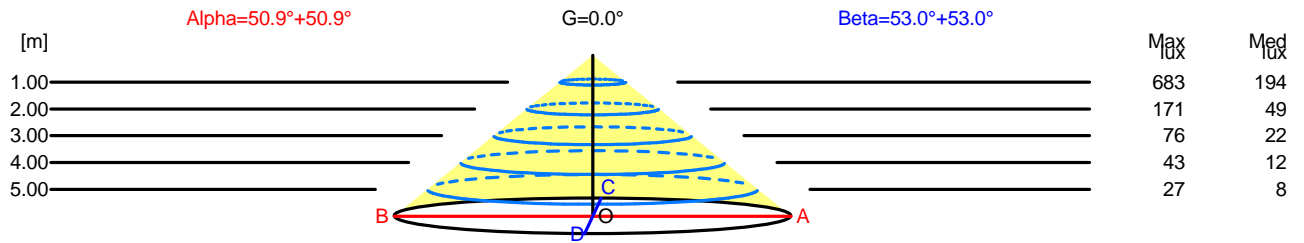
Code TC-0359-BLA  
 Name Colgante ILO leds 28W 3000K

Luminaire Flux	1772.76 lm	Luminaire Power	28.40 W	Efficacy	62.42 lm/W	Efficiency	100.00%
Lamps Flux	1772.76 lm	Maximum value	385.41 cd/klm	Position	C=0.00 G=0.00	CG	Double Symmetrical

Width at 50.00 % of Max Intensity

H[m]	1.00	2.00	3.00	4.00	5.00	H[m]	1.00	2.00	3.00	4.00	5.00
OA	1.23	2.46	3.70	4.93	6.16	OC	1.33	2.66	3.99	5.31	6.64
OB	1.23	2.46	3.70	4.93	6.16	OD	1.33	2.66	3.99	5.31	6.64

	Luminous Intensities [ cd/klm ]									
	0	5	15	25	35	45	55	65	75	85
OA	683.25	678.69	643.66	578.61	494.05	400.03	300.28	199.80	99.16	18.05
OB	683.25	678.69	643.66	578.61	494.05	400.03	300.28	199.80	99.16	18.05
OC	683.25	678.92	648.76	591.16	513.06	421.76	321.26	216.43	109.62	21.06
OD	683.25	678.92	648.76	591.16	513.06	421.76	321.26	216.43	109.62	21.06



H[m]	D[m]	Max lux	Med lux	Alpha=50.9°+50.9°	G=0.0	
1.00	2.46	683	194			
2.00	4.93	171	49			
3.00	7.39	76	22			
4.00	9.86	43	12			
5.00	12.32	27	8			

H[m]	D[m]	Max lux	Med lux	Beta=53.0°+53.0°	G=0.0	
1.00	2.66	683	194			
2.00	5.31	171	49			
3.00	7.97	76	22			
4.00	10.63	43	12			
5.00	13.29	27	8			

**Luminaire**

 Code TC-0450-GRI  
 Name Colgante ILO leds 28W 3000K

**Measurement**

 Code TC-0359-BLA  
 Name Colgante ILO leds 28W 3000K

Luminaire Flux	1772.76 lm	Luminaire Power	28.40 W	Efficacy	62.42 lm/W	Efficiency	100.00%
Lamps Flux	1772.76 lm	Maximum value	385.41 cd/klm	Position	C=0.00 G=0.00	CG	Double Symmetrical

**UGR**  
S = 0.250

Reflectancies										
Ceiling/Cavity	0.7	0.7	0.5	0.5	0.3	0.7	0.7	0.5	0.5	0.3
Walls	0.5	0.3	0.5	0.3	0.3	0.5	0.3	0.5	0.3	0.3
WorkingPlane	0.2	0.2	0.2	0.2	0.2	0.2	0.2	0.2	0.2	0.2
RoomDimensions	ViewedCrosswise					ViewedEndwise				
x=2H y=2H	20.7	22.0	21.0	22.2	22.5	21.1	22.3	21.3	22.6	22.8
x=2H y=3H	22.2	23.4	22.5	23.6	23.9	22.6	23.8	22.9	24.1	24.3
x=2H y=4H	22.8	23.9	23.1	24.1	24.4	23.2	24.3	23.6	24.6	24.9
x=2H y=6H	23.1	24.1	23.5	24.4	24.8	23.6	24.6	24.0	25.0	25.3
x=2H y=8H	23.2	24.2	23.6	24.5	24.8	23.7	24.7	24.1	25.0	25.3
x=2H y=12H	23.2	24.2	23.6	24.5	24.9	23.8	24.7	24.2	25.0	25.4
x=4H y=2H	21.5	22.6	21.8	22.9	23.2	21.8	22.9	22.1	23.1	23.4
x=4H y=3H	23.1	24.1	23.5	24.4	24.8	23.5	24.4	23.9	24.8	25.1
x=4H y=4H	23.8	24.7	24.2	25.0	25.4	24.2	25.0	24.6	25.4	25.8
x=4H y=6H	24.3	25.0	24.7	25.4	25.8	24.7	25.5	25.1	25.8	26.2
x=4H y=8H	24.4	25.1	24.8	25.5	25.9	24.9	25.5	25.3	25.9	26.3
x=4H y=12H	24.5	25.1	24.9	25.5	25.9	25.0	25.6	25.4	26.0	26.4
x=8H y=4H	24.2	24.8	24.6	25.2	25.6	24.5	25.2	24.9	25.6	26.0
x=8H y=6H	24.7	25.3	25.2	25.7	26.2	25.1	25.7	25.6	26.1	26.6
x=8H y=8H	24.9	25.4	25.4	25.9	26.3	25.3	25.8	25.8	26.3	26.7
x=8H y=12H	25.0	25.4	25.5	25.9	26.4	25.5	25.9	26.0	26.3	26.8
x=12H y=4H	24.2	24.8	24.6	25.2	25.6	24.5	25.1	25.0	25.5	26.0
x=12H y=6H	24.8	25.3	25.3	25.7	26.2	25.2	25.7	25.7	26.1	26.6
x=12H y=8H	25.0	25.4	25.5	25.9	26.4	25.4	25.8	25.9	26.3	26.8

**Luminaire**

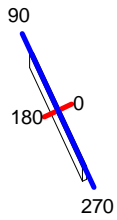
Code TC-0450-GRI  
 Name Colgante ILO leds 28W 3000K

**Measur.**

Code TC-0359-BLA  
 Name Colgante ILO leds 28W 3000K

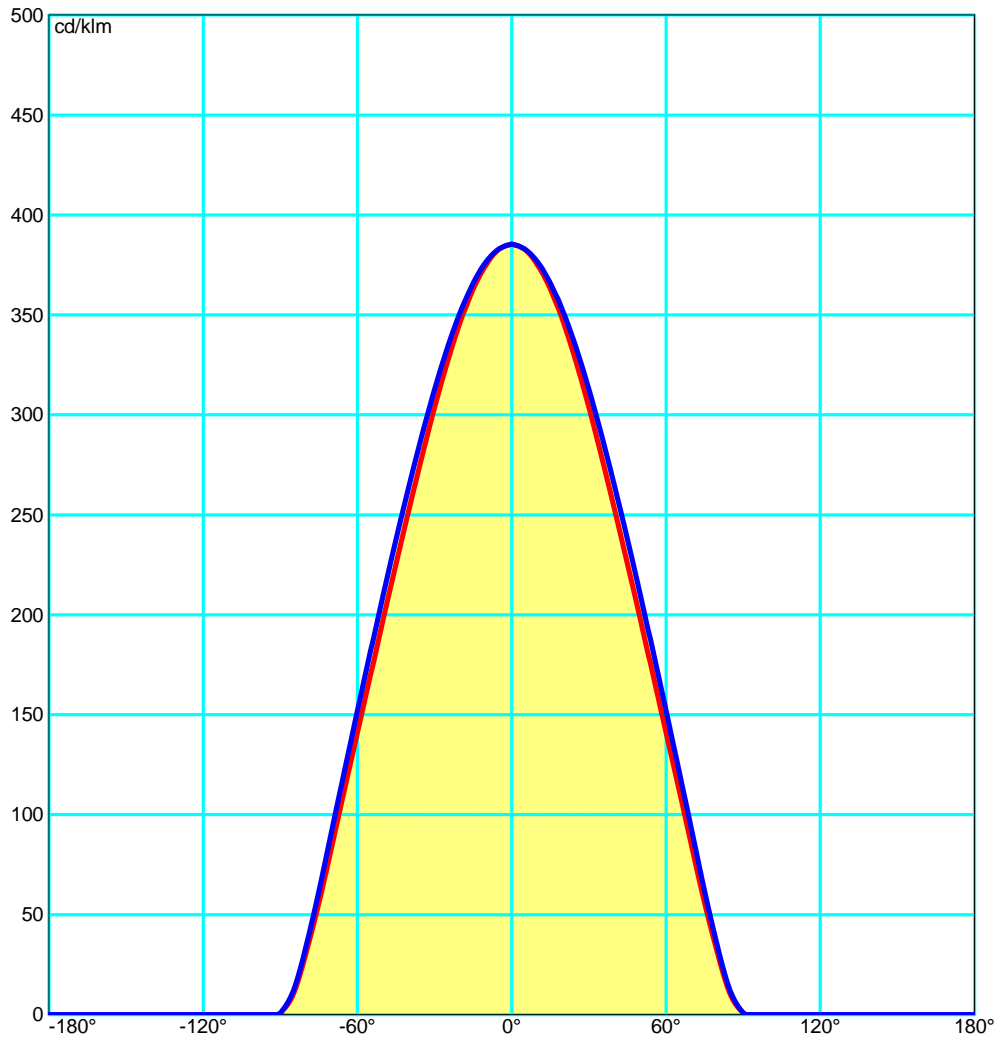
Luminaire Flux	1772.76 lm	Luminaire Power	28.40 W	Efficacy	62.42 lm/W	Efficiency	100.00%
Lamps Flux	1772.76 lm	Maximum value	385.41 cd/klm	Position	C=0.00 G=0.00	CG	Double Symmetrical

1180mm x 42mm



C Halfplanes

180.0 ———— 0.0  
 270.0 ———— 90.0



**Luminaire**

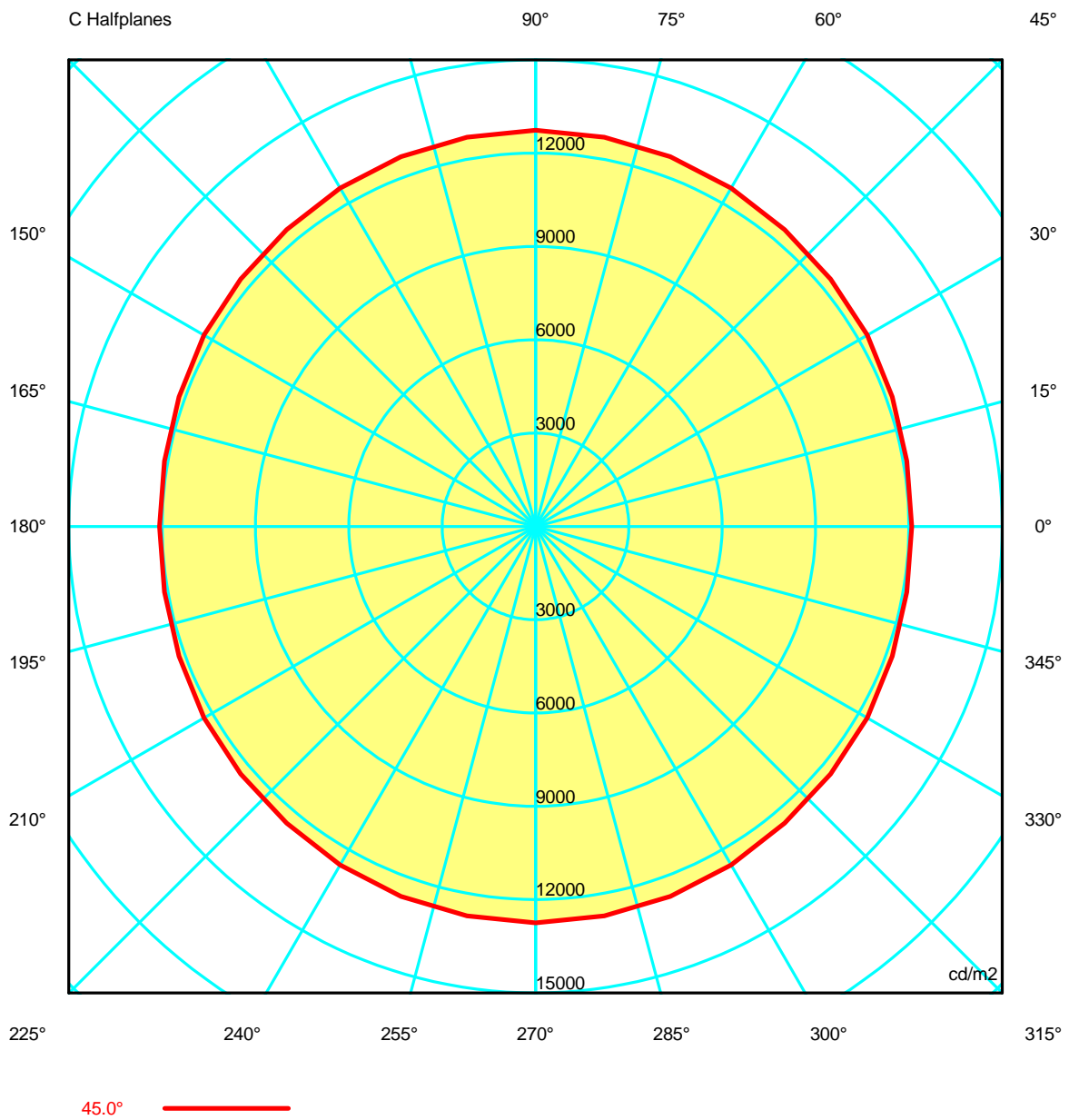
Code TC-0450-GRI  
 Name Colgante ILO leds 28W 3000K

**Measur.**

Code TC-0359-BLA  
 Name Colgante ILO leds 28W 3000K

Luminaire Flux	1772.76 lm	Luminaire Power	28.40 W	Efficacy	62.42 lm/W	Efficiency	100.00%
Lamps Flux	1772.76 lm	Maximum value	385.41 cd/klm	Position	C=0.00 G=0.00	CG	Double Symmetrical

Luminance



**Luminaire**

Code TC-0450-GRI  
 Name Colgante ILO leds 28W 3000K

**Measurment**

Code TC-0359-BLA  
 Name Colgante ILO leds 28W 3000K

Luminaire Flux	1772.76 lm	Luminaire Power	28.40 W	Efficacy	62.42 lm/W	Efficiency	100.00%
Lamps Flux	1772.76 lm	Maximum value	385.41 cd/klm	Position	C=0.00 G=0.00	CG	Double Symmetrical

**Luminance cd/m2 Table 1/3**

	C 0.00	C 10.00	C 20.00	C 30.00	C 40.00	C 50.00	C 60.00	C 70.00	C 80.00	C 90.00	C 100.00	C 110.00	C 120.00
G 0.0	14599.29	14599.29	14599.29	14599.29	14599.29	14599.29	14599.29	14599.29	14599.29	14599.29	14599.29	14599.29	14599.29
G 5.0	14557.35	14556.82	14555.56	14554.48	14557.47	14562.67	14568.08	14572.12	14570.11	14562.21	14570.11	14572.12	14568.08
G 10.0	14426.14	14430.38	14435.46	14442.43	14452.06	14463.55	14474.51	14481.98	14484.51	14485.35	14484.51	14481.98	14474.51
G 15.0	14238.63	14236.22	14244.51	14265.16	14290.33	14310.48	14324.77	14338.75	14347.88	14351.37	14347.88	14338.75	14324.77
G 20.0	13965.22	13969.61	13985.40	14013.39	14045.24	14078.15	14117.48	14164.83	14182.00	14162.83	14182.00	14164.83	14117.48
G 25.0	13641.47	13646.71	13677.61	13728.74	13772.80	13817.06	13866.48	13912.11	13930.95	13937.56	13930.95	13912.11	13866.48
G 30.0	13283.68	13302.01	13330.82	13376.87	13440.33	13510.02	13581.90	13652.68	13684.53	13674.76	13684.53	13652.68	13581.90
G 35.0	12887.35	12920.02	12962.03	13028.82	13127.29	13208.10	13261.97	13320.43	13362.91	13383.26	13362.91	13320.43	13261.97
G 40.0	12492.72	12525.38	12567.53	12636.18	12740.35	12830.14	12914.06	13036.31	13096.18	13068.13	13096.18	13036.31	12914.06
G 45.0	12088.32	12108.85	12193.47	12310.97	12375.09	12452.76	12564.84	12656.54	12713.05	12744.74	12713.05	12656.54	12564.84
G 50.0	11669.58	11686.36	11730.22	11832.39	11942.83	12053.41	12178.13	12321.00	12377.52	12387.75	12377.52	12321.00	12178.13
G 55.0	11186.37	11212.78	11305.86	11452.65	11577.62	11670.93	11756.59	11858.03	11932.21	11968.08	11932.21	11858.03	11756.59
G 60.0	10681.02	10706.35	10767.36	10879.33	11024.97	11142.64	11267.96	11475.43	11571.30	11504.65	11571.30	11475.43	11267.96
G 65.0	10101.96	10122.33	10205.31	10403.57	10563.21	10644.18	10701.79	10819.55	10911.41	10942.58	10911.41	10819.55	10701.79
G 70.0	9309.26	9337.88	9393.91	9501.25	9658.19	9781.21	9920.16	10181.85	10298.35	10195.89	10298.35	10181.85	9920.16
G 75.0	8186.04	8248.47	8413.10	8641.72	8790.63	8851.98	8904.98	9027.16	9089.10	9049.78	9089.10	9027.16	8904.98
G 80.0	6767.80	6831.47	6892.52	6983.12	7133.63	7238.13	7360.34	7638.71	7711.96	7484.18	7711.96	7638.71	7360.34
G 85.0	4425.57	4640.10	4863.85	5093.34	5276.63	5232.25	5061.83	5072.55	5138.91	5162.81	5138.91	5072.55	5061.83
G 90.0	0.00	0.00	0.00	0.00	0.00	0.00	0.00	0.00	0.00	0.00	0.00	0.00	0.00

**Luminaire**

Code TC-0450-GRI  
Name Colgante ILO leds 28W 3000K

**Measurment**

Code TC-0359-BLA  
Name Colgante ILO leds 28W 3000K

Luminaire Flux	1772.76 lm	Luminaire Power	28.40 W	Efficacy	62.42 lm/W	Efficiency	100.00%
Lamps Flux	1772.76 lm	Maximum value	385.41 cd/klm	Position	C=0.00 G=0.00	CG	Double Symmetrical

**Luminance cd/m2 Table 2/3**

	C 130.00	C 140.00	C 150.00	C 160.00	C 170.00	C 180.00	C 190.00	C 200.00	C 210.00	C 220.00	C 230.00	C 240.00	C 250.00
G 0.0	14599.29	14599.29	14599.29	14599.29	14599.29	14599.29	14599.29	14599.29	14599.29	14599.29	14599.29	14599.29	14599.29
G 5.0	14562.67	14557.47	14554.48	14555.56	14556.82	14557.35	14556.82	14555.56	14554.48	14557.47	14562.67	14568.08	14572.12
G 10.0	14463.55	14452.06	14442.43	14435.46	14430.38	14426.14	14430.38	14435.46	14442.43	14452.06	14463.55	14474.51	14481.98
G 15.0	14310.48	14290.33	14265.16	14244.51	14236.22	14238.63	14236.22	14244.51	14265.16	14290.33	14310.48	14324.77	14338.75
G 20.0	14078.15	14045.24	14013.39	13985.40	13969.61	13965.22	13969.61	13985.40	14013.39	14045.24	14078.15	14117.48	14164.83
G 25.0	13817.06	13772.80	13728.74	13677.61	13646.71	13641.47	13646.71	13677.61	13728.74	13772.80	13817.06	13866.48	13912.11
G 30.0	13510.02	13440.33	13376.87	13330.82	13302.01	13283.68	13302.01	13330.82	13376.87	13440.33	13510.02	13581.90	13652.68
G 35.0	13208.10	13127.29	13028.82	12962.03	12920.02	12887.35	12920.02	12962.03	13028.82	13127.29	13208.10	13261.97	13320.43
G 40.0	12830.14	12740.35	12636.18	12567.53	12525.38	12492.72	12525.38	12567.53	12636.18	12740.35	12830.14	12914.06	13036.31
G 45.0	12452.76	12375.09	12310.97	12193.47	12108.85	12088.32	12108.85	12193.47	12310.97	12375.09	12452.76	12564.84	12656.54
G 50.0	12053.41	11942.83	11832.39	11730.22	11686.36	11669.58	11686.36	11730.22	11832.39	11942.83	12053.41	12178.13	12321.00
G 55.0	11670.93	11577.62	11452.65	11305.86	11212.78	11186.37	11212.78	11305.86	11452.65	11577.62	11670.93	11756.59	11858.03
G 60.0	11142.64	11024.97	10879.33	10767.36	10706.35	10681.02	10706.35	10767.36	10879.33	11024.97	11142.64	11267.96	11475.43
G 65.0	10644.18	10563.21	10403.57	10205.31	10122.33	10101.96	10122.33	10205.31	10403.57	10563.21	10644.18	10701.79	10819.55
G 70.0	9781.21	9658.19	9501.25	9393.91	9337.88	9309.26	9337.88	9393.91	9501.25	9658.19	9781.21	9920.16	10181.85
G 75.0	8851.98	8790.63	8641.72	8413.10	8248.47	8186.04	8248.47	8413.10	8641.72	8790.63	8851.98	8904.98	9027.16
G 80.0	7238.13	7133.63	6983.12	6892.52	6831.47	6767.80	6831.47	6892.52	6983.12	7133.63	7238.13	7360.34	7638.71
G 85.0	5232.25	5276.63	5093.34	4863.85	4640.10	4425.57	4640.10	4863.85	5093.34	5276.63	5232.25	5061.83	5072.55
G 90.0	0.00	0.00	0.00	0.00	0.00	0.00	0.00	0.00	0.00	0.00	0.00	0.00	0.00

**Luminaire**

Code TC-0450-GRI  
Name Colgante ILO leds 28W 3000K

**Measur.**

Code TC-0359-BLA  
Name Colgante ILO leds 28W 3000K

Luminaire Flux	1772.76 lm	Luminaire Power	28.40 W	Efficacy	62.42 lm/W	Efficiency	100.00%
Lamps Flux	1772.76 lm	Maximum value	385.41 cd/klm	Position	C=0.00 G=0.00	CG	Double Symmetrical

**Luminance cd/m2 Table 3/3**

	C 260.00	C 270.00	C 280.00	C 290.00	C 300.00	C 310.00	C 320.00	C 330.00	C 340.00	C 350.00
G 0.0	14599.29	14599.29	14599.29	14599.29	14599.29	14599.29	14599.29	14599.29	14599.29	14599.29
G 5.0	14570.11	14562.21	14570.11	14572.12	14568.08	14562.67	14557.47	14554.48	14555.56	14556.82
G 10.0	14484.51	14485.35	14484.51	14481.98	14474.51	14463.55	14452.06	14442.43	14435.46	14430.38
G 15.0	14347.88	14351.37	14347.88	14338.75	14324.77	14310.48	14290.33	14265.16	14244.51	14236.22
G 20.0	14182.00	14162.83	14182.00	14164.83	14117.48	14078.15	14045.24	14013.39	13985.40	13969.61
G 25.0	13930.95	13937.56	13930.95	13912.11	13866.48	13817.06	13772.80	13728.74	13677.61	13646.71
G 30.0	13684.53	13674.76	13684.53	13652.68	13581.90	13510.02	13440.33	13376.87	13330.82	13302.01
G 35.0	13362.91	13383.26	13362.91	13320.43	13261.97	13208.10	13127.29	13028.82	12962.03	12920.02
G 40.0	13096.18	13068.13	13096.18	13036.31	12914.06	12830.14	12740.35	12636.18	12567.53	12525.38
G 45.0	12713.05	12744.74	12713.05	12656.54	12564.84	12452.76	12375.09	12310.97	12193.47	12108.85
G 50.0	12377.52	12387.75	12377.52	12321.00	12178.13	12053.41	11942.83	11832.39	11730.22	11686.36
G 55.0	11932.21	11968.08	11932.21	11858.03	11756.59	11670.93	11577.62	11452.65	11305.86	11212.78
G 60.0	11571.30	11504.65	11571.30	11475.43	11267.96	11142.64	11024.97	10879.33	10767.36	10706.35
G 65.0	10911.41	10942.58	10911.41	10819.55	10701.79	10644.18	10563.21	10403.57	10205.31	10122.33
G 70.0	10298.35	10195.89	10298.35	10181.85	9920.16	9781.21	9658.19	9501.25	9393.91	9337.88
G 75.0	9089.10	9049.78	9089.10	9027.16	8904.98	8851.98	8790.63	8641.72	8413.10	8248.47
G 80.0	7711.96	7484.18	7711.96	7638.71	7360.34	7238.13	7133.63	6983.12	6892.52	6831.47
G 85.0	5138.91	5162.81	5138.91	5072.55	5061.83	5232.25	5276.63	5093.34	4863.85	4640.10
G 90.0	0.00	0.00	0.00	0.00	0.00	0.00	0.00	0.00	0.00	0.00

**Luminaire**

Code TC-0450-GRI  
 Name Colgante ILO leds 28W 3000K

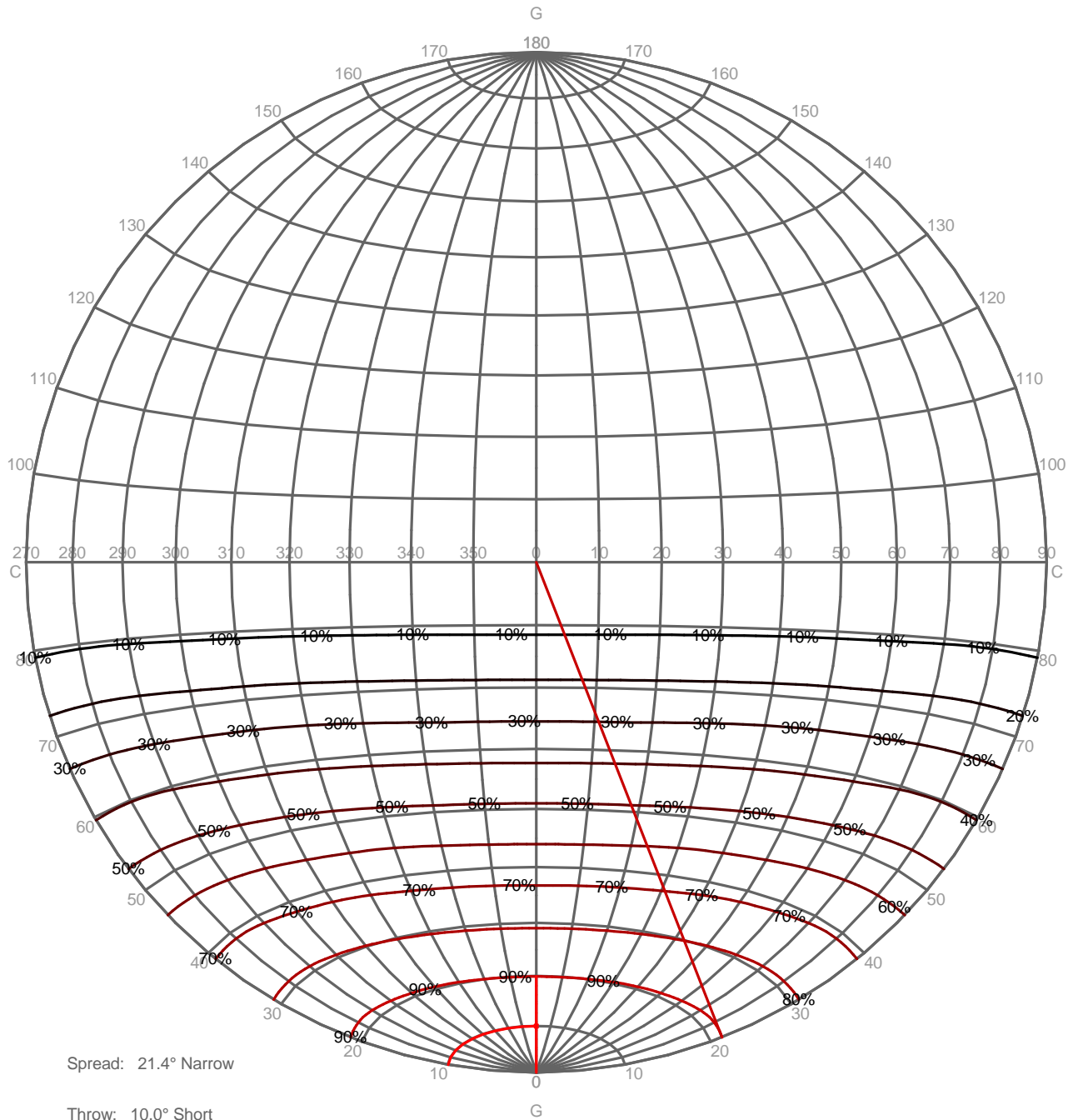
**Measurement**

Code TC-0359-BLA  
 Name Colgante ILO leds 28W 3000K

Luminaire Flux	1772.76 lm	Luminaire Power	28.40 W	Efficacy	62.42 lm/W	Efficiency	100.00%
Lamps Flux	1772.76 lm	Maximum value	385.41 cd/klm	Position	C=0.00 G=0.00	CG	Double Symmetrical

**PERCENTAGE ISOCANDLES**

Projection: SLI 6.8 Tight Tilting Angle:0°



**Luminaire**

Code TC-0450-GRI  
 Name Colgante ILO leds 28W 3000K

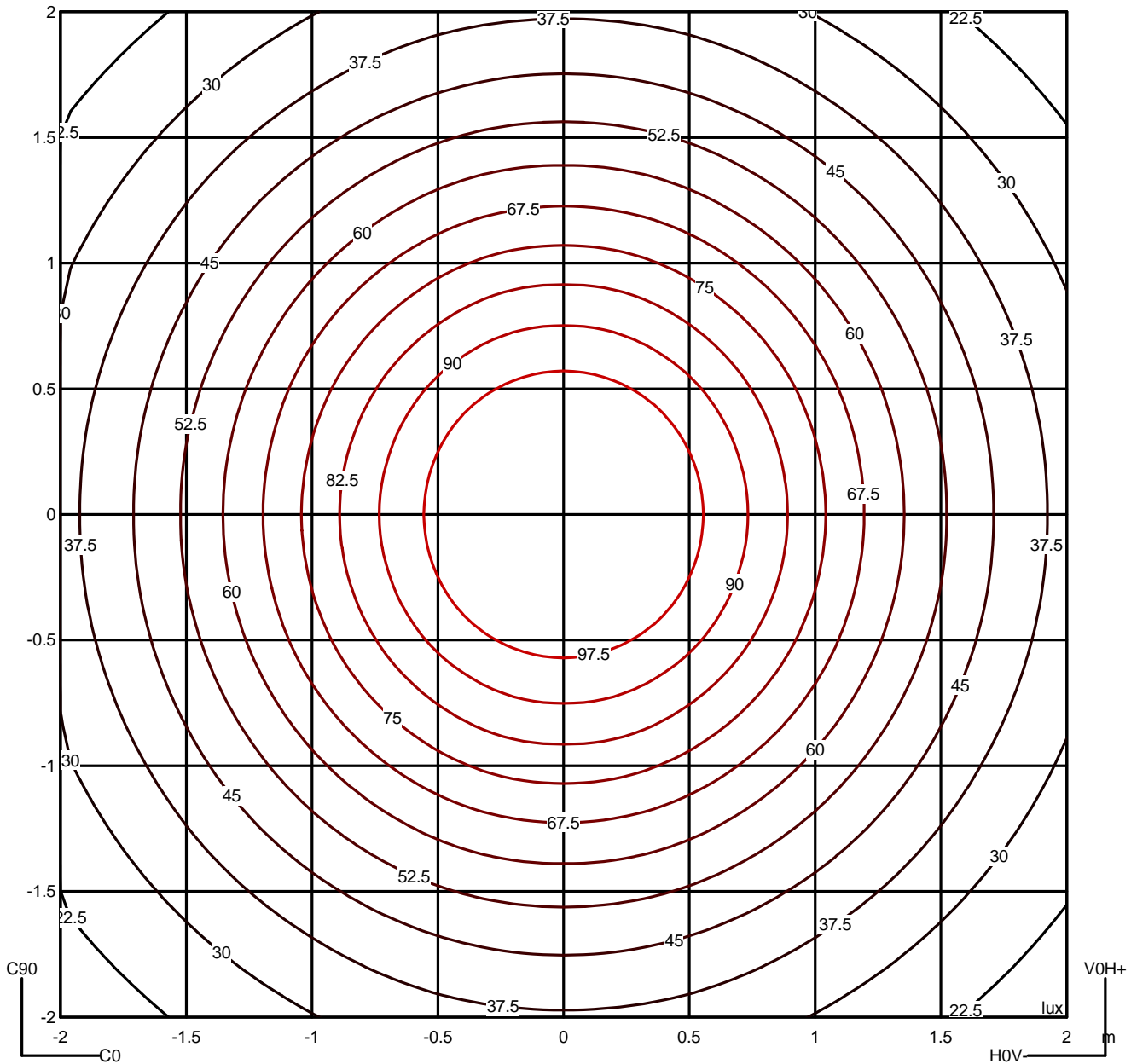
**Measur.**

Code TC-0359-BLA  
 Name Colgante ILO leds 28W 3000K

Luminaire Flux	1772.76 lm	Luminaire Power	28.40 W	Efficacy	62.42 lm/W	Efficiency	100.00%
Lamps Flux	1772.76 lm	Maximum value	385.41 cd/klm	Position	C=0.00 G=0.00	CG	Double Symmetrical

Isolux (Floor)

Luminaire position X=0.00m Y=0.00m Z=2.50m



**Luminaire**

Code TC-0450-GRI  
 Name Colgante ILO leds 28W 3000K

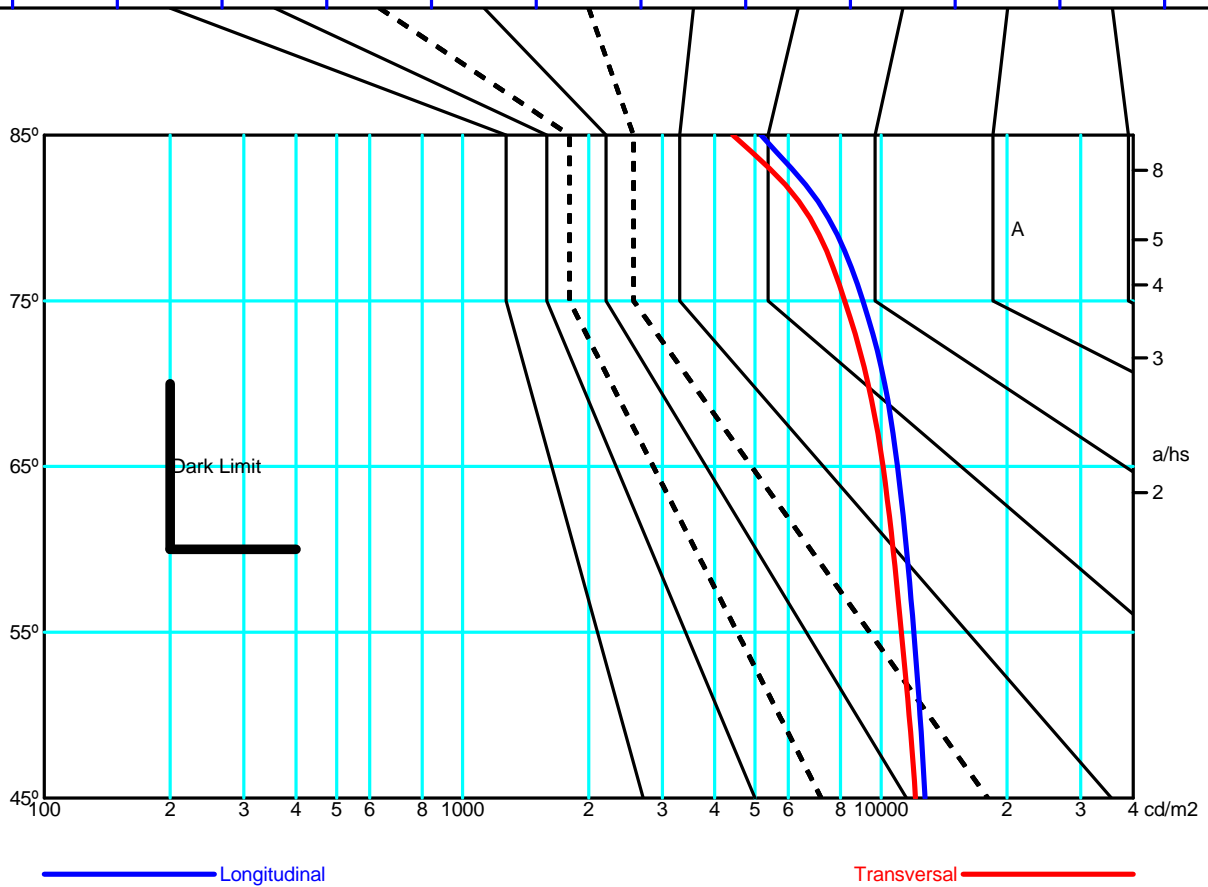
**Measur.**

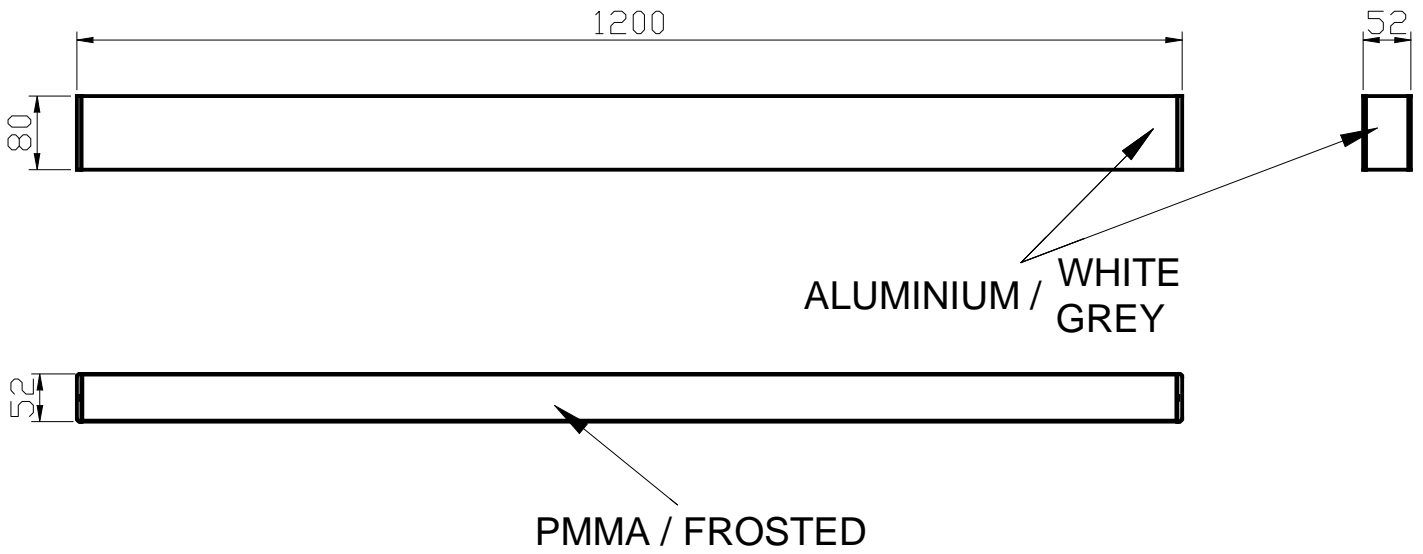
Code TC-0359-BLA  
 Name Colgante ILO leds 28W 3000K

Luminaire Flux	1772.76 lm	Luminaire Power	28.40 W	Efficacy	62.42 lm/W	Efficiency	100.00%
Lamps Flux	1772.76 lm	Maximum value	385.41 cd/klm	Position	C=0.00 G=0.00	CG	Double Symmetrical

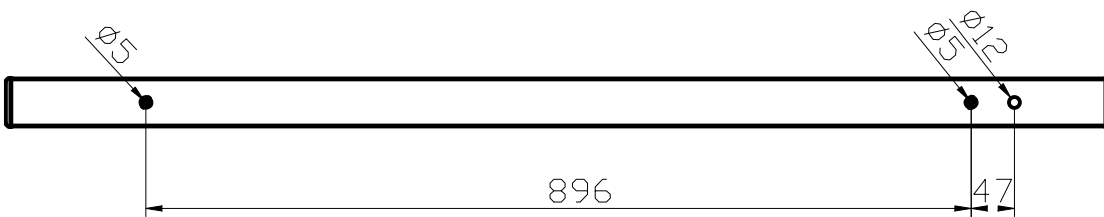
		Average Luminance [cd/m <sup>2</sup> ]									
		45°	50°	55°	60°	65°	70°	75°	80°	85°	
0.0°	12088	11670	11186	10681	10102	9309	8186	6768	4426	---	
90.0°	12745	12388	11968	11505	10943	10196	9050	7484	5163	---	

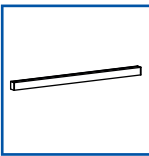
Flush mounted or longitudinal view												
		Illumination(Ix)										
A	A	2000	1000	750	500		<300					1.15
B	1		2000	1500	1000	750	500	<300				1.5
C					2000		1000	500	<300			1.85
D	2						2000	1000	500	<300		2.2
E	3							2000	1000	500	<300	2.55





*Installation template*

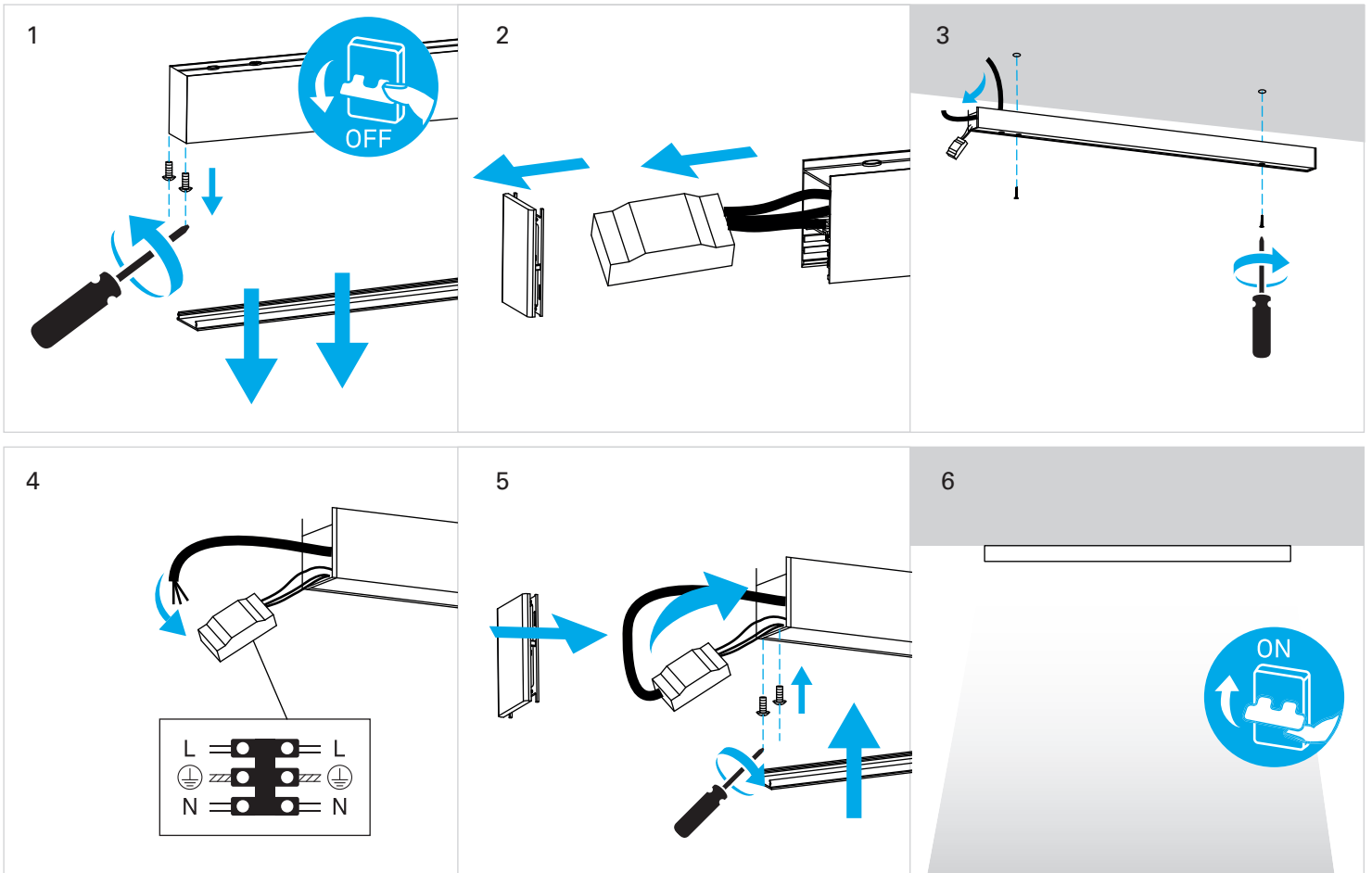
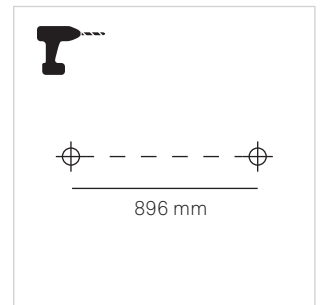


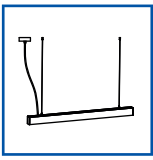


Illo

TC-0450 TC-0451 TC-0452 TC-0453 TC-0454

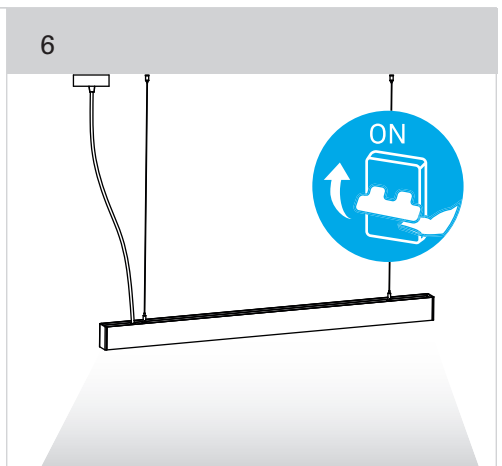
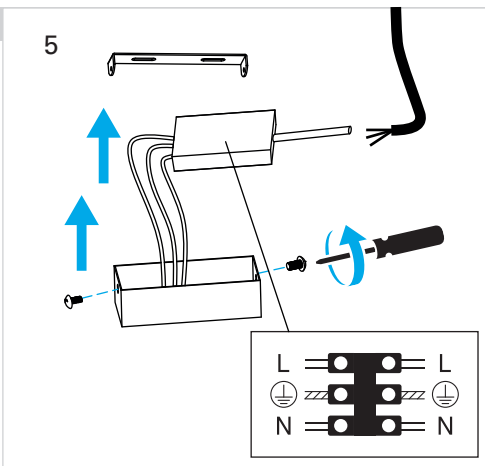
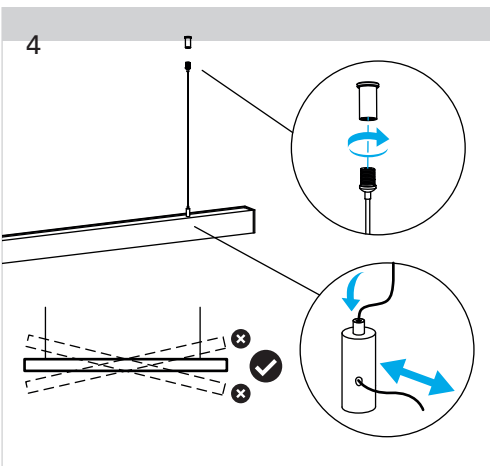
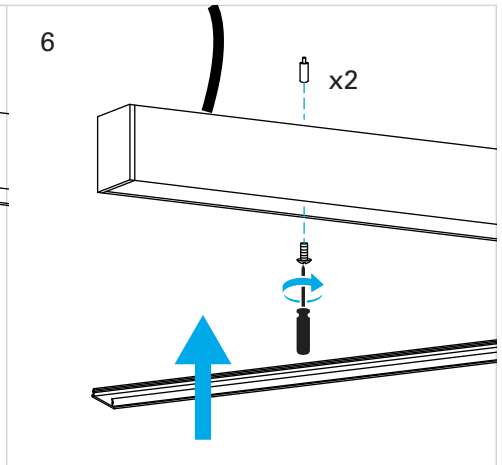
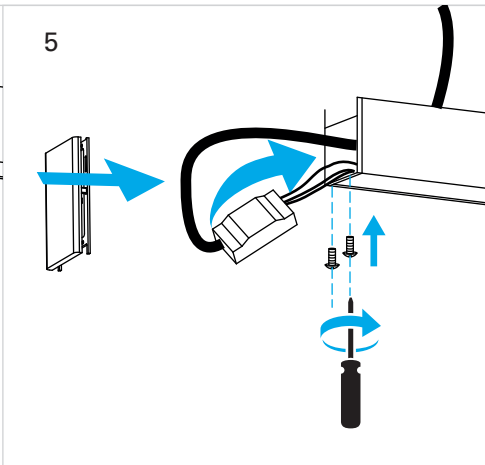
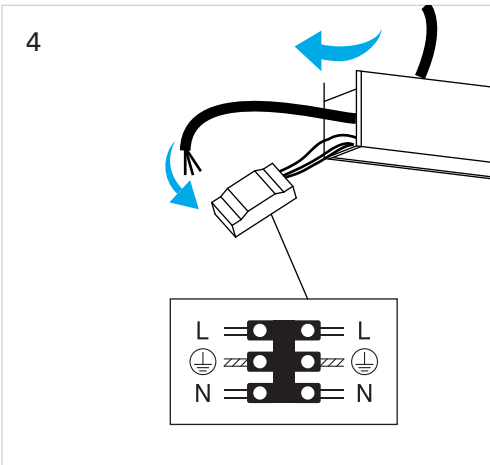
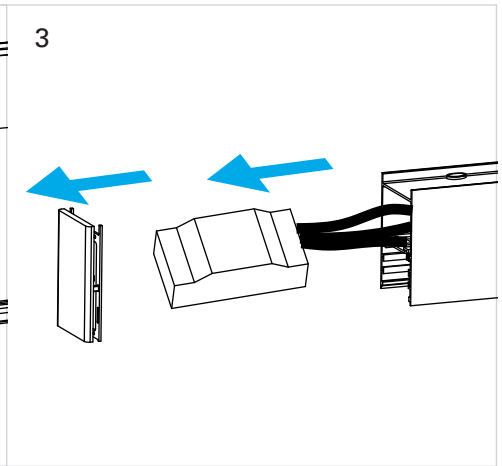
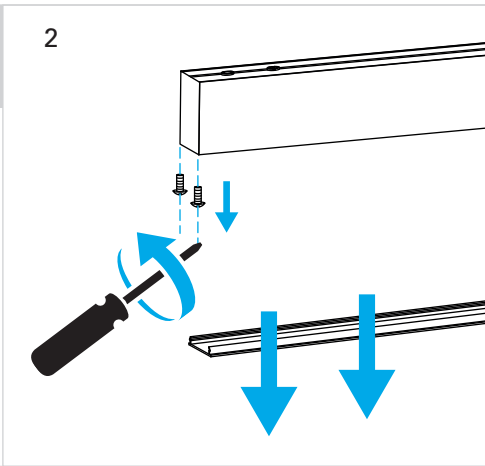
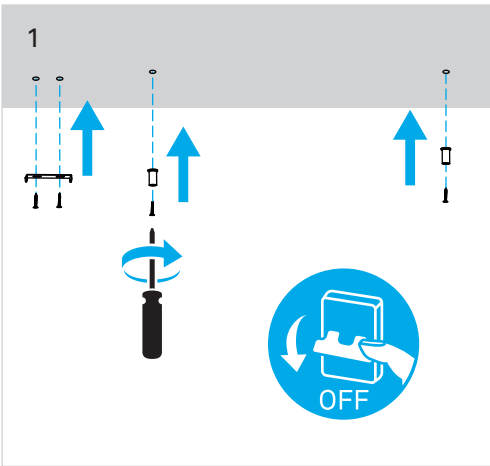
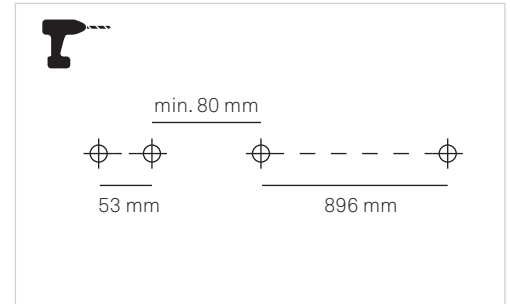
FOR  
LIGHT

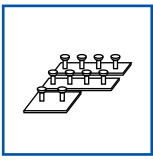




NOT INCLUDED

TC-0452  
TC-0453





NOT INCLUDED

TC-0454

