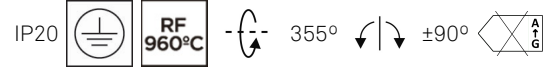
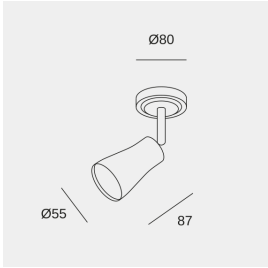


DE-0225-MAR

Spotlights series Safran Single GU10 8W Brown

TECHNICAL FEATURES



Luminaire total power : 8W

Structure material : Steel

Structure finish : Brown

Max. size of light bulb : 54/50 mm

Recommended light bulb : GU10

Voltage / frequency : 100-240V ~ 50/60Hz

Warranty : 5 Years

Easily recyclable luminaire

LUMINOTECHNIC FEATURES

Lampholder	Quantity	Light source power (W)	Correlated Colour Temperature (CCT)
GU10	1	Max. power 8W	-

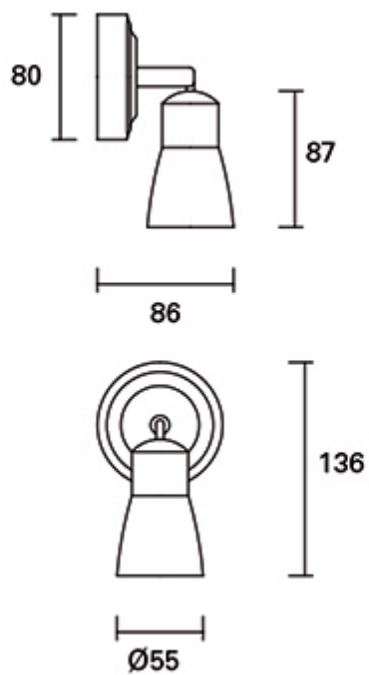
LOGISTICS

Net weight (kg): 0.16

Packaged weight (kg): 0.23

Packaging: 90mm x 89mm x 140mm





Luminaria

Código DE-0225-MRO

Nombre LR16

Ensayo

Código DE-0225-MRO

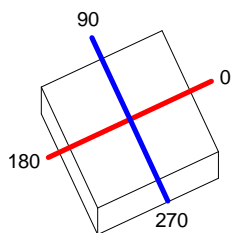
Nombre LR16

Flujo Luminaria	549.58 lm	Potencia luminaria	6.40 W	Eficiencia	85.87 lm/W	Rendimiento	100.00%
Flujo de Lámpara	549.58 lm	Valor Máximo	1753.57 cd/klm	Posición	C=270.00 G=3.00	CG	Asimétrico
Luminaria Rectangular		Longit.	50 mm	Anchura	50 mm	Altura	55 mm
Área Luminosa Rectangular		Longit.	50 mm	Anchura	50 mm	Altura	55 mm
Área Luminosa Horizontal		0.002500 m2		Área Emisión sobre Pl. 180°		0.002750 m2	
Área Emisión sobre Pl. 0°		0.002750 m2		Área Emisión sobre Pl. 270°		0.002750 m2	
Área Emisión sobre Pl. 90°		0.002750 m2		Área de deslumbramiento a 76°		0.003273 m2	
Sist. de Coorden.		CG		Tipo de Simetría		Asimétrico	
Fecha		08-06-2016		Máximo Ángulo Gamma		90	
Distancia de Ensayo		0.00		Flujo de Ensayo		549.58 lm	
Operador				Tensión de alimentación [V]			
Temperatura		25.00 °C		Corriente de alimentación [A]			
Humedad		60.00 %		Fotocélula			
Notas							

Lámparas de la Luminaria

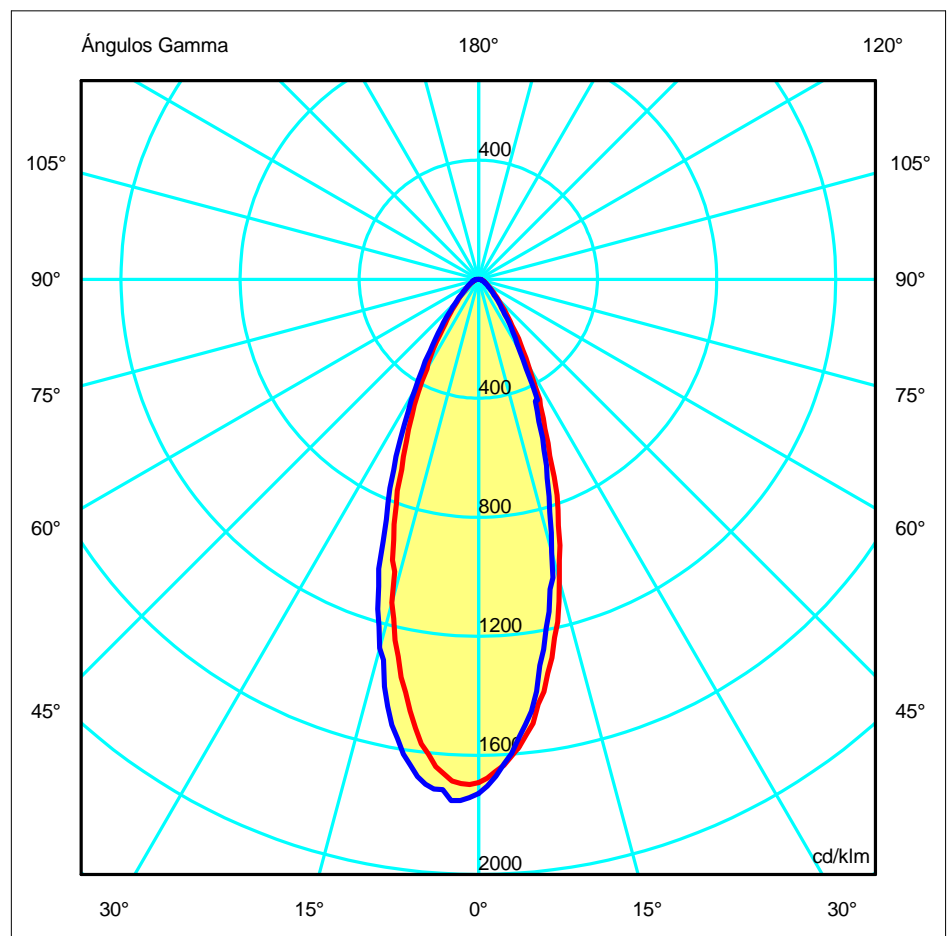
Familia	Código	Nombre	Flujo [lm]	Pot. [W]	Cant.
	AOT3030	AOT3030 - 6.40 W	549.58	6.40	1
C.I.E.	86 95 99 100 100	D DIN 5040	A60		
F UTE	1.00 A	B NBN	BZ 1		

50mm x 50mm



Semiplanos C

 180.0 — 0.0
 270.0 — 90.0

 ULOR 0.00 %
 DLOR 100.00 %
 RN 0.00 %


Luminaria

Código DE-0225-MRO

Nombre LR16

Ensayo

Código DE-0225-MRO

Nombre LR16

Flujo Luminaria	549.58 lm	Potencia luminaria	6.40 W	Eficiencia	85.87 lm/W	Rendimiento	100.00%
Flujo de Lámpara	549.58 lm	Valor Máximo	1753.57 cd/klm	Posición	C=270.00 G=3.00	CG	Asimétrico

Tabla de Intensidad Luminosa cd/klm Tabla 1/2

	C 0.00	C 90.00	C 180.00	C 270.00
G 0.0	1690.96	1727.73	1690.96	1727.73
G 1.0	1675.89	1702.76	1697.25	1741.52
G 2.0	1654.09	1670.89	1695.35	1752.71
G 3.0	1634.80	1631.27	1687.77	1753.57
G 4.0	1604.23	1596.82	1666.24	1718.95
G 5.0	1577.01	1546.86	1643.41	1718.95
G 6.0	1537.82	1504.66	1605.26	1705.86
G 7.0	1503.71	1461.60	1572.10	1683.21
G 8.0	1441.27	1397.86	1523.18	1647.20
G 9.0	1402.25	1313.46	1468.23	1614.91
G 10.0	1343.17	1262.64	1409.06	1566.93
G 11.0	1295.20	1193.74	1362.03	1525.42
G 12.0	1230.26	1141.20	1295.20	1466.59
G 13.0	1181.25	1068.85	1244.73	1404.41
G 14.0	1115.53	1033.54	1175.74	1318.37
G 15.0	1049.56	949.99	1124.32	1283.23
G 16.0	983.07	885.40	1021.22	1212.69
G 17.0	934.32	817.36	986.51	1158.43
G 18.0	869.38	767.40	919.51	1084.44
G 19.0	820.37	707.11	870.24	1028.80
G 20.0	771.71	666.63	805.82	936.56
G 21.0	710.56	613.23	760.94	864.13
G 22.0	638.90	576.20	688.94	811.67
G 23.0	598.85	518.49	647.00	761.72
G 24.0	549.50	484.04	594.11	700.57
G 25.0	515.74	451.31	556.39	656.47
G 26.0	473.28	451.31	508.67	600.66
G 27.0	452.86	401.10	474.22	548.47
G 28.0	404.29	341.76	431.33	500.15
G 29.0	367.68	308.86	391.28	466.30
G 30.0	333.66	279.32	346.32	423.15
G 31.0	309.55	252.18	329.87	392.66
G 32.0	280.18	234.01	298.86	355.28
G 33.0	259.68	211.88	277.33	329.01
G 34.0	240.64	196.80	250.81	289.39
G 35.0	217.13	182.51	226.95	268.03
G 36.0	191.81	164.94	205.16	242.45
G 37.0	178.11	145.47	186.04	224.62
G 38.0	161.32	134.88	172.08	202.32
G 39.0	149.78	122.22	160.54	186.98
G 40.0	135.65	113.69	144.87	167.95
G 41.0	125.83	103.61	135.31	151.16
G 42.0	111.36	98.96	122.04	136.43
G 43.0	103.61	88.37	111.97	126.44
G 44.0	94.31	80.87	101.72	114.46
G 45.0	88.19	74.24	94.74	106.37
G 46.0	80.79	69.68	87.25	96.64
G 47.0	75.71	63.91	81.48	90.00
G 48.0	69.51	60.03	74.07	80.27
G 49.0	64.08	55.12	69.94	75.10
G 50.0	59.08	51.85	63.39	68.73
G 51.0	55.47	47.11	59.60	64.34
G 52.0	51.42	44.53	54.78	59.26
G 53.0	48.49	41.43	51.50	55.55
G 54.0	44.96	39.27	48.84	51.42
G 55.0	42.55	36.60	45.73	47.80
G 56.0	39.02	34.97	41.94	44.61
G 57.0	37.21	32.13	39.53	42.55
G 58.0	34.80	30.58	36.78	39.88
G 59.0	33.16	28.51	34.28	38.07
G 60.0	31.09	27.13	32.64	35.74
G 61.0	29.63	25.49	31.26	34.19
G 62.0	27.82	24.37	29.63	31.35
G 63.0	26.27	23.08	28.42	30.49
G 64.0	24.72	21.88	26.27	28.85
G 65.0	23.77	20.84	25.06	27.73
G 66.0	22.48	20.07	23.77	26.27
G 67.0	21.70	19.03	22.82	25.32
G 68.0	20.84	18.26	21.53	23.69
G 69.0	19.81	17.31	20.58	22.57
G 70.0	18.69	16.62	19.21	21.70
G 71.0	18.00	15.50	18.34	20.93
G 72.0	17.14	14.81	17.23	19.90

Luminaria

Código DE-0225-MRO

Nombre LR16

Ensayo

Código DE-0225-MRO

Nombre LR16

Flujo Luminaria	549.58 lm	Potencia luminaria	6.40 W	Eficiencia	85.87 lm/W	Rendimiento	100.00%
Flujo de Lámpara	549.58 lm	Valor Máximo	1753.57 cd/klm	Posición	C=270.00 G=3.00	CG	Asimétrico

Tabla de Intensidad Luminosa cd/klm Tabla 2/2

	C 0.00	C 90.00	C 180.00	C 270.00
G 73.0	16.37	13.87	16.54	19.12
G 74.0	15.68	13.26	15.42	18.09
G 75.0	15.24	12.49	14.73	17.05
G 76.0	13.95	11.89	13.69	16.11
G 77.0	13.35	11.02	12.83	15.42
G 78.0	12.40	10.16	11.63	14.47
G 79.0	11.89	9.39	11.20	13.78
G 80.0	11.02	8.70	10.25	12.83
G 81.0	10.42	7.92	9.47	12.06
G 82.0	9.73	7.15	8.61	10.94
G 83.0	8.87	6.37	7.67	10.34
G 84.0	8.10	5.60	6.89	9.73
G 85.0	7.49	4.91	6.20	8.78
G 86.0	6.54	4.39	5.43	8.01
G 87.0	6.03	4.22	4.74	7.23
G 88.0	5.25	4.13	4.31	6.46
G 89.0	4.65	4.13	4.22	5.68
G 90.0	4.05	4.13	4.22	5.34

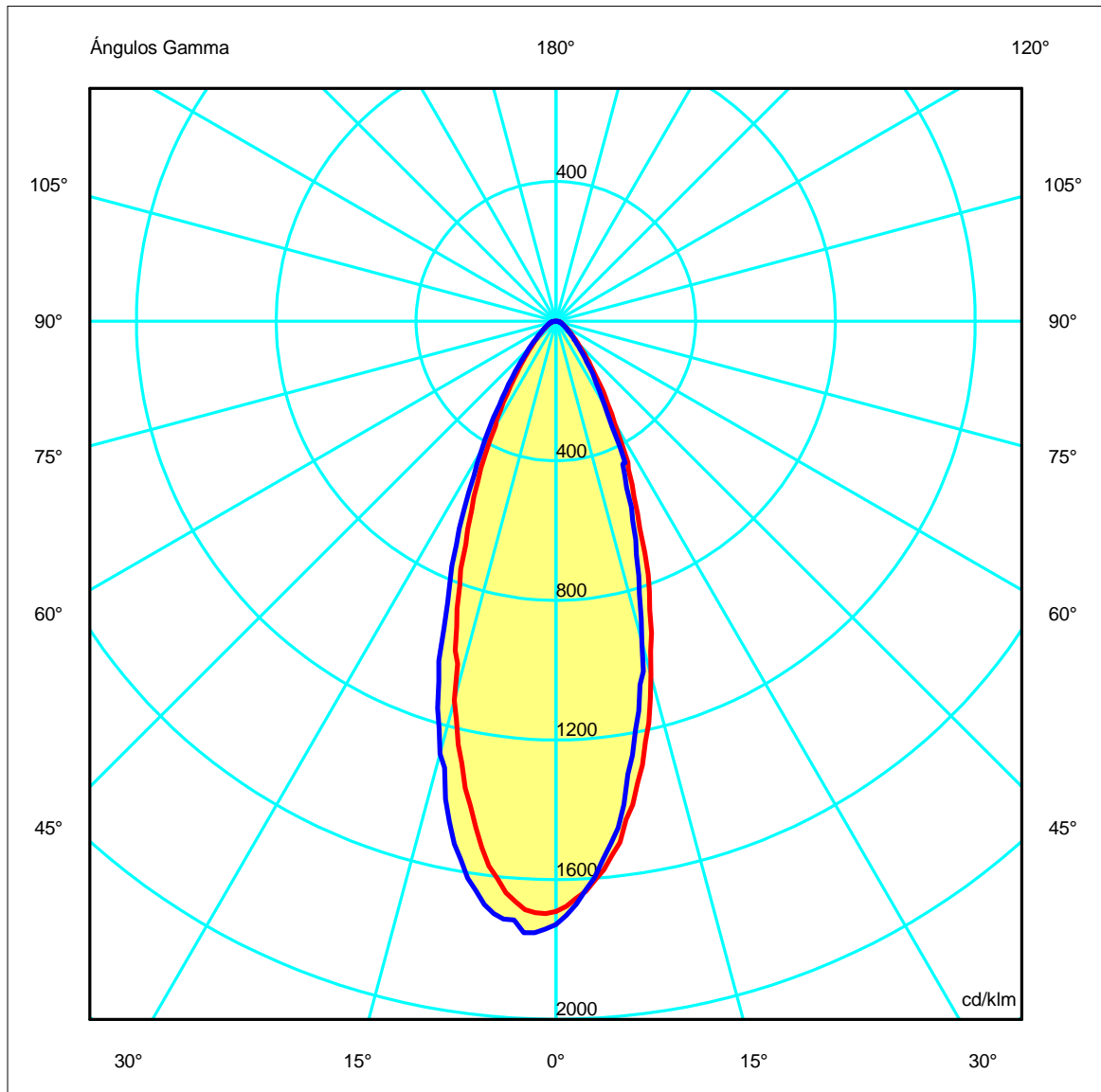
Luminaria
 Código DE-0225-MRO
 Nombre LR16
Ensayo
 Código DE-0225-MRO
 Nombre LR16

Flujo Luminaria	549.58 lm	Potencia luminaria	6.40 W	Eficiencia	85.87 lm/W	Rendimiento	100.00%
Flujo de Lámpara	549.58 lm	Valor Máximo	1753.57 cd/klm	Posición	C=270.00 G=3.00	CG	Asimétrico

50mm x 50mm

Semiplanos C

180.0 ——— 0.0
 270.0 ——— 90.0



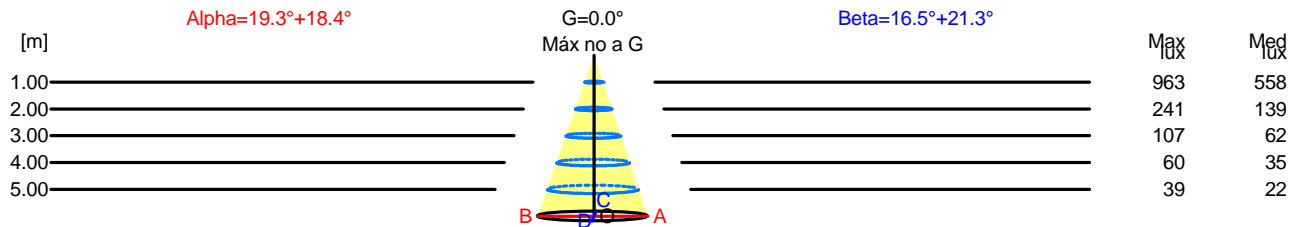
Luminaria
 Código DE-0225-MRO
 Nombre LR16
Ensayo
 Código DE-0225-MRO
 Nombre LR16

Flujo Luminaria	549.58 lm	Potencia luminaria	6.40 W	Eficiencia	85.87 lm/W	Rendimiento	100.00%
Flujo de Lámpara	549.58 lm	Valor Máximo	1753.57 cd/klm	Posición	C=270.00 G=3.00	CG	Asimétrico

Apertura a 50.00 % de Max Intensidad

H[m]	1.00	2.00	3.00	4.00	5.00	H[m]	1.00	2.00	3.00	4.00	5.00
OA	0.33	0.67	1.00	1.33	1.67	OC	0.30	0.59	0.89	1.19	1.48
OB	0.35	0.70	1.05	1.40	1.75	OD	0.39	0.78	1.17	1.56	1.95

	Intensidades Luminosas [cd/klm]									
	0	5	15	25	35	45	55	65	75	85
OA	929.32	866.69	576.82	283.44	119.33	48.47	23.38	13.06	8.38	4.12
OB	929.32	903.19	617.90	305.78	124.73	52.07	25.13	13.77	8.09	3.41
OC	949.53	850.13	522.10	248.03	100.30	40.80	20.12	11.46	6.86	2.70
OD	949.53	944.70	705.23	360.78	147.30	58.46	26.27	15.24	9.37	4.83



H[m]	D[m]	Max lux	Med lux	Alpha=19.3°+18.4°	G=0.0 Máx no a G	
1.00	0.68	963	558			
2.00	1.37	241	139			
3.00	2.05	107	62			
4.00	2.74	60	35			
5.00	3.42	39	22			

H[m]	D[m]	Max lux	Med lux	Beta=21.3°+16.5°	G=0.0 Máx no a G	
1.00	0.69	963	558			
2.00	1.37	241	139			
3.00	2.06	107	62			
4.00	2.75	60	35			
5.00	3.43	39	22			

Luminaria

Código DE-0225-MRO

Nombre LR16

Ensayo

Código DE-0225-MRO

Nombre LR16

Flujo Luminaria	549.58 lm	Potencia luminaria	6.40 W	Eficiencia	85.87 lm/W	Rendimiento	100.00%
Flujo de Lámpara	549.58 lm	Valor Máximo	1753.57 cd/klm	Posición	C=270.00 G=3.00	CG	Asimétrico

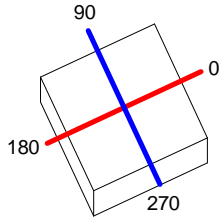
UGR
S = 0.250

Reflectancias										
Ceiling/Cavity	0.7	0.7	0.5	0.5	0.3	0.7	0.7	0.5	0.5	0.3
Walls	0.5	0.3	0.5	0.3	0.3	0.5	0.3	0.5	0.3	0.3
WorkingPlane	0.2	0.2	0.2	0.2	0.2	0.2	0.2	0.2	0.2	0.2
RoomDimensions	ViewedCrosswise					ViewedEndwise				
x=2H y=2H	16.4	17.2	16.6	17.4	18.4	17.1	18.0	17.4	18.2	18.4
x=2H y=3H	16.7	17.5	17.0	17.7	18.7	17.5	18.2	17.8	18.5	18.7
x=2H y=4H	16.9	17.6	17.2	17.9	18.9	17.7	18.4	18.0	18.6	18.9
x=2H y=6H	17.0	17.7	17.3	18.0	19.1	17.8	18.5	18.2	18.8	19.1
x=2H y=8H	17.1	17.7	17.4	18.0	19.1	17.9	18.5	18.2	18.8	19.1
x=2H y=12H	17.1	17.7	17.4	18.0	19.2	17.9	18.5	18.3	18.8	19.2
x=4H y=2H	16.4	17.2	16.8	17.4	18.4	17.2	17.9	17.5	18.2	18.4
x=4H y=3H	16.9	17.5	17.3	17.8	18.9	17.7	18.3	18.0	18.6	18.9
x=4H y=4H	17.2	17.7	17.6	18.0	19.2	18.0	18.5	18.3	18.8	19.2
x=4H y=6H	17.4	17.8	17.8	18.2	19.4	18.2	18.7	18.6	19.0	19.4
x=4H y=8H	17.5	17.9	17.9	18.3	19.5	18.3	18.7	18.7	19.1	19.5
x=4H y=12H	17.5	17.9	18.0	18.3	19.6	18.4	18.8	18.9	19.2	19.6
x=8H y=4H	17.3	17.6	17.7	18.0	19.2	18.0	18.4	18.4	18.8	19.2
x=8H y=6H	17.5	17.8	18.0	18.3	19.5	18.4	18.7	18.8	19.1	19.5
x=8H y=8H	17.6	17.9	18.1	18.4	19.7	18.5	18.8	19.0	19.2	19.7
x=8H y=12H	17.7	17.9	18.2	18.4	19.8	18.7	18.9	19.2	19.3	19.8
x=12H y=4H	17.2	17.6	17.7	18.0	19.2	18.0	18.4	18.4	18.8	19.2
x=12H y=6H	17.5	17.8	18.0	18.2	19.5	18.4	18.6	18.8	19.1	19.5
x=12H y=8H	17.7	17.9	18.2	18.3	19.7	18.5	18.8	19.0	19.2	19.7

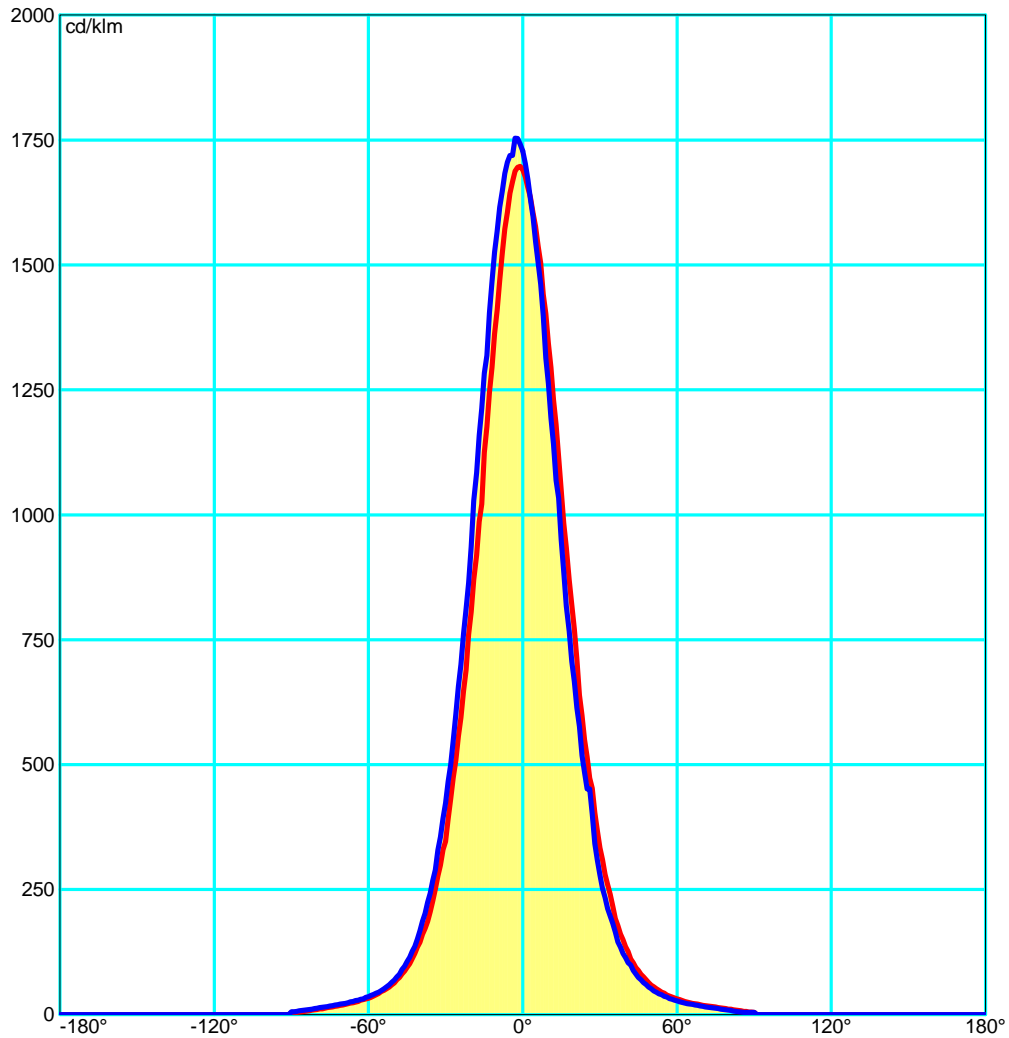
Luminaria
 Código DE-0225-MRO
 Nombre LR16
Ensayo
 Código DE-0225-MRO
 Nombre LR16

Flujo Luminaria	549.58 lm	Potencia luminaria	6.40 W	Eficiencia	85.87 lm/W	Rendimiento	100.00%
Flujo de Lámpara	549.58 lm	Valor Máximo	1753.57 cd/klm	Posición	C=270.00 G=3.00	CG	Asimétrico

50mm x 50mm



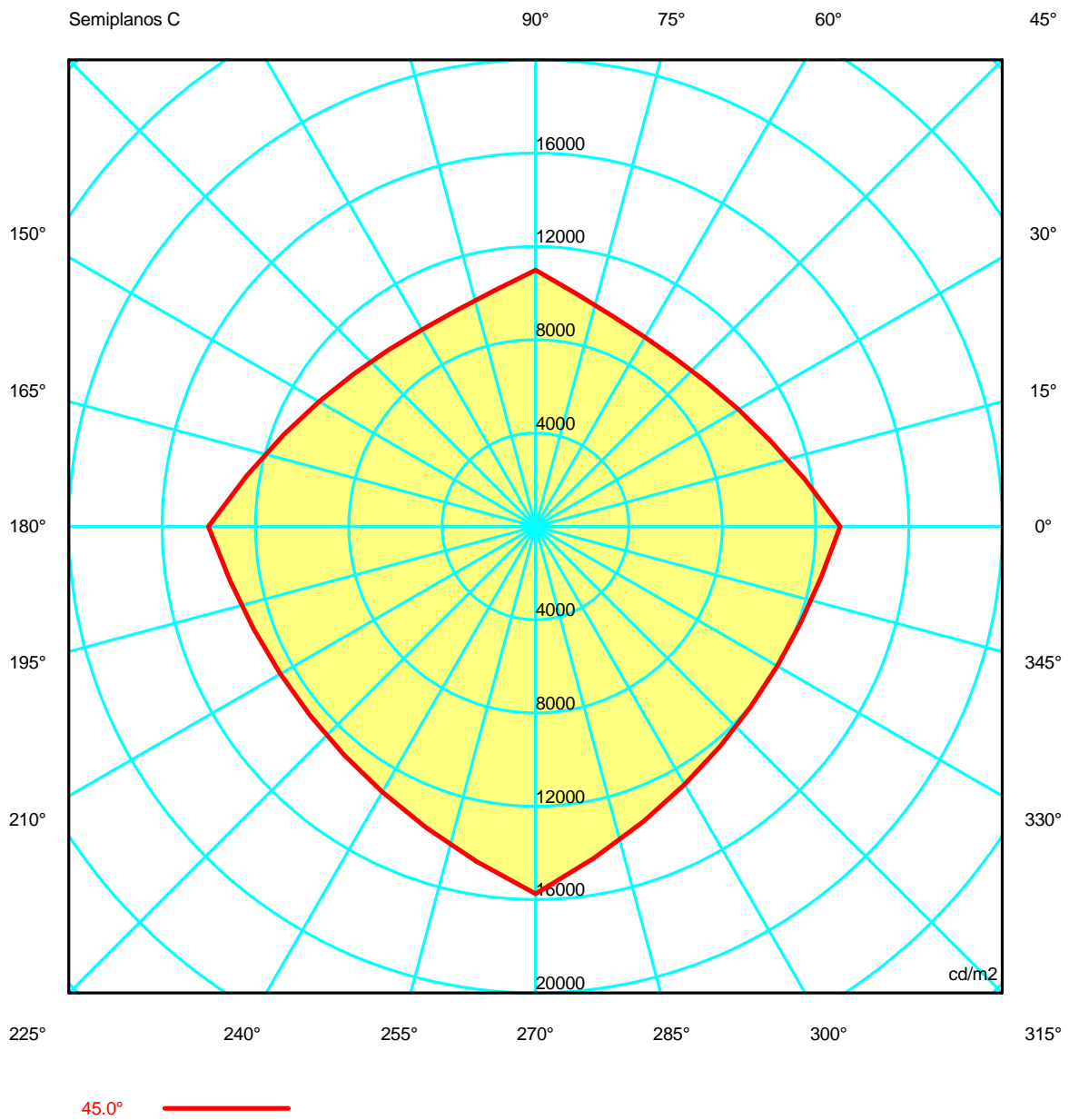
Semiplanos C
 180.0 ———— 0.0
 270.0 ———— 90.0



Luminaria
 Código DE-0225-MRO
 Nombre LR16
Ensayo
 Código DE-0225-MRO
 Nombre LR16

Flujo Luminaria	549.58 lm	Potencia luminaria	6.40 W	Eficiencia	85.87 lm/W	Rendimiento	100.00%
Flujo de Lámpara	549.58 lm	Valor Máximo	1753.57 cd/klm	Posición	C=270.00 G=3.00	CG	Asimétrico

Luminancia





Luminaria

Código DE-0225-MRO

Nombre LR16

Ensayo

Código DE-0225-MRO

Nombre LR16

Flujo Luminaria	549.58 lm	Potencia luminaria	6.40 W	Eficiencia	85.87 lm/W	Rendimiento	100.00%
Flujo de Lámpara	549.58 lm	Valor Máximo	1753.57 cd/klm	Posición	C=270.00 G=3.00	CG	Asimétrico

Luminance cd/m2 Tabla 1/3

	C 0.00	C 10.00	C 20.00	C 30.00	C 40.00	C 50.00	C 60.00	C 70.00	C 80.00	C 90.00	C 100.00	C 110.00	C 120.00
G 0.0	371726.40	373258.44	374742.95	376132.40	377379.26	378436.01	379255.10	379789.02	379990.23	379811.20	379229.75	378325.11	377201.82
G 5.0	317450.77	311742.94	307163.95	303784.56	301661.54	300842.44	301368.96	303278.94	306606.80	311382.64	308061.24	306157.86	305658.30
G 10.0	251119.91	242123.82	234923.53	229509.66	225881.86	224057.48	224077.80	226012.58	229963.17	236063.87	231011.08	228089.36	227204.70
G 15.0	184488.93	174933.00	167361.92	161670.87	157795.83	155719.22	155475.07	157155.03	160915.68	166987.63	162249.13	159757.14	159322.68
G 20.0	128918.99	120400.36	113715.33	108686.86	105201.16	103205.57	102709.38	103788.29	106593.34	111365.27	107177.01	104919.15	104372.56
G 25.0	82683.93	76687.12	72098.44	68741.22	66504.78	65336.72	65240.45	66278.03	68578.80	72355.37	69204.83	67486.74	67018.17
G 30.0	51799.64	47450.54	44148.35	41728.44	40087.56	39172.59	38975.81	39535.91	40944.85	43362.50	41054.02	39751.75	39307.12
G 35.0	32916.66	29940.27	27719.32	26119.13	25057.38	24492.43	24418.33	24865.29	25905.74	27667.87	26061.02	25160.97	24847.72
G 40.0	20243.42	18263.78	16806.70	15769.20	15089.81	14738.06	14709.92	15028.16	15747.38	16965.73	15922.13	15357.12	15180.75
G 45.0	13056.56	11704.04	10723.39	10034.84	9591.83	9371.60	9371.24	9607.84	10122.65	10991.00	10265.09	9873.66	9747.86
G 50.0	8743.83	7835.98	7193.59	6755.94	6488.47	6374.75	6413.17	6616.97	7017.63	7673.16	7113.05	6794.15	6663.26
G 55.0	6342.69	5627.24	5124.74	4782.83	4572.21	4479.02	4501.69	4650.97	4952.97	5456.78	5039.47	4810.17	4723.98
G 60.0	4705.40	4163.41	3789.75	3540.34	3390.89	3329.92	3355.87	3476.97	3713.77	4105.66	3749.60	3542.90	3448.32
G 65.0	3681.15	3238.04	2936.97	2738.57	2621.63	2576.20	2600.95	2703.02	2900.31	3227.77	2927.64	2753.22	2671.49
G 70.0	2986.74	2618.09	2372.25	2213.30	2122.25	2090.31	2116.24	2206.19	2375.87	2656.43	2383.49	2220.32	2136.47
G 75.0	2536.22	2184.00	1948.64	1793.44	1699.12	1656.45	1663.35	1724.52	1853.34	2077.59	1845.47	1710.01	1642.63
G 80.0	1928.18	1641.78	1452.43	1327.83	1251.28	1214.72	1216.05	1258.65	1352.99	1521.48	1334.13	1224.54	1168.61
G 85.0	1392.43	1152.09	992.35	884.28	813.02	771.09	755.75	768.40	815.53	912.28	785.71	714.60	680.81
G 90.0	809.09	700.06	634.22	596.47	579.69	581.04	600.64	641.63	711.54	826.18	714.81	647.56	608.98



Luminaria

Código DE-0225-MRO

Nombre LR16

Ensayo

Código DE-0225-MRO

Nombre LR16

Flujo Luminaria	549.58 lm	Potencia luminaria	6.40 W	Eficiencia	85.87 lm/W	Rendimiento	100.00%
Flujo de Lámpara	549.58 lm	Valor Máximo	1753.57 cd/klm	Posición	C=270.00 G=3.00	CG	Asimétrico

Luminance cd/m2 Tabla 2/3

	C 130.00	C 140.00	C 150.00	C 160.00	C 170.00	C 180.00	C 190.00	C 200.00	C 210.00	C 220.00	C 230.00	C 240.00	C 250.00
G 0.0	375964.46	374717.60	373565.80	372613.62	371965.63	371726.40	371965.63	372613.62	373565.80	374717.60	375964.46	377201.82	378325.11
G 5.0	306544.39	308794.73	312384.02	317280.89	323444.22	330818.10	329114.98	328363.53	328543.48	329620.31	331544.26	334248.12	337643.69
G 10.0	228295.93	231334.91	236325.08	243298.61	252311.86	263438.45	261517.65	261133.78	262179.54	264558.22	268178.54	272947.20	278759.17
G 15.0	160828.78	164223.21	169512.92	176759.98	186078.25	197629.86	195461.99	194806.09	195546.24	197595.73	200890.51	205381.61	211026.22
G 20.0	105406.05	107963.35	112055.38	117757.15	125208.29	134616.92	132368.47	131438.74	131709.97	133106.96	135589.46	139146.07	143788.62
G 25.0	67696.63	69486.55	72412.89	76560.81	82081.05	89201.49	87262.07	86404.03	86501.23	87476.81	89292.87	91943.70	95451.38
G 30.0	39638.96	40720.28	42572.80	45267.60	48932.21	53765.14	52423.61	51866.23	51985.82	52720.84	54044.92	55960.94	58498.50
G 35.0	25055.72	25761.21	26976.86	28752.10	31178.97	34405.13	33192.20	32538.68	32361.93	32616.37	33284.94	34375.15	35918.66
G 40.0	15344.73	15831.58	16650.13	17835.76	19455.36	21618.47	20704.38	20174.27	19966.29	20047.18	20405.31	21047.80	22000.83
G 45.0	9851.06	10169.58	10708.94	11493.93	12572.64	14025.77	13301.56	12852.69	12630.49	12609.10	12779.56	13147.52	13733.89
G 50.0	6692.20	6870.14	7200.50	7701.11	8407.56	9381.22	8788.04	8407.34	8196.60	8133.15	8208.37	8425.59	8800.54
G 55.0	4757.42	4901.28	5157.78	5540.58	6077.59	6817.92	6330.20	6007.48	5814.61	5733.07	5755.93	5886.06	6136.63
G 60.0	3446.73	3530.91	3703.19	3975.67	4373.10	4940.01	4569.10	4336.39	4209.34	4171.10	4215.23	4343.81	4567.73
G 65.0	2665.83	2730.12	2866.53	3085.90	3410.52	3881.21	3569.90	3377.96	3275.26	3246.43	3285.64	3394.61	3582.97
G 70.0	2116.80	2155.64	2254.79	2423.78	2682.72	3069.31	2803.13	2643.44	2561.35	2542.40	2581.09	2678.85	2844.37
G 75.0	1629.35	1664.97	1750.93	1895.67	2117.24	2450.24	2229.06	2098.69	2033.47	2020.95	2056.69	2142.51	2286.79
G 80.0	1154.84	1179.08	1242.77	1353.22	1526.22	1792.61	1631.81	1543.96	1507.41	1512.04	1554.54	1636.82	1766.41
G 85.0	675.95	697.18	745.79	827.56	954.85	1152.35	1059.09	1014.81	1004.76	1022.51	1066.49	1138.98	1246.60
G 90.0	591.82	593.17	613.15	654.96	726.29	843.27	747.98	698.06	677.83	680.16	702.45	745.37	812.94



Luminaria
 Código DE-0225-MRO
 Nombre LR16
Ensayo
 Código DE-0225-MRO
 Nombre LR16

Flujo Luminaria	549.58 lm	Potencia luminaria	6.40 W	Eficiencia	85.87 lm/W	Rendimiento	100.00%
Flujo de Lámpara	549.58 lm	Valor Máximo	1753.57 cd/klm	Posición	C=270.00 G=3.00	CG	Asimétrico

Luminance cd/m2 Tabla 3/3

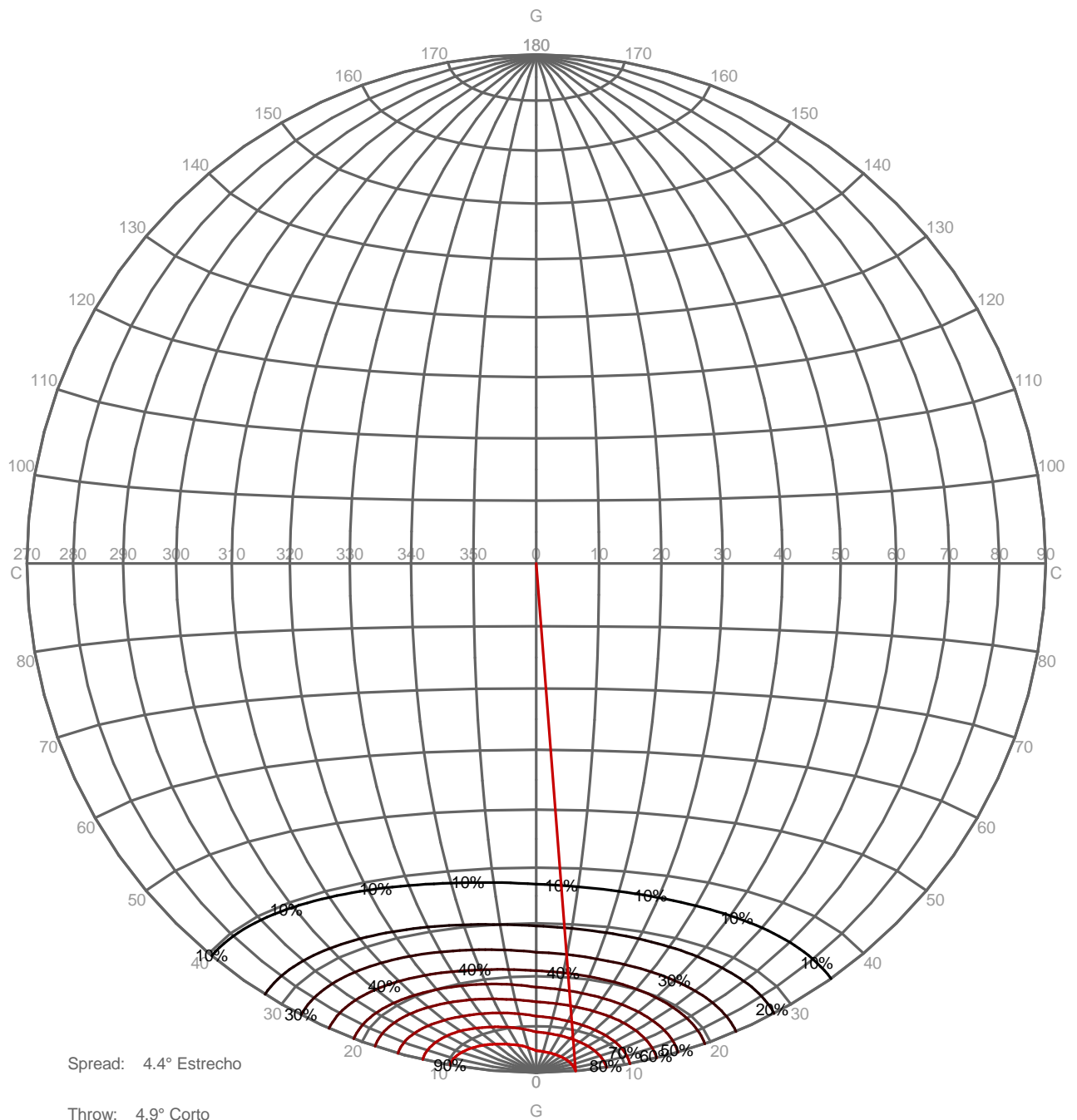
	C 260.00	C 270.00	C 280.00	C 290.00	C 300.00	C 310.00	C 320.00	C 330.00	C 340.00	C 350.00
G 0.0	379229.75	379811.20	379990.23	379789.02	379255.10	378436.01	377379.26	376132.40	374742.95	373258.44
G 5.0	341617.12	346023.04	340162.69	334764.76	329958.77	325842.31	322487.12	319944.01	318246.59	317413.70
G 10.0	285484.99	292954.52	284437.07	276682.39	269820.30	263940.09	259105.17	255364.12	252758.71	251329.60
G 15.0	217776.10	225562.10	216442.65	208424.11	201534.01	195780.95	191168.35	187704.18	185408.03	184316.74
G 20.0	149546.33	156458.16	148962.66	142657.76	137482.89	133388.98	130344.77	128341.46	127396.93	127560.54
G 25.0	99862.76	105246.85	99236.74	94242.67	90165.98	86932.96	84495.04	82829.56	81941.66	81868.14
G 30.0	61713.84	65692.04	61604.67	58282.66	55629.63	53578.55	52088.13	51141.47	50746.98	50941.94
G 35.0	37974.05	40633.45	37818.77	35622.98	33945.76	32721.64	31912.54	31504.19	31505.90	31953.50
G 40.0	23313.03	25063.15	23138.28	21671.87	20576.97	19798.64	19305.42	19085.35	19145.21	19512.80
G 45.0	14578.34	15747.07	14435.90	13468.07	12770.90	12300.09	12031.35	11956.38	12082.14	12432.95
G 50.0	9364.51	10171.56	9269.09	8623.37	8175.50	7890.91	7751.47	7752.04	7899.82	8216.46
G 55.0	6534.26	7126.06	6447.75	5977.43	5663.77	5477.53	5404.00	5439.65	5591.63	5879.85
G 60.0	4909.41	5409.23	4873.57	4501.80	4251.36	4098.42	4031.07	4046.49	4150.48	4359.41
G 65.0	3870.75	4294.86	3843.42	3532.77	3324.08	3196.00	3137.94	3147.30	3229.03	3397.42
G 70.0	3096.00	3468.24	3088.37	2830.24	2658.62	2554.60	2509.02	2519.86	2591.91	2738.50
G 75.0	2507.15	2837.12	2515.02	2301.30	2163.23	2083.79	2055.11	2075.99	2151.66	2295.82
G 80.0	1958.94	2244.51	1977.80	1800.53	1684.26	1614.42	1584.24	1592.47	1643.16	1747.37
G 85.0	1402.55	1632.50	1432.37	1300.40	1213.92	1161.62	1138.35	1143.25	1179.61	1256.34
G 90.0	914.12	1067.27	919.70	822.44	757.32	715.35	692.19	686.52	699.74	736.82

Luminaria
 Código DE-0225-MRO
 Nombre LR16
Ensayo
 Código DE-0225-MRO
 Nombre LR16

Flujo Luminaria	549.58 lm	Potencia luminaria	6.40 W	Eficiencia	85.87 lm/W	Rendimiento	100.00%
Flujo de Lámpara	549.58 lm	Valor Máximo	1753.57 cd/klm	Posición	C=270.00 G=3.00	CG	Asimétrico

PORCENTAJE ISOCANDELAS

Proyección: Equivalente SLI (deslumbramiento) 8.8 Concentrado Ángulo de Inclinación: 0°

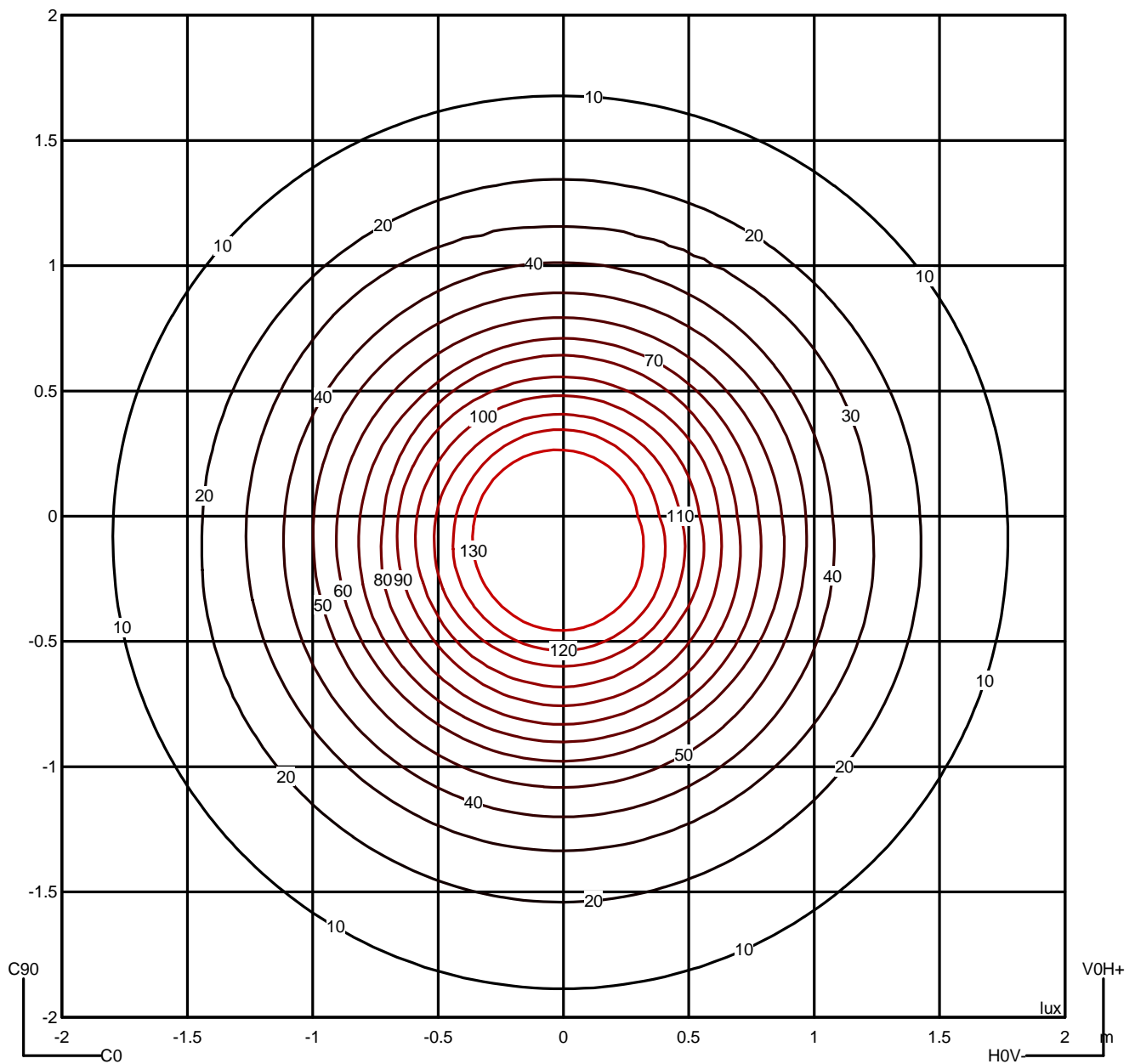


Luminaria
 Código DE-0225-MRO
 Nombre LR16
Ensayo
 Código DE-0225-MRO
 Nombre LR16

Flujo Luminaria	549.58 lm	Potencia luminaria	6.40 W	Eficiencia	85.87 lm/W	Rendimiento	100.00%
Flujo de Lámpara	549.58 lm	Valor Máximo	1753.57 cd/klm	Posición	C=270.00 G=3.00	CG	Asimétrico

Isolux (Suelo)

Posición Luminaria X=0.00m Y=0.00m Z=2.50m

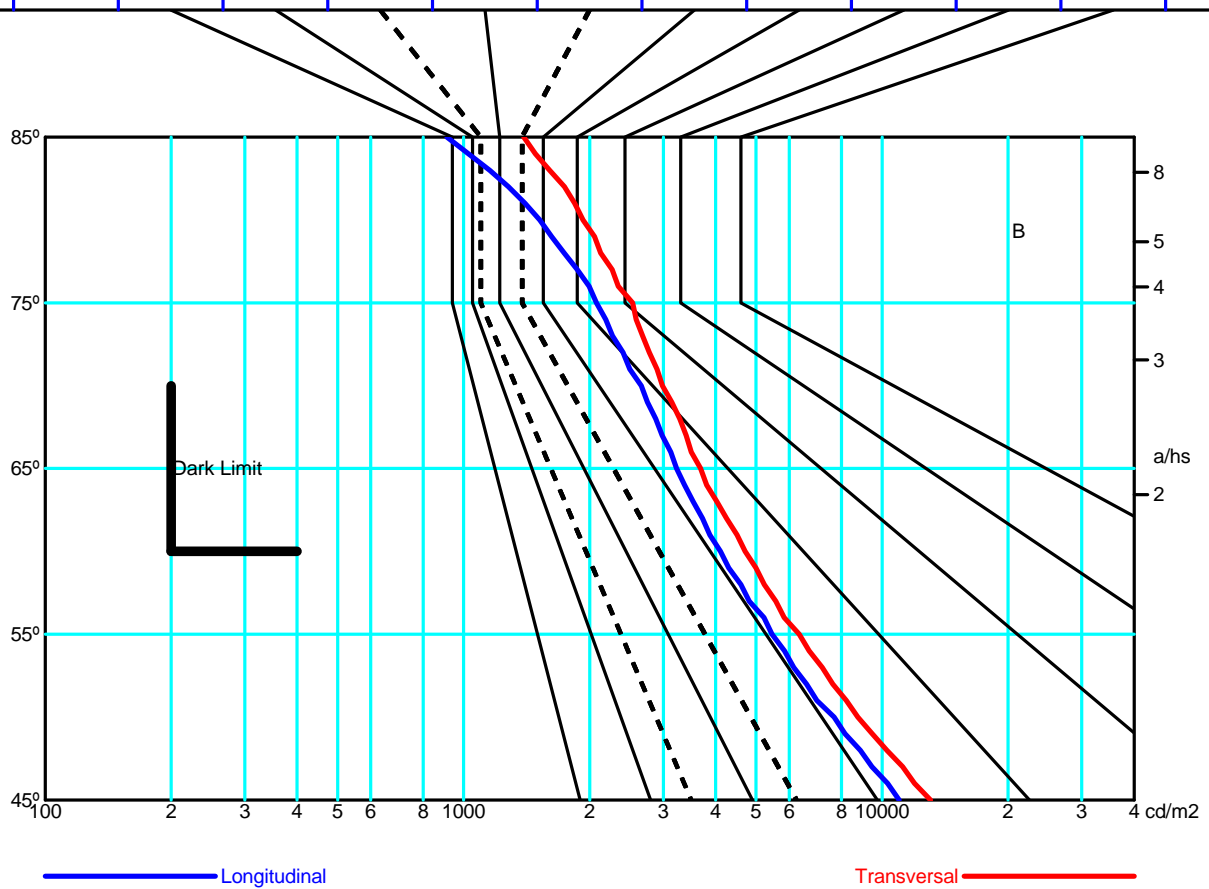


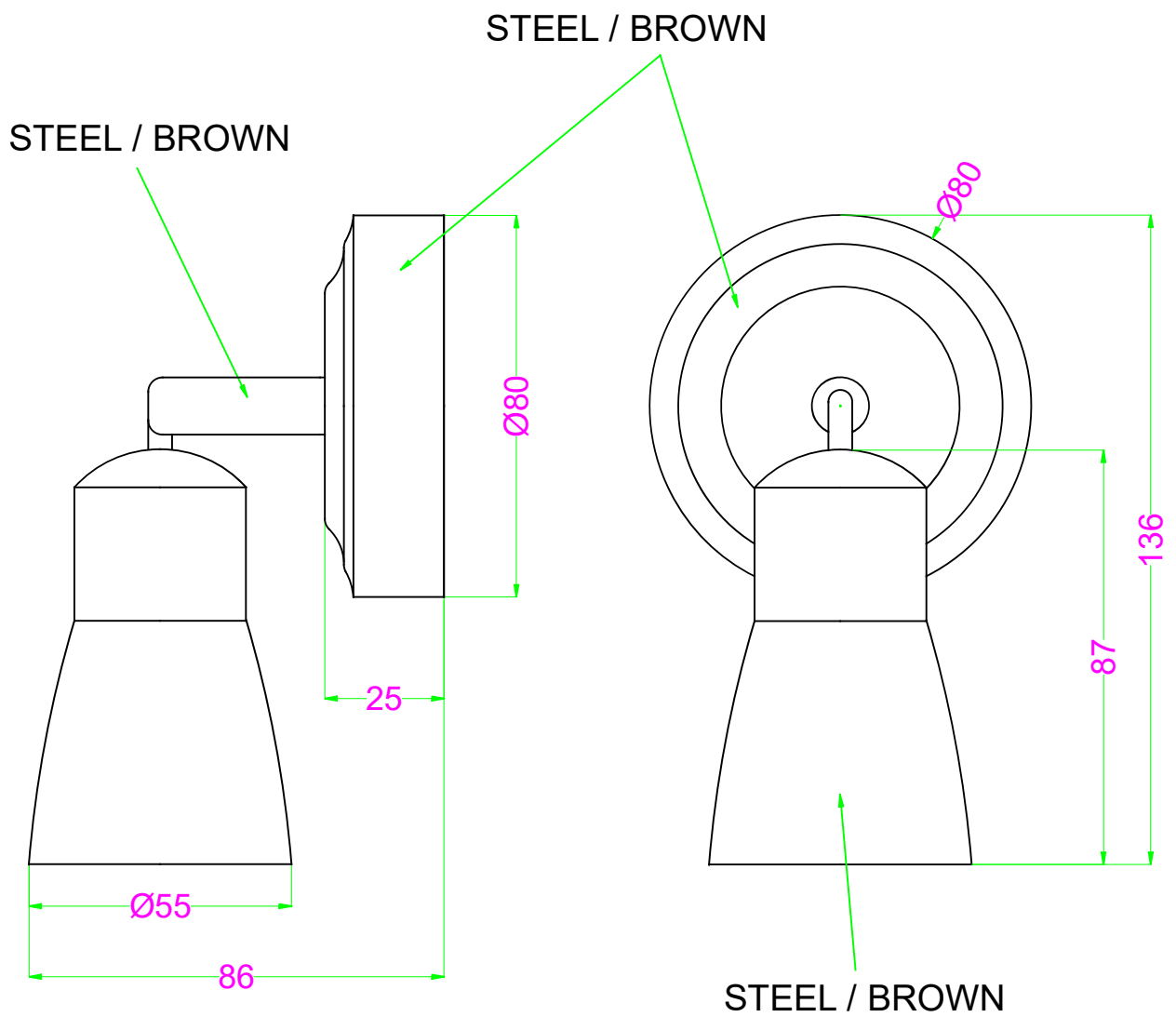
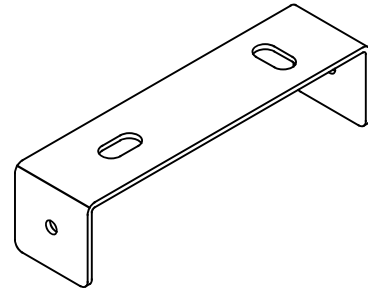
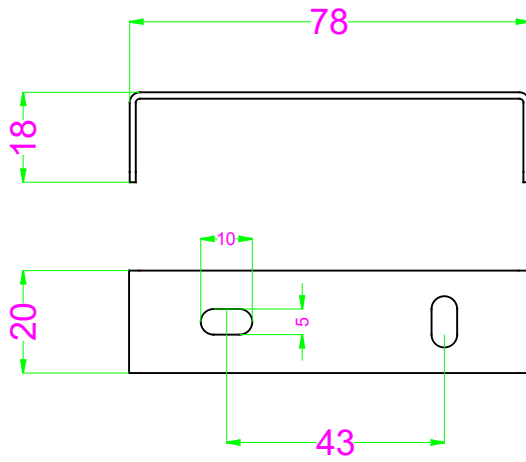
Luminaria
 Código DE-0225-MRO
 Nombre LR16
Ensayo
 Código DE-0225-MRO
 Nombre LR16

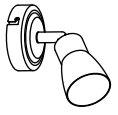
Flujo Luminaria	549.58 lm	Potencia luminaria	6.40 W	Eficiencia	85.87 lm/W	Rendimiento	100.00%
Flujo de Lámpara	549.58 lm	Valor Máximo	1753.57 cd/klm	Posición	C=270.00 G=3.00	CG	Asimétrico

		Luminancia Media [cd/m ²]									
		45°	50°	55°	60°	65°	70°	75°	80°	85°	
0.0°	13057	8744	6343	4705	3681	2987	2536	1928	1392	---	
90.0°	10991	7673	5457	4106	3228	2656	2078	1521	912	---	

Flujo montado o vista transversal												
		Iluminancia (lx)										
A	A	2000	1000	750	500		<300					1.15
B	1		2000	1500	1000	750	500	<300				1.5
C					2000		1000	500	<300			1.85
D	2						2000	1000	500	<300		2.2
E	3							2000	1000	500	<300	2.55



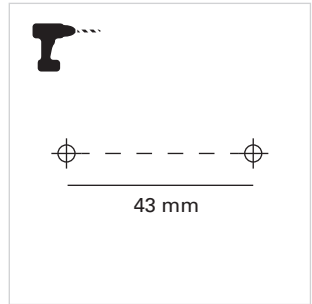
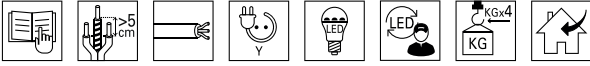




Safran

DE-0225

FOR
LIGHT



1

3

OFF

ON

GU10

L L
N N

43 mm

The diagram shows the installation process in six panels. The top row shows step 1: attaching the mounting bracket to the spotlight and step 3: connecting the wiring to a terminal block. The bottom row shows the final steps: removing the mounting bracket, inserting the GU10 bulb, and turning the spotlight on. A wiring diagram shows L (Live), N (Neutral), and PE (Earth) connections. A dimension line indicates a 43 mm distance between mounting holes. A circular switch icon is labeled 'OFF' and another is labeled 'ON'. The text 'GU10' is shown below the bulb icon.