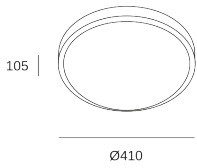
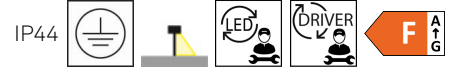


TECHNICAL FEATURES



Luminaire total power : 25.3W

Real lumens : 1821

Nominal lumens : 2300

Real lm/W : 72

Lens / reflector angle : HORIZONTAL 114°

UGR : <=22

Structure material : Aluminium

Structure finish : Aluminium

Diffuser material : Acrylic

Diffuser finish : Opal

Voltage / frequency : 100-240V/50-60Hz

Dimming protocol : ON-OFF

Power Factor : 0.90

Useful life : 36.000h L70B30

Warranty : 2 Years

LUMINOTECHNIC FEATURES

CRI: 80

MacAdam steps: 3

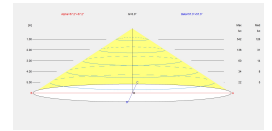
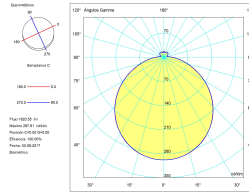
Photobiological risk: RG0

UGR

UGR crosswise: 20.5

UGR lengthwise: 20.5

UGR	
S=0.250	
Ceiling / cavity	0.7
Walls	0.5
Working Plane	0.2
Room dimensions	X=4H, Y=8H
UGR crosswise	20.5
UGR lengthwise	20.5



Lampholder	Quantity	Light source power (W)	Correlated Colour Temperature (CCT)
LED	1	22.8W	LED warm-white 3000K

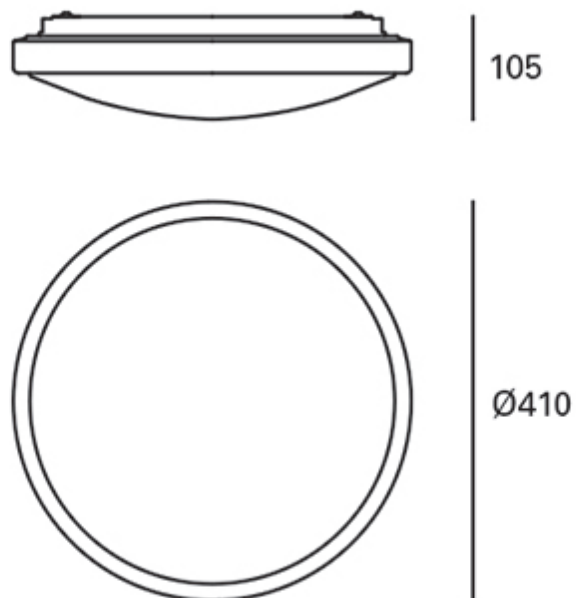
LOGISTICS

Net weight (kg): 0.86

Packaged weight (kg): 1.85

Packaging: 445mm x 110mm x 440mm



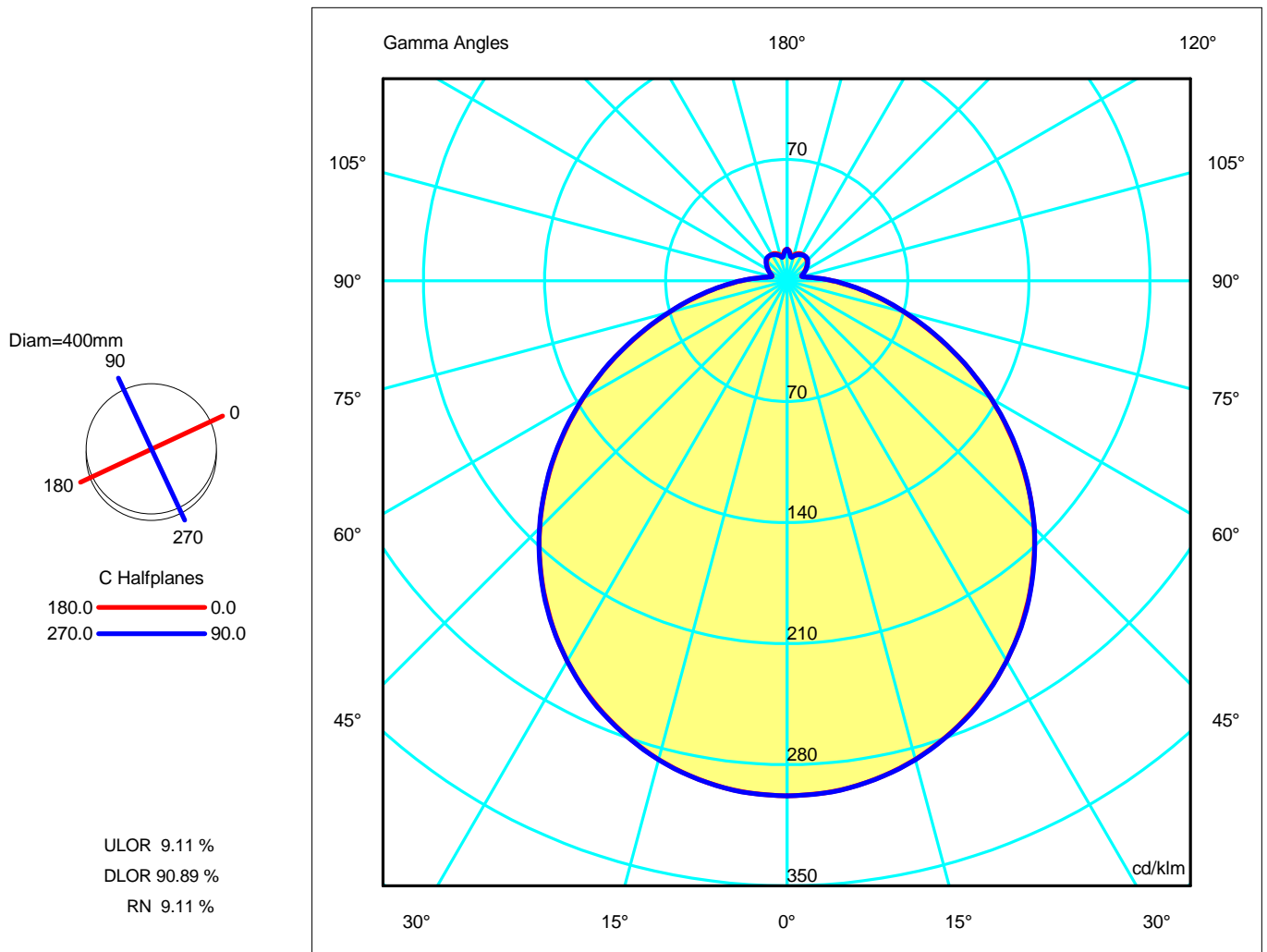


Luminaire

Code DE-0314-ALU
 Name PLAFON GRANDE
Measur.
 Code CL116A17F305G
 Name PLAFON GRANDE

Luminaire Flux	1820.55 lm	Luminaire Power	23.70 W	Efficacy	76.82 lm/W	Efficiency	100.00%
Lamps Flux	1820.55 lm	Maximum value	297.91 cd/klm	Position	C=0.00 G=0.00	CG	Double Symmetrical
Round Luminaire Round Luminous Area		Diam. Diam.	400 mm 370 mm	Height Height	110 mm 45 mm		
Horizontal Luminous Area Emitting area on Plane 0° Emitting area on Plane 90°		0.107521 m2 0.016650 m2 0.016650 m2		Emitting area on Plane 180° Emitting area on Plane 270° Glare area at 76°		0.016650 m2 0.016650 m2 0.042167 m2	
Coordinate system Date Measurement Distance		CG 30-08-2017 0.00		Symmetry Type Maximum Gamma Angle Measurement Flux		Double Symmetrical 180 1820.55 lm	
Operator Temperature Humidity Notes		Asselum T2 25.00 °C 60.00 %		Source Voltage [V] Source current [A] Photocell			

Line		Code	Luminaire Lamps		Flux [lm]	Pow. [W]	Q.ty
		DE-0314-ALU	Name	DE-0314-ALU	1820.55	23.70	1
C.I.E.	44 75 92 91 100		D DIN 5040		A31		
F UTE	0.91 E + 0.09 T		B NBN		BZ 5		





Luminaire

Code DE-0314-ALU
Name PLAFON GRANDE

Measur.

Code CL116A17F305G
Name PLAFON GRANDE

Luminaire Flux	1820.55 lm	Luminaire Power	23.70 W	Efficacy	76.82 lm/W	Efficiency	100.00%
Lamps Flux	1820.55 lm	Maximum value	297.91 cd/klm	Position	C=0.00 G=0.00	CG	Double Symmetrical

Luminous Intensity Table cd/klm Table 1/1

	C 0.00	C 15.00	C 30.00	C 45.00	C 60.00	C 75.00	C 90.00
G 0.0	297.91	297.91	297.91	297.91	297.91	297.91	297.91
G 5.0	296.68	296.65	296.74	296.63	296.79	296.65	296.81
G 10.0	292.89	292.88	292.86	292.91	293.13	292.90	292.93
G 15.0	286.61	286.64	286.72	286.68	286.86	286.72	286.84
G 20.0	277.90	278.03	278.01	278.07	278.42	278.11	278.10
G 25.0	267.12	267.08	267.21	267.15	267.37	267.20	267.41
G 30.0	253.98	253.80	253.82	253.85	254.32	253.96	254.00
G 35.0	238.49	238.49	238.49	238.54	238.71	238.56	238.79
G 40.0	221.04	221.15	221.06	221.15	221.69	221.23	221.40
G 45.0	202.07	201.89	201.96	201.96	202.26	201.98	202.26
G 50.0	181.09	181.05	181.21	181.09	181.46	180.99	181.36
G 55.0	158.85	158.99	159.15	158.99	159.56	158.81	159.40
G 60.0	136.11	136.17	136.85	136.01	136.54	136.30	136.39
G 65.0	113.08	113.05	113.15	113.11	113.24	112.97	113.30
G 70.0	90.65	90.48	91.18	90.44	90.52	90.40	90.98
G 75.0	70.13	70.16	70.34	70.12	70.34	70.06	70.49
G 80.0	52.45	52.38	53.16	52.43	53.26	52.51	52.87
G 85.0	37.68	37.80	37.96	37.72	37.91	37.68	37.96
G 90.0	26.06	25.90	26.42	25.99	26.50	26.01	26.38
G 95.0	17.08	17.14	17.23	17.12	17.28	17.13	17.42
G100.0	11.59	11.56	11.73	11.50	11.90	11.61	11.81
G105.0	8.95	8.99	9.03	8.86	9.02	8.96	9.18
G110.0	9.38	9.56	9.52	9.45	9.41	9.53	9.55
G115.0	10.82	11.08	11.02	10.96	11.06	11.13	11.10
G120.0	12.32	12.54	12.45	12.53	12.69	12.74	12.65
G125.0	13.86	13.98	14.00	14.10	14.36	14.33	14.19
G130.0	15.32	15.37	15.53	15.55	15.80	15.79	15.74
G135.0	16.47	16.53	16.83	16.78	16.90	16.94	17.00
G140.0	17.22	17.36	17.53	17.50	17.62	17.63	17.61
G145.0	17.55	17.50	17.54	17.65	17.88	17.60	17.58
G150.0	17.53	17.20	17.19	17.41	17.67	17.30	17.18
G155.0	17.27	16.72	16.65	16.86	17.00	16.75	16.60
G160.0	16.44	16.10	16.01	16.00	16.07	15.85	15.70
G165.0	15.20	15.19	14.99	14.85	14.84	14.61	14.63
G170.0	14.16	14.29	14.24	13.86	13.72	13.53	13.74
G175.0	17.07	16.44	17.06	15.74	16.10	15.53	16.26
G180.0	18.20	18.20	18.20	18.20	18.20	18.20	18.20

Luminaire

Code DE-0314-ALU
Name PLAFON GRANDE

Measurem.

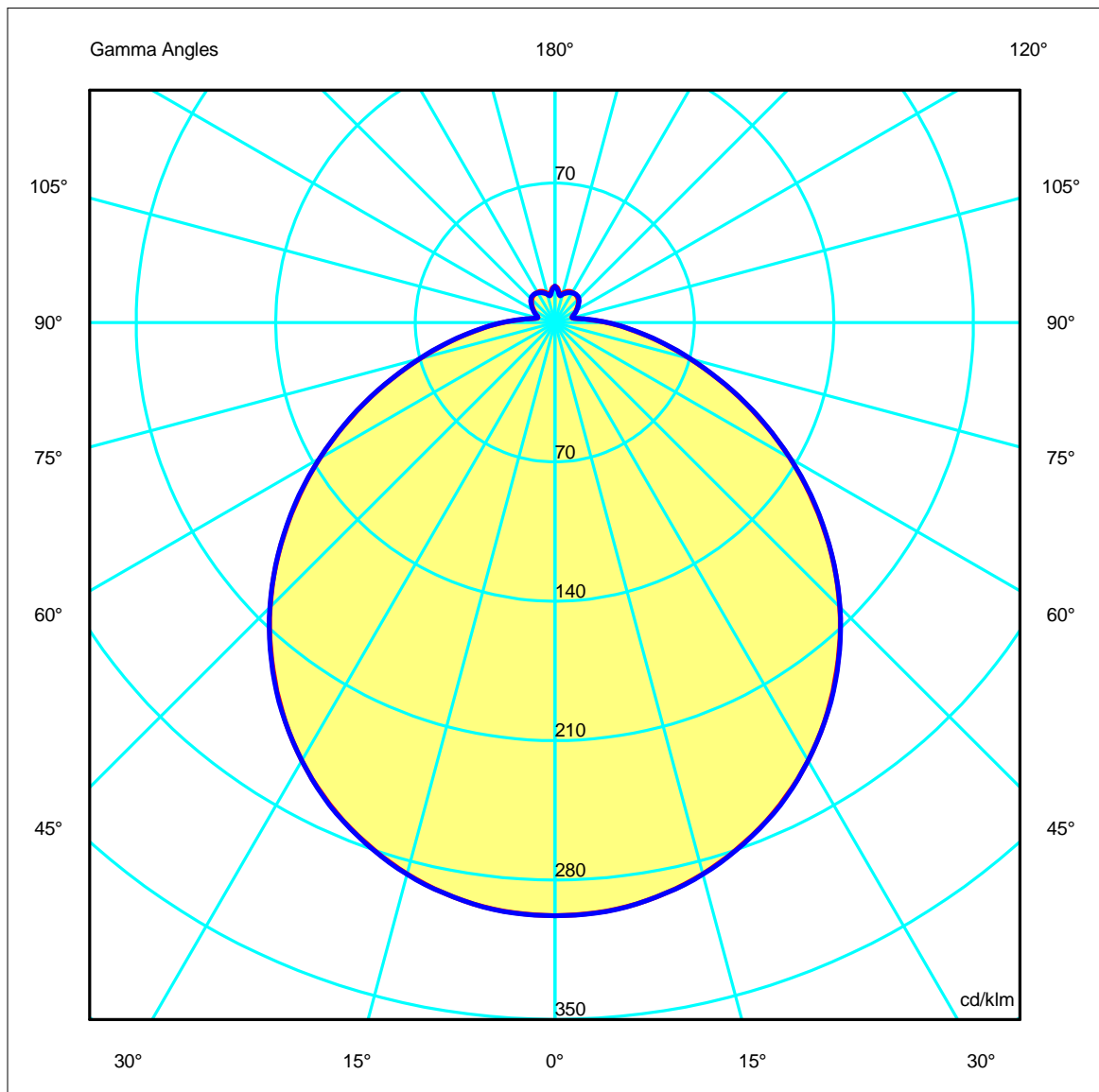
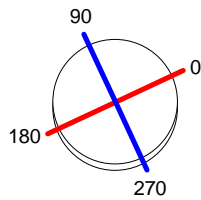
Code CL116A17F305G
Name PLAFON GRANDE

Luminaire Flux	1820.55 lm	Luminaire Power	23.70 W	Efficacy	76.82 lm/W	Efficiency	100.00%
Lamps Flux	1820.55 lm	Maximum value	297.91 cd/klm	Position	C=0.00 G=0.00	CG	Double Symmetrical

Diam=400mm

C Halfplanes

180.0 ——— 0.0
270.0 ——— 90.0



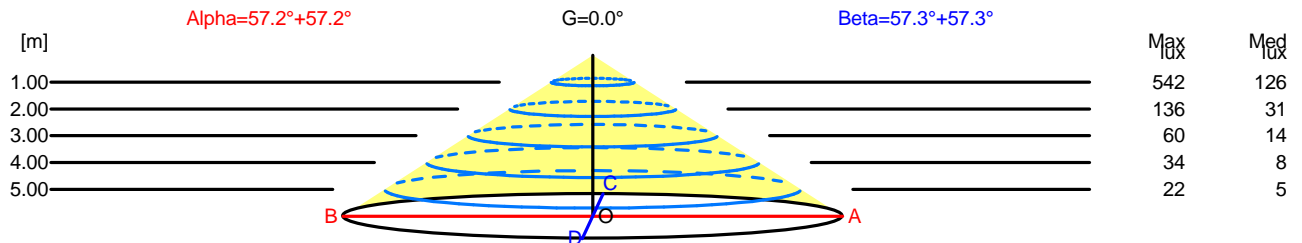
Luminaire
 Code DE-0314-ALU
 Name PLAFON GRANDE
Measur.
 Code CL116A17F305G
 Name PLAFON GRANDE

Luminaire Flux	1820.55 lm	Luminaire Power	23.70 W	Efficacy	76.82 lm/W	Efficiency	100.00%
Lamps Flux	1820.55 lm	Maximum value	297.91 cd/klm	Position	C=0.00 G=0.00	CG	Double Symmetrical

Width at 50.00 % of Max Intensity

H[m]	1.00	2.00	3.00	4.00	5.00	H[m]	1.00	2.00	3.00	4.00	5.00
OA	1.55	3.10	4.65	6.20	7.75	OC	1.56	3.11	4.67	6.23	7.78
OB	1.55	3.10	4.65	6.20	7.75	OD	1.56	3.11	4.67	6.23	7.78

	Luminous Intensities [cd/klm]									
	0	5	15	25	35	45	55	65	75	85
OA	542.36	540.11	521.78	486.31	434.19	367.87	289.19	205.86	127.67	68.60
OB	542.36	540.11	521.78	486.31	434.19	367.87	289.19	205.86	127.67	68.60
OC	542.36	540.36	522.21	486.83	434.72	368.22	290.19	206.27	128.33	69.11
OD	542.36	540.36	522.21	486.83	434.72	368.22	290.19	206.27	128.33	69.11



H[m]	D[m]	Max lux	Med lux	Alpha=57.2°+57.2°	G=0.0
1.00	3.10	542	126		
2.00	6.20	136	31		
3.00	9.31	60	14		
4.00	12.41	34	8		
5.00	15.51	22	5		

H[m]	D[m]	Max lux	Med lux	Beta=57.3°+57.3°	G=0.0
1.00	3.11	542	126		
2.00	6.23	136	31		
3.00	9.34	60	14		
4.00	12.46	34	8		
5.00	15.57	22	5		



Luminaire

Code DE-0314-ALU
Name PLAFON GRANDE

Measurement

Code CL116A17F305G
Name PLAFON GRANDE

Luminaire Flux	1820.55 lm	Luminaire Power	23.70 W	Efficacy	76.82 lm/W	Efficiency	100.00%
Lamps Flux	1820.55 lm	Maximum value	297.91 cd/klm	Position	C=0.00 G=0.00	CG	Double Symmetrical

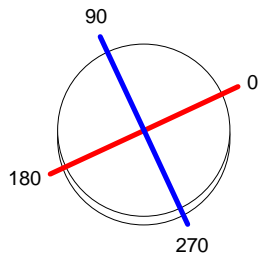
UGR
S = 0.250

Reflectancies										
Ceiling/Cavity	0.7	0.7	0.5	0.5	0.3	0.7	0.7	0.5	0.5	0.3
Walls	0.5	0.3	0.5	0.3	0.3	0.5	0.3	0.5	0.3	0.3
WorkingPlane	0.2	0.2	0.2	0.2	0.2	0.2	0.2	0.2	0.2	0.2
RoomDimensions	ViewedCrosswise					ViewedEndwise				
x=2H y=2H	16.5	17.7	16.9	18.1	18.5	16.5	17.7	16.9	18.1	18.5
x=2H y=3H	18.1	19.2	18.5	19.6	20.1	18.1	19.2	18.5	19.6	20.1
x=2H y=4H	18.8	19.8	19.2	20.3	20.8	18.8	19.8	19.3	20.3	20.8
x=2H y=6H	19.4	20.4	19.9	20.8	21.3	19.4	20.4	19.9	20.8	21.3
x=2H y=8H	19.6	20.6	20.1	21.1	21.6	19.6	20.6	20.1	21.1	21.6
x=2H y=12H	19.9	20.8	20.4	21.3	21.8	19.9	20.8	20.4	21.3	21.8
x=4H y=2H	17.2	18.3	17.7	18.7	19.2	17.2	18.3	17.7	18.7	19.2
x=4H y=3H	19.0	19.9	19.5	20.4	20.9	19.0	19.9	19.5	20.4	20.9
x=4H y=4H	19.8	20.6	20.3	21.1	21.7	19.8	20.6	20.3	21.1	21.7
x=4H y=6H	20.6	21.3	21.1	21.8	22.4	20.6	21.3	21.1	21.8	22.4
x=4H y=8H	20.9	21.6	21.5	22.1	22.7	20.9	21.6	21.5	22.1	22.7
x=4H y=12H	21.2	21.8	21.8	22.4	23.0	21.2	21.8	21.8	22.4	23.0
x=8H y=4H	20.2	20.8	20.7	21.4	22.0	20.2	20.8	20.7	21.4	22.0
x=8H y=6H	21.1	21.6	21.7	22.2	22.9	21.1	21.7	21.7	22.2	22.9
x=8H y=8H	21.6	22.0	22.2	22.6	23.3	21.6	22.0	22.2	22.7	23.3
x=8H y=12H	22.0	22.4	22.6	23.0	23.7	22.0	22.4	22.6	23.0	23.7
x=12H y=4H	20.2	20.8	20.8	21.4	22.0	20.2	20.8	20.8	21.4	22.0
x=12H y=6H	21.2	21.7	21.8	22.3	23.0	21.2	21.7	21.8	22.3	23.0
x=12H y=8H	21.7	22.2	22.4	22.8	23.5	21.7	22.2	22.4	22.8	23.5

Luminaire
 Code DE-0314-ALU
 Name PLAFON GRANDE
Measurement
 Code CL116A17F305G
 Name PLAFON GRANDE

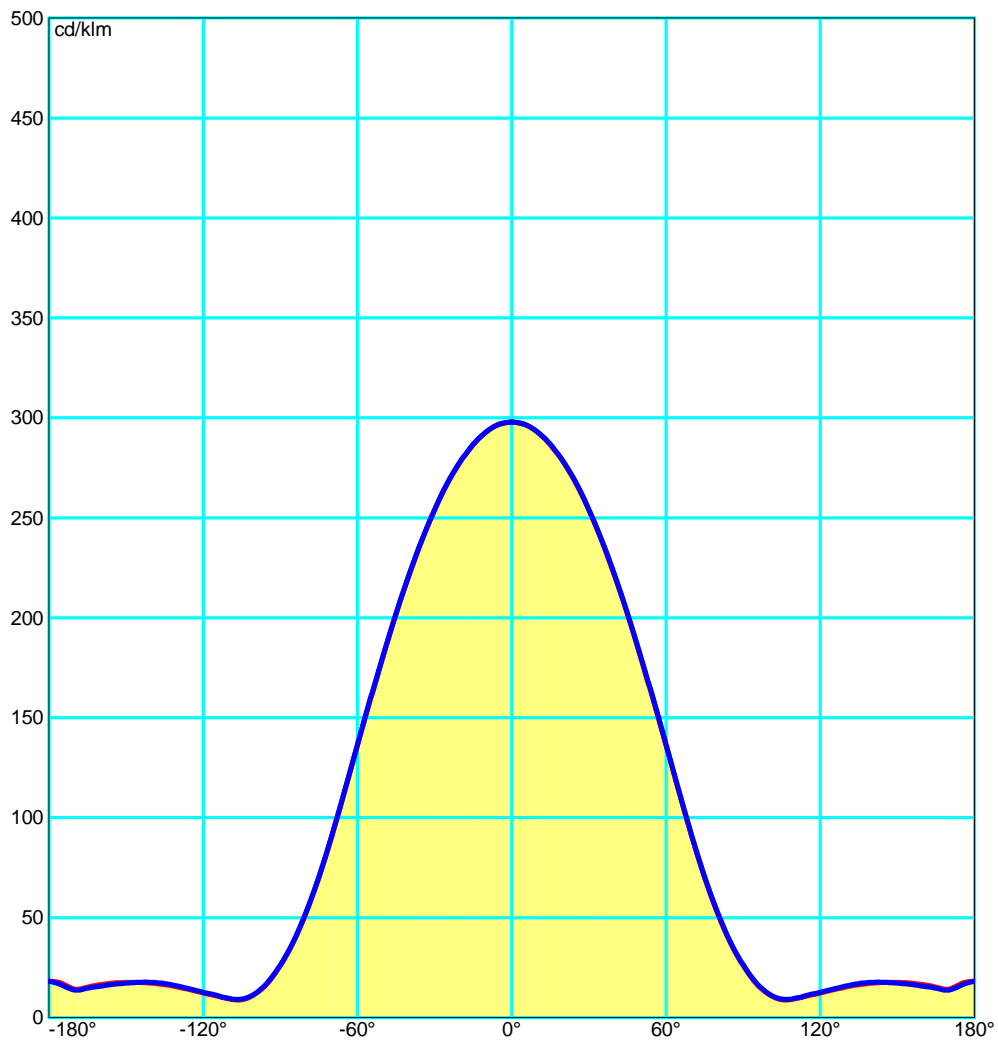
Luminaire Flux	1820.55 lm	Luminaire Power	23.70 W	Efficacy	76.82 lm/W	Efficiency	100.00%
Lamps Flux	1820.55 lm	Maximum value	297.91 cd/klm	Position	C=0.00 G=0.00	CG	Double Symmetrical

Diam=400mm



C Halfplanes

180.0 ———— 0.0
 270.0 ———— 90.0



Luminaire
 Code DE-0314-ALU
 Name PLAFON GRANDE
Measurement
 Code CL116A17F305G
 Name PLAFON GRANDE

Luminaire Flux	1820.55 lm	Luminaire Power	23.70 W	Efficacy	76.82 lm/W	Efficiency	100.00%
Lamps Flux	1820.55 lm	Maximum value	297.91 cd/klm	Position	C=0.00 G=0.00	CG	Double Symmetrical

Luminance





Luminaire

Code DE-0314-ALU
Name PLAFON GRANDE

Measur.

Code CL116A17F305G
Name PLAFON GRANDE

Luminaire Flux	1820.55 lm	Luminaire Power	23.70 W	Efficacy	76.82 lm/W	Efficiency	100.00%
Lamps Flux	1820.55 lm	Maximum value	297.91 cd/klm	Position	C=0.00 G=0.00	CG	Double Symmetrical

Luminance cd/m2 Table 1/3

	C 0.00	C 10.00	C 20.00	C 30.00	C 40.00	C 50.00	C 60.00	C 70.00	C 80.00	C 90.00	C 100.00	C 110.00	C 120.00
G 0.0	5044.20	5044.20	5044.20	5044.20	5044.20	5044.20	5044.20	5044.20	5044.20	5044.20	5044.20	5044.20	5044.20
G 5.0	4975.11	4974.53	4975.35	4976.17	4974.60	4975.07	4976.98	4975.45	4974.93	4977.39	4974.93	4975.45	4976.98
G 10.0	4901.81	4901.78	4901.68	4901.45	4901.48	4903.76	4905.96	4903.51	4901.60	4902.62	4901.60	4903.51	4905.96
G 15.0	4823.86	4824.11	4825.02	4825.70	4824.96	4826.14	4828.18	4826.62	4825.84	4827.81	4825.84	4826.62	4828.18
G 20.0	4740.15	4741.90	4742.56	4742.07	4741.92	4745.37	4749.02	4745.93	4743.77	4743.57	4743.77	4745.93	4749.02
G 25.0	4654.37	4653.40	4654.42	4655.90	4654.84	4656.12	4658.71	4656.72	4656.10	4659.40	4656.10	4656.72	4658.71
G 30.0	4558.24	4555.60	4554.99	4555.34	4555.62	4558.87	4564.30	4560.34	4556.79	4558.57	4556.79	4560.34	4564.30
G 35.0	4447.48	4447.43	4447.43	4447.45	4448.10	4449.73	4451.55	4449.54	4449.32	4452.95	4449.32	4449.54	4451.55
G 40.0	4323.88	4325.69	4325.78	4324.29	4323.99	4330.21	4336.57	4330.94	4326.99	4330.95	4326.99	4330.94	4336.57
G 45.0	4189.76	4186.69	4186.47	4187.62	4187.56	4189.86	4193.80	4189.90	4188.47	4193.80	4188.47	4189.90	4193.80
G 50.0	4027.06	4025.60	4027.55	4029.77	4026.88	4029.96	4035.30	4028.21	4025.12	4032.92	4025.12	4028.21	4035.30
G 55.0	3840.02	3841.82	3845.54	3847.26	3844.70	3848.59	3857.13	3844.80	3839.69	3853.27	3839.69	3844.80	3857.13
G 60.0	3634.52	3635.61	3643.97	3654.31	3638.17	3633.60	3645.87	3641.70	3638.64	3641.93	3638.64	3641.70	3645.87
G 65.0	3400.92	3399.98	3401.29	3403.03	3401.82	3403.30	3405.90	3399.83	3398.89	3407.75	3398.89	3399.83	3405.90
G 70.0	3148.43	3139.74	3151.48	3166.72	3150.19	3141.99	3143.86	3140.29	3143.41	3159.57	3143.41	3140.29	3143.86
G 75.0	2907.53	2908.32	2912.11	2916.21	2908.89	2909.79	2916.43	2907.83	2906.85	2922.45	2906.85	2907.83	2916.43
G 80.0	2723.17	2713.30	2735.48	2759.71	2730.81	2733.15	2765.02	2740.90	2723.57	2744.77	2723.57	2740.90	2765.02
G 85.0	2642.61	2647.08	2656.87	2662.16	2649.55	2649.11	2658.58	2647.46	2644.66	2662.28	2644.66	2647.46	2658.58
G 90.0	2849.02	2826.92	2854.05	2889.37	2852.56	2856.26	2898.01	2863.59	2844.44	2884.09	2844.44	2863.59	2898.01



Luminaire

Code DE-0314-ALU
Name PLAFON GRANDE

Measur.

Code CL116A17F305G
Name PLAFON GRANDE

Luminaire Flux	1820.55 lm	Luminaire Power	23.70 W	Efficacy	76.82 lm/W	Efficiency	100.00%
Lamps Flux	1820.55 lm	Maximum value	297.91 cd/klm	Position	C=0.00 G=0.00	CG	Double Symmetrical

Luminance cd/m2 Table 2/3

	C 130.00	C 140.00	C 150.00	C 160.00	C 170.00	C 180.00	C 190.00	C 200.00	C 210.00	C 220.00	C 230.00	C 240.00	C 250.00
G 0.0	5044.20	5044.20	5044.20	5044.20	5044.20	5044.20	5044.20	5044.20	5044.20	5044.20	5044.20	5044.20	5044.20
G 5.0	4975.07	4974.60	4976.17	4975.35	4974.53	4975.11	4974.53	4975.35	4976.17	4974.60	4975.07	4976.98	4975.45
G 10.0	4903.76	4901.48	4901.45	4901.68	4901.78	4901.81	4901.78	4901.68	4901.45	4901.48	4903.76	4905.96	4903.51
G 15.0	4826.14	4824.96	4825.70	4825.02	4824.11	4823.86	4824.11	4825.02	4825.70	4824.96	4826.14	4828.18	4826.62
G 20.0	4745.37	4741.92	4742.07	4742.56	4741.90	4740.15	4741.90	4742.56	4742.07	4741.92	4745.37	4749.02	4745.93
G 25.0	4656.12	4654.84	4655.90	4654.42	4653.40	4654.37	4653.40	4654.42	4655.90	4654.84	4656.12	4658.71	4656.72
G 30.0	4558.87	4555.62	4555.34	4554.99	4555.60	4558.24	4555.60	4554.99	4555.34	4555.62	4558.87	4564.30	4560.34
G 35.0	4449.73	4448.10	4447.45	4447.43	4447.43	4447.48	4447.43	4447.43	4447.45	4448.10	4449.73	4451.55	4449.54
G 40.0	4330.21	4323.99	4324.29	4325.78	4325.69	4323.88	4325.69	4325.78	4324.29	4323.99	4330.21	4336.57	4330.94
G 45.0	4189.86	4187.56	4187.62	4186.47	4186.69	4189.76	4186.69	4186.47	4187.56	4187.62	4189.86	4193.80	4189.90
G 50.0	4029.96	4026.88	4029.77	4027.55	4025.60	4027.06	4025.60	4027.55	4029.77	4026.88	4029.96	4035.30	4028.21
G 55.0	3848.59	3844.70	3847.26	3845.54	3841.82	3840.02	3841.82	3845.54	3847.26	3844.70	3848.59	3857.13	3844.80
G 60.0	3633.60	3638.17	3654.31	3643.97	3635.61	3634.52	3635.61	3643.97	3654.31	3638.17	3633.60	3645.87	3641.70
G 65.0	3403.30	3401.82	3403.03	3401.29	3399.98	3400.92	3399.98	3401.29	3403.03	3401.82	3403.30	3405.90	3399.83
G 70.0	3141.99	3150.19	3166.72	3151.48	3139.74	3148.43	3139.74	3151.48	3166.72	3150.19	3141.99	3143.86	3140.29
G 75.0	2909.79	2908.89	2916.21	2912.11	2908.32	2907.53	2908.32	2912.11	2916.21	2908.89	2909.79	2916.43	2907.83
G 80.0	2733.15	2730.81	2759.71	2735.48	2713.30	2723.17	2713.30	2735.48	2759.71	2730.81	2733.15	2765.02	2740.90
G 85.0	2649.11	2649.55	2662.16	2656.87	2647.08	2642.61	2647.08	2656.87	2662.16	2649.55	2649.11	2658.58	2647.46
G 90.0	2856.26	2852.56	2889.37	2854.05	2826.92	2849.02	2826.92	2854.05	2889.37	2852.56	2856.26	2898.01	2863.59

Luminaire
 Code DE-0314-ALU
 Name PLAFON GRANDE
Measur.
 Code CL116A17F305G
 Name PLAFON GRANDE

Luminaire Flux	1820.55 lm	Luminaire Power	23.70 W	Efficacy	76.82 lm/W	Efficiency	100.00%
Lamps Flux	1820.55 lm	Maximum value	297.91 cd/klm	Position	C=0.00 G=0.00	CG	Double Symmetrical

Luminance cd/m2 Table 3/3

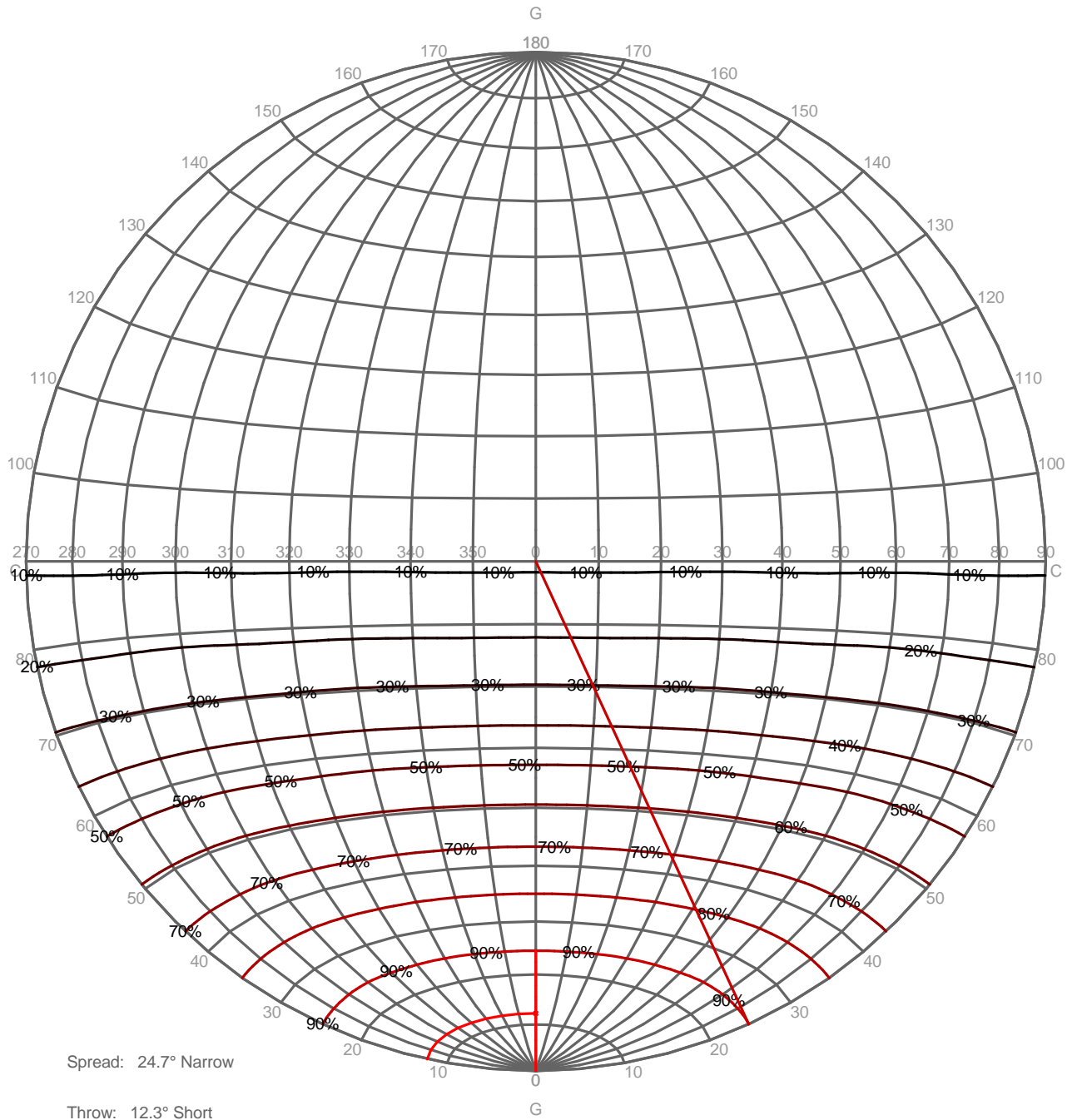
	C 260.00	C 270.00	C 280.00	C 290.00	C 300.00	C 310.00	C 320.00	C 330.00	C 340.00	C 350.00
G 0.0	5044.20	5044.20	5044.20	5044.20	5044.20	5044.20	5044.20	5044.20	5044.20	5044.20
G 5.0	4974.93	4977.39	4974.93	4975.45	4976.98	4975.07	4974.60	4976.17	4975.35	4974.53
G 10.0	4901.60	4902.62	4901.60	4903.51	4905.96	4903.76	4901.48	4901.45	4901.68	4901.78
G 15.0	4825.84	4827.81	4825.84	4826.62	4828.18	4826.14	4824.96	4825.70	4825.02	4824.11
G 20.0	4743.77	4743.57	4743.77	4745.93	4749.02	4745.37	4741.92	4742.07	4742.56	4741.90
G 25.0	4656.10	4659.40	4656.10	4656.72	4658.71	4656.12	4654.84	4655.90	4654.42	4653.40
G 30.0	4556.79	4558.57	4556.79	4560.34	4564.30	4558.87	4555.62	4555.34	4554.99	4555.60
G 35.0	4449.32	4452.95	4449.32	4449.54	4451.55	4449.73	4448.10	4447.45	4447.43	4447.43
G 40.0	4326.99	4330.95	4326.99	4330.94	4336.57	4330.21	4323.99	4324.29	4325.78	4325.69
G 45.0	4188.47	4193.80	4188.47	4189.90	4193.80	4189.86	4187.56	4187.62	4186.47	4186.69
G 50.0	4025.12	4032.92	4025.12	4028.21	4035.30	4029.96	4026.88	4029.77	4027.55	4025.60
G 55.0	3839.69	3853.27	3839.69	3844.80	3857.13	3848.59	3844.70	3847.26	3845.54	3841.82
G 60.0	3638.64	3641.93	3638.64	3641.70	3645.87	3633.60	3638.17	3654.31	3643.97	3635.61
G 65.0	3398.89	3407.75	3398.89	3399.83	3405.90	3403.30	3401.82	3403.03	3401.29	3399.98
G 70.0	3143.41	3159.57	3143.41	3140.29	3143.86	3141.99	3150.19	3166.72	3151.48	3139.74
G 75.0	2906.85	2922.45	2906.85	2907.83	2916.43	2909.79	2908.89	2916.21	2912.11	2908.32
G 80.0	2723.57	2744.77	2723.57	2740.90	2765.02	2733.15	2730.81	2759.71	2735.48	2713.30
G 85.0	2644.66	2662.28	2644.66	2647.46	2658.58	2649.11	2649.55	2662.16	2656.87	2647.08
G 90.0	2844.44	2884.09	2844.44	2863.59	2898.01	2856.26	2852.56	2889.37	2854.05	2826.92

Luminaire
 Code DE-0314-ALU
 Name PLAFON GRANDE
Measur.
 Code CL116A17F305G
 Name PLAFON GRANDE

Luminaire Flux	1820.55 lm	Luminaire Power	23.70 W	Efficacy	76.82 lm/W	Efficiency	100.00%
Lamps Flux	1820.55 lm	Maximum value	297.91 cd/klm	Position	C=0.00 G=0.00	CG	Double Symmetrical

PERCENTAGE ISOCANDLES

Projection: Equal Area SLI 6.1 Tight Tilting Angle:0°

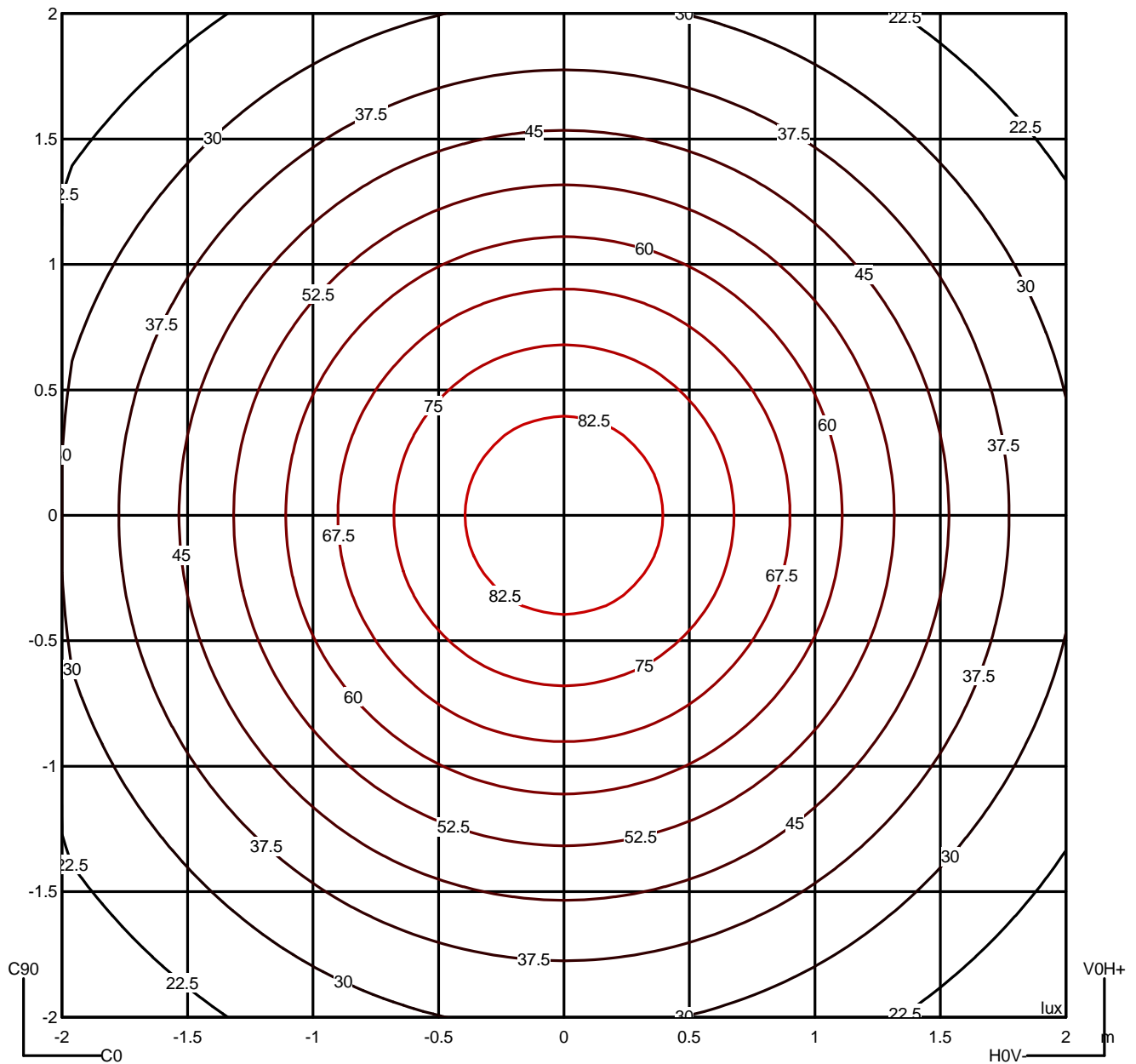


Luminaire
 Code DE-0314-ALU
 Name PLAFON GRANDE
Measur.
 Code CL116A17F305G
 Name PLAFON GRANDE

Luminaire Flux	1820.55 lm	Luminaire Power	23.70 W	Efficacy	76.82 lm/W	Efficiency	100.00%
Lamps Flux	1820.55 lm	Maximum value	297.91 cd/klm	Position	C=0.00 G=0.00	CG	Double Symmetrical

Isolux (Floor)

Luminaire position X=0.00m Y=0.00m Z=2.50m

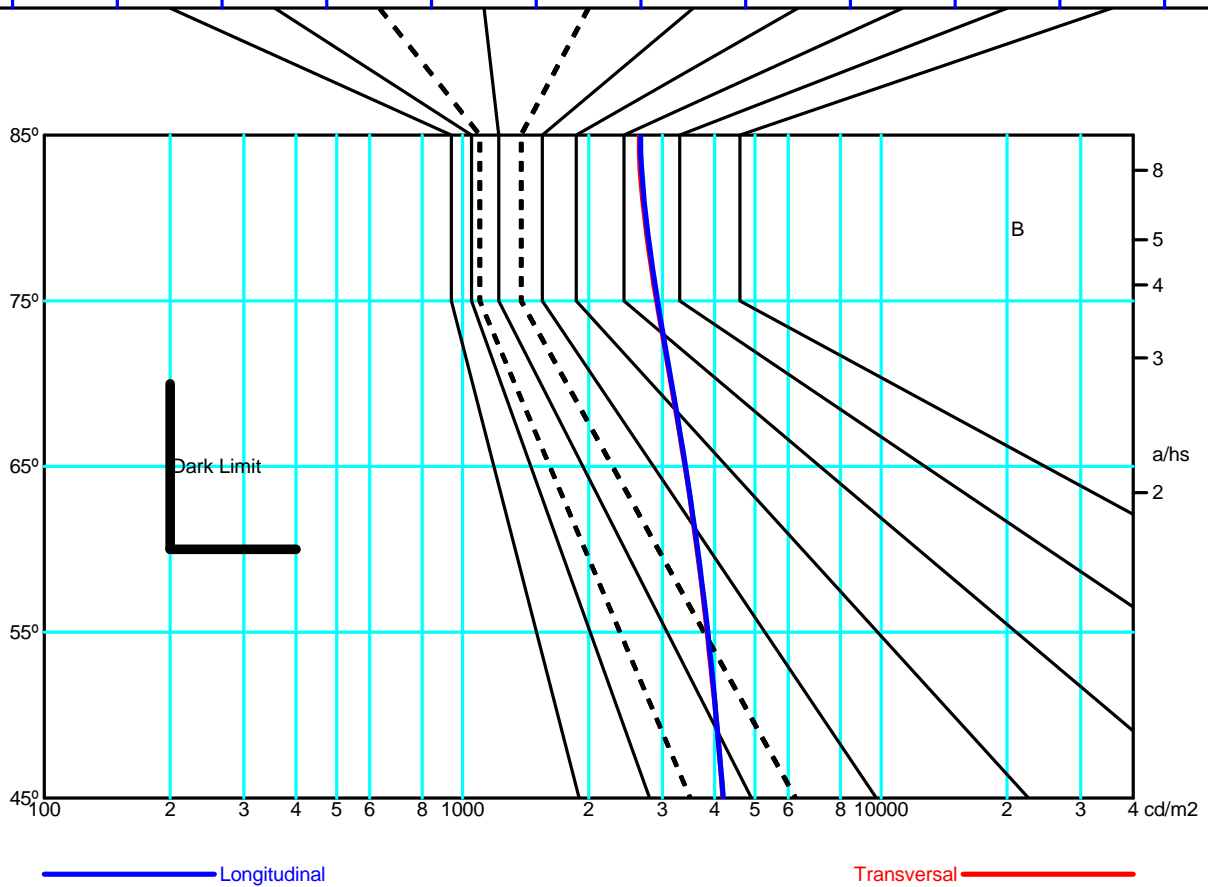


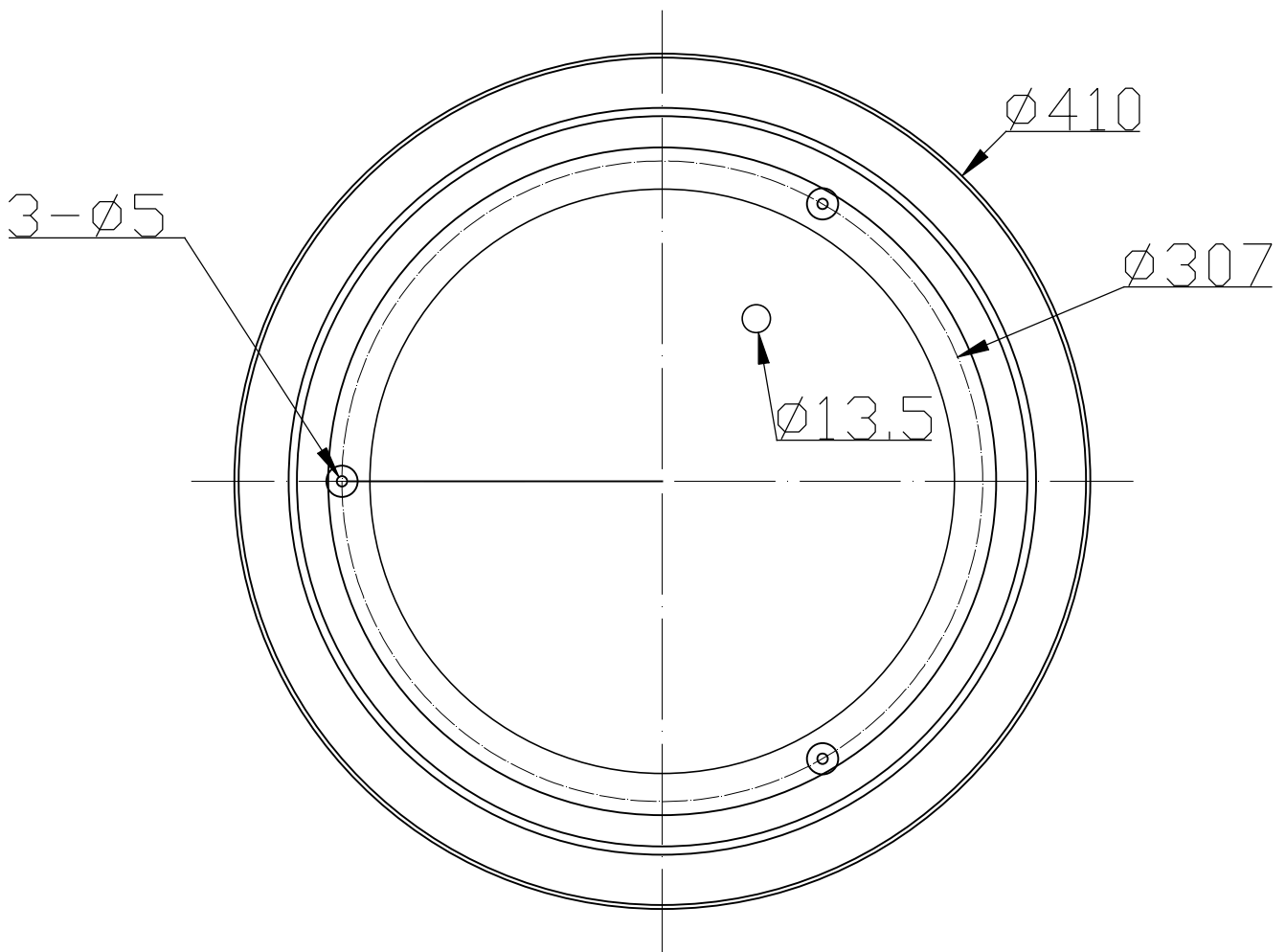
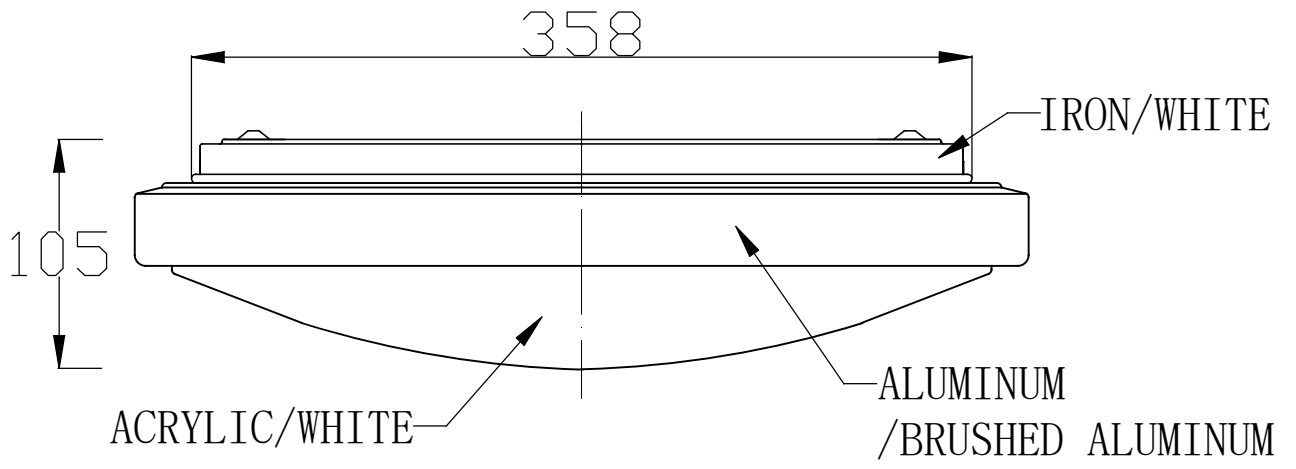
Luminaire
 Code DE-0314-ALU
 Name PLAFON GRANDE
Measur.
 Code CL116A17F305G
 Name PLAFON GRANDE

Luminaire Flux	1820.55 lm	Luminaire Power	23.70 W	Efficacy	76.82 lm/W	Efficiency	100.00%
Lamps Flux	1820.55 lm	Maximum value	297.91 cd/klm	Position	C=0.00 G=0.00	CG	Double Symmetrical

		Average Luminance [cd/m ²]									
		45°	50°	55°	60°	65°	70°	75°	80°	85°	
0.0°	4190	4027	3840	3635	3401	3148	2908	2723	2643	---	
90.0°	4194	4033	3853	3642	3408	3160	2922	2745	2662	---	

Flush mounted or transversal view												
		Illumination(lx)										
A	A	2000	1000	750	500		<300				1.15	
B	1		2000	1500	1000	750	500	<300			1.5	
C					2000		1000	500	<300		1.85	
D	2						2000	1000	500	<300	2.2	
E	3							2000	1000	500	<300	2.55



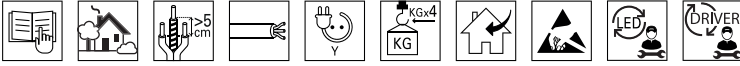




Tempo

DE-0313 DE-0314

FOR
LIGHT



DE-0314

