



**Bas**

Installation Instructions  
3D File  
Revit



## DE-0442-SAT

Reading lights Bas GU10 7W Satin nickel

### TECHNICAL FEATURES



Power (W) : Max. power 7W

Total power consumption of light (W) : 7W

Structure material : Steel

Structure finish : Satin nickel

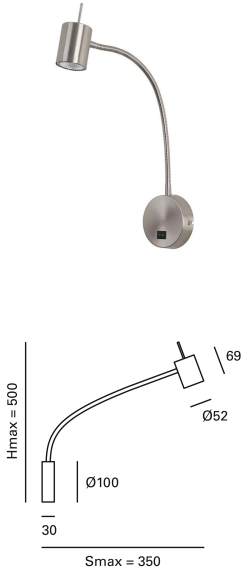
Recommended light bulb : GU10

Voltage / frequency : 100-240V/50-60Hz

Warranty : 5 Years

Max. temperature : 25°C

Energy efficiency : Light bulb not included



### LUMINOTECHNIC FEATURES

Lampholder: 1 x GU10

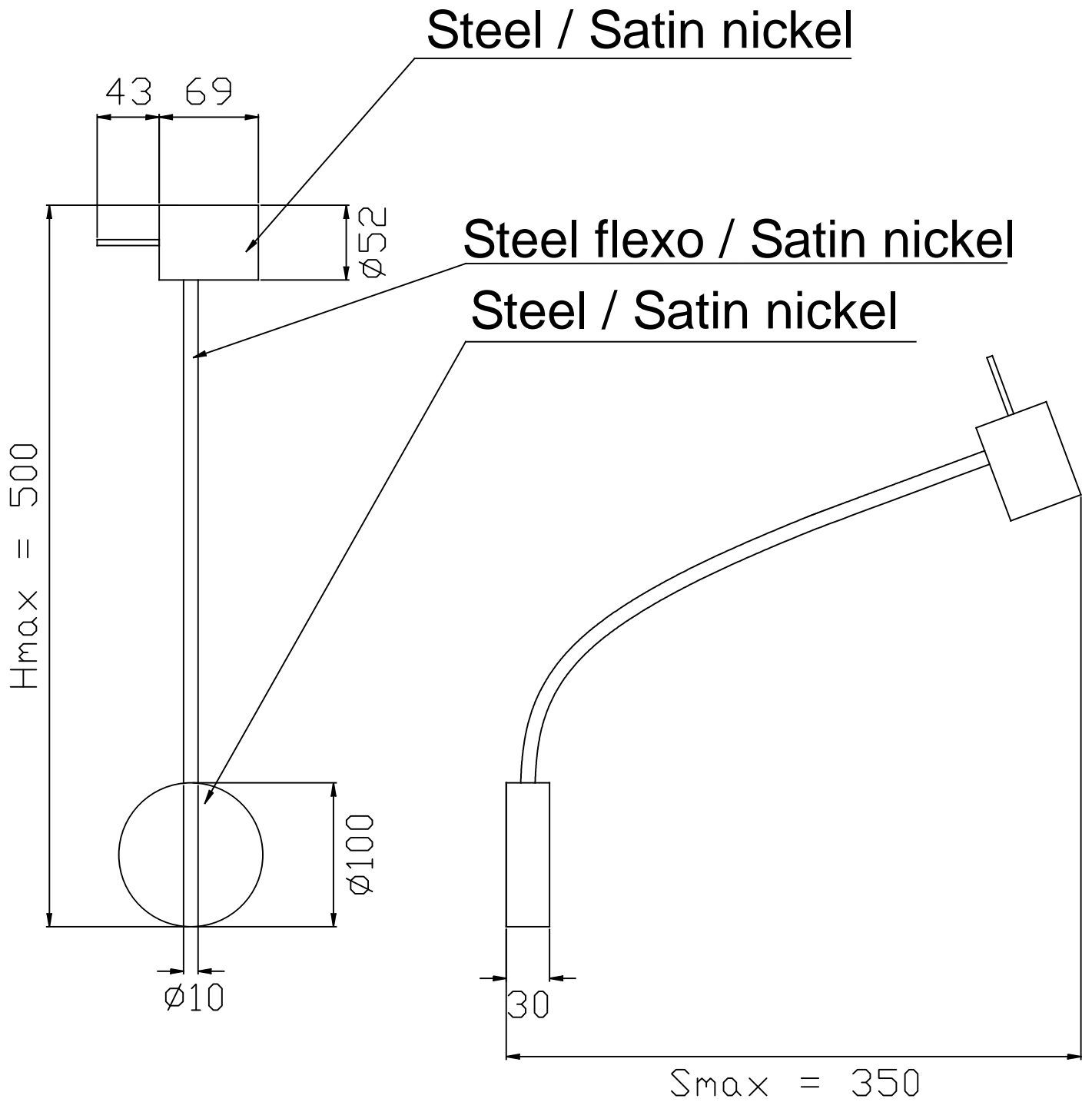
### LOGISTICS

Net weight (kg): 0.39

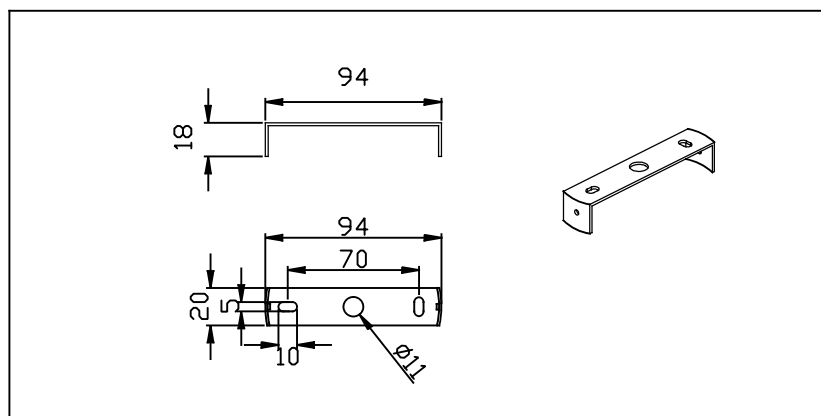
Packaged weight (kg): 0.56

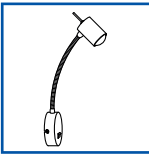
Packaging: 150mm x 105mm x 165mm





### INSTALLATION TEMPLATE





# Bas

DE-0442

FOR  
LIGHT

