




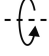

Keeper Double

DE-0480-NEG

Spotlight IP20 Keeper Double GU10 7W Black

TECHNICAL FEATURES



IP20   355°  90°

Power (W) : Max. power 7W

Voltage / frequency : 100-240V/50-60Hz

Total power consumption of light (W) : 14W

Max. temperature : 25°C

Structure material : Steel

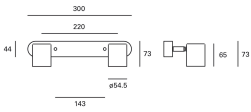
Warranty : 5 Years

Structure finish : Black

Energy efficiency : Light bulb not included

Max. size of light bulb : 64/50 mm

Recommended light bulb : GU10



LUMINOTECHNIC FEATURES

Lampholder: 2 x GU10

VENTILATION FEATURES

Power used: 14W

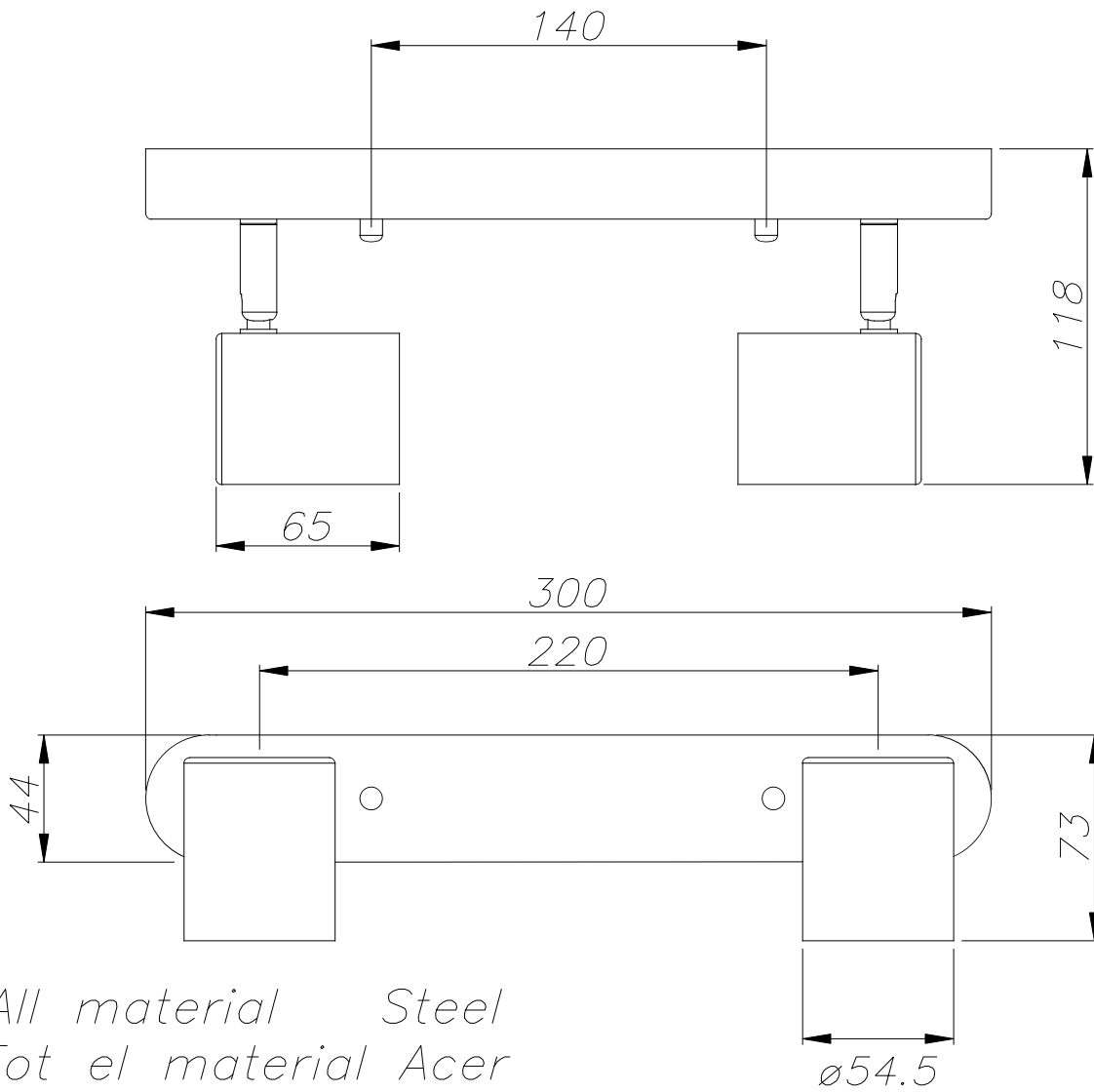
Service value measurement standard: EN 60879:2019

LOGISTICS

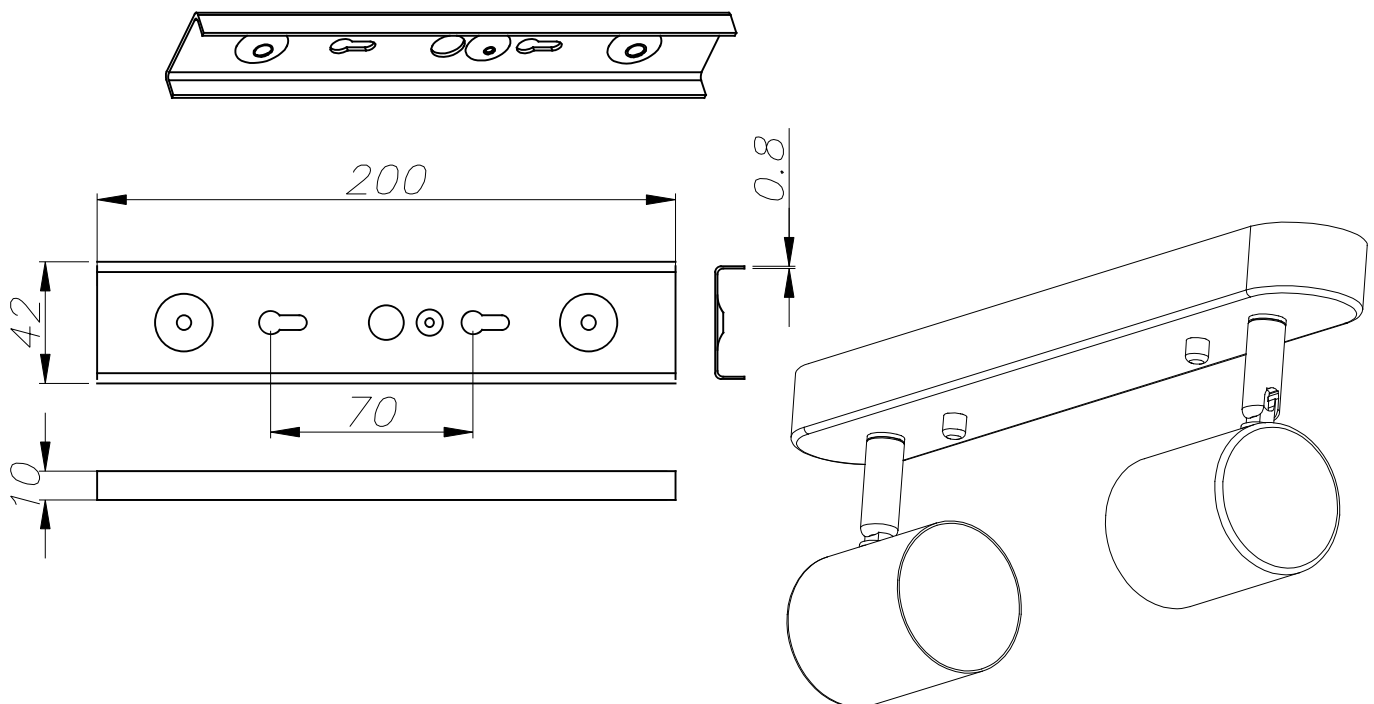
Net weight (kg): 0.5

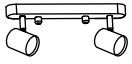
Packaged weight (kg): 0.63

 12 Un



All material Steel
 Tot el material Acer

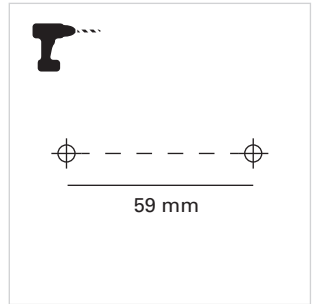
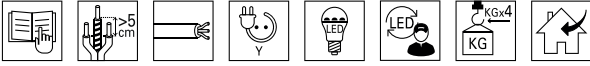




Keeper

DE-0480

FOR
LIGHT



1

2

3

4

5

6

