

**TECHNICAL FEATURES**



Luminaire total power : 9.9W

Real lumens : 423

Nominal lumens : 470

Real lm/W : 43

Lens / reflector angle : HORIZONTAL 120°

Structure material : Aluminium

Structure finish : Black

Voltage / frequency : 100-240V ~ 50/60Hz

Power Factor : 0.98

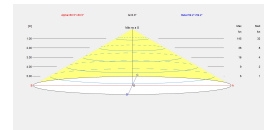
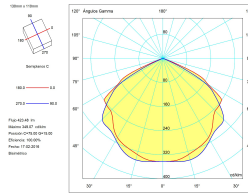
Useful life : 36.000h L70B30

Warranty : 3 Years

Easily recyclable luminaire

**LUMINOTECHNIC FEATURES**

Lampholder	Quantity	Light source power (W)	Correlated Colour Temperature (CCT)
LED	1	8W	green



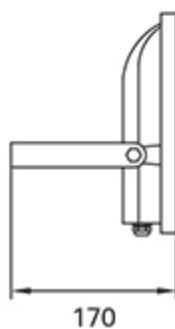
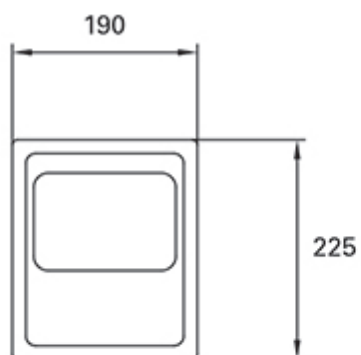
**LOGISTICS**

Net weight (kg): 0.47

Packaged weight (kg): 0.54

Packaging: 120mm x 50mm x 150mm





**Luminaire**

Code PX-0112-NEG  
 Name Foco ADVANCE green led 10W

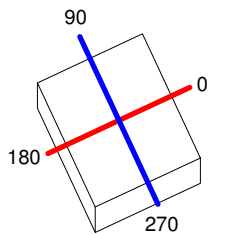
**Measurement**

Code PX-0112-NEG  
 Name Foco ADVANCE green led 10W

Luminaire Flux	423.48 lm	Luminaire Power	10.00 W	Efficacy	42.35 lm/W	Efficiency	100.00%
Lamps Flux	423.48 lm	Maximum value	147.82 cd	Position	C=75.00 G=15.00	CG	Double Symmetrical
Rectangular Luminaire Rectangular Luminous Area	Length Length	130 mm 60 mm	Width Width	110 mm 70 mm	Height Height	40 mm 0 mm	
Horizontal Luminous Area Emitting area on Plane 0° Emitting area on Plane 90°	0.004200 m2 0.000000 m2 0.000000 m2	Emitting area on Plane 180° Emitting area on Plane 270° Glare area at 76°	0.000000 m2 0.000000 m2 0.001016 m2				
Coordinate system Date Measurement Distance	CG 17-02-2016 0.00	Symmetry Type Maximum Gamma Angle Measurement Flux	Double Symmetrical 90 423.48 lm				
Operator Temperature Humidity Notes	Asselum T3 25.00 °C 60.00 %	Source Voltage [V] Source current [A] Photocell					

Line	Code	Luminaire Lamps		Flux [lm]	Pow. [W]	Q.ty
		Name				
	PX-0112-NEG	PX-0112-NEG - 10.00 W		423.48	10.00	1
C.I.E. F UTE	49 87 100 100 100 1.00 D	D DIN 5040 B NBN	A30 BZ 4 / 2 / BZ 3			

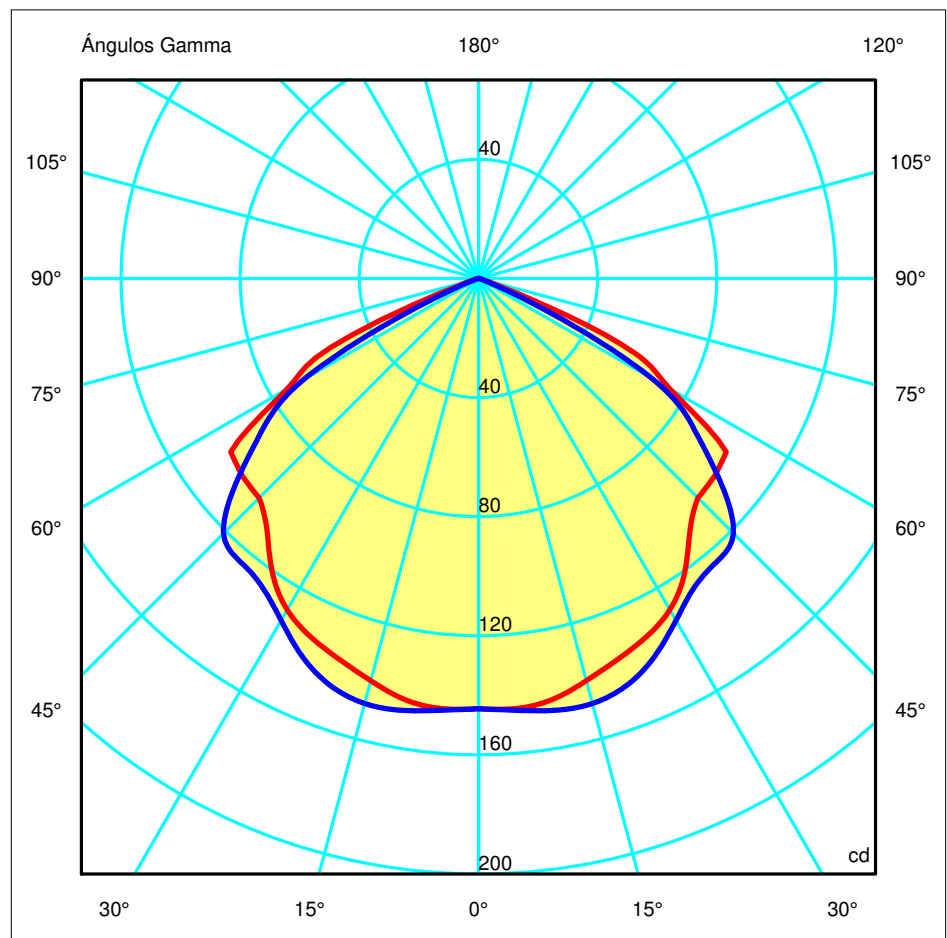
130mm x 110mm



Semiplanos C

180.0 — 0.0  
 270.0 — 90.0

ULOR 0.00 %  
 DLOR 100.00 %  
 RN 0.00 %



**Luminaire**

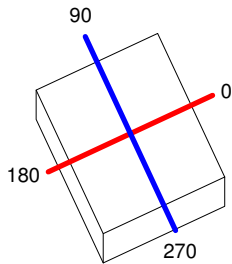
Code PX-0112-NEG  
 Name Foco ADVANCE green led 10W

**Measurem.**

Code PX-0112-NEG  
 Name Foco ADVANCE green led 10W

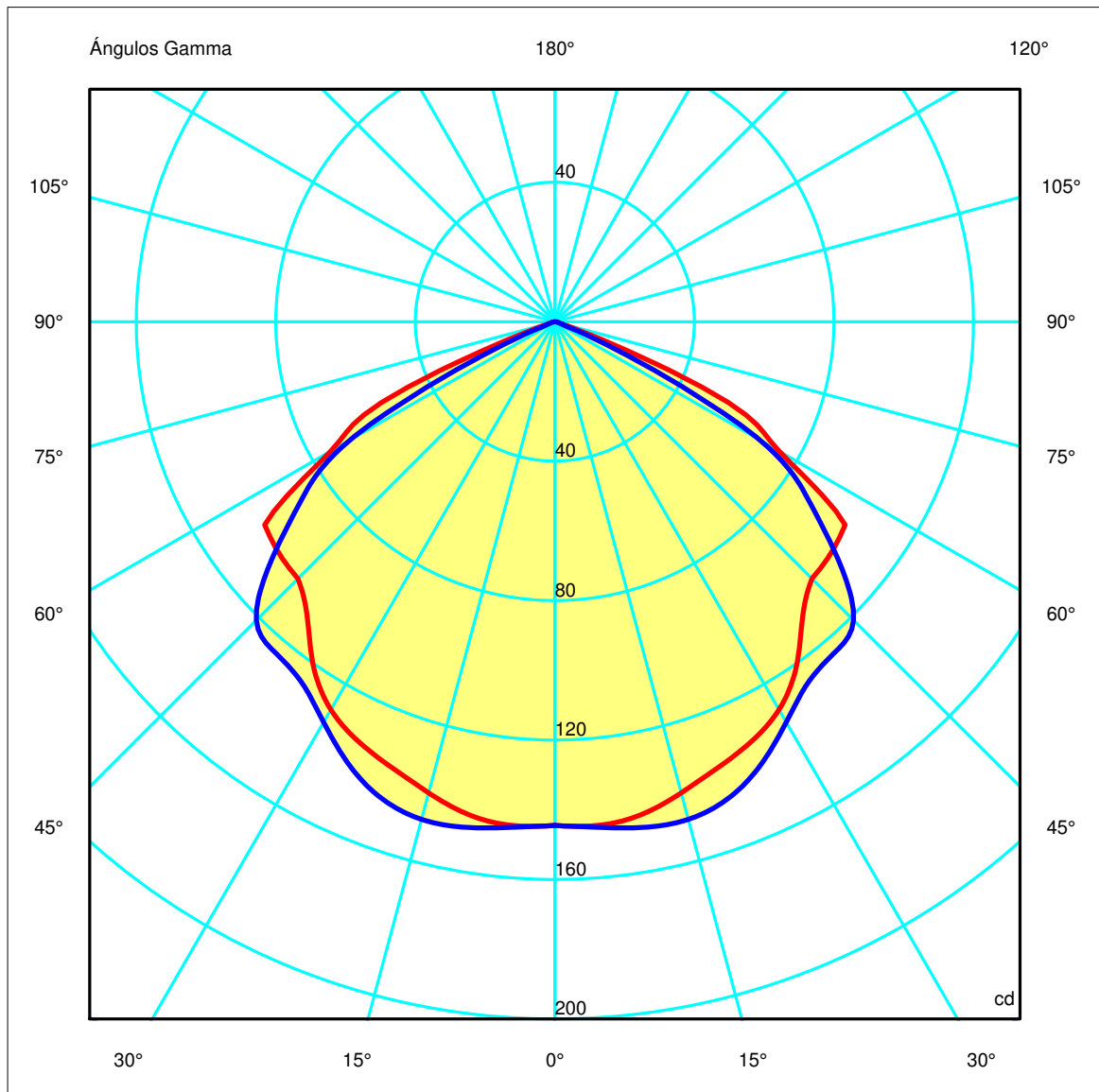
Luminaire Flux	423.48 lm	Luminaire Power	10.00 W	Efficacy	42.35 lm/W	Efficiency	100.00%
Lamps Flux	423.48 lm	Maximum value	147.82 cd	Position	C=75.00 G=15.00	CG	Double Symmetrical

130mm x 110mm



Semiplanos C

180.0 ——— 0.0  
 270.0 ——— 90.0



**Luminaire**

Code PX-0112-NEG  
 Name Foco ADVANCE green led 10W

**Measur.**

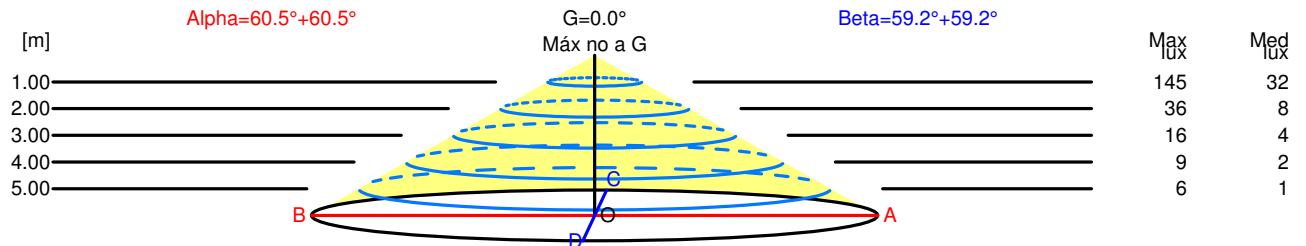
Code PX-0112-NEG  
 Name Foco ADVANCE green led 10W

Luminaire Flux	423.48 lm	Luminaire Power	10.00 W	Efficacy	42.35 lm/W	Efficiency	100.00%
Lamps Flux	423.48 lm	Maximum value	147.82 cd	Position	C=75.00 G=15.00	CG	Double Symmetrical

Width at 50.00 % of Max Intensity

H[m]	1.00	2.00	3.00	4.00	5.00	H[m]	1.00	2.00	3.00	4.00	5.00
OA	1.77	3.53	5.30	7.06	8.83	OC	1.68	3.35	5.03	6.71	8.39
OB	1.77	3.53	5.30	7.06	8.83	OD	1.68	3.35	5.03	6.71	8.39

	Luminous Intensities [ cd ]									
	0	5	15	25	35	45	55	65	75	85
OA	144.47	144.95	139.85	132.96	120.68	104.19	101.55	54.81	1.34	0.28
OB	144.47	144.95	139.85	132.96	120.68	104.19	101.55	54.81	1.34	0.28
OC	144.47	145.52	147.73	139.98	126.46	121.04	88.48	23.05	1.30	0.37
OD	144.47	145.52	147.73	139.98	126.46	121.04	88.48	23.05	1.30	0.37



H[m]	D[m]	Max lux	Med lux	Alpha=60.5°+60.5°	G=0.0 Máx no a G
1.00	3.53	145	32		
2.00	7.06	36	8		
3.00	10.59	16	4		
4.00	14.13	9	2		
5.00	17.66	6	1		

H[m]	D[m]	Max lux	Med lux	Beta=59.2°+59.2°	G=0.0 Máx no a G
1.00	3.35	145	32		
2.00	6.71	36	8		
3.00	10.06	16	4		
4.00	13.42	9	2		
5.00	16.77	6	1		

**Luminaire**

Code PX-0112-NEG  
 Name Foco ADVANCE green led 10W

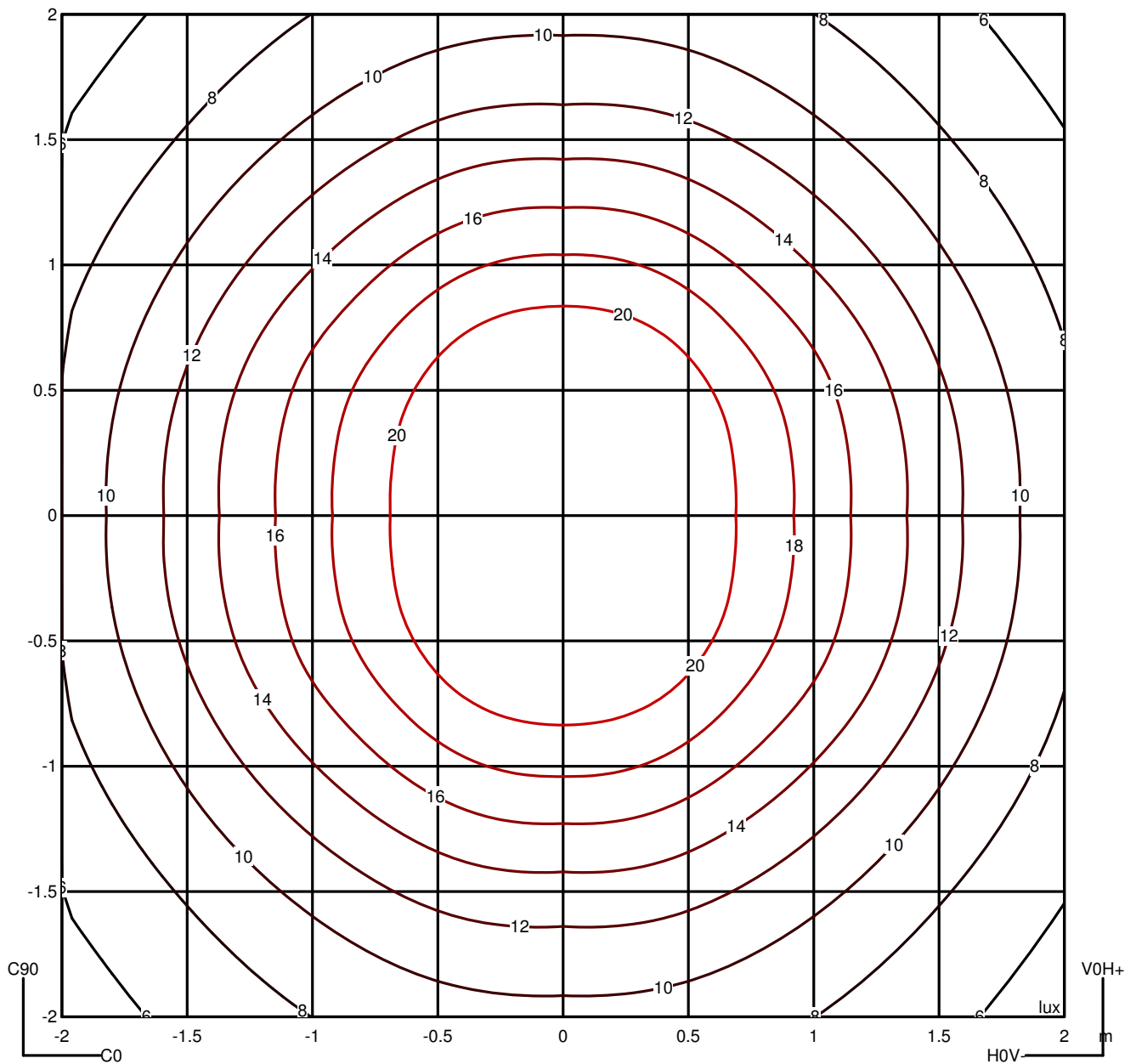
**Measur.**

Code PX-0112-NEG  
 Name Foco ADVANCE green led 10W

Luminaire Flux	423.48 lm	Luminaire Power	10.00 W	Efficacy	42.35 lm/W	Efficiency	100.00%
Lamps Flux	423.48 lm	Maximum value	147.82 cd	Position	C=75.00 G=15.00	CG	Double Symmetrical

Isolux (Floor)

Luminaire position X=0.00m Y=0.00m Z=2.50m



**Luminaire**

Code PX-0112-NEG  
Name Foco ADVANCE green led 10W

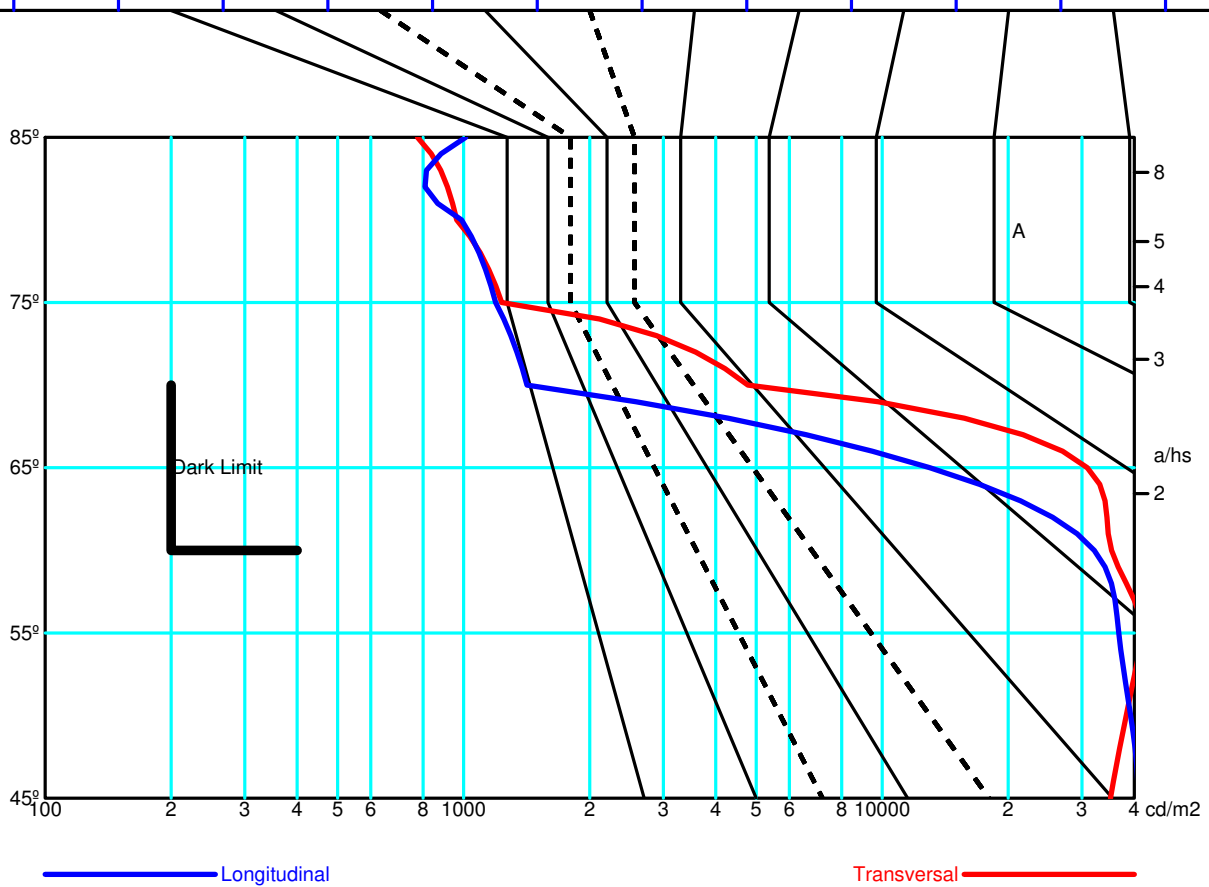
**Measurment**

Code PX-0112-NEG  
Name Foco ADVANCE green led 10W

Luminaire Flux	423.48 lm	Luminaire Power	10.00 W	Efficacy	42.35 lm/W	Efficiency	100.00%
Lamps Flux	423.48 lm	Maximum value	147.82 cd	Position	C=75.00 G=15.00	CG	Double Symmetrical

		Average Luminance [cd/m <sup>2</sup> ]									
		45°	50°	55°	60°	65°	70°	75°	80°	85°	
0.0°		35084	38289	42154	35322	30879	4775	1233	962	775	---
90.0°		40756	39230	36730	32110	12989	1417	1192	989	1012	---

Flujo montado o vista longitudinal												
		Iluminancia (lx)										
A	A	2000	1000	750	500		<300					1.15
B	1		2000	1500	1000	750	500	<300				1.5
C					2000		1000	500	<300			1.85
D	2						2000	1000	500	<300		2.2
E	3							2000	1000	500	<300	2.55



**Luminaire**

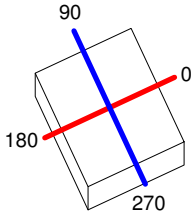
Code PX-0112-NEG  
 Name Foco ADVANCE green led 10W

**Measurem.**

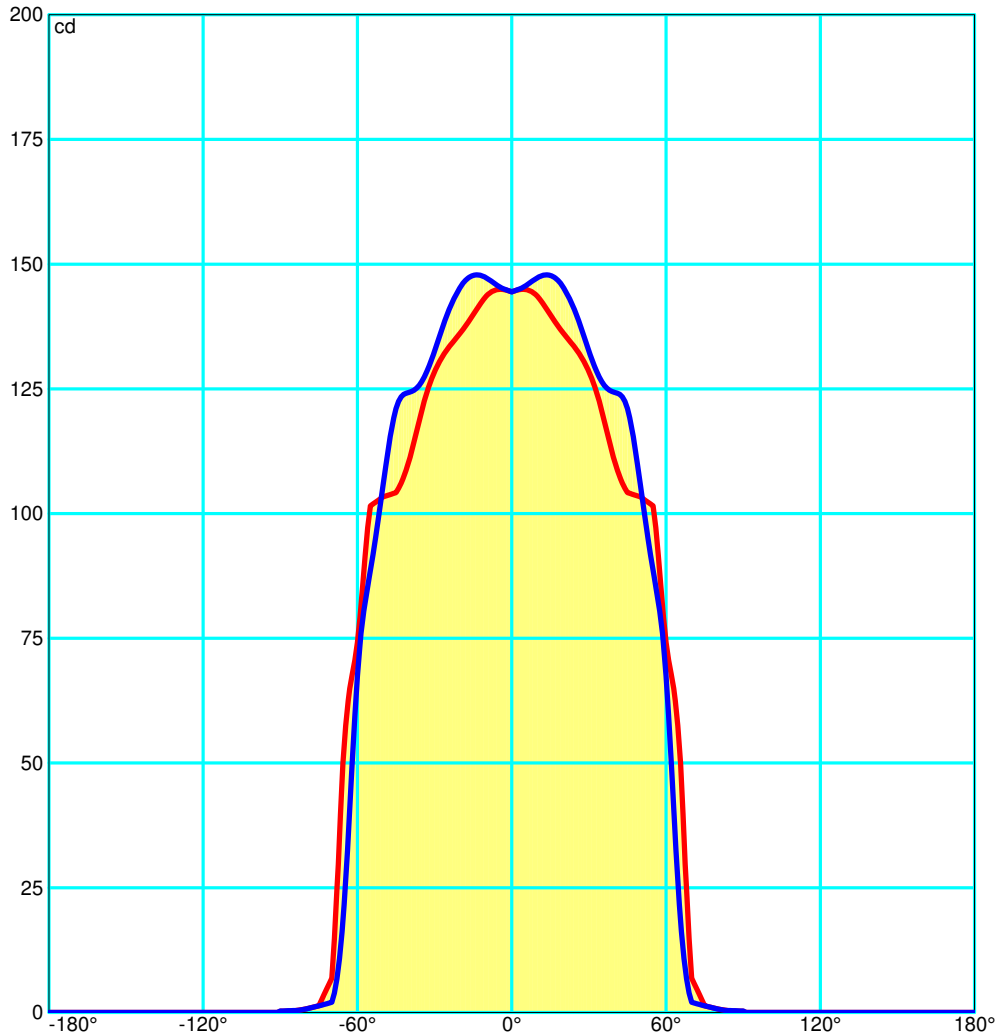
Code PX-0112-NEG  
 Name Foco ADVANCE green led 10W

Luminaire Flux	423.48 lm	Luminaire Power	10.00 W	Efficacy	42.35 lm/W	Efficiency	100.00%
Lamps Flux	423.48 lm	Maximum value	147.82 cd	Position	C=75.00 G=15.00	CG	Double Symmetrical

130mm x 110mm



Semiplanos C  
 180.0 ——— 0.0  
 270.0 ——— 90.0





**Luminaire**

Code PX-0112-NEG  
 Name Foco ADVANCE green led 10W

**Measurement**

Code PX-0112-NEG  
 Name Foco ADVANCE green led 10W

Luminaire Flux	423.48 lm	Luminaire Power	10.00 W	Efficacy	42.35 lm/W	Efficiency	100.00%
Lamps Flux	423.48 lm	Maximum value	147.82 cd	Position	C=75.00 G=15.00	CG	Double Symmetrical

**UGR**  
 S = 0.250

Reflectancies										
Ceiling/Cavity	0.7	0.7	0.5	0.5	0.3	0.7	0.7	0.5	0.5	0.3
Walls	0.5	0.3	0.5	0.3	0.3	0.5	0.3	0.5	0.3	0.3
WorkingPlane	0.2	0.2	0.2	0.2	0.2	0.2	0.2	0.2	0.2	0.2
RoomDimensions	ViewedCrosswise					ViewedEndwise				
x=2H y=2H	25.9	27.2	26.2	27.4	27.1	25.4	26.6	25.7	26.9	27.1
x=2H y=3H	26.5	27.6	26.8	27.9	27.1	25.4	26.5	25.7	26.8	27.1
x=2H y=4H	26.4	27.5	26.7	27.7	26.9	25.3	26.4	25.6	26.6	26.9
x=2H y=6H	26.3	27.3	26.7	27.6	26.8	25.2	26.2	25.6	26.5	26.8
x=2H y=8H	26.3	27.2	26.7	27.5	26.7	25.2	26.1	25.6	26.4	26.7
x=2H y=12H	26.2	27.1	26.6	27.5	26.7	25.1	26.0	25.5	26.4	26.7
x=4H y=2H	26.7	27.8	27.1	28.1	27.9	26.3	27.3	26.6	27.6	27.9
x=4H y=3H	27.3	28.2	27.7	28.6	27.9	26.3	27.2	26.7	27.6	27.9
x=4H y=4H	27.3	28.1	27.7	28.4	27.8	26.3	27.0	26.7	27.4	27.8
x=4H y=6H	27.2	27.9	27.6	28.3	27.6	26.2	26.9	26.6	27.3	27.6
x=4H y=8H	27.2	27.8	27.6	28.2	27.6	26.2	26.8	26.6	27.2	27.6
x=4H y=12H	27.1	27.7	27.6	28.1	27.5	26.1	26.7	26.6	27.1	27.5
x=8H y=4H	27.2	27.8	27.6	28.2	27.7	26.3	26.9	26.7	27.3	27.7
x=8H y=6H	27.1	27.6	27.6	28.1	27.6	26.2	26.7	26.6	27.1	27.6
x=8H y=8H	27.1	27.5	27.6	28.0	27.5	26.2	26.6	26.6	27.0	27.5
x=8H y=12H	27.1	27.5	27.6	27.9	27.5	26.1	26.5	26.6	27.0	27.5
x=12H y=4H	27.2	27.7	27.6	28.1	27.6	26.2	26.8	26.7	27.2	27.6
x=12H y=6H	27.1	27.5	27.6	28.0	27.5	26.2	26.6	26.6	27.0	27.5
x=12H y=8H	27.1	27.5	27.6	27.9	27.5	26.1	26.5	26.6	27.0	27.5

**Luminaire**

Code PX-0112-NEG  
 Name Foco ADVANCE green led 10W

**Measurment**

Code PX-0112-NEG  
 Name Foco ADVANCE green led 10W

Luminaire Flux	423.48 lm	Luminaire Power	10.00 W	Efficacy	42.35 lm/W	Efficiency	100.00%
Lamps Flux	423.48 lm	Maximum value	147.82 cd	Position	C=75.00 G=15.00	CG	Double Symmetrical

Flujo Total=423.48 Flujo Luminaria=423.48

RI	0.60	0.80	1.00	1.25	1.50	2.00	2.50	3.00	4.00	5.00	10.00	20.00
DRR	0.30	0.41	0.49	0.57	0.63	0.72	0.78	0.82	0.86	0.89	0.94	0.97
RC	5	5	4	4	4	4	4	4	3	3	3	4

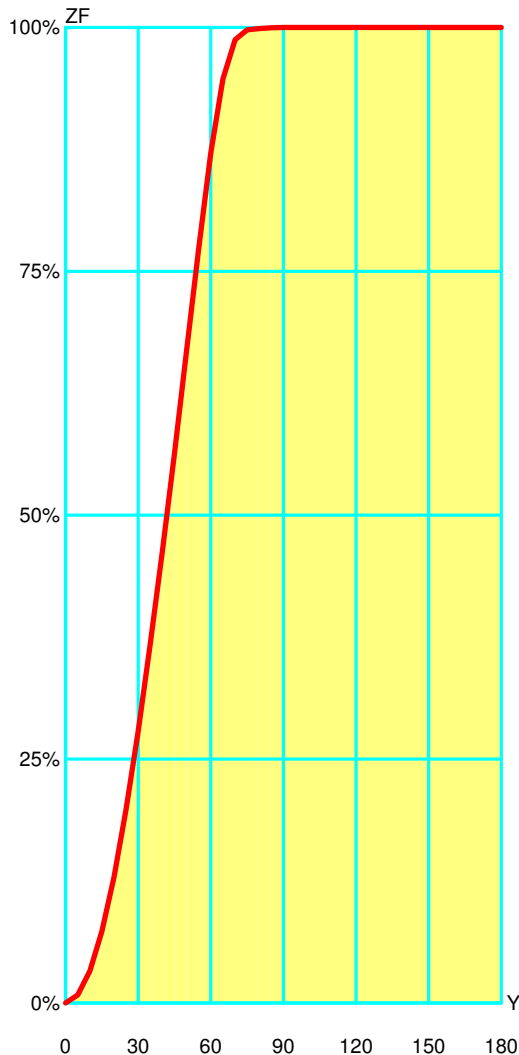
Flujo Zonal por 1000 Lúmenes

Y°	10	20	30	40	50	60	70	80	90	100	110	120	130	140	150	160	170	180
ZF(Y)	33	129	279	463	669	871	987	999	1000	1000	1000	1000	1000	1000	1000	1000	1000	1000

Códigos de Flujo C.I.E.  
 49 87 100 100 100

C.I.E. 5/5/4/4/4/4/4/3/3/3/4  
 D DIN 5040 A30  
 F UTE 1.00 D  
 B NBN BZ 4 / 2 / BZ 3  
 RN 0.00000 %  
 BLF 1.0

LOR 99.99976 %  
 ULOR 0.00000 %  
 DLOR 99.99976 %  
 UFF 0.00000 %  
 DFF 100.00000 %  
 FFR 0.00000 %



Gamma °	Flujo Zonal			
	Flujo	Suma lm	Flujo [%]	Suma [%]
0°	0.00	0.00	0.00%	0.00 %
5°	8.18	8.18	0.82 %	0.82 %
10°	24.62	32.81	2.46 %	3.28 %
15°	40.75	73.55	4.07 %	7.36 %
20°	55.79	129.34	5.58 %	12.93 %
25°	69.20	198.54	6.92 %	19.85 %
30°	80.43	278.97	8.04 %	27.90 %
35°	88.98	367.95	8.90 %	36.80 %
40°	95.31	463.26	9.53 %	46.33 %
45°	100.73	563.99	10.07 %	56.40 %
50°	104.68	668.67	10.47 %	66.87 %
55°	105.10	773.77	10.51 %	77.38 %
60°	97.34	871.11	9.73 %	87.11 %
65°	76.02	947.12	7.60 %	94.71 %
70°	40.21	987.33	4.02 %	98.73 %
75°	10.17	997.50	1.02 %	99.75 %
80°	1.39	998.89	0.14 %	99.89 %
85°	0.73	999.62	0.07 %	99.96 %
90°	0.38	1000.00	0.04 %	100.00 %
95°	0.00	1000.00	0.00 %	100.00 %
100°	0.00	1000.00	0.00 %	100.00 %
105°	0.00	1000.00	0.00 %	100.00 %
110°	0.00	1000.00	0.00 %	100.00 %
115°	0.00	1000.00	0.00 %	100.00 %
120°	0.00	1000.00	0.00 %	100.00 %
125°	0.00	1000.00	0.00 %	100.00 %
130°	0.00	1000.00	0.00 %	100.00 %
135°	0.00	1000.00	0.00 %	100.00 %
140°	0.00	1000.00	0.00 %	100.00 %
145°	0.00	1000.00	0.00 %	100.00 %
150°	0.00	1000.00	0.00 %	100.00 %
155°	0.00	1000.00	0.00 %	100.00 %
160°	0.00	1000.00	0.00 %	100.00 %
165°	0.00	1000.00	0.00 %	100.00 %
170°	0.00	1000.00	0.00 %	100.00 %
175°	0.00	1000.00	0.00 %	100.00 %
180°	0.00	1000.00	0.00 %	100.00 %

**Luminaire**

Code PX-0112-NEG  
Name Foco ADVANCE green led 10W

**Measurerm.**

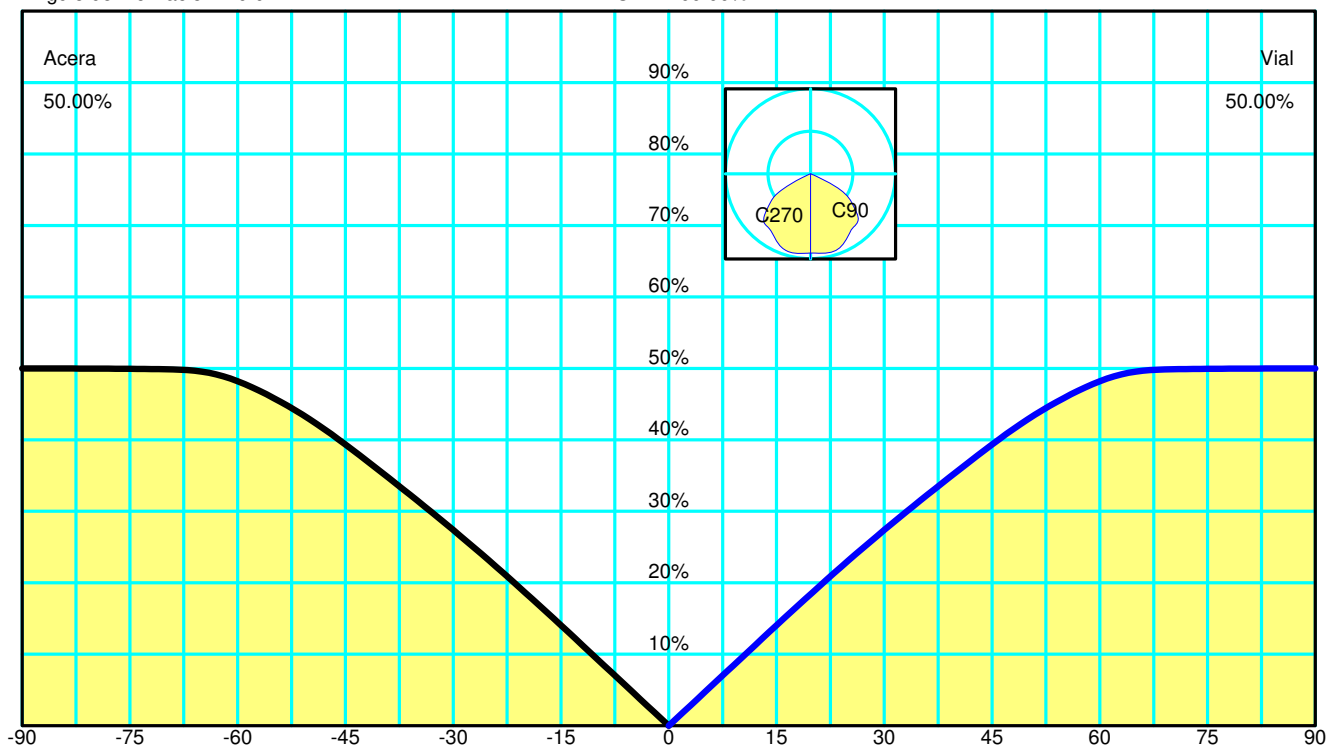
Code PX-0112-NEG  
Name Foco ADVANCE green led 10W

Luminaire Flux	423.48 lm	Luminaire Power	10.00 W	Efficacy	42.35 lm/W	Efficiency	100.00%
Lamps Flux	423.48 lm	Maximum value	147.82 cd	Position	C=75.00 G=15.00	CG	Double Symmetrical

Pavement			Road		
Piano	0	0.00%	Piano	0	0.00%
Piano	-5	4.68%	Piano	5	4.68%
Piano	-10	9.37%	Piano	10	9.37%
Piano	-15	14.04%	Piano	15	14.04%
Piano	-20	18.64%	Piano	20	18.64%
Piano	-25	23.10%	Piano	25	23.10%
Piano	-30	27.39%	Piano	30	27.39%
Piano	-35	31.50%	Piano	35	31.50%
Piano	-40	35.48%	Piano	40	35.48%
Piano	-45	39.35%	Piano	45	39.35%
Piano	-50	42.89%	Piano	50	42.89%
Piano	-55	45.86%	Piano	55	45.86%
Piano	-60	48.20%	Piano	60	48.20%
Piano	-65	49.55%	Piano	65	49.55%
Piano	-70	49.87%	Piano	70	49.87%
Piano	-75	49.94%	Piano	75	49.94%
Piano	-80	49.97%	Piano	80	49.97%
Piano	-85	49.99%	Piano	85	49.99%
Piano	-90	50.00%	Piano	90	50.00%

Ángulo de Inclinación = 0.0

DLOR = 100.00%



Spread	30.2° Estrecho	DLOR	99.99976 %
Throw	15.4° Corto	ULOR	0.00000 %
SLI (deslumbramiento)	Concentrado	Rendimiento	99.99976 %
Cutoff CIE	Cutoff - Max: C=75.0° Gamma=15.0°	RN	0.00000 %
Cutoff lesna	Cutoff	Clase de Intensidad Luminosa	G5
DIN5044	KB1	Índice de Deslumbramiento	D6

IESNA Type VS Very Short Quadrilateral Symmetry

**Luminaire**

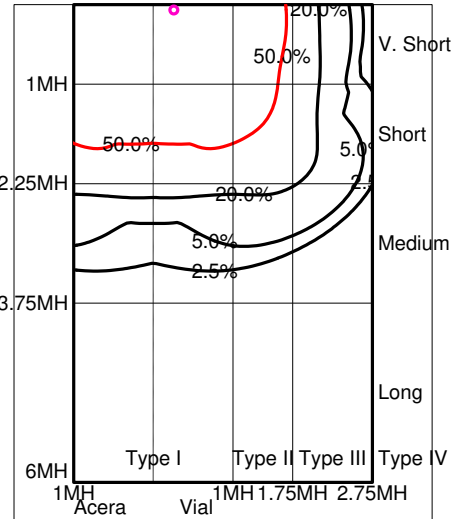
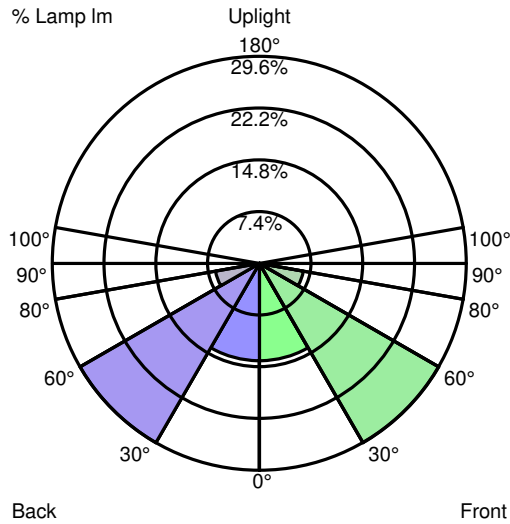
Code PX-0112-NEG  
 Name Foco ADVANCE green led 10W

**Measurerm.**

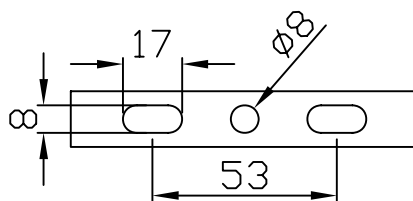
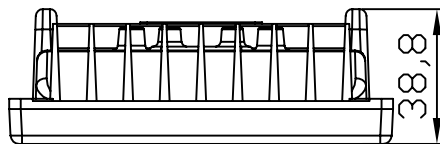
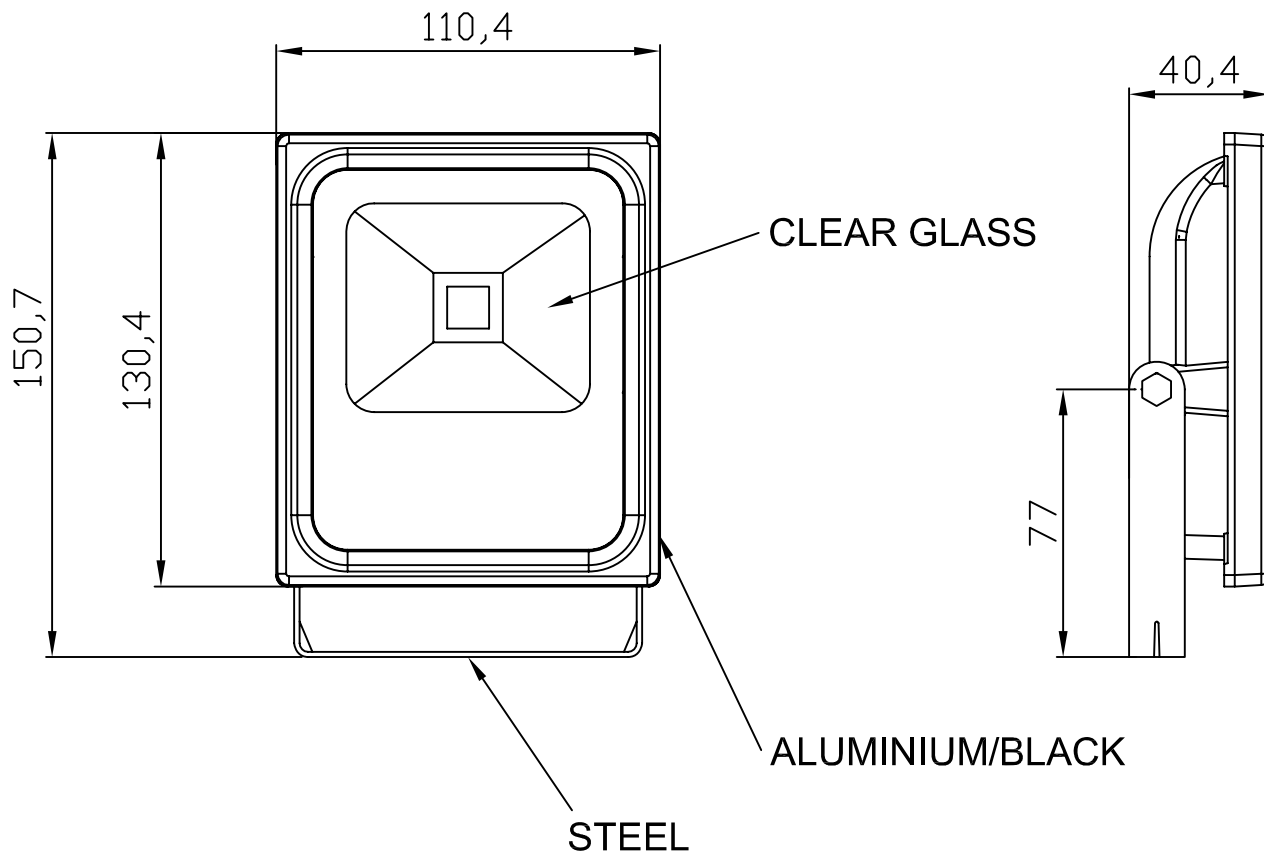
Code PX-0112-NEG  
 Name Foco ADVANCE green led 10W

Luminaire Flux	423.48 lm	Luminaire Power	10.00 W	Efficacy	42.35 lm/W	Efficiency	100.00%
Lamps Flux	423.48 lm	Maximum value	147.82 cd	Position	C=75.00 G=15.00	CG	Double Symmetrical

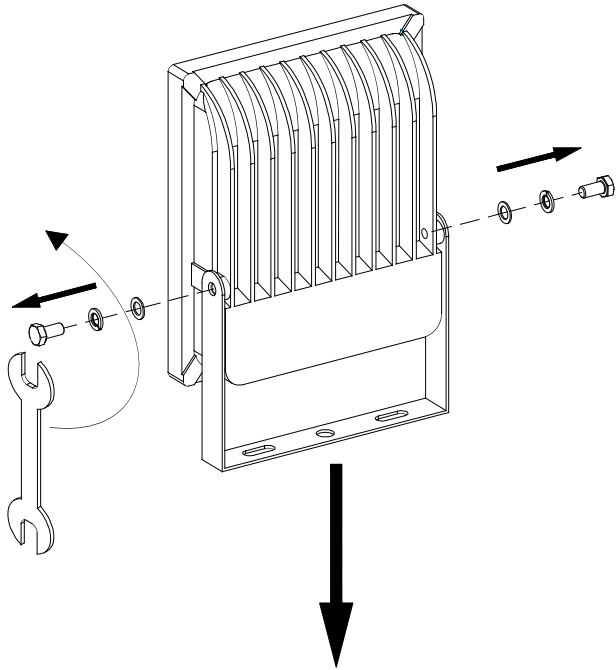
US ROAD STANDARDS



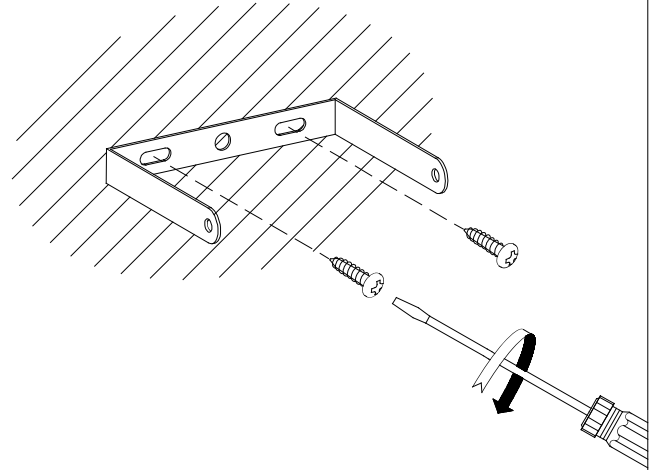
Luminaire Classification System (LCS)			
LCS Zone		Lumens	%Lamp
FL	0° -- 30°	59.0 lm	13.9 %
FM	30° -- 60°	125.5 lm	29.6 %
FH	60° -- 80°	27.0 lm	6.4 %
FVH	80° -- 90°	0.2 lm	0.1 %
BL	0° -- 30°	59.0 lm	13.9 %
BM	30° -- 60°	125.5 lm	29.6 %
BH	60° -- 80°	27.0 lm	6.4 %
BVH	80° -- 90°	0.2 lm	0.1 %
UL	90° -- 100°	0.0 lm	0.0 %
UH	100° -- 180°	0.0 lm	0.0 %
TOTALS		423.5 lm	100.0 %
BUG B0 U0 G0 Type VS Very Short Quadrilateral Symmetry			



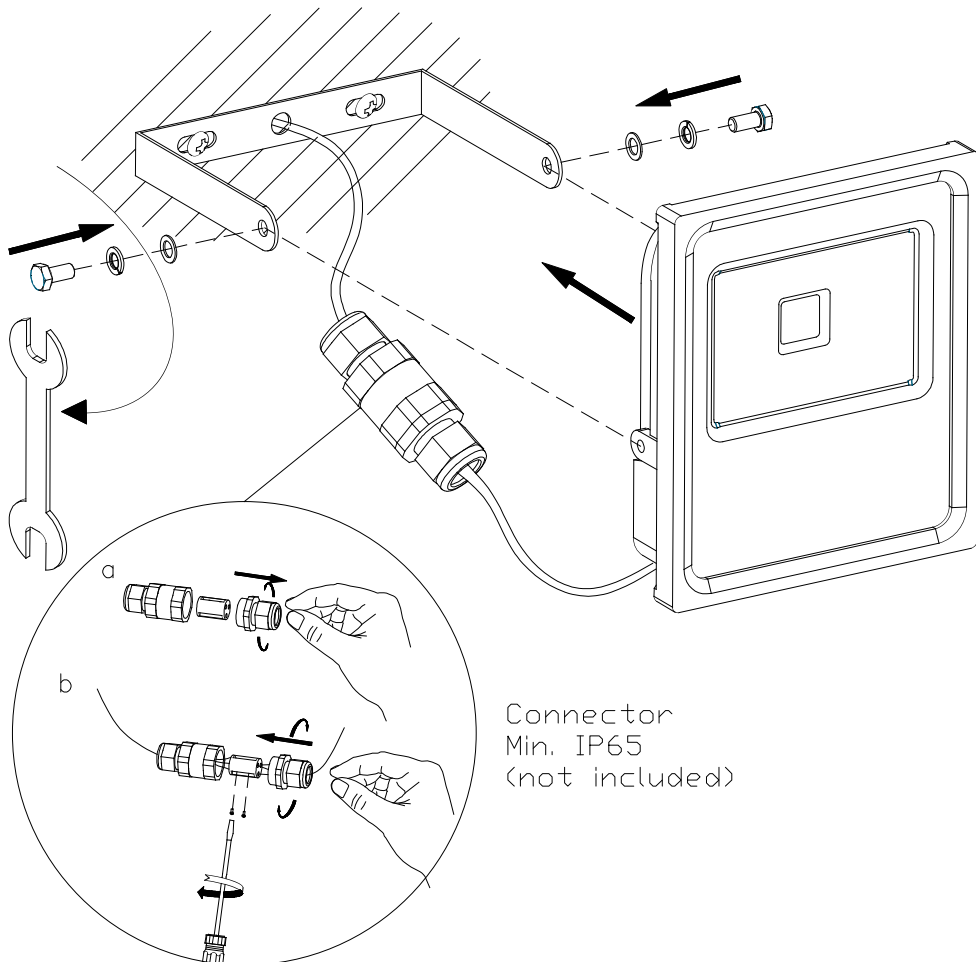
①



②



③



Connector  
Min. IP65  
(not included)