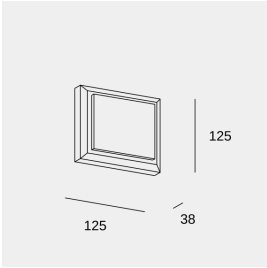


**Grove Diffuser Square PX-0129-NEG**

Surface-mounted wall light IP65 Grove Diffuser Square LED 2.5W 4000K ON-OFF Black 400.00

**TECHNICAL FEATURES**



IP65 IK10



Luminaire total power : 2.5W

Real lumens : 172

Nominal lumens : 400

Real lm/W : 69

Lens / reflector angle : HORIZONTAL 121°

Structure material : Polycarbonate + ABS

Structure finish : Black

Diffuser material : Polycarbonate

Diffuser finish : White

Voltage / frequency : 100-240V ~ 50/60Hz

Dimming protocol : ON-OFF

Useful life : 36.000h L70B30

Warranty : 5 Years

Resistant to marine environments : Yes

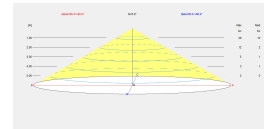
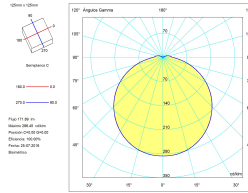
**LUMINOTECHNIC FEATURES**

CRI: 80

MacAdam steps: 3

Photobiological risk: RG0

Lampholder	Quantity	Light source power (W)	Correlated Colour Temperature (CCT)
LED	1	2W	4000K



**LOGISTICS**

Net weight (kg): 0.26

Packaged weight (kg): 0.31

Packaging: 135mm x 70mm x 135mm





**Luminaire**

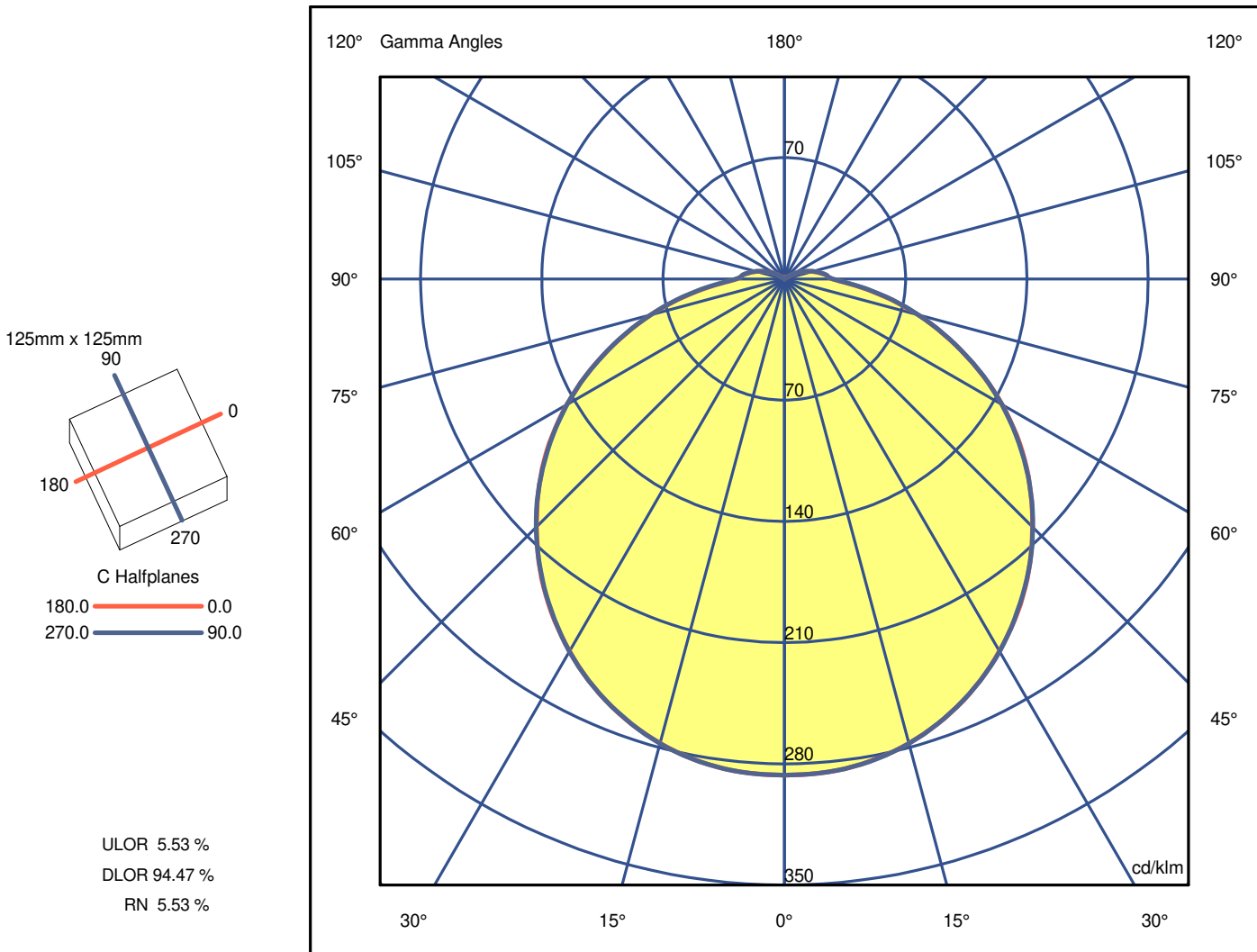
Code PX-0129-NEGV1  
Name GROVE

**Measurem.**

Code PX-0129-NEGV1  
Name GROVE

Luminaire Flux	171.89 lm	Luminaire Power	3.00 W	Efficacy	57.30 lm/W	Efficiency	100.00%
Sources Flux	171.89 lm	Maximum value	286.45 cd/klm	Position	C=0.00 G=0.00	CG	Double Symmetrical
Rectangular Luminaire		Length	125 mm	Width	125 mm	Height	35 mm
Rectangular Luminous Area		Length	80 mm	Width	80 mm	Height	10 mm
Horizontal Luminous Area	0.006400 m2			Emitting area on Plane 180°		0.000800 m2	
Emitting area on Plane 0°	0.000800 m2			Emitting area on Plane 270°		0.000800 m2	
Emitting area on Plane 90°	0.000800 m2			Glare area at 76°		0.002325 m2	
Coordinate system	CG			Symmetry Type		Double Symmetrical	
Date	25-07-2016			Maximum Gamma Angle		180	
Measurement Distance	0.00			Measurement Flux		171.89 lm	
Operator	Asselum T3			Rated Voltage			
Temperature	25.00 °C			Rated Current			
Humidity	60.00 %			Photocell			
Notes							

Line		Code		Luminaire Lamps		Flux [lm]	Pow. [W]	Q.ty
		PX-0129-NEGV1		Name PX-0129-NEG		171.89	3.00	1
C.I.E.	42 72 91 94 100			D DIN 5040		A31		
F UTE	0.94 G + 0.06 T			B NBN		BZ 5		





**Luminaire**

Code PX-0129-NEGV1  
Name GROVE

**Measurem.**

Code PX-0129-NEGV1  
Name GROVE

Luminaire Flux	171.89 lm	Luminaire Power	3.00 W	Efficacy	57.30 lm/W	Efficiency	100.00%
Sources Flux	171.89 lm	Maximum value	286.45 cd/klm	Position	C=0.00 G=0.00	CG	Double Symmetrical

**Luminous Intensity Table cd/klm Table 1/1**

	C 0.00	C 15.00	C 30.00	C 45.00	C 60.00	C 75.00	C 90.00
G 0.0	286.45	286.45	286.45	286.45	286.45	286.45	286.45
G 5.0	285.72	285.80	285.92	285.87	285.85	285.83	285.73
G 10.0	282.83	283.13	283.30	283.36	283.27	283.03	282.89
G 15.0	277.53	278.05	278.33	278.47	278.25	277.88	277.63
G 20.0	269.93	270.68	271.17	271.15	270.94	270.55	269.87
G 25.0	260.15	261.20	261.76	261.80	261.36	260.79	260.12
G 30.0	248.13	249.56	250.00	250.45	249.89	249.09	248.31
G 35.0	234.71	236.14	236.81	236.78	236.47	235.78	234.35
G 40.0	219.44	220.99	221.80	221.92	221.52	220.68	219.25
G 45.0	202.39	204.32	205.02	205.59	204.85	203.66	202.77
G 50.0	184.79	186.47	187.54	187.59	187.00	186.13	184.70
G 55.0	165.78	167.33	168.50	168.69	168.24	167.03	165.22
G 60.0	145.06	147.02	148.55	149.34	148.04	146.20	144.88
G 65.0	123.23	125.55	127.75	128.66	127.50	125.37	123.32
G 70.0	101.16	103.98	106.26	106.95	106.31	103.78	101.32
G 75.0	79.86	82.46	85.11	85.93	84.95	82.03	80.20
G 80.0	59.00	62.39	64.85	65.78	64.73	61.91	59.67
G 85.0	40.63	43.40	45.97	46.92	46.02	43.46	41.08
G 90.0	27.79	29.51	31.69	32.47	31.71	29.45	27.91
G 95.0	24.33	24.76	26.40	27.12	26.36	24.76	24.53
G100.0	20.61	19.86	20.59	21.22	20.64	19.96	20.90
G105.0	16.87	15.94	14.91	15.26	14.85	16.10	17.14
G110.0	13.02	12.22	9.46	9.45	9.52	12.38	13.28
G115.0	9.37	8.58	6.10	4.05	6.23	8.79	9.57
G120.0	5.87	5.14	3.06	1.03	3.08	5.26	5.96
G125.0	2.56	1.98	1.01	1.04	1.07	2.09	2.72
G130.0	0.95	0.98	1.01	1.04	1.07	1.08	1.05
G135.0	0.96	1.00	1.02	1.03	1.07	1.08	1.06
G140.0	0.98	1.01	1.02	1.03	1.07	1.08	1.07
G145.0	0.99	1.03	1.04	1.05	1.08	1.08	1.06
G150.0	1.00	1.04	1.05	1.06	1.08	1.08	1.06
G155.0	0.00	0.00	0.00	0.00	0.00	0.00	0.00
G160.0	0.00	0.00	0.00	0.00	0.00	0.00	0.00
G165.0	0.00	0.00	0.00	0.00	0.00	0.00	0.00
G170.0	0.00	0.00	0.00	0.00	0.00	0.00	0.00
G175.0	0.00	0.00	0.00	0.00	0.00	0.00	0.00
G180.0	0.00	0.00	0.00	0.00	0.00	0.00	0.00



**Luminaire**

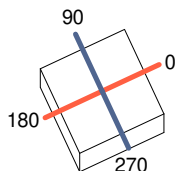
Code PX-0129-NEGV1  
 Name GROVE

**Measur.**

Code PX-0129-NEGV1  
 Name GROVE

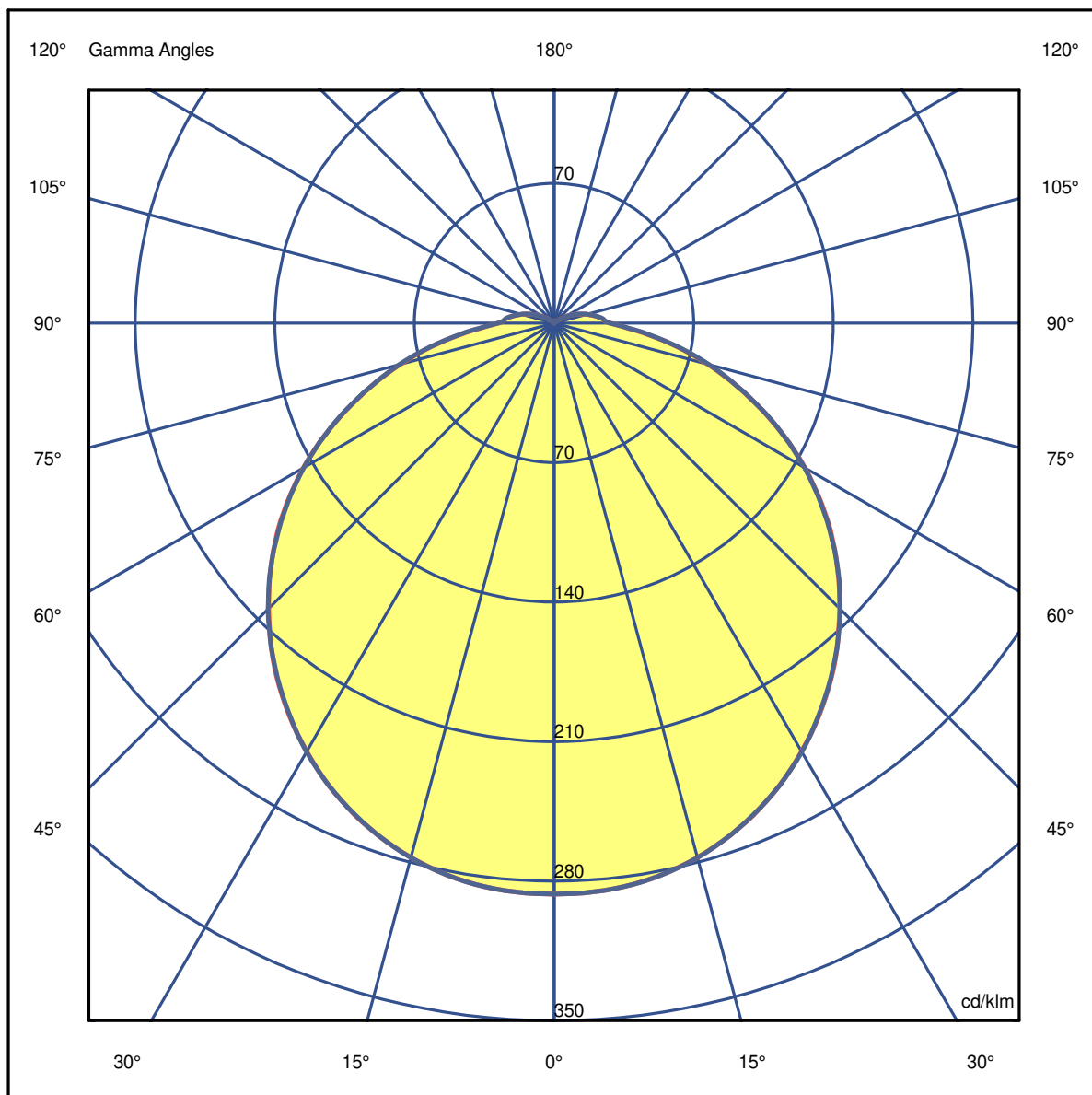
Luminaire Flux	171.89 lm	Luminaire Power	3.00 W	Efficacy	57.30 lm/W	Efficiency	100.00%
Sources Flux	171.89 lm	Maximum value	286.45 cd/klm	Position	C=0.00 G=0.00	CG	Double Symmetrical

125mm x 125mm



C Halfplanes

180.0 ——— 0.0  
 270.0 ——— 90.0





**Luminaire**

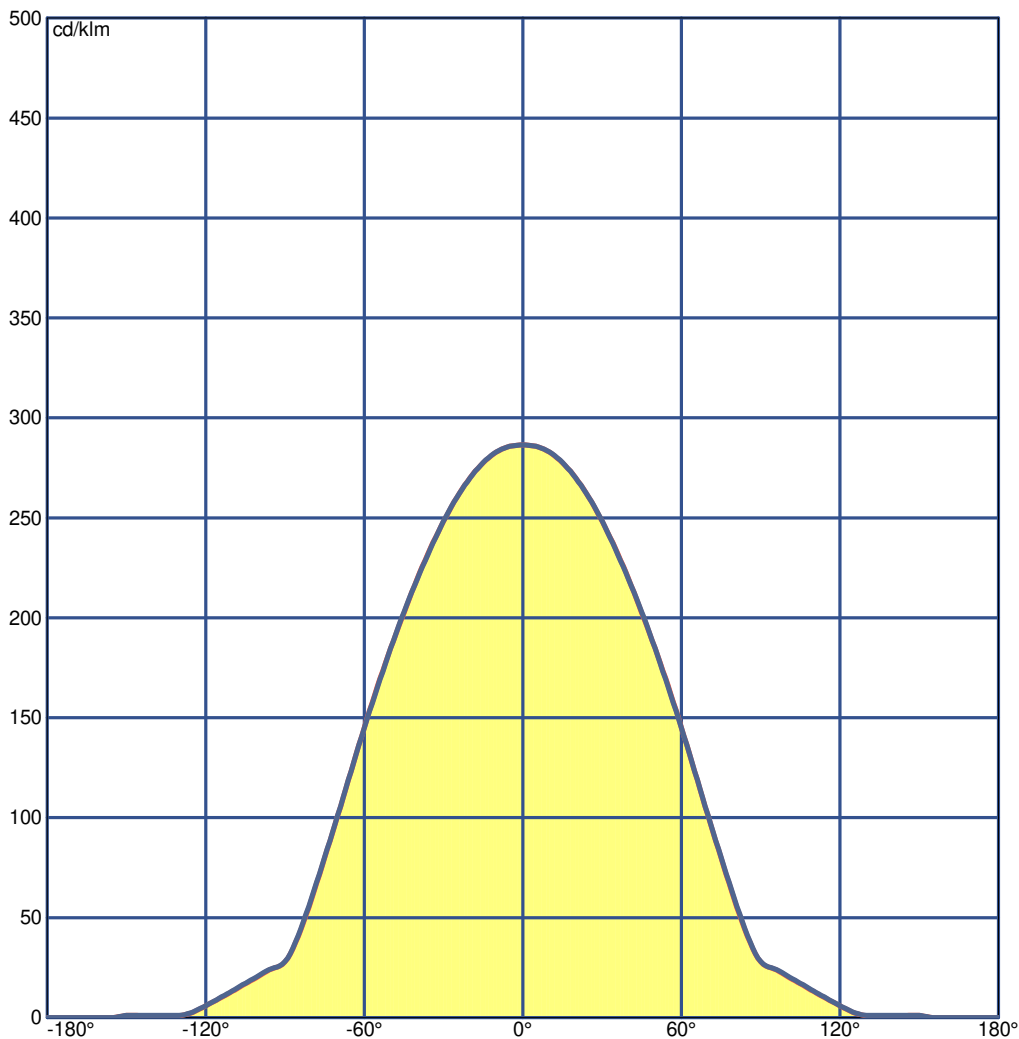
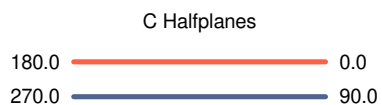
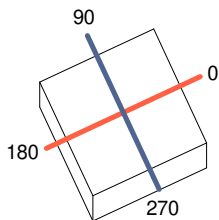
Code PX-0129-NEGV1  
Name GROVE

**Measurement**

Code PX-0129-NEGV1  
Name GROVE

Luminaire Flux	171.89 lm	Luminaire Power	3.00 W	Efficacy	57.30 lm/W	Efficiency	100.00%
Sources Flux	171.89 lm	Maximum value	286.45 cd/klm	Position	C=0.00 G=0.00	CG	Double Symmetrical

125mm x 125mm





**Luminaire**

Code PX-0129-NEGV1  
Name GROVE

**Measurerm.**

Code PX-0129-NEGV1  
Name GROVE

Luminaire Flux	171.89 lm	Luminaire Power	3.00 W	Efficacy	57.30 lm/W	Efficiency	100.00%
Sources Flux	171.89 lm	Maximum value	286.45 cd/klm	Position	C=0.00 G=0.00	CG	Double Symmetrical

**UGR**  
S = 0.250

Reflectancies										
Ceiling/Cavity	0.7	0.7	0.5	0.5	0.3	0.7	0.7	0.5	0.5	0.3
Walls	0.5	0.3	0.5	0.3	0.3	0.5	0.3	0.5	0.3	0.3
WorkingPlane	0.2	0.2	0.2	0.2	0.2	0.2	0.2	0.2	0.2	0.2
RoomDimensions	Viewed Crosswise					Viewed Endwise				
x=2H y=2H	18.5	19.9	18.9	20.2	20.6	18.5	19.9	18.9	20.2	20.6
x=2H y=3H	20.4	21.6	20.8	21.9	22.3	20.3	21.5	20.7	21.9	22.3
x=2H y=4H	21.2	22.3	21.6	22.7	23.1	21.2	22.3	21.6	22.7	23.1
x=2H y=6H	21.9	22.9	22.3	23.3	23.8	21.9	22.9	22.3	23.3	23.8
x=2H y=8H	22.2	23.2	22.6	23.6	24.0	22.1	23.2	22.6	23.6	24.0
x=2H y=12H	22.4	23.4	22.9	23.8	24.3	22.4	23.4	22.9	23.8	24.3
x=4H y=2H	19.4	20.5	19.8	20.9	21.3	19.3	20.5	19.8	20.9	21.3
x=4H y=3H	21.3	22.3	21.8	22.8	23.2	21.3	22.3	21.8	22.8	23.2
x=4H y=4H	22.3	23.2	22.8	23.6	24.1	22.3	23.2	22.8	23.6	24.1
x=4H y=6H	23.1	23.9	23.6	24.4	24.9	23.1	23.9	23.6	24.4	24.9
x=4H y=8H	23.5	24.2	24.0	24.7	25.3	23.5	24.2	24.0	24.7	25.3
x=4H y=12H	23.8	24.5	24.4	25.0	25.6	23.8	24.5	24.4	25.0	25.6
x=8H y=4H	22.7	23.5	23.3	23.9	24.5	22.7	23.4	23.2	23.9	24.5
x=8H y=6H	23.8	24.4	24.3	24.9	25.5	23.8	24.4	24.3	24.9	25.5
x=8H y=8H	24.3	24.8	24.8	25.3	25.9	24.3	24.8	24.8	25.3	25.9
x=8H y=12H	24.7	25.2	25.3	25.7	26.4	24.7	25.2	25.3	25.7	26.4
x=12H y=4H	22.8	23.4	23.3	24.0	24.5	22.8	23.4	23.3	23.9	24.5
x=12H y=6H	23.9	24.4	24.5	25.0	25.6	23.9	24.4	24.4	25.0	25.6
x=12H y=8H	24.4	24.9	25.0	25.5	26.1	24.4	24.9	25.0	25.5	26.1



**Luminaire**

Code PX-0129-NEGV1  
Name GROVE

**Measurum.**

Code PX-0129-NEGV1  
Name GROVE

Luminaire Flux	171.89 lm	Luminaire Power	3.00 W	Efficacy	57.30 lm/W	Efficiency	100.00%
Sources Flux	171.89 lm	Maximum value	286.45 cd/klm	Position	C=0.00 G=0.00	CG	Double Symmetrical

Total Flux=171.89 Luminaire Flux=171.89

RI	0.60	0.80	1.00	1.25	1.50	2.00	2.50	3.00	4.00	5.00	10.00	20.00
DRR	0.27	0.35	0.42	0.49	0.54	0.63	0.69	0.73	0.79	0.82	0.90	0.95
RC	6	6	6	6	6	6	6	6	6	6	6	6

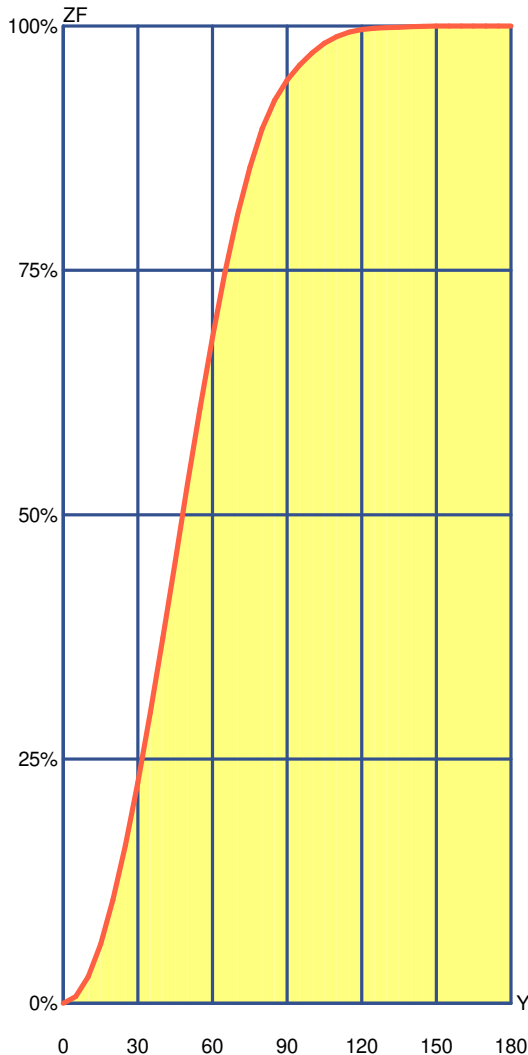
Zonal Flux per 1000 Lumen

Y°	10	20	30	40	50	60	70	80	90	100	110	120	130	140	150	160	170	180
ZF(Y)	27	106	226	374	532	681	807	895	945	973	989	997	998	999	1000	1000	1000	1000

CIE Flux Codes

42 72 91 94 100

C.I.E.	6	LOR	100.00000 %
D DIN 5040	A31	ULOR	5.53367 %
F UTE	0.94 G + 0.06 T	DLOR	94.46632 %
B NBN	BZ 5	UFF	5.53367 %
RN	5.53367 %	DFF	94.46633 %
BLF	1.0	FFR	5.85783 %



Gamma °	Zonal Flux			
	Flux	Sum lm	Flux [%]	Sum [%]
0°	0.00	0.00	0.00%	0.00 %
5°	6.84	6.84	0.68 %	0.68 %
10°	20.35	27.20	2.04 %	2.72 %
15°	33.29	60.49	3.33 %	6.05 %
20°	45.23	105.72	4.52 %	10.57 %
25°	55.79	161.51	5.58 %	16.15 %
30°	64.63	226.14	6.46 %	22.61 %
35°	71.51	297.65	7.15 %	29.76 %
40°	76.27	373.92	7.63 %	37.39 %
45°	78.76	452.68	7.88 %	45.27 %
50°	78.99	531.67	7.90 %	53.17 %
55°	77.00	608.67	7.70 %	60.87 %
60°	72.79	681.46	7.28 %	68.15 %
65°	66.54	748.00	6.65 %	74.80 %
70°	58.52	806.51	5.85 %	80.65 %
75°	49.19	855.70	4.92 %	85.57 %
80°	39.22	894.92	3.92 %	89.49 %
85°	29.24	924.16	2.92 %	92.42 %
90°	20.50	944.66	2.05 %	94.47 %
95°	15.36	960.02	1.54 %	96.00 %
100°	12.54	972.56	1.25 %	97.26 %
105°	9.68	982.24	0.97 %	98.22 %
110°	6.98	989.22	0.70 %	98.92 %
115°	4.62	993.84	0.46 %	99.38 %
120°	2.70	996.54	0.27 %	99.65 %
125°	1.28	997.83	0.13 %	99.78 %
130°	0.58	998.41	0.06 %	99.84 %
135°	0.42	998.82	0.04 %	99.88 %
140°	0.38	999.21	0.04 %	99.92 %
145°	0.35	999.56	0.03 %	99.96 %
150°	0.31	999.87	0.03 %	99.99 %
155°	0.13	1000.00	0.01 %	100.00 %
160°	0.00	1000.00	0.00 %	100.00 %
165°	0.00	1000.00	0.00 %	100.00 %
170°	0.00	1000.00	0.00 %	100.00 %
175°	0.00	1000.00	0.00 %	100.00 %
180°	0.00	1000.00	0.00 %	100.00 %



**Luminaire**

Code PX-0129-NEGV1  
Name GROVE

**Measurerm.**

Code PX-0129-NEGV1  
Name GROVE

Luminaire Flux	171.89 lm	Luminaire Power	3.00 W	Efficacy	57.30 lm/W	Efficiency	100.00%
Sources Flux	171.89 lm	Maximum value	286.45 cd/klm	Position	C=0.00 G=0.00	CG	Double Symmetrical

Utilizations CIE

Mounting	Direct	Normalization										Normalised										Suspension Ratid/3										Standard CIE Settings																																																																																																																																																																																																																																																																																							
Ceiling																																																																																																																																																																																																																																																																																																																							
K	8873	8773	8871	8771	7773	7771	7753	7553	7751	7551	7731	7331	7711	7111	5551	5531	5331	5511	5111	3331	3311	1111	0000	0.60	259	232	216	195	221	186	146	124	125	106	83	63	53	36	99	67	59	43	35	56	37	32	21	0.80	297	272	232	214	259	205	178	156	142	125	97	77	63	46	116	80	73	53	44	69	45	40	25	1.00	323	300	238	222	286	213	204	182	152	136	106	87	71	54	128	90	83	61	52	79	53	47	28	1.25	345	325	238	226	309	217	229	208	159	146	115	98	79	63	137	100	93	69	60	88	62	56	31	1.50	361	343	236	226	326	217	249	229	164	152	121	105	86	71	143	107	100	77	68	96	69	63	33	2.00	380	366	228	221	349	213	279	261	167	158	129	116	97	84	150	117	111	88	80	106	81	75	37	2.50	393	380	221	215	363	208	301	284	169	161	135	123	105	93	153	123	118	97	90	114	90	84	40	3.00	401	390	215	210	373	204	317	302	169	163	139	129	112	101	155	128	124	104	97	119	97	91	42	4.00	413	404	206	203	387	198	339	327	169	164	144	136	121	112	158	135	131	114	108	127	108	102	44	5.00	420	413	200	197	395	193	354	344	169	165	147	141	127	119	159	139	136	121	116	132	115	109	46	10.00	434	430	185	184	413	181	389	382	167	165	154	151	142	137	160	148	147	137	134	143	132	127	50	20.00	440	438	175	175	421	172	408	405	165	164	158	156	151	148	160	153	152	146	145	148	142	138	53

Wall

K	8873	8773	8871	8771	7773	7771	7753	7553	7751	7551	7731	7331	7711	7111	5551	5531	5331	5511	5111	3331	3311	1111	0000	0.60	473	459	419	408	452	402	356	346	325	317	272	264	234	229	313	265	263	231	228	261	228	226	207	0.80	539	524	465	454	513	447	418	406	373	364	320	311	280	273	358	311	308	275	271	305	271	269	246	1.00	585	571	493	484	557	475	464	452	406	398	355	345	315	307	390	344	341	309	305	337	304	300	274	1.25	627	613	517	509	597	500	509	496	436	428	387	378	348	340	419	376	372	341	337	367	336	331	302	1.50	659	646	534	527	627	517	545	531	459	452	413	404	375	367	441	401	397	367	363	391	361	355	324	2.00	697	686	550	544	664	533	591	578	485	478	444	435	410	401	465	430	427	400	396	419	392	385	350	2.50	723	713	559	555	688	544	624	611	502	496	466	458	434	426	482	451	448	424	419	439	414	407	368	3.00	740	731	565	561	705	550	647	636	513	508	481	473	452	444	493	466	463	441	436	453	431	422	381	4.00	770	763	579	576	735	565	686	676	535	531	508	501	483	476	515	492	489	470	466	478	459	449	405	5.00	793	787	591	589	757	578	715	706	552	549	528	523	507	500	532	512	510	493	489	497	481	470	424	10.00	852	849	627	626	816	615	790	785	600	598	585	582	572	567	581	568	567	556	553	552	541	527	478	20.00	893	891	654	654	857	644	842	839	635	634	626	624	618	615	616	608	607	601	599	591	585	570	517
---	------	------	------	------	------	------	------	------	------	------	------	------	------	------	------	------	------	------	------	------	------	------	------	------	-----	-----	-----	-----	-----	-----	-----	-----	-----	-----	-----	-----	-----	-----	-----	-----	-----	-----	-----	-----	-----	-----	-----	------	-----	-----	-----	-----	-----	-----	-----	-----	-----	-----	-----	-----	-----	-----	-----	-----	-----	-----	-----	-----	-----	-----	-----	------	-----	-----	-----	-----	-----	-----	-----	-----	-----	-----	-----	-----	-----	-----	-----	-----	-----	-----	-----	-----	-----	-----	-----	------	-----	-----	-----	-----	-----	-----	-----	-----	-----	-----	-----	-----	-----	-----	-----	-----	-----	-----	-----	-----	-----	-----	-----	------	-----	-----	-----	-----	-----	-----	-----	-----	-----	-----	-----	-----	-----	-----	-----	-----	-----	-----	-----	-----	-----	-----	-----	------	-----	-----	-----	-----	-----	-----	-----	-----	-----	-----	-----	-----	-----	-----	-----	-----	-----	-----	-----	-----	-----	-----	-----	------	-----	-----	-----	-----	-----	-----	-----	-----	-----	-----	-----	-----	-----	-----	-----	-----	-----	-----	-----	-----	-----	-----	-----	------	-----	-----	-----	-----	-----	-----	-----	-----	-----	-----	-----	-----	-----	-----	-----	-----	-----	-----	-----	-----	-----	-----	-----	------	-----	-----	-----	-----	-----	-----	-----	-----	-----	-----	-----	-----	-----	-----	-----	-----	-----	-----	-----	-----	-----	-----	-----	------	-----	-----	-----	-----	-----	-----	-----	-----	-----	-----	-----	-----	-----	-----	-----	-----	-----	-----	-----	-----	-----	-----	-----	-------	-----	-----	-----	-----	-----	-----	-----	-----	-----	-----	-----	-----	-----	-----	-----	-----	-----	-----	-----	-----	-----	-----	-----	-------	-----	-----	-----	-----	-----	-----	-----	-----	-----	-----	-----	-----	-----	-----	-----	-----	-----	-----	-----	-----	-----	-----	-----

Working Pl.

K	8873	8773	8871	8771	7773	7771	7753	7553	7751	7551	7731	7331	7711	7111	5551	5531	5331	5511	5111	3331	3311	1111	0000	0.60	555	540	518	506	531	499	414	404	399	390	331	323	282	277	385	323	321	278	275	318	275	273	256	0.80	660	643	608	596	629	585	511	497	487	477	417	406	364	356	468	406	402	357	354	398	353	349	330	1.00	742	725	677	665	707	652	591	576	559	548	489	477	435	425	536	475	471	426	422	465	420	415	396	1.25	821	804	740	729	781	714	670	654	628	617	560	548	506	495	602	544	539	496	490	531	488	481	461	1.50	880	864	786	776	837	760	732	715	680	670	616	603	563	551	652	597	592	551	545	582	541	533	513	2.00	967	952	852	844	920	827	827	810	758	749	701	689	653	640	728	679	674	637	631	661	624	614	595	2.50	1000	1000	893	887	975	869	892	876	809	801	758	747	714	702	778	735	730	697	690	714	682	668	650	3.00	1000	1000	922	916	1000	898	939	924	846	839	800	789	760	748	813	775	770	740	734	753	723	708	690	4.00	1000	1000	957	953	1000	935	1000	989	892	886	854	844	819	808	859	826	823	797	791	802	777	760	742	5.00	1000	1000	979	976	1000	957	1000	1000	921	916	888	880	857	847	887	859	856	833	828	834	812	792	775	10.00	1000	1000	1000	1000	1000	1000	1000	1000	983	980	963	959	945	938	949	932	930	916	913	903	890	866	849	20.00	1000	1000	1000	1000	1000	1000	1000	1000	1000	1000	1000	1000	997	993	984	975	973	966	963	944	936	909	893
---	------	------	------	------	------	------	------	------	------	------	------	------	------	------	------	------	------	------	------	------	------	------	------	------	-----	-----	-----	-----	-----	-----	-----	-----	-----	-----	-----	-----	-----	-----	-----	-----	-----	-----	-----	-----	-----	-----	-----	------	-----	-----	-----	-----	-----	-----	-----	-----	-----	-----	-----	-----	-----	-----	-----	-----	-----	-----	-----	-----	-----	-----	-----	------	-----	-----	-----	-----	-----	-----	-----	-----	-----	-----	-----	-----	-----	-----	-----	-----	-----	-----	-----	-----	-----	-----	-----	------	-----	-----	-----	-----	-----	-----	-----	-----	-----	-----	-----	-----	-----	-----	-----	-----	-----	-----	-----	-----	-----	-----	-----	------	-----	-----	-----	-----	-----	-----	-----	-----	-----	-----	-----	-----	-----	-----	-----	-----	-----	-----	-----	-----	-----	-----	-----	------	-----	-----	-----	-----	-----	-----	-----	-----	-----	-----	-----	-----	-----	-----	-----	-----	-----	-----	-----	-----	-----	-----	-----	------	------	------	-----	-----	-----	-----	-----	-----	-----	-----	-----	-----	-----	-----	-----	-----	-----	-----	-----	-----	-----	-----	-----	------	------	------	-----	-----	------	-----	-----	-----	-----	-----	-----	-----	-----	-----	-----	-----	-----	-----	-----	-----	-----	-----	-----	------	------	------	-----	-----	------	-----	------	-----	-----	-----	-----	-----	-----	-----	-----	-----	-----	-----	-----	-----	-----	-----	-----	------	------	------	-----	-----	------	-----	------	------	-----	-----	-----	-----	-----	-----	-----	-----	-----	-----	-----	-----	-----	-----	-----	-------	------	------	------	------	------	------	------	------	-----	-----	-----	-----	-----	-----	-----	-----	-----	-----	-----	-----	-----	-----	-----	-------	------	------	------	------	------	------	------	------	------	------	------	------	-----	-----	-----	-----	-----	-----	-----	-----	-----	-----	-----

LM53 SHR C0-C180: 1.286 SHR C90-C270: 1.286 SHR Square: 1.427



**Luminaire**

Code PX-0129-NEGV1  
Name GROVE

**Measurem.**

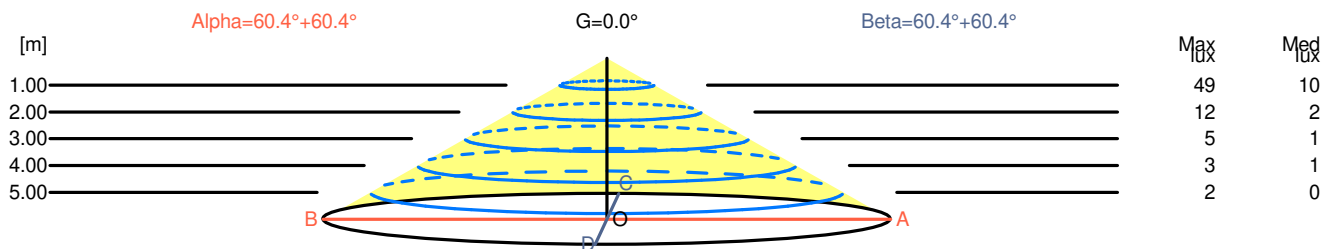
Code PX-0129-NEGV1  
Name GROVE

Luminaire Flux	171.89 lm	Luminaire Power	3.00 W	Efficacy	57.30 lm/W	Efficiency	100.00%
Sources Flux	171.89 lm	Maximum value	286.45 cd/klm	Position	C=0.00 G=0.00	CG	Double Symmetrical

Width at 50.00 % of Max Intensity

H[m]	1.00	2.00	3.00	4.00	5.00	H[m]	1.00	2.00	3.00	4.00	5.00
OA	1.76	3.52	5.29	7.05	8.81	OC	1.76	3.52	5.28	7.04	8.80
OB	1.76	3.52	5.29	7.05	8.81	OD	1.76	3.52	5.28	7.04	8.80

	Luminous Intensities [ cd/klm ]									
	0	5	15	25	35	45	55	65	75	85
OA	49.24	49.11	47.70	44.72	40.34	34.79	28.50	21.18	13.73	6.98
OB	49.24	49.11	47.70	44.72	40.34	34.79	28.50	21.18	13.73	6.98
OC	49.24	49.11	47.72	44.71	40.28	34.85	28.40	21.20	13.79	7.06
OD	49.24	49.11	47.72	44.71	40.28	34.85	28.40	21.20	13.79	7.06



H[m]	D[m]	Max lux	Med lux	Alpha=60.4°+60.4°	G=0.0
1.00	3.52	49	10		
2.00	7.05	12	2		
3.00	10.57	5	1		
4.00	14.10	3	1		
5.00	17.62	2	0		

H[m]	D[m]	Max lux	Med lux	Beta=60.4°+60.4°	G=0.0
1.00	3.52	49	10		
2.00	7.04	12	2		
3.00	10.56	5	1		
4.00	14.08	3	1		
5.00	17.60	2	0		



**Luminaire**

Code PX-0129-NEGV1  
Name GROVE

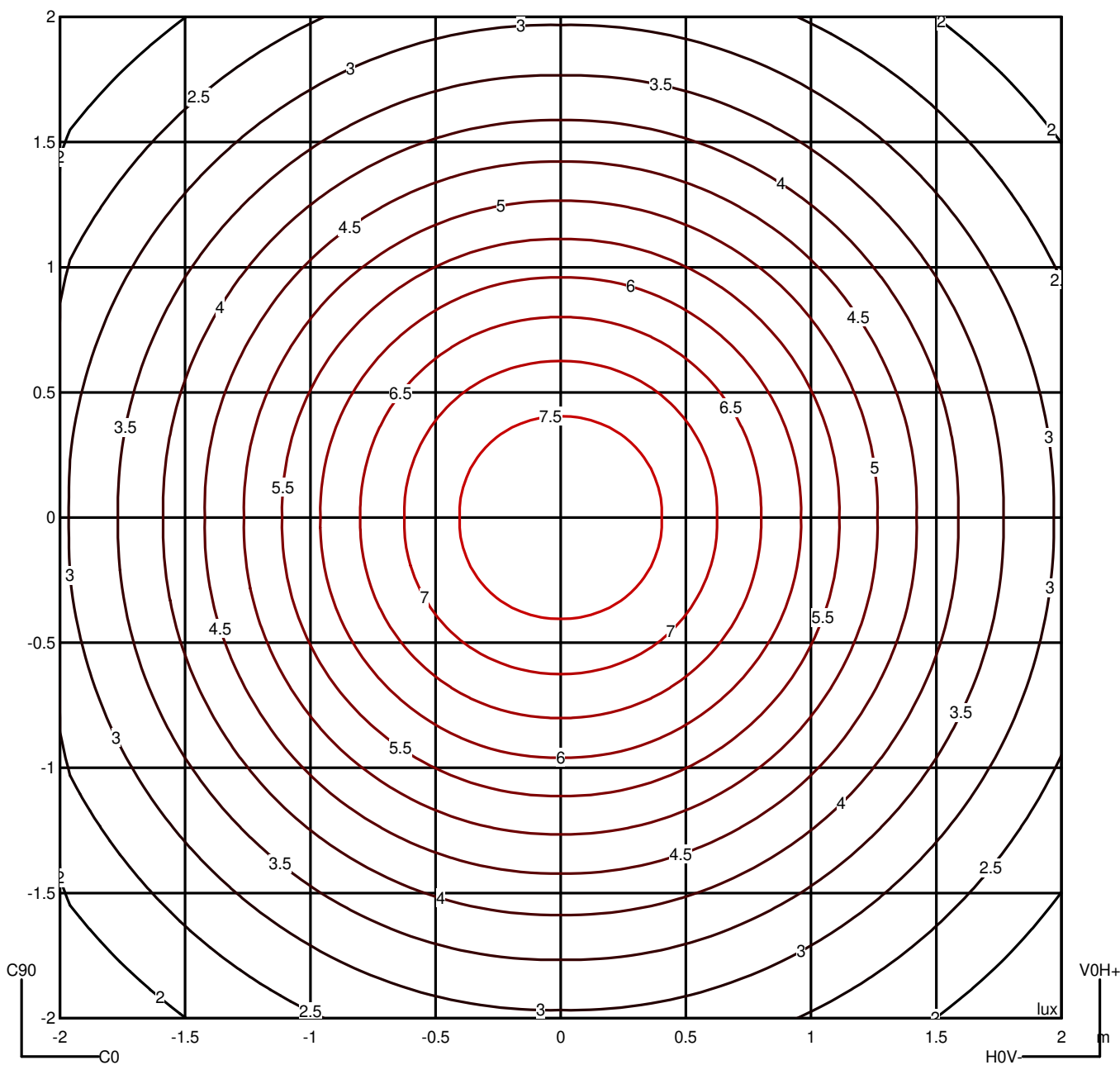
**Measur.**

Code PX-0129-NEGV1  
Name GROVE

Luminaire Flux	171.89 lm	Luminaire Power	3.00 W	Efficacy	57.30 lm/W	Efficiency	100.00%
Sources Flux	171.89 lm	Maximum value	286.45 cd/klm	Position	C=0.00 G=0.00	CG	Double Symmetrical

Isolux (Floor)

Luminaire position X=0.00m Y=0.00m Z=2.50m





**Luminaire**

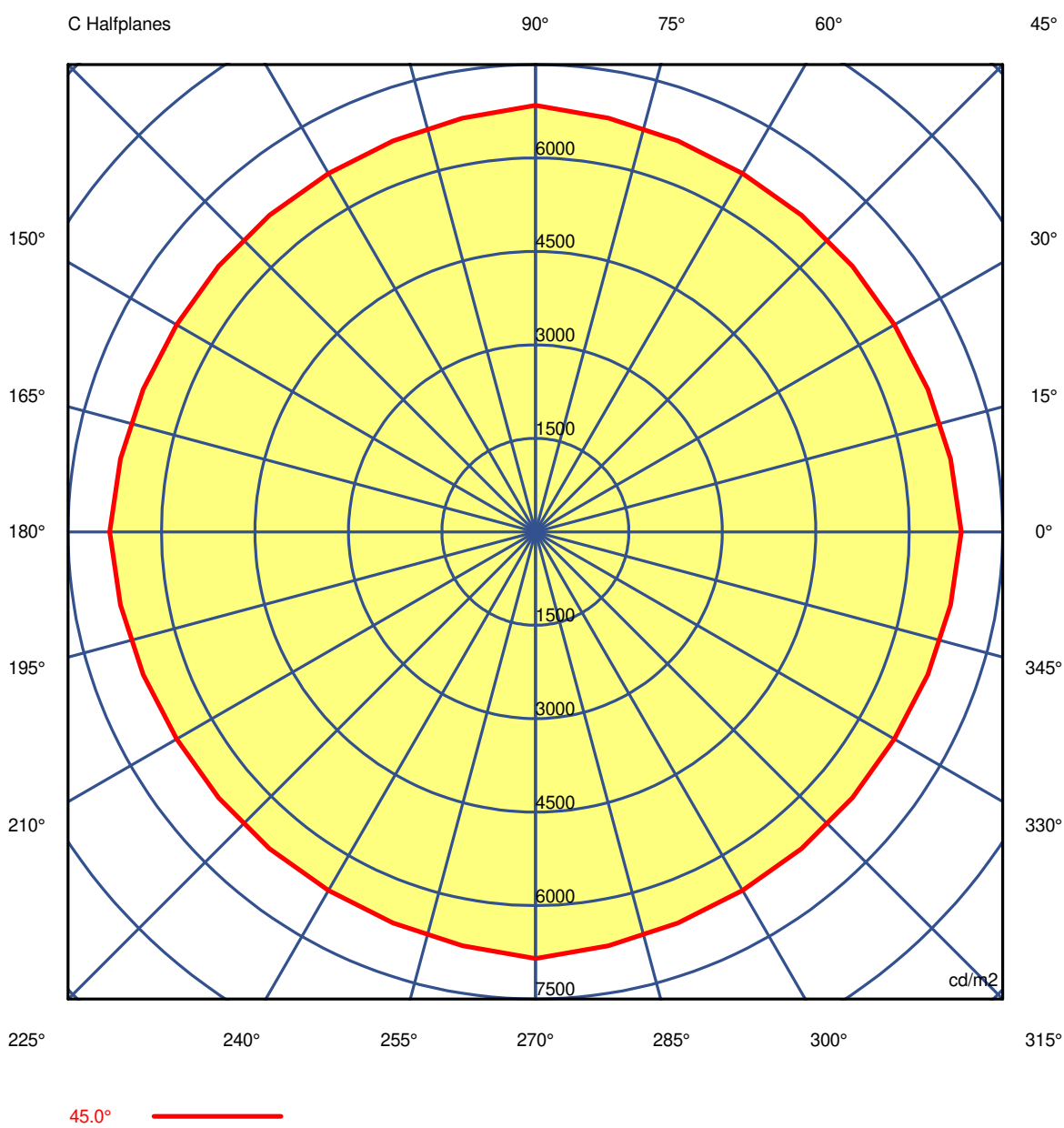
Code PX-0129-NEGV1  
Name GROVE

**Measurement**

Code PX-0129-NEGV1  
Name GROVE

Luminaire Flux	171.89 lm	Luminaire Power	3.00 W	Efficacy	57.30 lm/W	Efficiency	100.00%
Sources Flux	171.89 lm	Maximum value	286.45 cd/klm	Position	C=0.00 G=0.00	CG	Double Symmetrical

Luminance





**Luminaire**

Code PX-0129-NEGV1  
Name GROVE

**Measurement**

Code PX-0129-NEGV1  
Name GROVE

Luminaire Flux	171.89 lm	Luminaire Power	3.00 W	Efficacy	57.30 lm/W	Efficiency	100.00%
Sources Flux	171.89 lm	Maximum value	286.45 cd/klm	Position	C=0.00 G=0.00	CG	Double Symmetrical

**Luminance cd/m2 Table 1/3**

	C 0.00	C 10.00	C 20.00	C 30.00	C 40.00	C 50.00	C 60.00	C 70.00	C 80.00	C 90.00	C 100.00	C 110.00	C 120.00
G 0.0	7693.36	7693.36	7693.36	7693.36	7693.36	7693.36	7693.36	7693.36	7693.36	7693.36	7693.36	7693.36	7693.36
G 5.0	7619.89	7608.09	7600.11	7595.05	7590.94	7589.93	7593.22	7599.90	7608.93	7620.01	7608.93	7599.90	7593.22
G 10.0	7547.11	7526.87	7511.30	7500.50	7494.97	7494.81	7499.53	7508.82	7525.08	7548.77	7525.08	7508.82	7499.53
G 15.0	7466.71	7438.43	7416.05	7400.38	7393.62	7393.13	7398.29	7411.61	7435.31	7469.28	7435.31	7411.61	7398.29
G 20.0	7379.28	7342.70	7315.87	7296.91	7284.19	7281.45	7290.79	7311.08	7340.16	7377.76	7340.16	7311.08	7290.79
G 25.0	7284.85	7242.13	7209.10	7184.90	7170.79	7166.54	7174.02	7196.61	7233.58	7283.96	7233.58	7196.61	7174.02
G 30.0	7177.08	7131.88	7090.25	7057.35	7047.91	7048.02	7054.27	7078.33	7121.50	7182.37	7121.50	7078.33	7054.27
G 35.0	7076.18	7017.20	6970.96	6935.27	6912.80	6908.79	6925.35	6959.95	7006.57	7065.22	7006.57	6959.95	6925.35
G 40.0	6963.21	6894.19	6840.95	6801.79	6779.71	6776.45	6793.39	6830.96	6885.44	6957.15	6885.44	6830.96	6793.39
G 45.0	6833.13	6761.94	6699.49	6651.50	6636.35	6636.27	6645.83	6679.58	6746.03	6845.93	6746.03	6679.58	6645.83
G 50.0	6720.07	6626.03	6558.09	6510.94	6481.21	6473.04	6492.28	6542.38	6617.48	6716.94	6617.48	6542.38	6492.28
G 55.0	6586.68	6473.03	6394.28	6343.37	6312.53	6308.38	6333.36	6383.40	6459.00	6564.40	6459.00	6383.40	6333.36
G 60.0	6405.07	6287.32	6205.30	6158.11	6144.29	6137.39	6136.90	6171.48	6257.45	6397.28	6257.45	6171.48	6136.90
G 65.0	6176.07	6050.48	5975.94	5942.52	5931.42	5926.71	5931.11	5964.73	6045.29	6180.28	6045.29	5964.73	5931.11
G 70.0	5912.84	5789.62	5717.90	5679.74	5655.89	5658.84	5682.64	5709.52	5781.01	5922.69	5781.01	5709.52	5682.64
G 75.0	5650.61	5493.70	5418.14	5394.33	5376.20	5374.83	5384.33	5390.71	5474.48	5675.08	5474.48	5390.71	5384.33
G 80.0	5340.14	5208.07	5133.73	5095.51	5081.36	5082.11	5086.11	5095.56	5186.19	5400.70	5186.19	5095.56	5086.11
G 85.0	5155.42	4928.90	4826.90	4799.18	4787.87	4790.56	4804.15	4829.81	4946.08	5211.57	4946.08	4829.81	4804.15
G 90.0	5971.89	5353.83	5074.12	4984.53	4939.04	4942.08	4987.73	5065.93	5348.37	5997.24	5348.37	5065.93	4987.73



**Luminaire**

Code PX-0129-NEGV1  
Name GROVE

**Measurement**

Code PX-0129-NEGV1  
Name GROVE

Luminaire Flux	171.89 lm	Luminaire Power	3.00 W	Efficacy	57.30 lm/W	Efficiency	100.00%
Sources Flux	171.89 lm	Maximum value	286.45 cd/klm	Position	C=0.00 G=0.00	CG	Double Symmetrical

**Luminance cd/m2 Table 2/3**

	C 130.00	C 140.00	C 150.00	C 160.00	C 170.00	C 180.00	C 190.00	C 200.00	C 210.00	C 220.00	C 230.00	C 240.00	C 250.00
G 0.0	7693.36	7693.36	7693.36	7693.36	7693.36	7693.36	7693.36	7693.36	7693.36	7693.36	7693.36	7693.36	7693.36
G 5.0	7589.93	7590.94	7595.05	7600.11	7608.09	7619.89	7608.09	7600.11	7595.05	7590.94	7589.93	7593.22	7599.90
G 10.0	7494.81	7494.97	7500.50	7511.30	7526.87	7547.11	7526.87	7511.30	7500.50	7494.97	7494.81	7499.53	7508.82
G 15.0	7393.13	7393.62	7400.38	7416.05	7438.43	7466.71	7438.43	7416.05	7400.38	7393.62	7393.13	7398.29	7411.61
G 20.0	7281.45	7284.19	7296.91	7315.87	7342.70	7379.28	7342.70	7315.87	7296.91	7284.19	7281.45	7290.79	7311.08
G 25.0	7166.54	7170.79	7184.90	7209.10	7242.13	7284.85	7242.13	7209.10	7184.90	7170.79	7166.54	7174.02	7196.61
G 30.0	7048.02	7047.91	7057.35	7090.25	7131.88	7177.08	7131.88	7090.25	7057.35	7047.91	7048.02	7054.27	7078.33
G 35.0	6908.79	6912.80	6935.27	6970.96	7017.20	7076.18	7017.20	6970.96	6935.27	6912.80	6908.79	6925.35	6959.95
G 40.0	6776.45	6779.71	6801.79	6840.95	6894.19	6963.21	6894.19	6840.95	6801.79	6779.71	6776.45	6793.39	6830.96
G 45.0	6636.27	6636.35	6651.50	6699.49	6761.94	6833.13	6761.94	6699.49	6651.50	6636.35	6636.27	6645.83	6679.58
G 50.0	6473.04	6481.21	6510.94	6558.09	6626.03	6720.07	6626.03	6558.09	6510.94	6481.21	6473.04	6492.28	6542.38
G 55.0	6308.38	6312.53	6343.37	6394.28	6473.03	6586.68	6473.03	6394.28	6343.37	6312.53	6308.38	6333.36	6383.40
G 60.0	6137.39	6144.29	6158.11	6205.30	6287.32	6405.07	6287.32	6205.30	6158.11	6144.29	6137.39	6136.90	6171.48
G 65.0	5926.71	5931.42	5942.52	5975.94	6050.48	6176.07	6050.48	5975.94	5942.52	5931.42	5926.71	5931.11	5964.73
G 70.0	5658.84	5655.89	5679.74	5717.90	5789.62	5912.84	5789.62	5717.90	5679.74	5655.89	5658.84	5682.64	5709.52
G 75.0	5374.83	5376.20	5394.33	5418.14	5493.70	5650.61	5493.70	5418.14	5394.33	5376.20	5374.83	5384.33	5390.71
G 80.0	5082.11	5081.36	5095.51	5133.73	5208.07	5340.14	5208.07	5133.73	5095.51	5081.36	5082.11	5086.11	5095.56
G 85.0	4790.56	4787.87	4799.18	4826.90	4928.90	5155.42	4928.90	4826.90	4799.18	4787.87	4790.56	4804.15	4829.81
G 90.0	4942.08	4939.04	4984.53	5074.12	5353.83	5971.89	5353.83	5074.12	4984.53	4939.04	4942.08	4987.73	5065.93



**Luminaire**

Code PX-0129-NEGV1  
Name GROVE

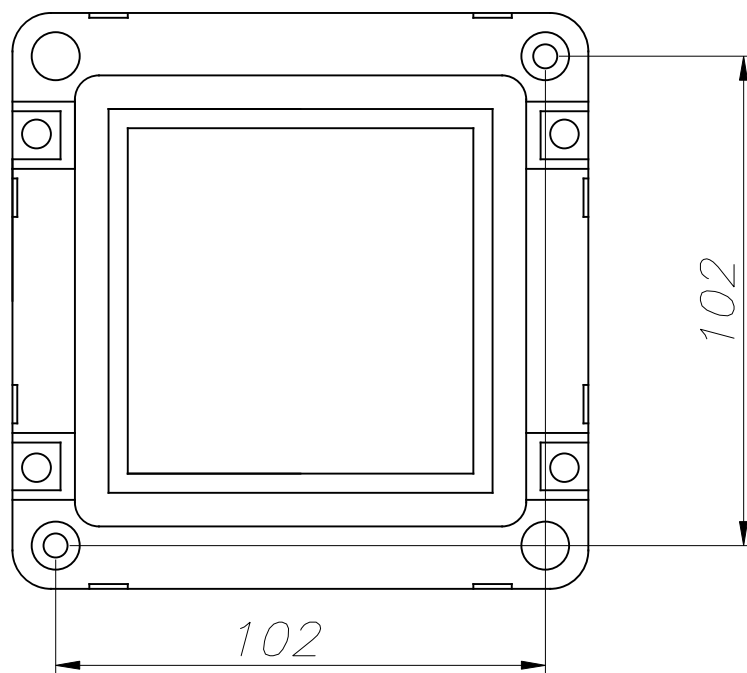
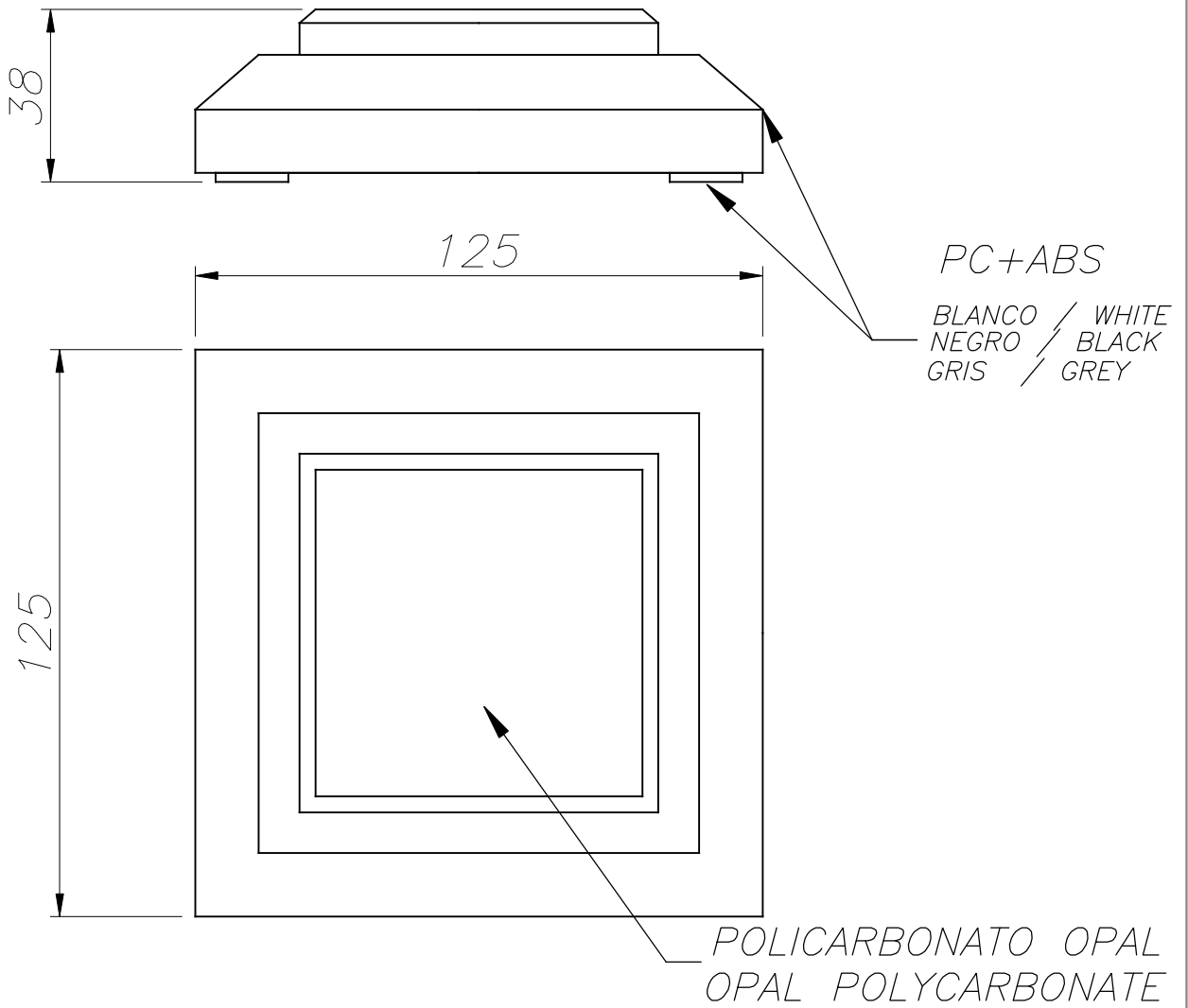
**Measurem.**

Code PX-0129-NEGV1  
Name GROVE

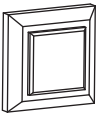
Luminaire Flux	171.89 lm	Luminaire Power	3.00 W	Efficacy	57.30 lm/W	Efficiency	100.00%
Sources Flux	171.89 lm	Maximum value	286.45 cd/klm	Position	C=0.00 G=0.00	CG	Double Symmetrical

**Luminance cd/m2 Table 3/3**

	C 260.00	C 270.00	C 280.00	C 290.00	C 300.00	C 310.00	C 320.00	C 330.00	C 340.00	C 350.00
G 0.0	7693.36	7693.36	7693.36	7693.36	7693.36	7693.36	7693.36	7693.36	7693.36	7693.36
G 5.0	7608.93	7620.01	7608.93	7599.90	7593.22	7589.93	7590.94	7595.05	7600.11	7608.09
G 10.0	7525.08	7548.77	7525.08	7508.82	7499.53	7494.81	7494.97	7500.50	7511.30	7526.87
G 15.0	7435.31	7469.28	7435.31	7411.61	7398.29	7393.13	7393.62	7400.38	7416.05	7438.43
G 20.0	7340.16	7377.76	7340.16	7311.08	7290.79	7281.45	7284.19	7296.91	7315.87	7342.70
G 25.0	7233.58	7283.96	7233.58	7196.61	7174.02	7166.54	7170.79	7184.90	7209.10	7242.13
G 30.0	7121.50	7182.37	7121.50	7078.33	7054.27	7048.02	7047.91	7057.35	7090.25	7131.88
G 35.0	7006.57	7065.22	7006.57	6959.95	6925.35	6908.79	6912.80	6935.27	6970.96	7017.20
G 40.0	6885.44	6957.15	6885.44	6830.96	6793.39	6776.45	6779.71	6801.79	6840.95	6894.19
G 45.0	6746.03	6845.93	6746.03	6679.58	6645.83	6636.27	6636.35	6651.50	6699.49	6761.94
G 50.0	6617.48	6716.94	6617.48	6542.38	6492.28	6473.04	6481.21	6510.94	6558.09	6626.03
G 55.0	6459.00	6564.40	6459.00	6383.40	6333.36	6308.38	6312.53	6343.37	6394.28	6473.03
G 60.0	6257.45	6397.28	6257.45	6171.48	6136.90	6137.39	6144.29	6158.11	6205.30	6287.32
G 65.0	6045.29	6180.28	6045.29	5964.73	5931.11	5926.71	5931.42	5942.52	5975.94	6050.48
G 70.0	5781.01	5922.69	5781.01	5709.52	5682.64	5658.84	5655.89	5679.74	5717.90	5789.62
G 75.0	5474.48	5675.08	5474.48	5390.71	5384.33	5374.83	5376.20	5394.33	5418.14	5493.70
G 80.0	5186.19	5400.70	5186.19	5095.56	5086.11	5082.11	5081.36	5095.51	5133.73	5208.07
G 85.0	4946.08	5211.57	4946.08	4829.81	4804.15	4790.56	4787.87	4799.18	4826.90	4928.90
G 90.0	5348.37	5997.24	5348.37	5065.93	4987.73	4942.08	4939.04	4984.53	5074.12	5353.83



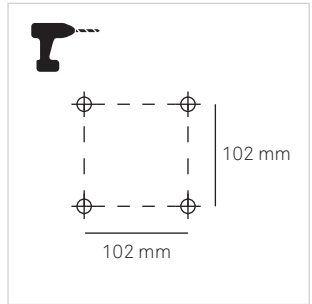
PLANTILLA DE INSTALACIÓN  
INSTALLATION TEMPLATE



# Grove

PX-0129

FOR  
LIGHT



- 
- 
- 
- 
- 
- 
- 
- 
- 

