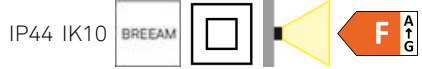


**TECHNICAL FEATURES**



Luminaire total power : 6W

Real lumens : 485

Nominal lumens : 750

Real lm/W : 81

Lens / reflector angle : HORIZONTAL 120°

Structure material : Polycarbonate

Structure finish : White

Diffuser material : Polycarbonate

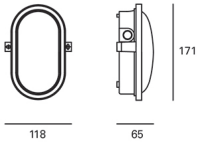
Diffuser finish : White

Voltage / frequency : 100-240V ~ 50/60Hz

Useful life : 36.000h L70B30

Warranty : 3 Years

Resistant to marine environments : Yes

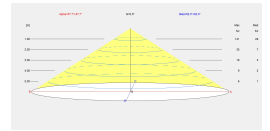
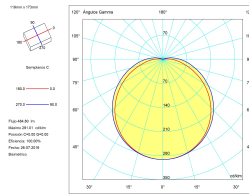


**LUMINOTECHNIC FEATURES**

CRI: 80

Photobiological risk: RG0

Lampholder	Quantity	Light source power (W)	Correlated Colour Temperature (CCT)
LED	1	5W	4000K



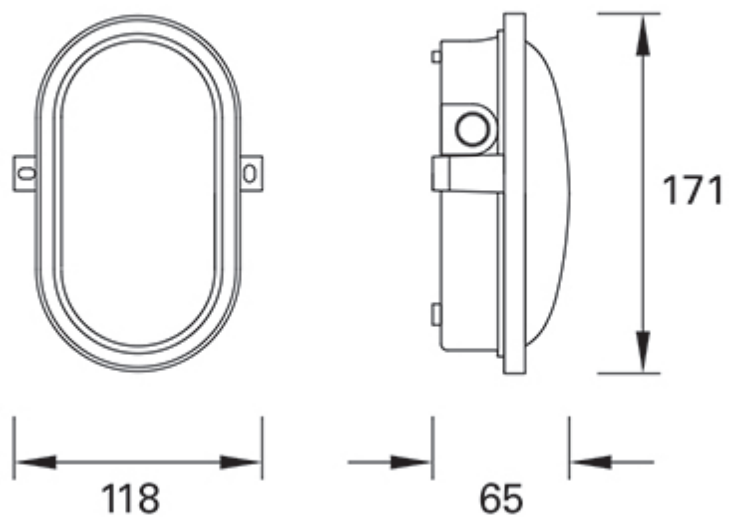
**LOGISTICS**

Net weight (kg): 0.23

Packaged weight (kg): 0.32

Packaging: 125mm x 70mm x 175mm





**Luminaire**

Code PX-0136-BLA  
 Name Aplique 30 leds 5W 4000K

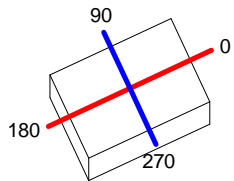
**Measurement**

Code PX-0136-NEG  
 Name Aplique 30 leds 5W 4000K

Luminaire Flux	484.80 lm	Luminaire Power	6.00 W	Efficacy	80.80 lm/W	Efficiency	100.00%
Lamps Flux	484.80 lm	Maximum value	291.01 cd/klm	Position	C=0.00 G=0.00	CG	Double Symmetrical
Rectangular Luminaire		Length	119 mm	Width	173 mm	Height	63 mm
Rectangular Luminous Area		Length	75 mm	Width	145 mm	Height	25 mm
Horizontal Luminous Area	0.010875 m2			Emitting area on Plane 180°	0.001875 m2		
Emitting area on Plane 0°	0.001875 m2			Emitting area on Plane 270°	0.003625 m2		
Emitting area on Plane 90°	0.003625 m2			Glare area at 76°	0.004450 m2		
Coordinate system	CG			Symmetry Type	Double Symmetrical		
Date	26-07-2016			Maximum Gamma Angle	180		
Measurement Distance	0.00			Measurement Flux	484.80 lm		
Operator	Asselum T3			Source Voltage [V]			
Temperature	25.00 °C			Source current [A]			
Humidity	60.00 %			Photocell			
Notes							

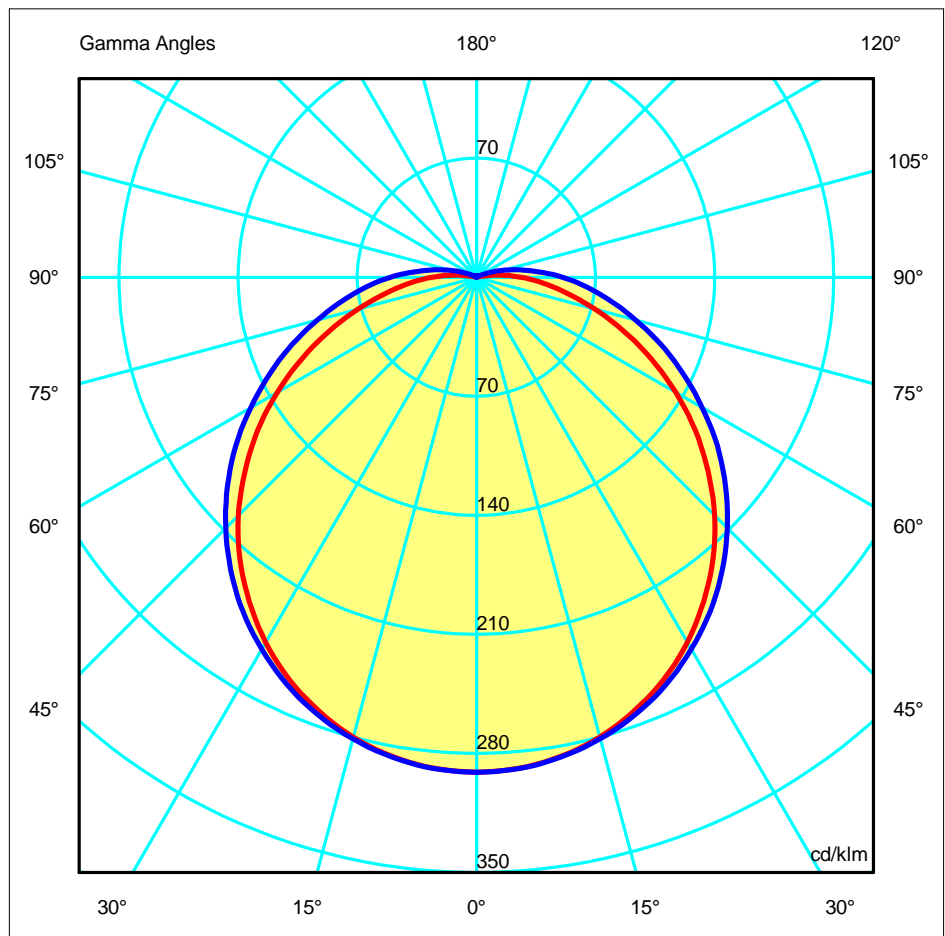
Line	Code	Luminaire Lamps	Flux [lm]	Pow. [W]	Q.ty
	PX-0136-NEG	Name PX-0136-NEG	484.80	6.00	1
C.I.E.	42 71 90 96 100	D DIN 5040	A31		
F UTE	0.96 G + 0.04 T	B NBN	BZ 5		

119mm x 173mm



C Halfplanes  
 180.0 — 0.0  
 270.0 — 90.0

ULOR 4.42 %  
 DLOR 95.58 %  
 RN 4.42 %



**Luminaire**

Code PX-0136-BLA  
Name Aplique 30 leds 5W 4000K

**Measur.**

Code PX-0136-NEG  
Name Aplique 30 leds 5W 4000K

Luminaire Flux	484.80 lm	Luminaire Power	6.00 W	Efficacy	80.80 lm/W	Efficiency	100.00%
Lamps Flux	484.80 lm	Maximum value	291.01 cd/klm	Position	C=0.00 G=0.00	CG	Double Symmetrical

**Luminous Intensity Table cd/klm Table 1/1**

	C 0.00	C 15.00	C 30.00	C 45.00	C 60.00	C 75.00	C 90.00
G 0.0	291.01	291.01	291.01	291.01	291.01	291.01	291.01
G 5.0	289.67	289.74	289.74	289.79	289.81	289.86	289.87
G 10.0	285.98	286.07	286.14	286.25	286.27	286.36	286.37
G 15.0	279.87	280.02	280.17	280.44	280.59	280.93	280.92
G 20.0	271.21	271.72	271.90	272.50	272.90	273.28	273.40
G 25.0	260.69	260.97	261.47	262.24	263.19	263.64	263.99
G 30.0	247.74	248.28	249.17	249.97	251.04	252.25	252.40
G 35.0	232.69	233.64	234.49	236.13	237.77	238.88	239.51
G 40.0	216.27	217.01	218.18	220.44	222.55	224.02	224.64
G 45.0	197.88	198.57	200.62	202.76	205.36	207.76	208.40
G 50.0	177.65	179.05	181.16	184.59	187.78	189.88	191.02
G 55.0	157.00	158.59	161.22	165.27	168.81	171.29	172.77
G 60.0	135.17	137.14	141.06	145.47	149.16	152.26	153.17
G 65.0	113.19	115.88	120.77	125.79	130.11	132.76	133.90
G 70.0	91.86	95.27	100.68	106.64	111.42	113.83	115.24
G 75.0	71.74	75.97	82.42	88.90	93.05	96.26	96.79
G 80.0	54.17	58.60	65.54	72.12	76.84	79.61	80.21
G 85.0	39.36	43.38	50.02	56.80	61.76	64.09	65.13
G 90.0	26.49	29.90	36.20	42.65	47.32	50.25	50.74
G 95.0	14.27	15.83	21.92	28.41	33.06	35.83	36.80
G100.0	4.32	6.46	11.23	16.96	21.40	24.15	25.24
G105.0	1.39	2.45	4.01	7.96	12.06	14.90	15.90
G110.0	0.89	0.94	1.03	2.21	5.32	7.72	8.65
G115.0	0.91	0.94	0.95	0.95	1.54	3.09	3.72
G120.0	0.92	0.97	0.98	0.98	1.01	1.04	1.15
G125.0	0.94	1.00	1.01	1.01	1.05	1.05	1.03
G130.0	0.97	1.03	1.03	1.05	1.08	1.09	1.07
G135.0	0.98	1.06	1.05	1.07	1.09	1.12	1.09
G140.0	1.00	1.04	1.05	1.08	1.10	1.13	1.10
G145.0	1.02	1.06	1.06	1.09	1.10	1.08	1.06
G150.0	1.02	1.07	1.08	1.08	1.09	1.10	1.07
G155.0	0.00	0.00	0.00	0.00	0.00	0.00	0.00
G160.0	0.00	0.00	0.00	0.00	0.00	0.00	0.00
G165.0	0.00	0.00	0.00	0.00	0.00	0.00	0.00
G170.0	0.00	0.00	0.00	0.00	0.00	0.00	0.00
G175.0	0.00	0.00	0.00	0.00	0.00	0.00	0.00
G180.0	0.00	0.00	0.00	0.00	0.00	0.00	0.00

**Luminaire**

Code PX-0136-BLA  
 Name Aplique 30 leds 5W 4000K

**Measur.**

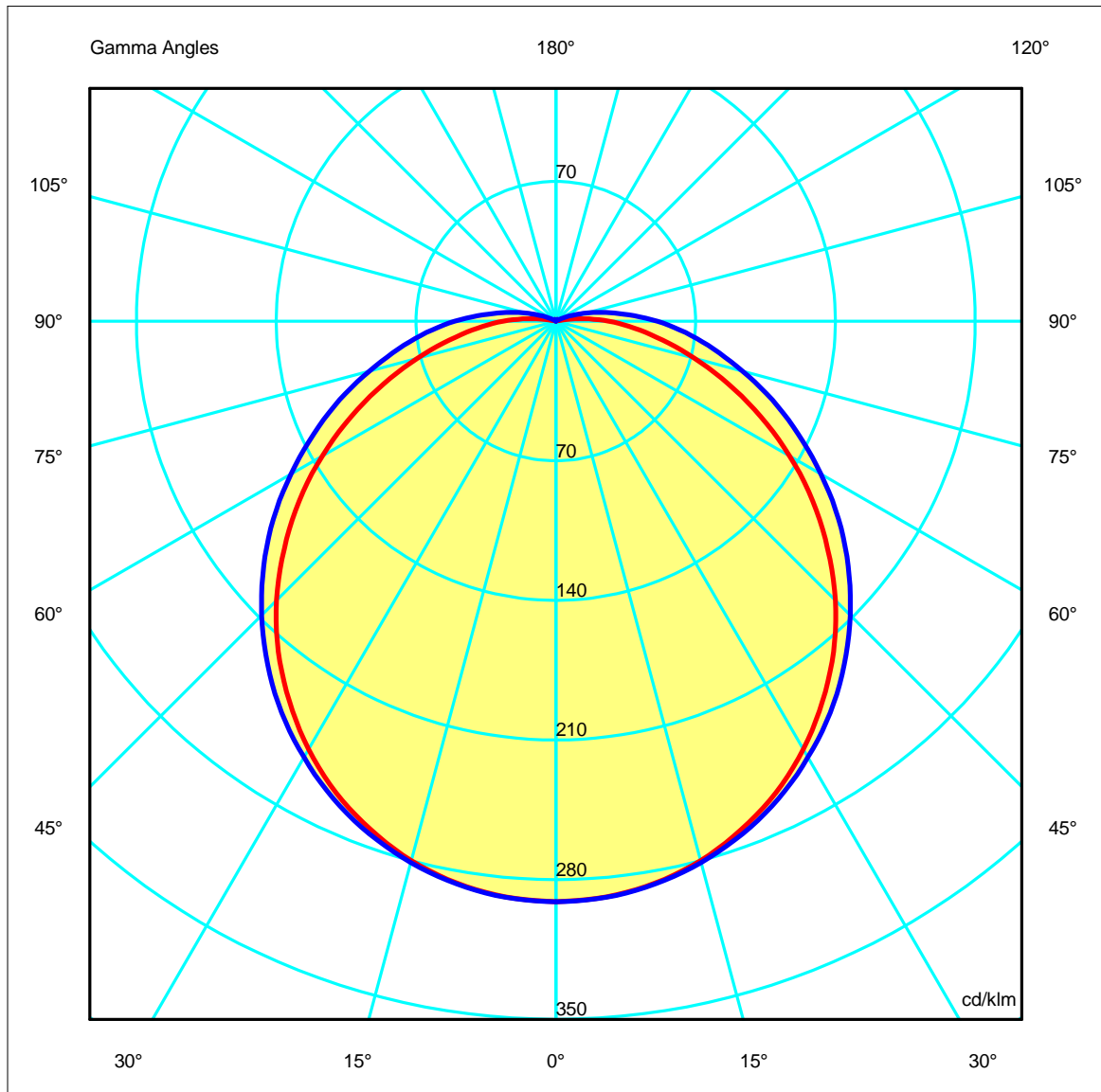
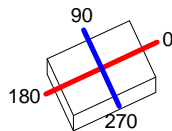
Code PX-0136-NEG  
 Name Aplique 30 leds 5W 4000K

Luminaire Flux	484.80 lm	Luminaire Power	6.00 W	Efficacy	80.80 lm/W	Efficiency	100.00%
Lamps Flux	484.80 lm	Maximum value	291.01 cd/klm	Position	C=0.00 G=0.00	CG	Double Symmetrical

119mm x 173mm

C Halfplanes

180.0 ——— 0.0  
 270.0 ——— 90.0



**Luminaire**

Code PX-0136-BLA  
Name Aplique 30 leds 5W 4000K

**Measur.**

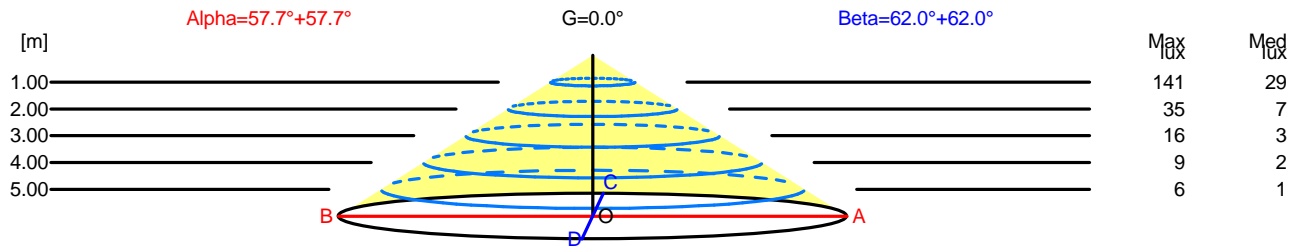
Code PX-0136-NEG  
Name Aplique 30 leds 5W 4000K

Luminaire Flux	484.80 lm	Luminaire Power	6.00 W	Efficacy	80.80 lm/W	Efficiency	100.00%
Lamps Flux	484.80 lm	Maximum value	291.01 cd/klm	Position	C=0.00 G=0.00	CG	Double Symmetrical

Width at 50.00 % of Max Intensity

H[m]	1.00	2.00	3.00	4.00	5.00	H[m]	1.00	2.00	3.00	4.00	5.00
OA	1.58	3.16	4.74	6.32	7.90	OC	1.88	3.76	5.63	7.51	9.39
OB	1.58	3.16	4.74	6.32	7.90	OD	1.88	3.76	5.63	7.51	9.39

	Luminous Intensities [ cd/klm]									
	0	5	15	25	35	45	55	65	75	85
OA	141.08	140.43	135.68	126.38	112.81	95.93	76.12	54.87	34.78	19.08
OB	141.08	140.43	135.68	126.38	112.81	95.93	76.12	54.87	34.78	19.08
OC	141.08	140.53	136.19	127.98	116.12	101.03	83.76	64.91	46.93	31.57
OD	141.08	140.53	136.19	127.98	116.12	101.03	83.76	64.91	46.93	31.57



H[m]	D[m]	Max lux	Med lux	Alpha=57.7°+57.7°	G=0.0
1.00	3.16	141	29		
2.00	6.32	35	7		
3.00	9.48	16	3		
4.00	12.63	9	2		
5.00	15.79	6	1		

H[m]	D[m]	Max lux	Med lux	Beta=62.0°+62.0°	G=0.0
1.00	3.76	141	29		
2.00	7.51	35	7		
3.00	11.27	16	3		
4.00	15.02	9	2		
5.00	18.78	6	1		

**Luminaire**

 Code PX-0136-BLA  
 Name Aplique 30 leds 5W 4000K

**Measurement**

 Code PX-0136-NEG  
 Name Aplique 30 leds 5W 4000K

Luminaire Flux	484.80 lm	Luminaire Power	6.00 W	Efficacy	80.80 lm/W	Efficiency	100.00%
Lamps Flux	484.80 lm	Maximum value	291.01 cd/klm	Position	C=0.00 G=0.00	CG	Double Symmetrical

**UGR**  
S = 0.250

Reflectancies										
Ceiling/Cavity	0.7	0.7	0.5	0.5	0.3	0.7	0.7	0.5	0.5	0.3
Walls	0.5	0.3	0.5	0.3	0.3	0.5	0.3	0.5	0.3	0.3
WorkingPlane	0.2	0.2	0.2	0.2	0.2	0.2	0.2	0.2	0.2	0.2
RoomDimensions	ViewedCrosswise					ViewedEndwise				
x=2H y=2H	19.6	20.9	19.9	21.2	21.7	19.7	21.1	20.1	21.4	21.7
x=2H y=3H	21.2	22.5	21.6	22.8	23.5	21.6	22.8	21.9	23.1	23.5
x=2H y=4H	22.0	23.1	22.4	23.5	24.4	22.4	23.6	22.8	24.0	24.4
x=2H y=6H	22.6	23.7	23.0	24.1	25.1	23.2	24.3	23.7	24.7	25.1
x=2H y=8H	22.9	23.9	23.3	24.3	25.5	23.6	24.7	24.1	25.1	25.5
x=2H y=12H	23.2	24.2	23.6	24.6	25.9	24.0	25.0	24.4	25.4	25.9
x=4H y=2H	20.3	21.5	20.7	21.9	22.4	20.4	21.6	20.8	22.0	22.4
x=4H y=3H	22.2	23.2	22.6	23.6	24.3	22.5	23.5	22.9	23.9	24.3
x=4H y=4H	23.0	24.0	23.5	24.4	25.3	23.5	24.4	24.0	24.8	25.3
x=4H y=6H	23.8	24.6	24.3	25.1	26.2	24.5	25.3	25.0	25.7	26.2
x=4H y=8H	24.2	24.9	24.7	25.4	26.7	24.9	25.7	25.4	26.2	26.7
x=4H y=12H	24.5	25.2	25.0	25.7	27.1	25.4	26.1	25.9	26.6	27.1
x=8H y=4H	23.5	24.2	24.0	24.7	25.6	23.9	24.6	24.4	25.1	25.6
x=8H y=6H	24.5	25.1	25.0	25.6	26.7	25.1	25.7	25.6	26.2	26.7
x=8H y=8H	25.0	25.5	25.5	26.0	27.3	25.7	26.2	26.2	26.7	27.3
x=8H y=12H	25.4	25.9	26.0	26.4	27.9	26.2	26.7	26.8	27.3	27.9
x=12H y=4H	23.6	24.3	24.1	24.8	25.6	23.9	24.6	24.4	25.1	25.6
x=12H y=6H	24.6	25.2	25.2	25.7	26.8	25.2	25.7	25.7	26.2	26.8
x=12H y=8H	25.2	25.7	25.7	26.2	27.5	25.8	26.3	26.4	26.9	27.5

**Luminaire**

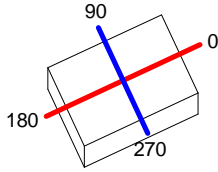
Code PX-0136-BLA  
 Name Aplique 30 leds 5W 4000K

**Measur.**

Code PX-0136-NEG  
 Name Aplique 30 leds 5W 4000K

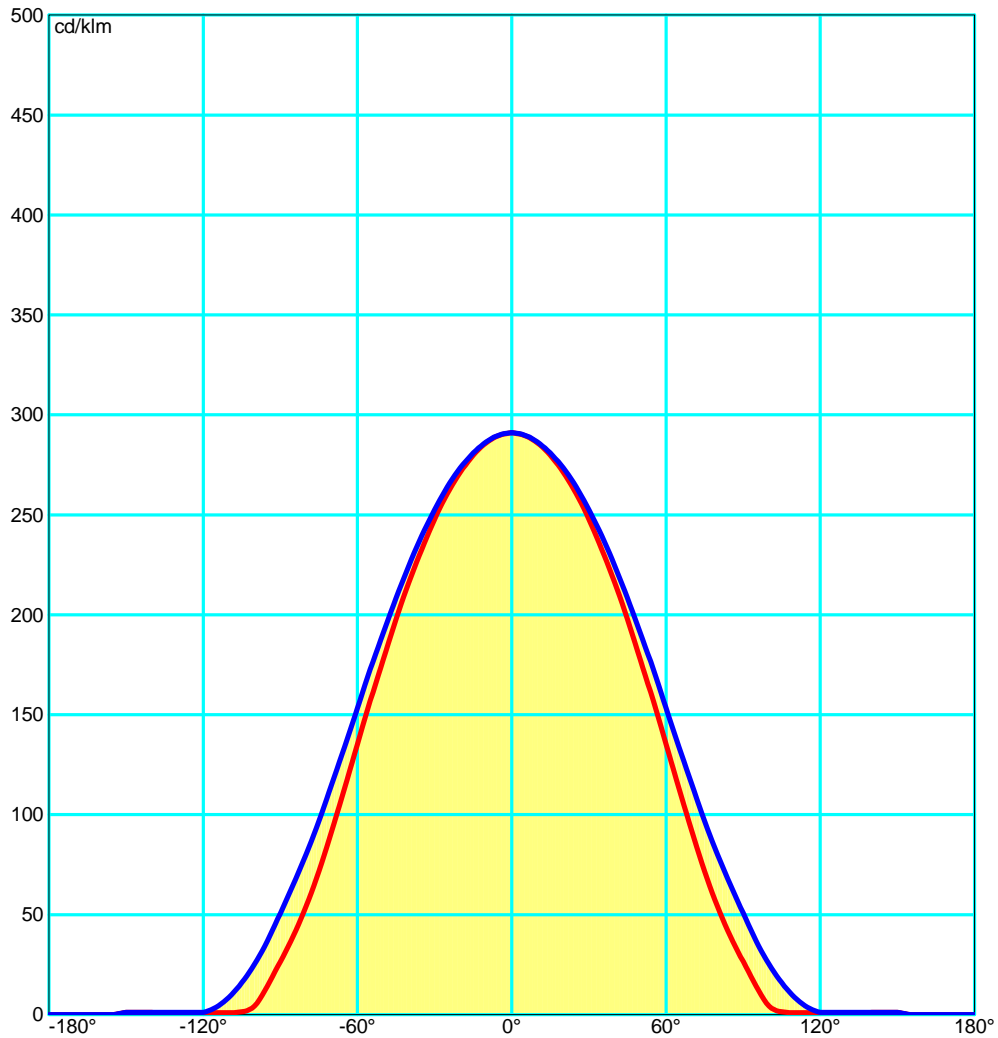
Luminaire Flux	484.80 lm	Luminaire Power	6.00 W	Efficacy	80.80 lm/W	Efficiency	100.00%
Lamps Flux	484.80 lm	Maximum value	291.01 cd/klm	Position	C=0.00 G=0.00	CG	Double Symmetrical

119mm x 173mm



C Halfplanes

180.0 ———— 0.0  
 270.0 ———— 90.0



**Luminaire**

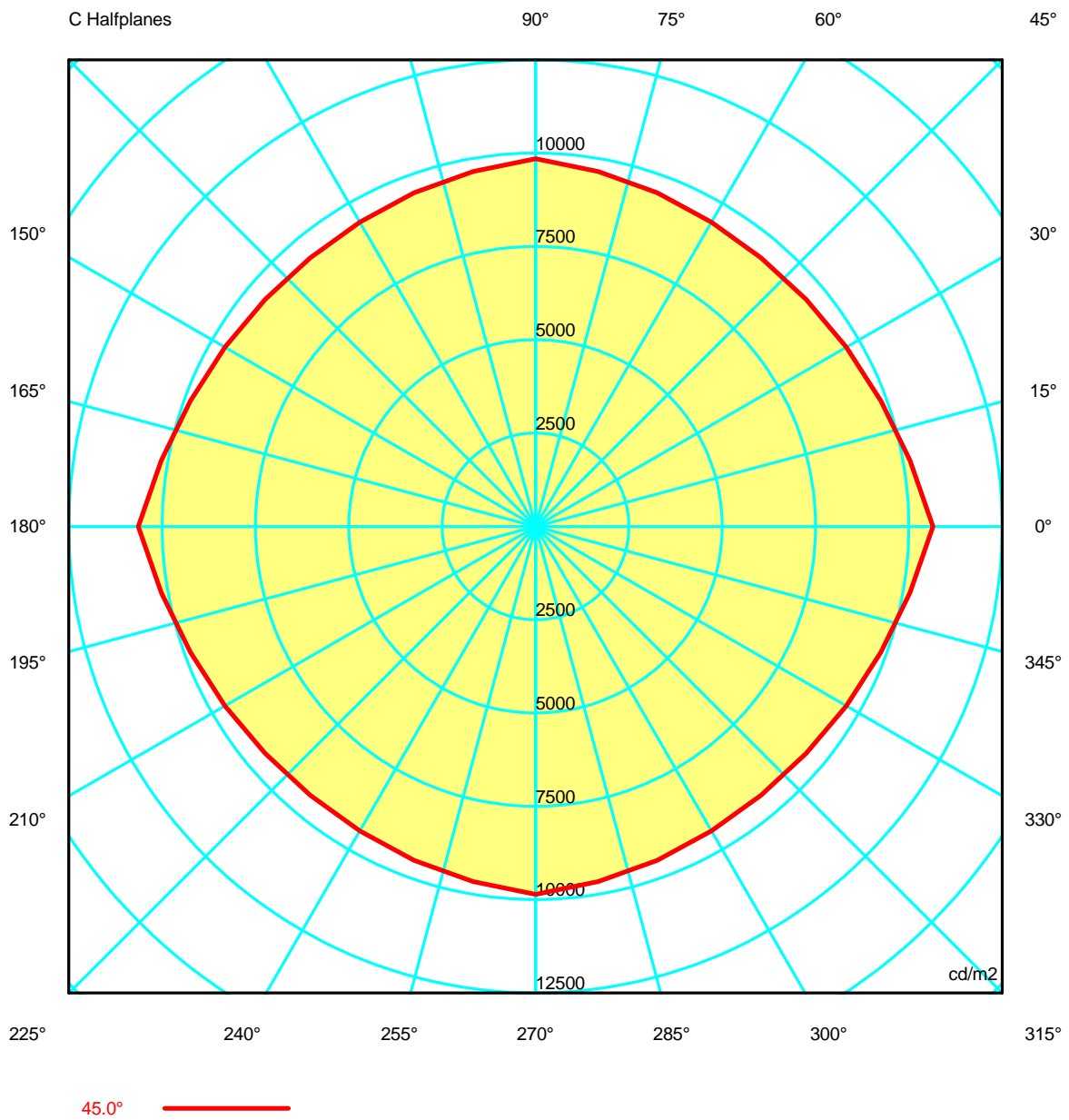
Code PX-0136-BLA  
 Name Aplique 30 leds 5W 4000K

**Measur.**

Code PX-0136-NEG  
 Name Aplique 30 leds 5W 4000K

Luminaire Flux	484.80 lm	Luminaire Power	6.00 W	Efficacy	80.80 lm/W	Efficiency	100.00%
Lamps Flux	484.80 lm	Maximum value	291.01 cd/klm	Position	C=0.00 G=0.00	CG	Double Symmetrical

Luminance





**Luminaire**

Code PX-0136-BLA  
Name Applique 30 leds 5W 4000K

**Measur.**

Code PX-0136-NEG  
Name Applique 30 leds 5W 4000K

Luminaire Flux	484.80 lm	Luminaire Power	6.00 W	Efficacy	80.80 lm/W	Efficiency	100.00%
Lamps Flux	484.80 lm	Maximum value	291.01 cd/klm	Position	C=0.00 G=0.00	CG	Double Symmetrical

**Luminance cd/m2 Table 1/3**

	C 0.00	C 10.00	C 20.00	C 30.00	C 40.00	C 50.00	C 60.00	C 70.00	C 80.00	C 90.00	C 100.00	C 110.00	C 120.00
G 0.0	12973.15	12973.15	12973.15	12973.15	12973.15	12973.15	12973.15	12973.15	12973.15	12973.15	12973.15	12973.15	12973.15
G 5.0	12769.77	12711.96	12660.19	12616.83	12585.67	12565.62	12556.86	12561.23	12576.98	12603.84	12576.98	12561.23	12556.86
G 10.0	12563.34	12448.67	12349.44	12268.93	12210.55	12172.25	12155.18	12163.24	12192.88	12243.65	12192.88	12163.24	12155.18
G 15.0	12346.28	12178.51	12035.16	11920.89	11840.17	11788.36	11767.82	11785.64	11831.72	11902.09	11831.72	11785.64	11767.82
G 20.0	12106.44	11898.45	11716.05	11568.42	11471.33	11413.71	11391.89	11412.96	11471.97	11567.01	11471.97	11412.96	11391.89
G 25.0	11868.36	11599.75	11378.89	11209.39	11092.95	11031.87	11019.62	11045.39	11116.40	11238.11	11116.40	11045.39	11019.62
G 30.0	11598.10	11285.56	11035.80	10847.25	10711.76	10634.93	10623.00	10674.27	10761.83	10895.81	10761.83	10674.27	10623.00
G 35.0	11299.30	10953.30	10666.78	10449.22	10316.04	10253.50	10249.17	10299.44	10404.19	10567.94	10404.19	10299.44	10249.17
G 40.0	10995.03	10590.29	10267.51	10035.73	9903.12	9847.02	9852.19	9916.65	10036.04	10215.63	10036.04	9916.65	9852.19
G 45.0	10640.75	10178.14	9839.26	9611.23	9460.17	9393.88	9416.78	9515.99	9661.39	9853.91	9661.39	9515.99	9416.78
G 50.0	10220.74	9739.84	9373.63	9127.25	9002.60	8968.44	9001.53	9095.04	9250.92	9481.36	9250.92	9095.04	9001.53
G 55.0	9791.59	9266.99	8880.41	8633.85	8521.70	8500.43	8545.28	8656.83	8836.44	9097.10	8836.44	8656.83	8545.28
G 60.0	9280.25	8715.70	8339.54	8128.36	8028.07	8006.74	8063.36	8208.64	8405.55	8657.79	8405.55	8208.64	8063.36
G 65.0	8716.75	8134.90	7774.35	7593.72	7515.88	7524.68	7607.78	7747.99	7949.15	8236.24	7949.15	7747.99	7607.78
G 70.0	8124.59	7533.40	7180.78	7024.26	6992.89	7046.67	7153.96	7296.43	7511.36	7839.91	7511.36	7296.43	7153.96
G 75.0	7518.75	6924.20	6610.42	6514.53	6533.38	6585.42	6680.72	6879.52	7108.21	7429.48	7108.21	6879.52	6680.72
G 80.0	7031.09	6372.39	6075.56	6026.06	6071.78	6166.78	6310.07	6514.99	6773.78	7124.12	6773.78	6514.99	6310.07
G 85.0	6776.51	5933.75	5584.14	5547.90	5639.65	5793.22	5977.65	6185.50	6476.31	6925.43	6476.31	6185.50	5977.65
G 90.0	6848.60	5579.14	5127.24	5107.34	5233.32	5406.79	5627.63	5933.42	6273.59	6785.51	6273.59	5933.42	5627.63



**Luminaire**

Code PX-0136-BLA  
Name Aplique 30 leds 5W 4000K

**Measur.**

Code PX-0136-NEG  
Name Aplique 30 leds 5W 4000K

Luminaire Flux	484.80 lm	Luminaire Power	6.00 W	Efficacy	80.80 lm/W	Efficiency	100.00%
Lamps Flux	484.80 lm	Maximum value	291.01 cd/klm	Position	C=0.00 G=0.00	CG	Double Symmetrical

**Luminance cd/m2 Table 2/3**

	C 130.00	C 140.00	C 150.00	C 160.00	C 170.00	C 180.00	C 190.00	C 200.00	C 210.00	C 220.00	C 230.00	C 240.00	C 250.00
G 0.0	12973.15	12973.15	12973.15	12973.15	12973.15	12973.15	12973.15	12973.15	12973.15	12973.15	12973.15	12973.15	12973.15
G 5.0	12565.62	12585.67	12616.83	12660.19	12711.96	12769.77	12711.96	12660.19	12616.83	12585.67	12565.62	12556.86	12561.23
G 10.0	12172.25	12210.55	12268.93	12349.44	12448.67	12563.34	12448.67	12349.44	12268.93	12210.55	12172.25	12155.18	12163.24
G 15.0	11788.36	11840.17	11920.89	12035.16	12178.51	12346.28	12178.51	12035.16	11920.89	11840.17	11788.36	11767.82	11785.64
G 20.0	11413.71	11471.33	11568.42	11716.05	11898.45	12106.44	11898.45	11716.05	11568.42	11471.33	11413.71	11391.89	11412.96
G 25.0	11031.87	11092.95	11209.39	11378.89	11599.75	11868.36	11599.75	11378.89	11209.39	11092.95	11031.87	11019.62	11045.39
G 30.0	10634.93	10711.76	10847.25	11035.80	11285.56	11598.10	11285.56	11035.80	10847.25	10711.76	10634.93	10623.00	10674.27
G 35.0	10253.50	10316.04	10449.22	10666.78	10953.30	11299.30	10953.30	10666.78	10449.22	10316.04	10253.50	10249.17	10299.44
G 40.0	9847.02	9903.12	10035.73	10267.51	10590.29	10995.03	10590.29	10267.51	10035.73	9903.12	9847.02	9852.19	9916.65
G 45.0	9393.88	9460.17	9611.23	9839.26	10178.14	10640.75	10178.14	9839.26	9611.23	9460.17	9393.88	9416.78	9515.99
G 50.0	8968.44	9002.60	9127.25	9373.63	9739.84	10220.74	9739.84	9373.63	9127.25	9002.60	8968.44	9001.53	9095.04
G 55.0	8500.43	8521.70	8633.85	8880.41	9266.99	9791.59	9266.99	8880.41	8633.85	8521.70	8500.43	8545.28	8656.83
G 60.0	8006.74	8028.07	8128.36	8339.54	8715.70	9280.25	8715.70	8339.54	8128.36	8028.07	8006.74	8063.36	8208.64
G 65.0	7524.68	7515.88	7593.72	7774.35	8134.90	8716.75	8134.90	7774.35	7593.72	7515.88	7524.68	7607.78	7747.99
G 70.0	7046.67	6992.89	7024.26	7180.78	7533.40	8124.59	7533.40	7180.78	7024.26	6992.89	7046.67	7153.96	7296.43
G 75.0	6585.42	6533.38	6514.53	6610.42	6924.20	7518.75	6924.20	6610.42	6514.53	6533.38	6585.42	6680.72	6879.52
G 80.0	6166.78	6071.78	6026.06	6075.56	6372.39	7031.09	6372.39	6075.56	6026.06	6071.78	6166.78	6310.07	6514.99
G 85.0	5793.22	5639.65	5547.90	5584.14	5933.75	6776.51	5933.75	5584.14	5547.90	5639.65	5793.22	5977.65	6185.50
G 90.0	5406.79	5233.32	5107.34	5127.24	5579.14	6848.60	5579.14	5127.24	5107.34	5233.32	5406.79	5627.63	5933.42

**Luminaire**

Code PX-0136-BLA  
Name Aplique 30 leds 5W 4000K

**Measur.**

Code PX-0136-NEG  
Name Aplique 30 leds 5W 4000K

Luminaire Flux	484.80 lm	Luminaire Power	6.00 W	Efficacy	80.80 lm/W	Efficiency	100.00%
Lamps Flux	484.80 lm	Maximum value	291.01 cd/klm	Position	C=0.00 G=0.00	CG	Double Symmetrical

**Luminance cd/m2 Table 3/3**

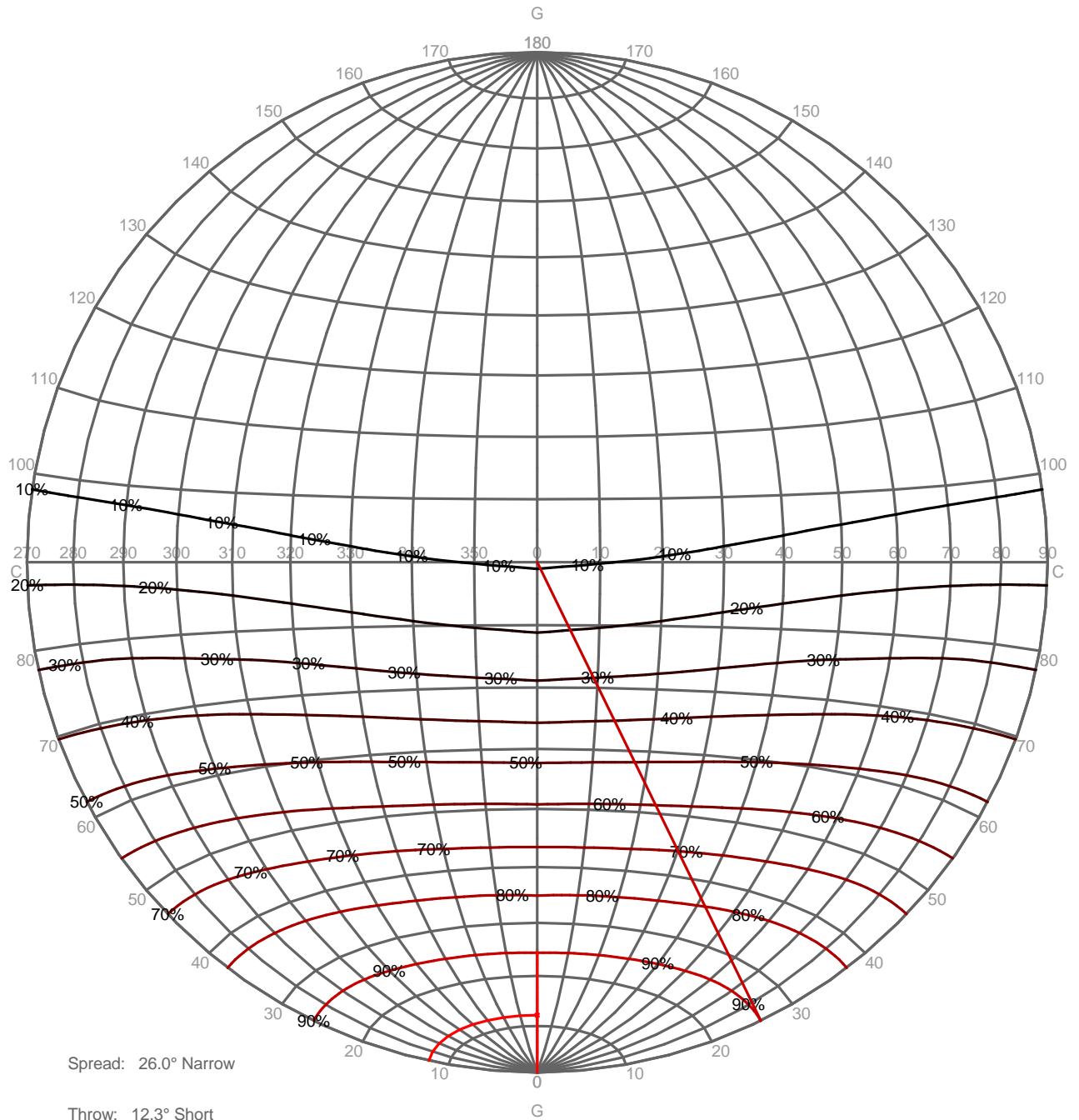
	C 260.00	C 270.00	C 280.00	C 290.00	C 300.00	C 310.00	C 320.00	C 330.00	C 340.00	C 350.00
G 0.0	12973.15	12973.15	12973.15	12973.15	12973.15	12973.15	12973.15	12973.15	12973.15	12973.15
G 5.0	12576.98	12603.84	12576.98	12561.23	12556.86	12565.62	12585.67	12616.83	12660.19	12711.96
G 10.0	12192.88	12243.65	12192.88	12163.24	12155.18	12172.25	12210.55	12268.93	12349.44	12448.67
G 15.0	11831.72	11902.09	11831.72	11785.64	11767.82	11788.36	11840.17	11920.89	12035.16	12178.51
G 20.0	11471.97	11567.01	11471.97	11412.96	11391.89	11413.71	11471.33	11568.42	11716.05	11898.45
G 25.0	11116.40	11238.11	11116.40	11045.39	11019.62	11031.87	11092.95	11209.39	11378.89	11599.75
G 30.0	10761.83	10895.81	10761.83	10674.27	10623.00	10634.93	10711.76	10847.25	11035.80	11285.56
G 35.0	10404.19	10567.94	10404.19	10299.44	10249.17	10253.50	10316.04	10449.22	10666.78	10953.30
G 40.0	10036.04	10215.63	10036.04	9916.65	9852.19	9847.02	9903.12	10035.73	10267.51	10590.29
G 45.0	9661.39	9853.91	9661.39	9515.99	9416.78	9393.88	9460.17	9611.23	9839.26	10178.14
G 50.0	9250.92	9481.36	9250.92	9095.04	9001.53	8968.44	9002.60	9127.25	9373.63	9739.84
G 55.0	8836.44	9097.10	8836.44	8656.83	8545.28	8500.43	8521.70	8633.85	8880.41	9266.99
G 60.0	8405.55	8657.79	8405.55	8208.64	8063.36	8006.74	8028.07	8128.36	8339.54	8715.70
G 65.0	7949.15	8236.24	7949.15	7747.99	7607.78	7524.68	7515.88	7593.72	7774.35	8134.90
G 70.0	7511.36	7839.91	7511.36	7296.43	7153.96	7046.67	6992.89	7024.26	7180.78	7533.40
G 75.0	7108.21	7429.48	7108.21	6879.52	6680.72	6585.42	6533.38	6514.53	6610.42	6924.20
G 80.0	6773.78	7124.12	6773.78	6514.99	6310.07	6166.78	6071.78	6026.06	6075.56	6372.39
G 85.0	6476.31	6925.43	6476.31	6185.50	5977.65	5793.22	5639.65	5547.90	5584.14	5933.75
G 90.0	6273.59	6785.51	6273.59	5933.42	5627.63	5406.79	5233.32	5107.34	5127.24	5579.14

**Luminaire**  
 Code PX-0136-BLA  
 Name Aplique 30 leds 5W 4000K  
**Measur.**  
 Code PX-0136-NEG  
 Name Aplique 30 leds 5W 4000K

Luminaire Flux	484.80 lm	Luminaire Power	6.00 W	Efficacy	80.80 lm/W	Efficiency	100.00%
Lamps Flux	484.80 lm	Maximum value	291.01 cd/klm	Position	C=0.00 G=0.00	CG	Double Symmetrical

**PERCENTAGE ISOCANDLES**

Projection: Equal Area SLI (glare) 6.7 Tight Tilting Angle:0°

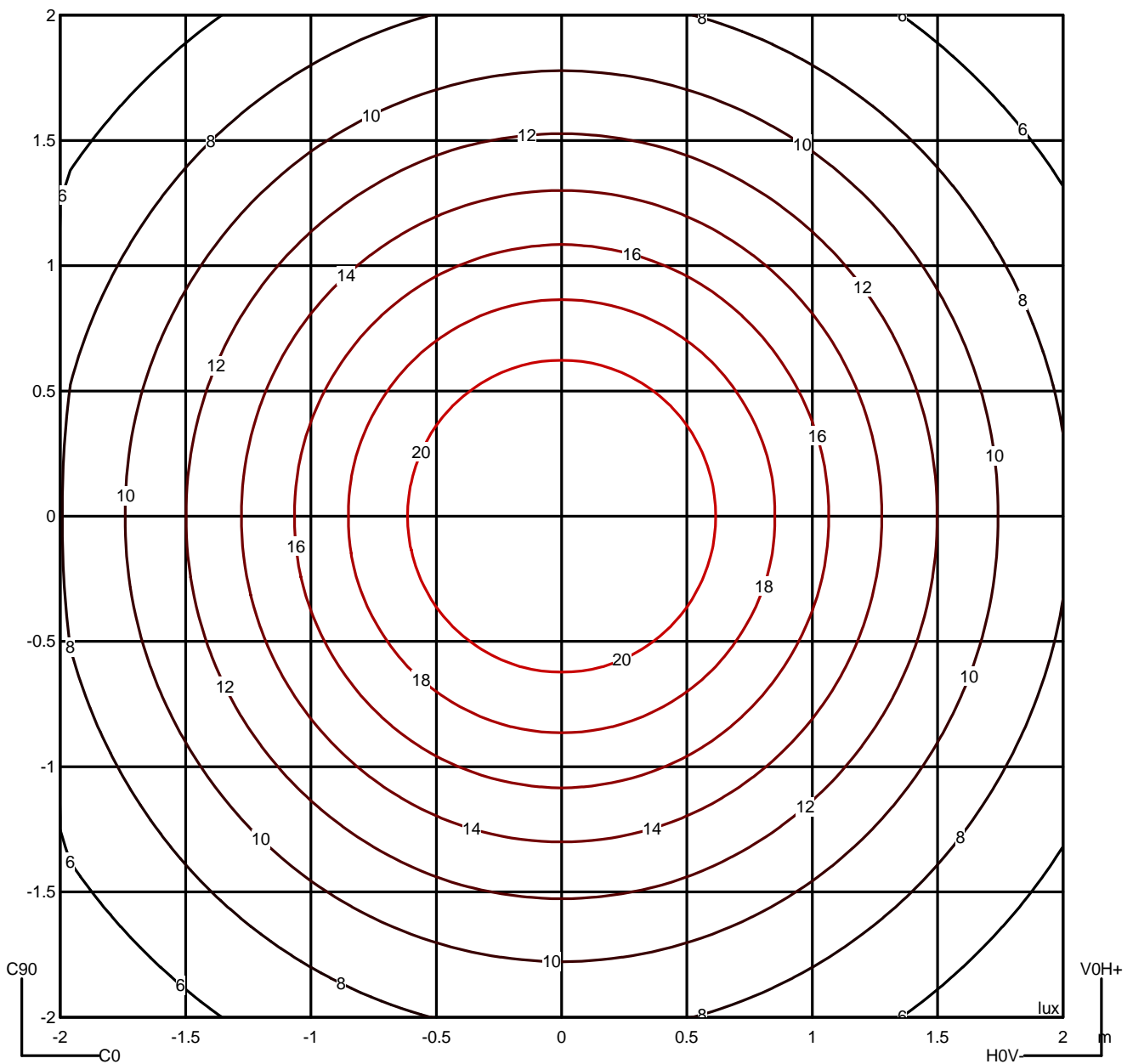


**Luminaire**  
 Code PX-0136-BLA  
 Name Aplique 30 leds 5W 4000K  
**Measur.**  
 Code PX-0136-NEG  
 Name Aplique 30 leds 5W 4000K

Luminaire Flux	484.80 lm	Luminaire Power	6.00 W	Efficacy	80.80 lm/W	Efficiency	100.00%
Lamps Flux	484.80 lm	Maximum value	291.01 cd/klm	Position	C=0.00 G=0.00	CG	Double Symmetrical

Isolux (Floor)

Luminaire position X=0.00m Y=0.00m Z=2.50m



**Luminaire**

Code PX-0136-BLA  
 Name Aplique 30 leds 5W 4000K

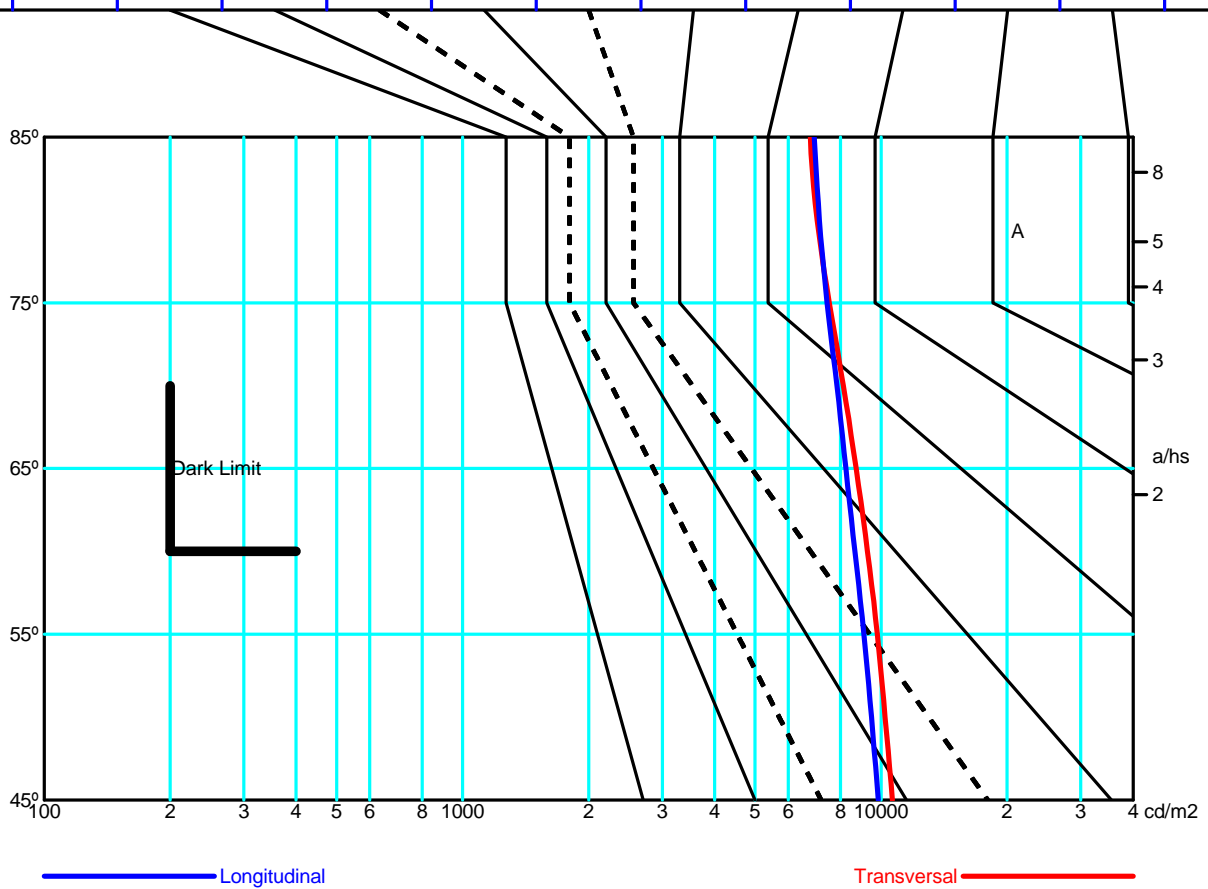
**Measur.**

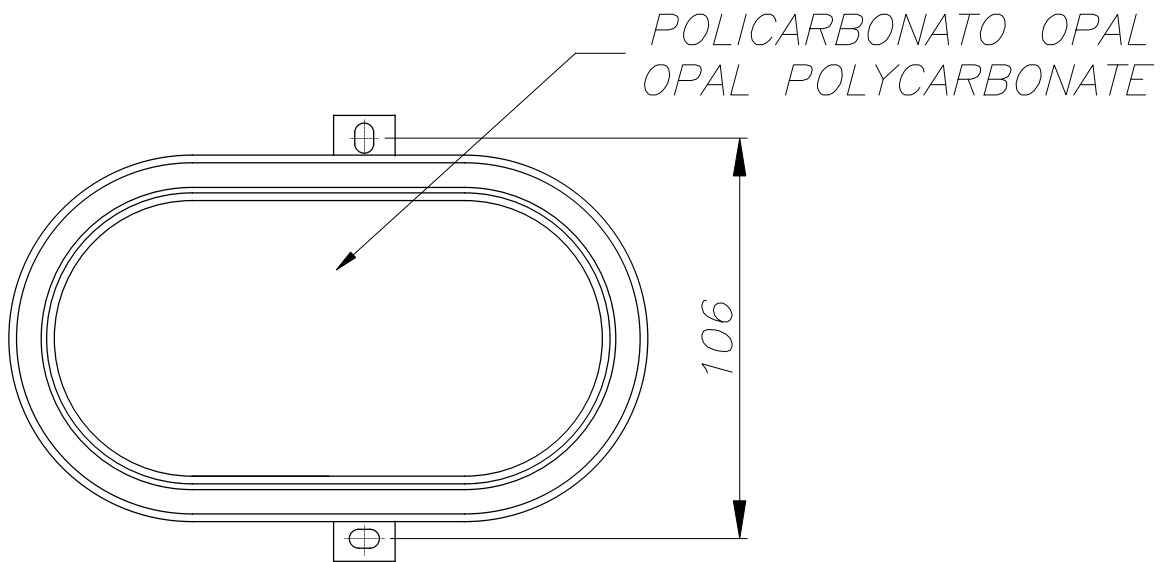
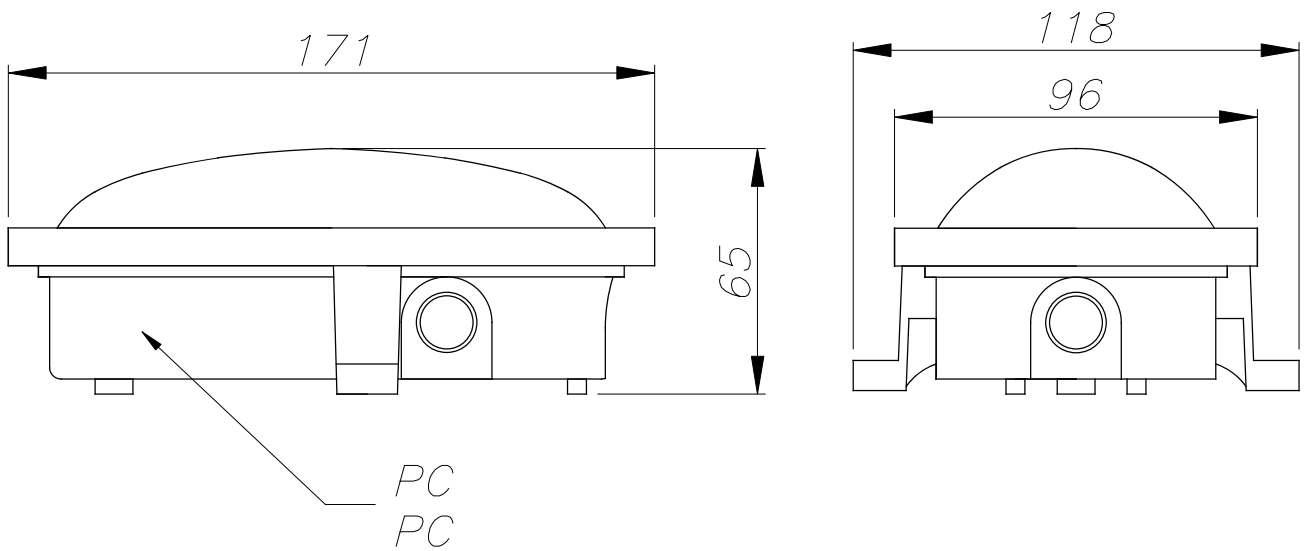
Code PX-0136-NEG  
 Name Aplique 30 leds 5W 4000K

Luminaire Flux	484.80 lm	Luminaire Power	6.00 W	Efficacy	80.80 lm/W	Efficiency	100.00%
Lamps Flux	484.80 lm	Maximum value	291.01 cd/klm	Position	C=0.00 G=0.00	CG	Double Symmetrical

		Average Luminance [cd/m²]									
		45°	50°	55°	60°	65°	70°	75°	80°	85°	
0.0°	10641	10221	9792	9280	8717	8125	7519	7031	6777	---	
90.0°	9854	9481	9097	8658	8236	7840	7429	7124	6925	---	

Flush mounted or longitudinal view												
		Illumination(lx)										
A	A	2000	1000	750	500		<300				1.15	
B	1		2000	1500	1000	750	500	<300			1.5	
C					2000		1000	500	<300		1.85	
D	2						2000	1000	500	<300	2.2	
E	3							2000	1000	500	<300	2.55





*PLANTILLA DE INSTALACIÓN*  
*INSTALLATION TEMPLATE*

