

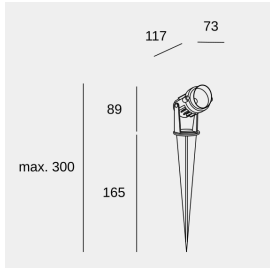
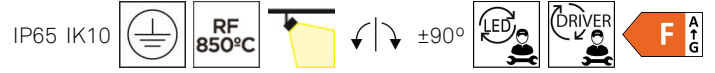


Minimal

PX-0144-NEG

Spotlight IP65 Minimal LED 6.8W 3000K ON-OFF Black 680.00

TECHNICAL FEATURES



Luminaire total power : 6.8W

Real lumens : 271

Nominal lumens : 680

Real lm/W : 40

Lens / reflector angle : FLOOD 69°

UGR : <=22

Structure material : Aluminium, Steel

Structure finish : Black

Diffuser material : Glass

Diffuser finish : Transparent

Voltage / frequency : 100-240V ~ 50/60Hz

Dimming protocol : ON-OFF

Power Factor : 0.40

Useful life : 36.000h L70B30

Warranty : 5 Years

Easily recyclable luminaire

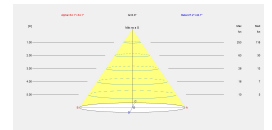
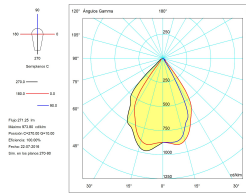
LUMINOTECHNIC FEATURES

CRI: 80

MacAdam steps: 3

Photobiological risk: RG1

Lampholder	Quantity	Light source power (W)	Correlated Colour Temperature (CCT)
LED	1	5.7W	3000K



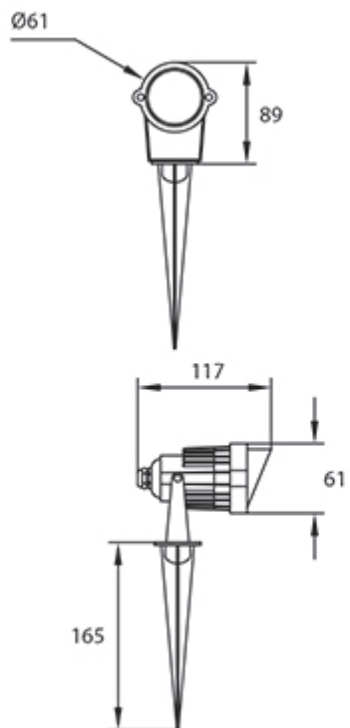
LOGISTICS

Net weight (kg): 0.32

Packaged weight (kg): 0.38

Packaging: 80mm x 75mm x 165mm





Luminaire

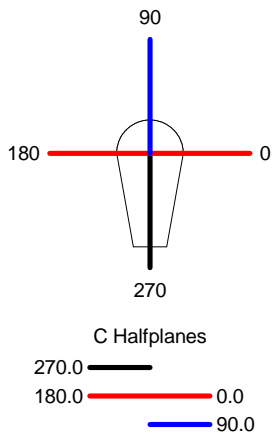
Code PX-0144-NEG
 Name Foco 1 x led COB 5.7W 3000K

Measur.

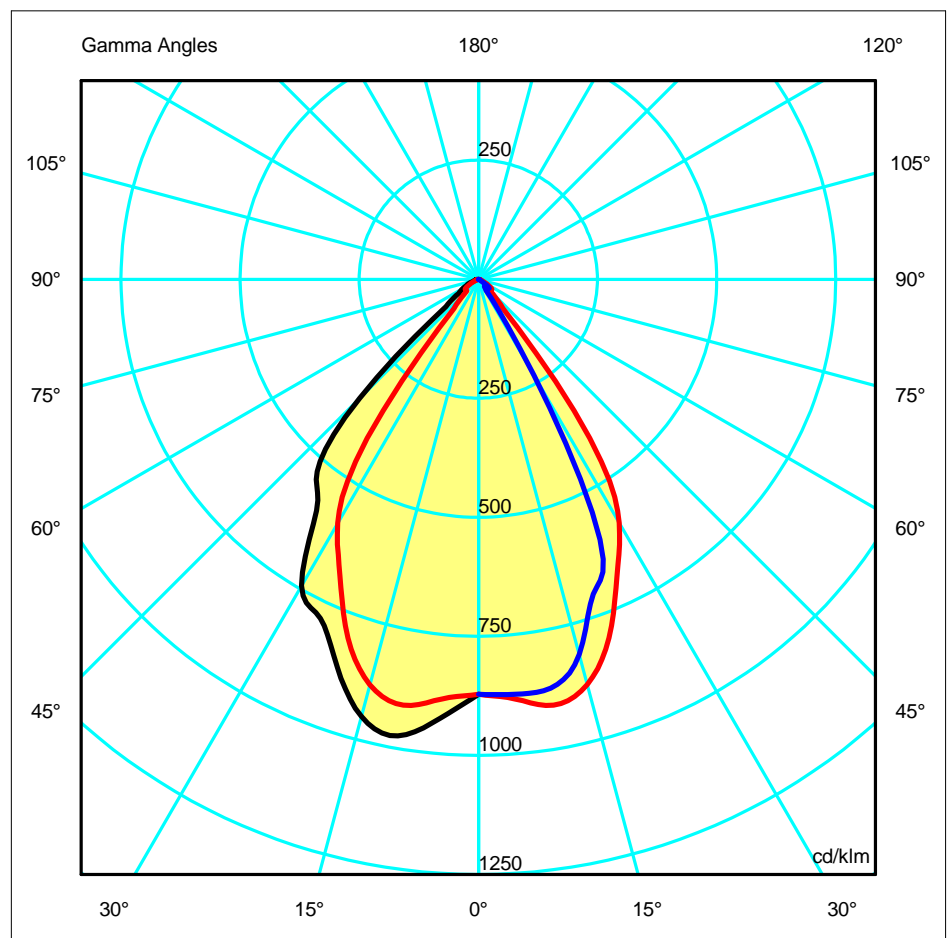
Code PX-0144-NEG
 Name Foco 1 x led COB 5.7W 3000K

Luminaire Flux	271.25 lm	Luminaire Power	7.00 W	Efficacy	38.75 lm/W	Efficiency	100.00%
Lamps Flux	271.25 lm	Maximum value	973.80 cd/klm	Position	C=270.00 G=10.00	CG Sym. on planes 270-90	
Round Luminaire		Diam.	60 mm	Height	100 mm		
Round Luminous Area		Diam.	46 mm	Height	0 mm		
Horizontal Luminous Area		0.001662 m2		Emitting area on Plane 180°		0.000000 m2	
Emitting area on Plane 0°		0.000000 m2		Emitting area on Plane 270°		0.000000 m2	
Emitting area on Plane 90°		0.000000 m2		Glare area at 76°		0.000402 m2	
Coordinate system		CG Roads		Symmetry Type		Sym. on planes 270-90	
Date		22-07-2016		Maximum Gamma Angle		90	
Measurement Distance		0.00		Measurement Flux		271.25 lm	
Operator		Asselum T3		Source Voltage [V]			
Temperature		25.00 °C		Source current [A]			
Humidity		60.00 %		Photocell			
Notes							

Line	Luminaire Lamps					
	Code	Name	Flux [lm]	Pow. [W]	Q.ty	
	PX-0144-NEG	PX-0144-NEG - 7.00 W	271.25	7.00	1	
C.I.E.	88 98 100 100 100	D DIN 5040	A60			



ULOR 0.00 %
 DLOR 100.00 %
 RN 0.00 %





Luminaire

Code PX-0144-NEG
Name Foco 1 x led COB 5.7W 3000K

Measur.

Code PX-0144-NEG
Name Foco 1 x led COB 5.7W 3000K

Luminaire Flux	271.25 lm	Luminaire Power	7.00 W	Efficacy	38.75 lm/W	Efficiency	100.00%
Lamps Flux	271.25 lm	Maximum value	973.80 cd/klm	Position	C=270.00 G=10.00	CG	Sym. on planes 270-90

Luminous Intensity Table cd/klm Table 1/1

	C 270.00	C 285.00	C 300.00	C 315.00	C 330.00	C 345.00	C 0.00	C 15.00	C 30.00	C 45.00	C 60.00	C 75.00	C 90.00
G 0.0	871.63	871.63	871.63	871.63	871.63	871.63	871.63	871.63	871.63	871.63	871.63	871.63	871.63
G 5.0	925.17	921.09	914.48	904.70	896.24	887.76	884.59	881.78	881.17	879.20	876.62	875.36	874.65
G 10.0	973.80	967.85	957.76	943.67	928.16	916.15	907.94	900.39	893.68	883.20	879.62	874.31	871.53
G 15.0	950.12	947.71	940.01	928.27	910.86	895.33	880.83	864.82	850.82	836.09	823.24	817.55	815.88
G 20.0	866.80	866.30	860.39	851.49	836.47	822.79	801.23	781.20	762.10	743.50	721.93	707.08	703.69
G 25.0	785.29	782.64	775.22	766.49	745.11	727.70	687.39	652.30	634.00	622.66	616.15	607.37	603.26
G 30.0	743.16	740.20	716.75	684.00	631.23	608.85	590.61	574.38	515.10	412.68	323.12	264.66	233.01
G 35.0	592.40	589.12	573.19	566.68	559.86	528.05	406.90	255.94	118.81	57.61	32.44	28.73	27.71
G 40.0	527.08	527.82	514.35	467.07	341.16	201.05	80.14	33.63	28.01	24.42	21.74	19.42	18.85
G 45.0	353.55	334.96	255.78	154.58	65.42	40.43	34.40	29.09	26.59	25.17	23.87	22.66	22.46
G 50.0	89.32	77.94	57.50	51.29	44.25	40.70	35.72	34.10	33.23	31.17	31.14	29.42	29.71
G 55.0	50.10	45.07	41.85	39.87	40.57	40.75	33.25	33.90	32.68	25.24	21.69	17.53	17.65
G 60.0	35.81	33.01	32.70	31.43	31.09	29.08	20.98	18.68	17.00	13.30	10.44	7.45	6.68
G 65.0	24.80	22.87	20.95	18.57	16.25	14.28	11.62	9.20	6.43	4.30	2.79	1.99	1.50
G 70.0	12.62	12.15	11.54	10.59	9.49	8.18	6.37	4.30	2.88	1.42	0.45	0.42	0.43
G 75.0	8.26	7.99	7.63	7.04	6.17	4.74	3.43	2.12	0.99	0.56	0.58	0.60	0.62
G 80.0	5.82	5.51	5.15	4.54	3.70	2.75	1.80	1.03	0.73	0.74	0.77	0.81	0.84
G 85.0	3.83	3.69	3.29	2.74	2.20	1.65	1.19	0.90	0.91	0.93	0.97	1.01	1.05
G 90.0	2.66	2.56	2.31	2.00	1.64	1.29	1.07	1.08	1.09	1.10	1.15	1.21	1.25

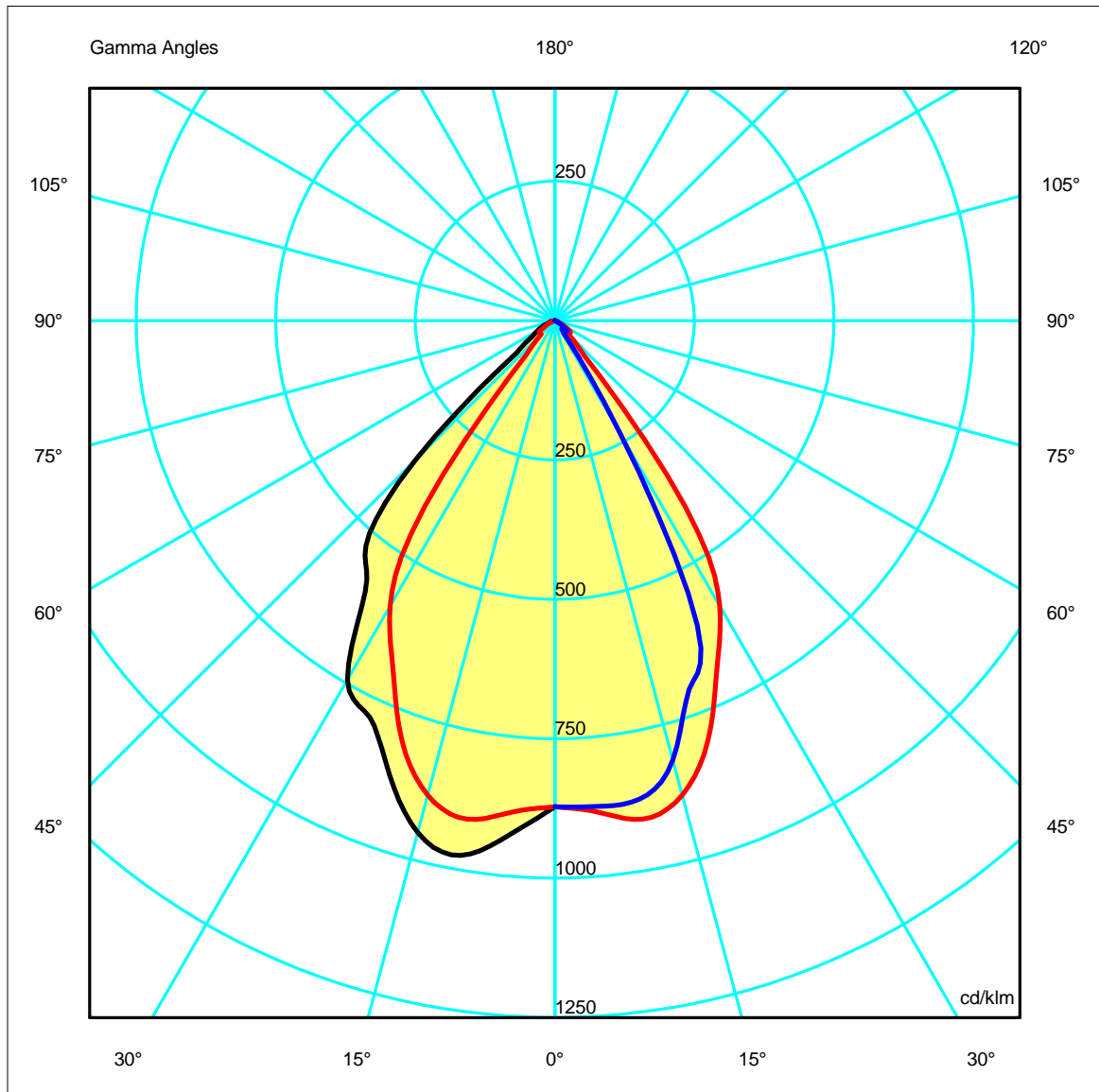
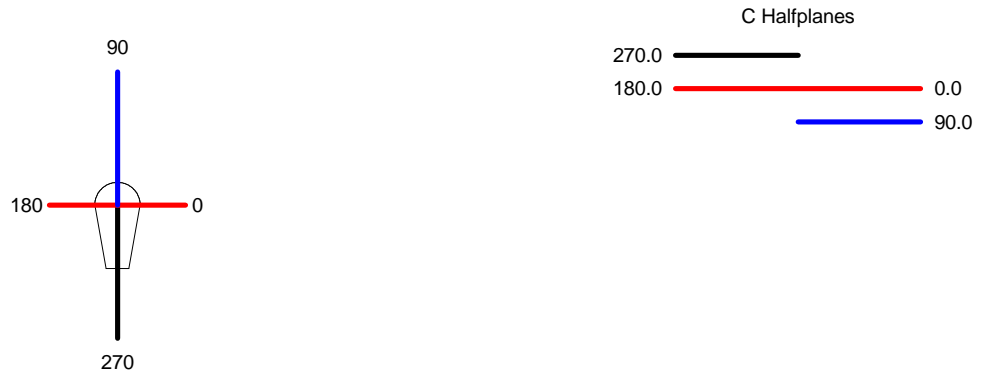
Luminaire

Code PX-0144-NEG
 Name Foco 1 x led COB 5.7W 3000K

Measur.

Code PX-0144-NEG
 Name Foco 1 x led COB 5.7W 3000K

Luminaire Flux	271.25 lm	Luminaire Power	7.00 W	Efficacy	38.75 lm/W	Efficiency	100.00%
Lamps Flux	271.25 lm	Maximum value	973.80 cd/klm	Position	C=270.00 G=10.00	CG	Sym. on planes 270-90



Luminaire

Code PX-0144-NEG
Name Foco 1 x led COB 5.7W 3000K

Measur.

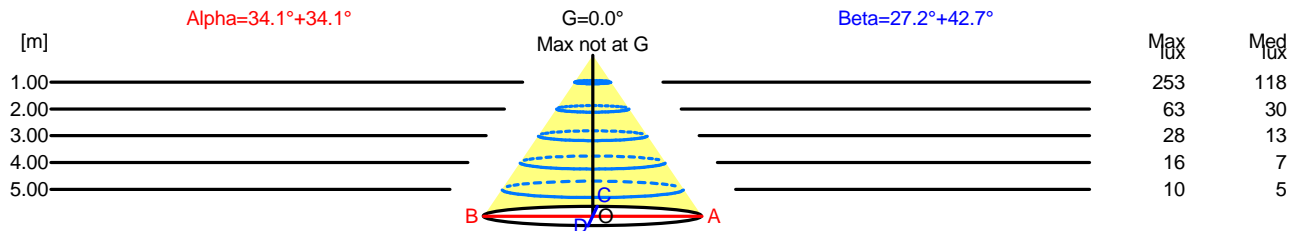
Code PX-0144-NEG
Name Foco 1 x led COB 5.7W 3000K

Luminaire Flux	271.25 lm	Luminaire Power	7.00 W	Efficacy	38.75 lm/W	Efficiency	100.00%
Lamps Flux	271.25 lm	Maximum value	973.80 cd/klm	Position	C=270.00 G=10.00	CG	Sym. on planes 270-90

Width at 50.00 % of Max Intensity

H[m]	1.00	2.00	3.00	4.00	5.00	H[m]	1.00	2.00	3.00	4.00	5.00
OA	0.68	1.36	2.03	2.71	3.39	OC	0.51	1.03	1.54	2.06	2.57
OB	0.68	1.36	2.03	2.71	3.39	OD	0.92	1.85	2.77	3.70	4.62

	Luminous Intensities [cd/klm]									
	0	5	15	25	35	45	55	65	75	85
OA	236.43	239.95	238.93	186.45	110.37	9.33	9.02	3.15	0.93	0.32
OB	236.43	239.95	238.93	186.45	110.37	9.33	9.02	3.15	0.93	0.32
OC	236.43	237.25	221.31	163.63	7.52	6.09	4.79	0.41	0.17	0.28
OD	236.43	250.95	257.72	213.01	160.69	95.90	13.59	6.73	2.24	1.04



H[m]	D[m]	Max lux	Med lux	Alpha=34.1°+34.1°	G=0.0 Max not at G
1.00	1.36	253	118		
2.00	2.71	63	30		
3.00	4.07	28	13		
4.00	5.42	16	7		
5.00	6.78	10	5		

H[m]	D[m]	Max lux	Med lux	Beta=42.7°+27.2°	G=0.0 Max not at G
1.00	1.44	253	118		
2.00	2.88	63	30		
3.00	4.31	28	13		
4.00	5.75	16	7		
5.00	7.19	10	5		

Luminaire

Code PX-0144-NEG
Name Foco 1 x led COB 5.7W 3000K

Measurement

Code PX-0144-NEG
Name Foco 1 x led COB 5.7W 3000K

Luminaire Flux	271.25 lm	Luminaire Power	7.00 W	Efficacy	38.75 lm/W	Efficiency	100.00%
Lamps Flux	271.25 lm	Maximum value	973.80 cd/klm	Position	C=270.00 G=10.00	CG	Sym. on planes 270-90

UGR
S = 0.250

Reflectancies										
Ceiling/Cavity	0.7	0.7	0.5	0.5	0.3	0.7	0.7	0.5	0.5	0.3
Walls	0.5	0.3	0.5	0.3	0.3	0.5	0.3	0.5	0.3	0.3
WorkingPlane	0.2	0.2	0.2	0.2	0.2	0.2	0.2	0.2	0.2	0.2
RoomDimensions	ViewedCrosswise					ViewedEndwise				
x=2H y=2H	19.7	20.4	19.9	20.6	25.2	24.0	24.8	24.3	25.0	25.2
x=2H y=3H	19.6	20.3	19.9	20.5	25.2	24.0	24.7	24.3	24.9	25.2
x=2H y=4H	19.6	20.2	19.9	20.5	25.1	24.0	24.6	24.3	24.9	25.1
x=2H y=6H	19.5	20.1	19.8	20.4	25.1	23.9	24.5	24.3	24.8	25.1
x=2H y=8H	19.5	20.1	19.8	20.4	25.1	23.9	24.5	24.3	24.8	25.1
x=2H y=12H	19.5	20.0	19.8	20.3	25.1	23.9	24.5	24.3	24.8	25.1
x=4H y=2H	19.6	20.2	19.9	20.5	25.1	23.9	24.5	24.2	24.8	25.1
x=4H y=3H	19.6	20.1	19.9	20.4	25.0	23.9	24.4	24.2	24.7	25.0
x=4H y=4H	19.6	20.0	19.9	20.4	25.0	23.9	24.3	24.2	24.7	25.0
x=4H y=6H	19.5	19.9	19.9	20.3	25.0	23.9	24.3	24.3	24.6	25.0
x=4H y=8H	19.5	19.8	19.9	20.2	25.0	23.9	24.2	24.3	24.6	25.0
x=4H y=12H	19.5	19.8	19.9	20.2	25.0	23.9	24.2	24.3	24.6	25.0
x=8H y=4H	19.5	19.9	19.9	20.2	24.9	23.8	24.1	24.2	24.5	24.9
x=8H y=6H	19.5	19.7	19.9	20.2	24.9	23.8	24.1	24.2	24.5	24.9
x=8H y=8H	19.4	19.7	19.9	20.1	25.0	23.8	24.0	24.3	24.5	25.0
x=8H y=12H	19.4	19.6	19.9	20.1	25.0	23.8	24.0	24.3	24.5	25.0
x=12H y=4H	19.5	19.8	19.9	20.2	24.9	23.7	24.1	24.2	24.5	24.9
x=12H y=6H	19.4	19.7	19.9	20.1	24.9	23.8	24.0	24.2	24.4	24.9
x=12H y=8H	19.4	19.6	19.9	20.1	24.9	23.8	24.0	24.3	24.4	24.9

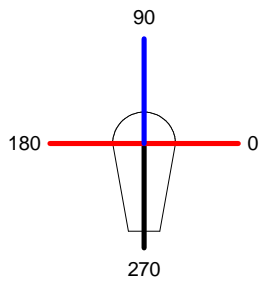
Luminaire

Code PX-0144-NEG
 Name Foco 1 x led COB 5.7W 3000K

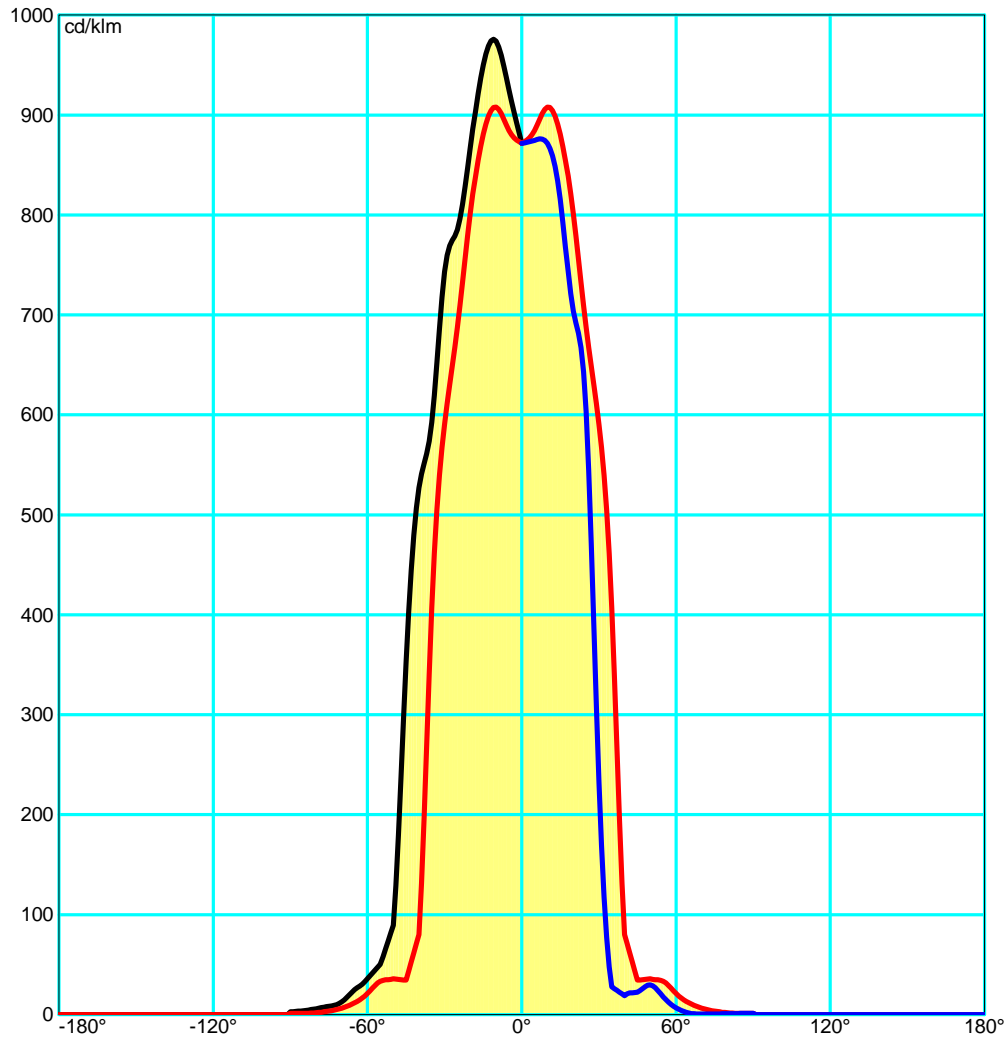
Measur.

Code PX-0144-NEG
 Name Foco 1 x led COB 5.7W 3000K

Luminaire Flux	271.25 lm	Luminaire Power	7.00 W	Efficacy	38.75 lm/W	Efficiency	100.00%
Lamps Flux	271.25 lm	Maximum value	973.80 cd/klm	Position	C=270.00 G=10.00	CG	Sym. on planes 270-90



C Halfplanes
 270.0 ————
 180.0 ———— 0.0
 ———— 90.0



Luminaire

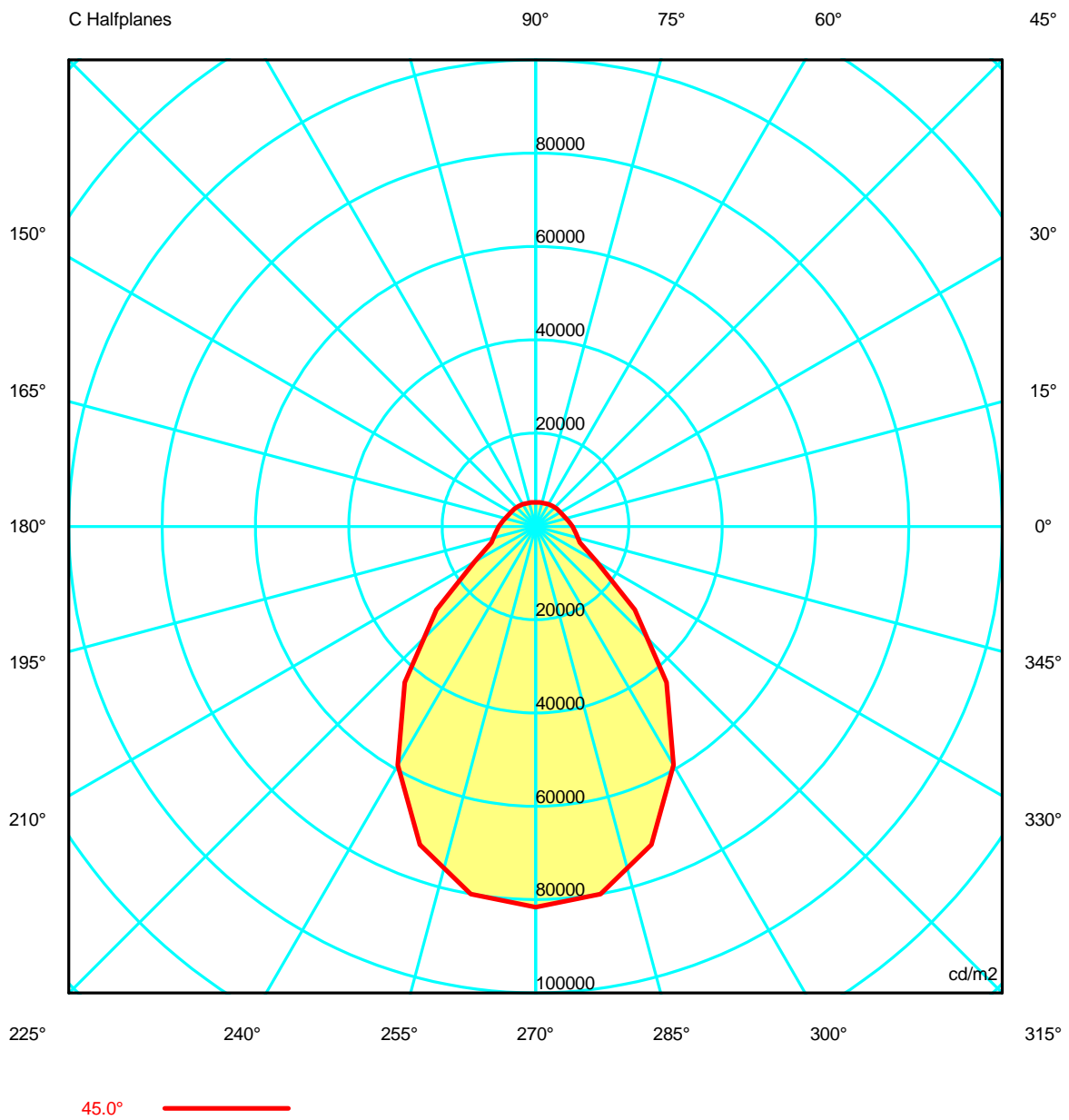
Code PX-0144-NEG
 Name Foco 1 x led COB 5.7W 3000K

Measur.

Code PX-0144-NEG
 Name Foco 1 x led COB 5.7W 3000K

Luminaire Flux	271.25 lm	Luminaire Power	7.00 W	Efficacy	38.75 lm/W	Efficiency	100.00%
Lamps Flux	271.25 lm	Maximum value	973.80 cd/klm	Position	C=270.00 G=10.00	CG	Sym. on planes 270-90

Luminance





Luminaire

Code PX-0144-NEG
 Name Foco 1 x led COB 5.7W 3000K

Measurerm.

Code PX-0144-NEG
 Name Foco 1 x led COB 5.7W 3000K

Luminaire Flux	271.25 lm	Luminaire Power	7.00 W	Efficacy	38.75 lm/W	Efficiency	100.00%
Lamps Flux	271.25 lm	Maximum value	973.80 cd/klm	Position	C=270.00 G=10.00	CG	Sym. on planes 270-90

Luminance cd/m2 Table 1/3

	C 0.00	C 10.00	C 20.00	C 30.00	C 40.00	C 50.00	C 60.00	C 70.00	C 80.00	C 90.00	C 100.00	C 110.00	C 120.00
G 0.0	142264.95	142264.95	142264.95	142264.95	142264.95	142264.95	142264.95	142264.95	142264.95	142264.95	142264.95	142264.95	142264.95
G 5.0	144931.91	144600.71	144413.85	144371.11	144187.54	143897.09	143625.19	143468.35	143377.85	143303.08	143377.85	143468.35	143625.19
G 10.0	150476.59	149610.38	148897.93	148113.88	146888.07	146089.78	145784.07	145201.35	144690.21	144441.91	144690.21	145201.35	145784.07
G 15.0	148838.23	147018.13	145317.03	143766.33	142117.39	140463.08	139105.56	138347.07	138013.06	137863.47	138013.06	138347.07	139105.56
G 20.0	139167.33	136802.22	134567.74	132370.06	130269.21	127897.87	125392.96	123441.99	122455.26	122224.76	122455.26	123441.99	125392.96
G 25.0	123790.89	119224.13	116112.20	114177.47	112695.27	111719.44	110962.16	109877.86	109035.37	108640.92	109035.37	109877.86	110962.16
G 30.0	111310.60	109725.70	105704.69	97079.90	84446.69	71553.13	60897.67	52878.01	47516.91	43915.06	47516.91	52878.01	60897.67
G 35.0	81075.08	61181.58	40855.62	23672.94	14220.34	9290.32	6463.50	5970.83	5693.51	5521.77	5693.51	5970.83	6463.50
G 40.0	17074.34	8901.89	6346.50	5967.23	5489.41	4979.18	4631.64	4274.76	4059.17	4017.24	4059.17	4274.76	4631.64
G 45.0	7941.11	7074.84	6454.10	6137.63	5912.01	5711.84	5510.10	5304.12	5214.54	5183.50	5214.54	5304.12	5510.10
G 50.0	9070.05	8710.40	8620.71	8438.46	8048.30	7911.74	7908.06	7610.20	7427.26	7543.25	7427.26	7610.20	7908.06
G 55.0	9462.68	9584.82	9759.13	9299.58	7866.25	6748.37	6172.03	5321.32	4863.40	5021.57	4863.40	5321.32	6172.03
G 60.0	6848.99	6179.19	5994.44	5550.01	4747.40	4007.29	3407.32	2710.71	2273.04	2179.14	2273.04	2710.71	3407.32
G 65.0	4487.25	3870.28	3199.34	2482.07	1903.78	1438.99	1075.94	848.78	700.70	578.45	700.70	848.78	1075.94
G 70.0	3041.51	2357.77	1801.21	1376.27	907.30	475.90	214.68	205.61	201.90	203.56	201.90	205.61	214.68
G 75.0	2163.51	1614.70	1067.83	622.23	394.60	355.16	362.89	376.39	382.39	391.27	382.39	376.39	362.89
G 80.0	1691.16	1166.35	822.51	686.11	679.43	705.89	724.20	747.23	769.07	786.35	769.07	747.23	724.20
G 85.0	2226.92	1802.19	1693.06	1710.88	1731.63	1753.14	1811.78	1872.39	1923.04	1965.27	1923.04	1872.39	1811.78
G 90.0	0.00	0.00	0.00	0.00	0.00	0.00	0.00	0.00	0.00	0.00	0.00	0.00	0.00



Luminaire

Code PX-0144-NEG
 Name Foco 1 x led COB 5.7W 3000K

Measur.

Code PX-0144-NEG
 Name Foco 1 x led COB 5.7W 3000K

Luminaire Flux	271.25 lm	Luminaire Power	7.00 W	Efficacy	38.75 lm/W	Efficiency	100.00%
Lamps Flux	271.25 lm	Maximum value	973.80 cd/klm	Position	C=270.00 G=10.00	CG Sym. on planes	270-90

Luminance cd/m2 Table 2/3

	C 130.00	C 140.00	C 150.00	C 160.00	C 170.00	C 180.00	C 190.00	C 200.00	C 210.00	C 220.00	C 230.00	C 240.00	C 250.00
G 0.0	142264.95	142264.95	142264.95	142264.95	142264.95	142264.95	142264.95	142264.95	142264.95	142264.95	142264.95	142264.95	142264.95
G 5.0	143897.09	144187.54	144371.11	144413.85	144600.71	144931.91	145205.83	145845.17	146840.21	147749.77	148759.37	149828.15	150618.05
G 10.0	146089.78	146888.07	148113.88	148897.93	149610.38	150476.59	151344.52	152413.57	153827.82	155527.22	157233.72	158733.10	159935.47
G 15.0	140463.08	142117.39	143766.33	145317.03	147018.13	148838.23	150488.92	152108.60	153911.50	155929.56	157627.58	158837.75	159798.61
G 20.0	127897.87	130269.21	132370.06	134567.74	136802.22	139167.33	141775.67	143795.10	145287.19	147075.09	148531.47	149442.05	150211.57
G 25.0	111719.44	112695.27	114177.47	116112.20	119224.13	123790.89	128995.61	132371.77	134186.97	136840.64	138795.18	139608.19	140536.21
G 30.0	71553.13	84446.69	97079.90	105704.69	109725.70	111310.60	113576.12	115751.81	118965.52	125572.42	131456.93	135083.32	138350.94
G 35.0	9290.32	14220.34	23672.94	40855.62	61181.58	81075.08	98880.68	108966.42	111552.21	112554.33	113192.95	114209.06	116413.38
G 40.0	4979.18	5489.41	5967.23	6346.50	8901.89	17074.34	33157.72	52692.07	72689.14	92014.89	104575.88	109589.27	111910.68
G 45.0	5711.84	5912.01	6137.63	6454.10	7074.84	7941.11	8814.18	10093.34	15100.42	27776.10	43630.30	59038.83	72597.80
G 50.0	7911.74	8048.30	8438.46	8620.71	8710.40	9070.05	9927.02	10610.90	11234.76	12479.03	13352.56	14600.40	18021.61
G 55.0	6748.37	7866.25	9299.58	9759.13	9584.82	9462.68	10929.06	11832.95	11544.27	11410.90	11469.51	11910.15	12469.49
G 60.0	4007.29	4747.40	5550.01	5994.44	6179.19	6848.99	8661.79	9711.60	10149.64	10223.51	10404.24	10673.16	10700.66
G 65.0	1438.99	1903.78	2482.07	3199.34	3870.28	4487.25	5189.02	5787.22	6275.66	6855.65	7492.51	8091.84	8595.13
G 70.0	475.90	907.30	1376.27	1801.21	2357.77	3041.51	3645.34	4130.89	4528.36	4884.73	5217.96	5506.78	5715.41
G 75.0	355.16	394.60	622.23	1067.83	1614.70	2163.51	2698.57	3300.38	3893.86	4292.89	4579.08	4812.87	4976.66
G 80.0	705.89	679.43	686.11	822.51	1166.35	1691.16	2284.90	2889.40	3475.10	4021.37	4487.50	4840.18	5077.92
G 85.0	1753.14	1731.63	1710.88	1693.06	1802.19	2226.92	2771.29	3419.78	4124.58	4800.65	5488.95	6165.13	6711.80
G 90.0	0.00	0.00	0.00	0.00	0.00	0.00	0.00	0.00	0.00	0.00	0.00	0.00	0.00



Luminaire

Code PX-0144-NEG
Name Foco 1 x led COB 5.7W 3000K

Measur.

Code PX-0144-NEG
Name Foco 1 x led COB 5.7W 3000K

Luminaire Flux	271.25 lm	Luminaire Power	7.00 W	Efficacy	38.75 lm/W	Efficiency	100.00%
Lamps Flux	271.25 lm	Maximum value	973.80 cd/klm	Position	C=270.00 G=10.00	CG	Sym. on planes 270-90

Luminance cd/m2 Table 3/3

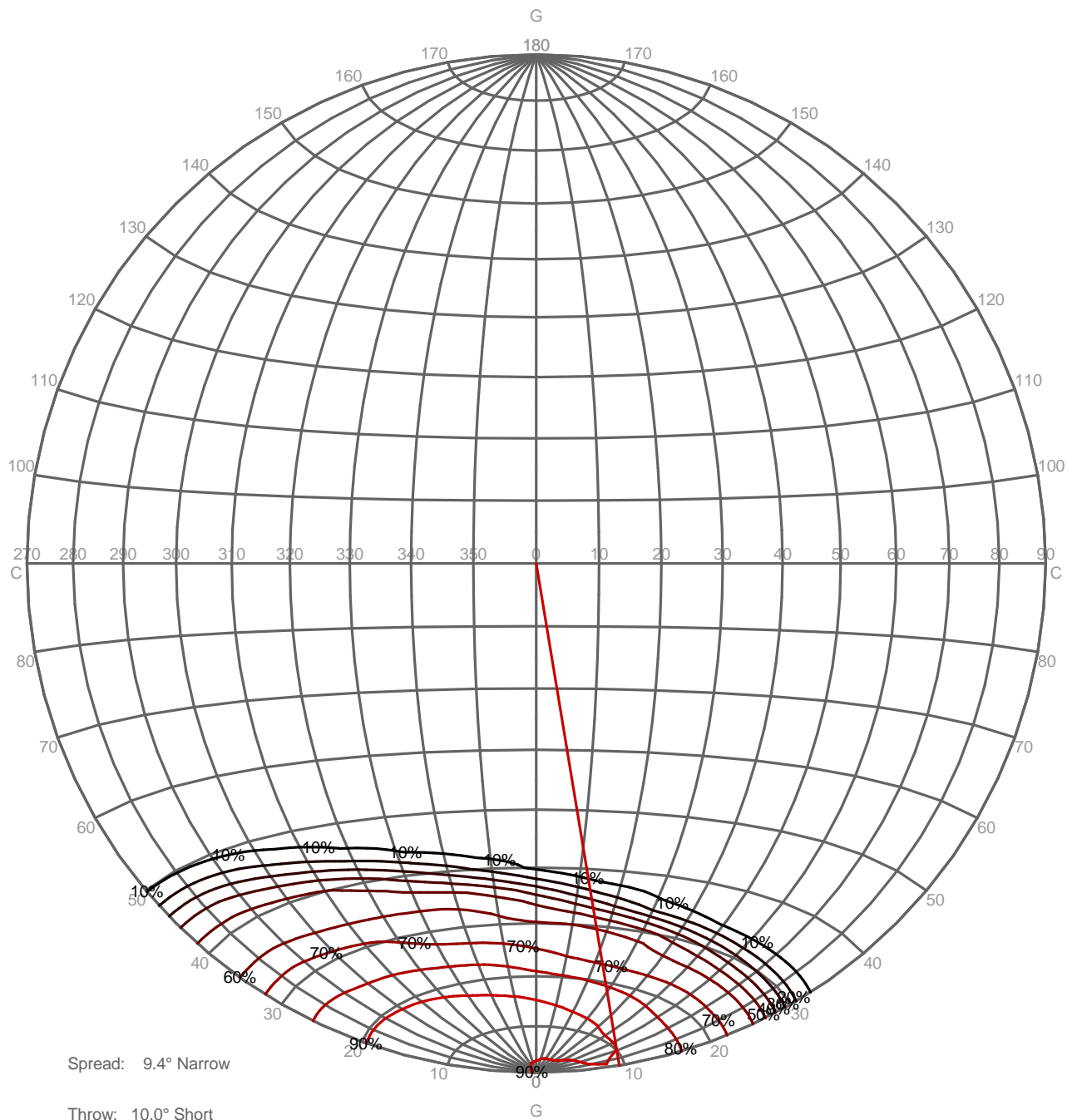
	C 260.00	C 270.00	C 280.00	C 290.00	C 300.00	C 310.00	C 320.00	C 330.00	C 340.00	C 350.00
G 0.0	142264.95	142264.95	142264.95	142264.95	142264.95	142264.95	142264.95	142264.95	142264.95	142264.95
G 5.0	151160.11	151579.50	151160.11	150618.05	149828.15	148759.37	147749.77	146840.21	145845.17	145205.83
G 10.0	160788.09	161392.12	160788.09	159935.47	158733.10	157233.72	155527.22	153827.82	152413.57	151344.52
G 15.0	160352.24	160545.70	160352.24	159798.61	158837.75	157627.58	155929.56	153911.50	152108.60	150488.92
G 20.0	150498.26	150555.39	150498.26	150211.57	149442.05	148531.47	147075.09	145287.19	143795.10	141775.67
G 25.0	141202.60	141422.91	141202.60	140536.21	139608.19	138795.18	136840.64	134186.97	132371.77	128995.61
G 30.0	139689.37	140061.11	139689.37	138350.94	135083.32	131456.93	125572.42	118965.52	115751.81	113576.12
G 35.0	117600.31	118035.33	117600.31	116413.38	114209.06	113192.95	112554.33	111552.21	108966.42	98880.68
G 40.0	112629.34	112302.83	112629.34	111910.68	109589.27	104575.88	92014.89	72689.14	52692.07	33157.72
G 45.0	80006.20	81608.34	80006.20	72597.80	59038.83	43630.30	27776.10	15100.42	10093.34	8814.18
G 50.0	21082.16	22679.29	21082.16	18021.61	14600.40	13352.56	12479.03	11234.76	10610.90	9927.02
G 55.0	13256.85	14257.17	13256.85	12469.49	11910.15	11469.51	11410.90	11544.27	11832.95	10929.06
G 60.0	10989.95	11690.58	10989.95	10700.66	10673.16	10404.24	10223.51	10149.64	9711.60	8661.79
G 65.0	9076.21	9578.35	9076.21	8595.13	8091.84	7492.51	6855.65	6275.66	5787.22	5189.02
G 70.0	5876.52	6022.70	5876.52	5715.41	5506.78	5217.96	4884.73	4528.36	4130.89	3645.34
G 75.0	5100.39	5211.75	5100.39	4976.66	4812.87	4579.08	4292.89	3893.86	3300.38	2698.57
G 80.0	5274.12	5473.46	5274.12	5077.92	4840.18	4487.50	4021.37	3475.10	2889.40	2284.90
G 85.0	7035.62	7181.64	7035.62	6711.80	6165.13	5488.95	4800.65	4124.58	3419.78	2771.29
G 90.0	0.00	0.00	0.00	0.00	0.00	0.00	0.00	0.00	0.00	0.00

Luminaire
 Code PX-0144-NEG
 Name Foco 1 x led COB 5.7W 3000K
Measur.
 Code PX-0144-NEG
 Name Foco 1 x led COB 5.7W 3000K

Luminaire Flux	271.25 lm	Luminaire Power	7.00 W	Efficacy	38.75 lm/W	Efficiency	100.00%
Lamps Flux	271.25 lm	Maximum value	973.80 cd/klm	Position	C=270.00 G=10.00	CG	Sym. on planes 270-90

PERCENTAGE ISOCANDLES

Projection: Equal Area SLI (glare) 11.1 Tight Tilting Angle:0°

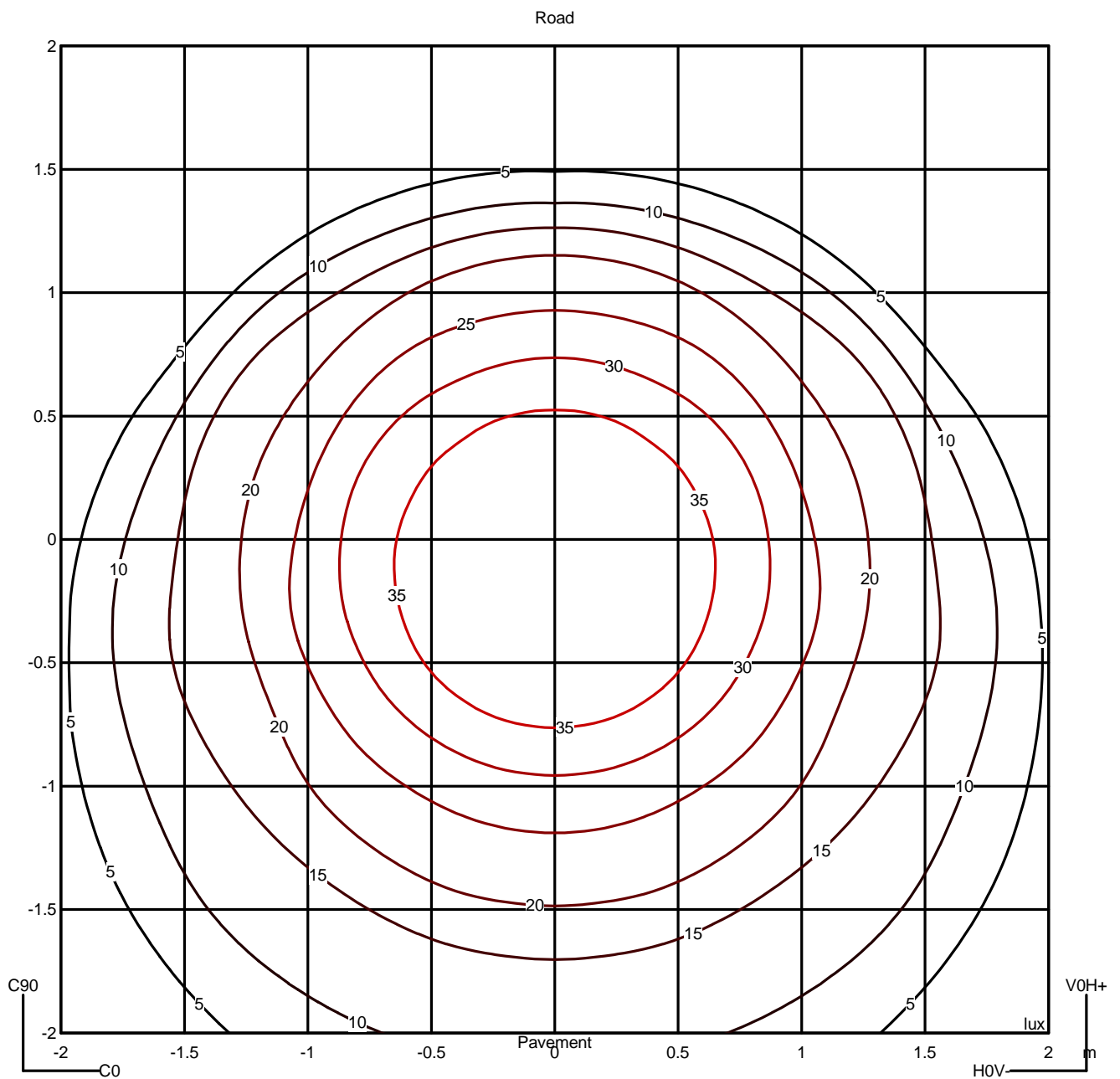


Luminaire
 Code PX-0144-NEG
 Name Foco 1 x led COB 5.7W 3000K
Measur.
 Code PX-0144-NEG
 Name Foco 1 x led COB 5.7W 3000K

Luminaire Flux	271.25 lm	Luminaire Power	7.00 W	Efficacy	38.75 lm/W	Efficiency	100.00%
Lamps Flux	271.25 lm	Maximum value	973.80 cd/klm	Position	C=270.00 G=10.00	CG	Sym. on planes 270-90

Isolux (Floor)

Luminaire position X=0.00m Y=0.00m Z=2.50m



Luminaire

Code PX-0144-NEG
 Name Foco 1 x led COB 5.7W 3000K

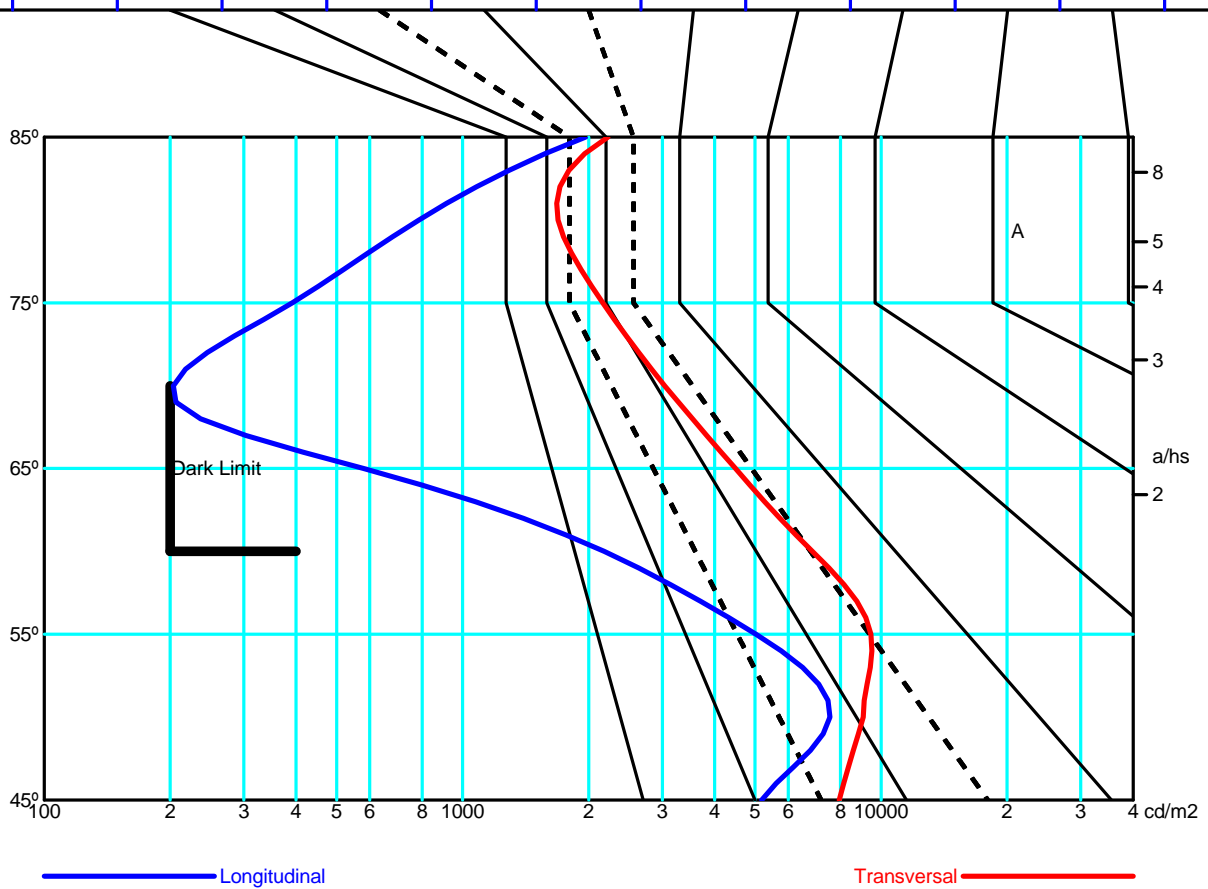
Measur.

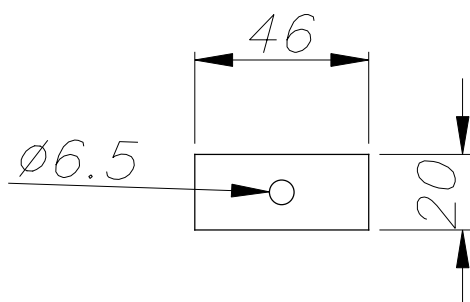
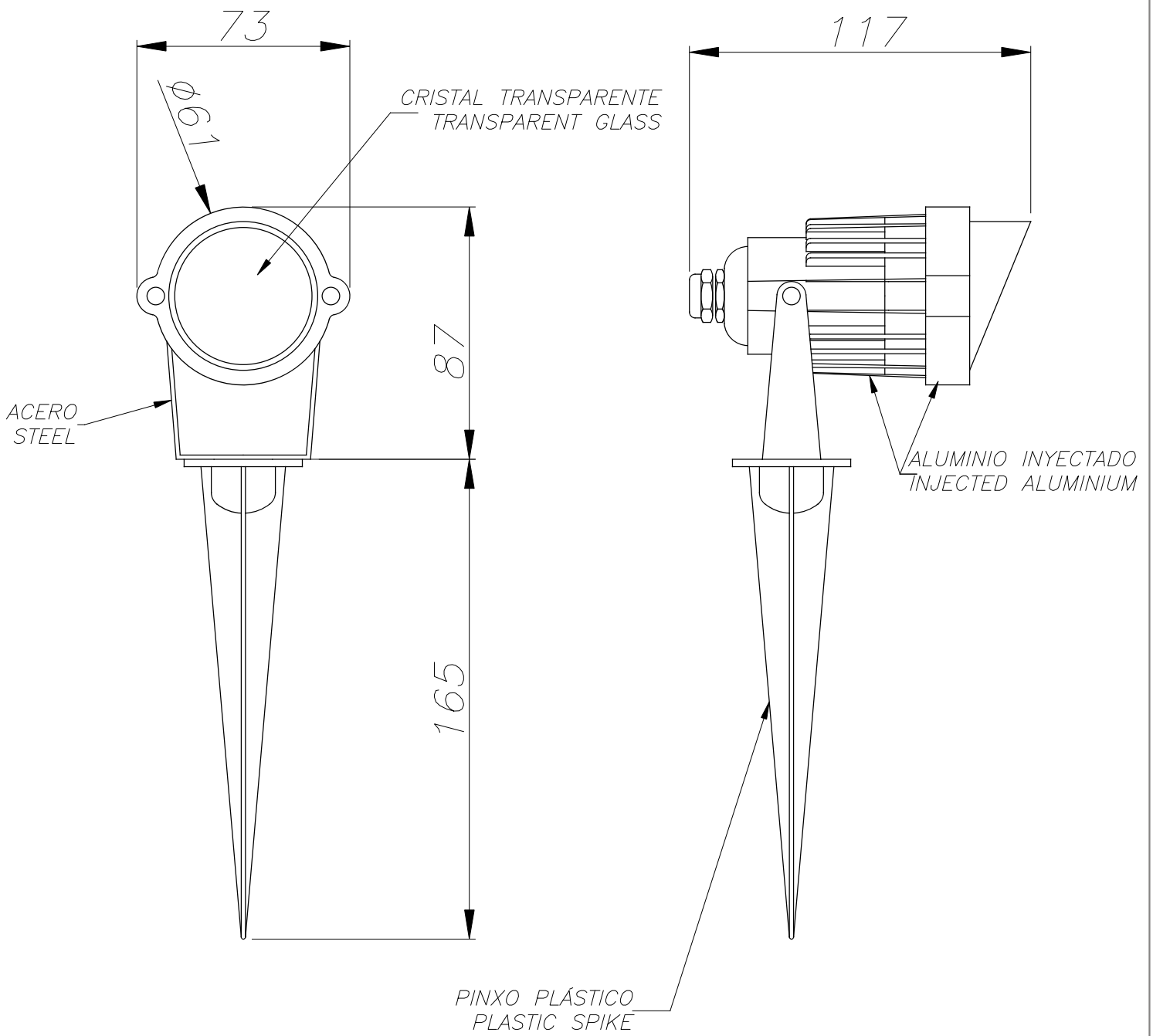
Code PX-0144-NEG
 Name Foco 1 x led COB 5.7W 3000K

Luminaire Flux	271.25 lm	Luminaire Power	7.00 W	Efficacy	38.75 lm/W	Efficiency	100.00%
Lamps Flux	271.25 lm	Maximum value	973.80 cd/klm	Position	C=270.00 G=10.00	CG	Sym. on planes 270-90

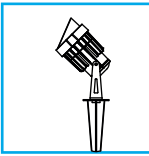
		Average Luminance [cd/m ²]									
		45°	50°	55°	60°	65°	70°	75°	80°	85°	
0.0°	7941	9070	9463	6849	4487	3042	2164	1691	2227	---	
90.0°	5184	7543	5022	2179	578	204	391	786	1965	---	

Flush mounted or longitudinal view												
		Illumination(lx)										
A	A	2000	1000	750	500		<300				1.15	
B	1		2000	1500	1000	750	500	<300			1.5	
C					2000		1000	500	<300		1.85	
D	2						2000	1000	500	<300	2.2	
E	3							2000	1000	500	<300	2.55





PLANTILLA DE INSTALACIÓN
INSTALLATION TEMPLATE



Minimal

PX-0144 PX-0361

FOR
LIGHT

