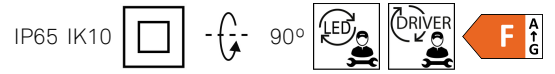
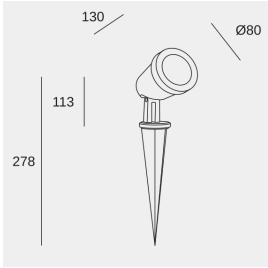


**PX-0516-NEG**

Spotlight IP65 Neo Smart LED 4.4W TW RGB-2700-6000K Light For Life Black 410.00

**TECHNICAL FEATURES**



Luminaire total power : 4.4W

Real lumens : 410 (4000K)

Nominal lumens : 410

Correlated Colour Temperature (CCT) : TW  
RGB-2700-6000K

Structure material : Polycarbonate + ABS

Structure finish : Black

Diffuser material : Polycarbonate

Diffuser finish : Transparent

Voltage / frequency : 220-240V/50-60Hz

Dimming protocol : Light For Life

Power Factor : 0.50

Useful life : 36.000h L70B30

Warranty : 2 Years

Resistant to marine environments : No

**LUMINOTECHNIC FEATURES**

CRI: 80

MacAdam steps: 3

Photobiological risk: RG0

Lampholder	Quantity	Light source power (W)
LED	1	4W

**LOGISTICS**

Net weight (kg): 0.24

Packaged weight (kg): 0.31

Packaging: 85mm x 135mm x 150mm

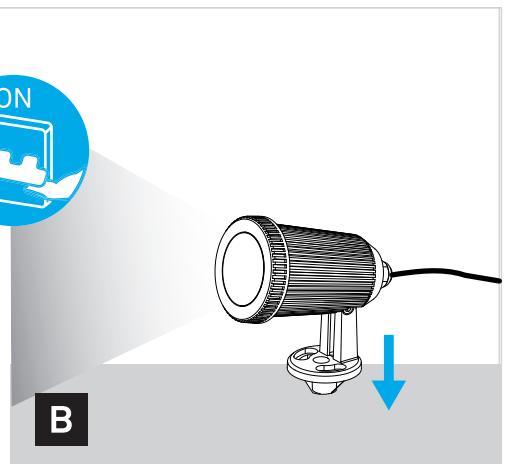
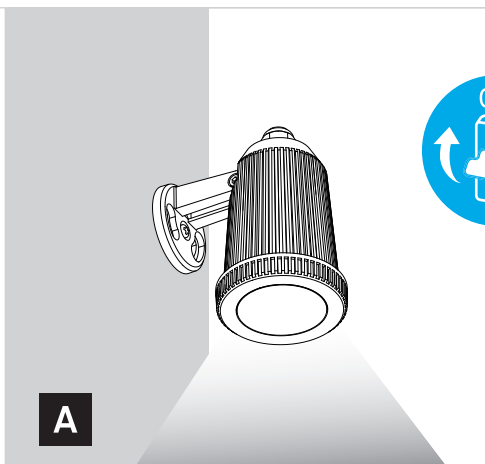
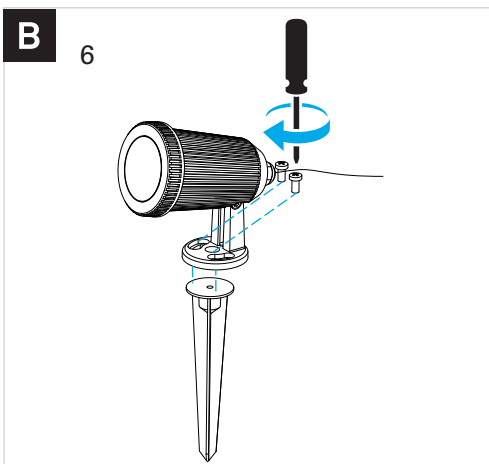
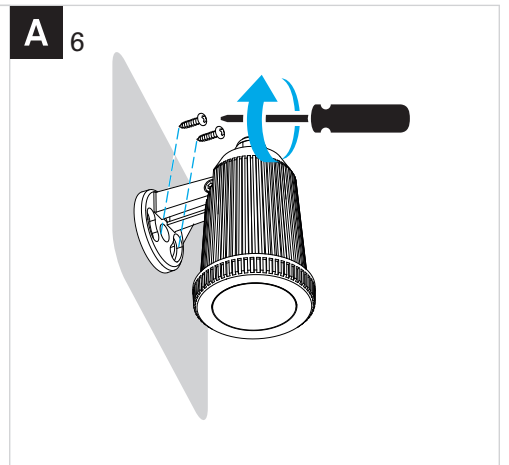
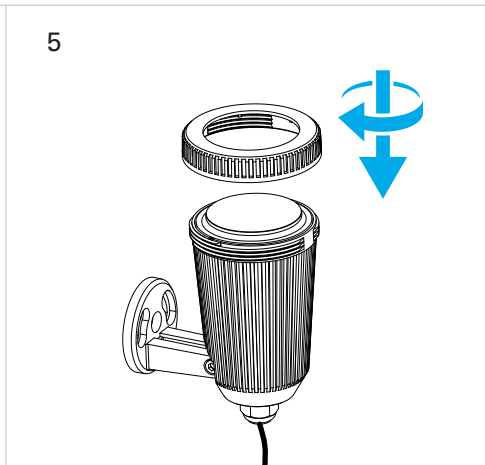
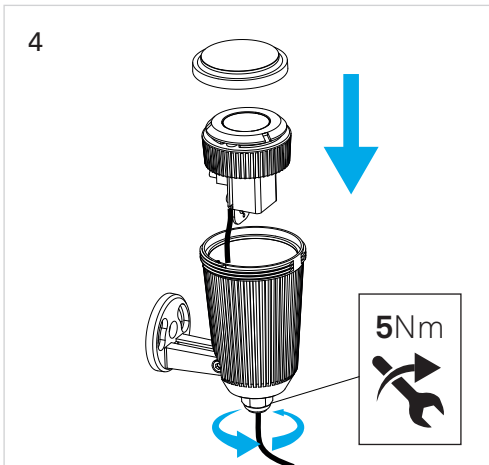
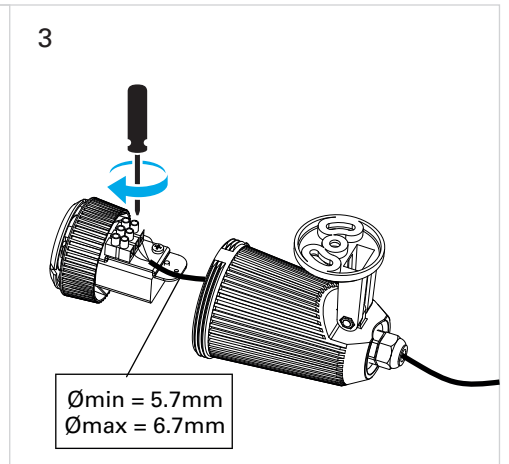
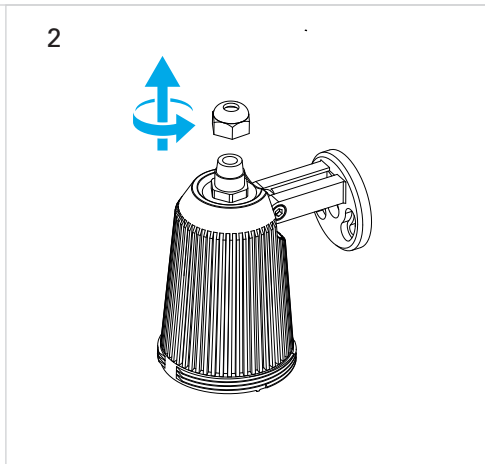
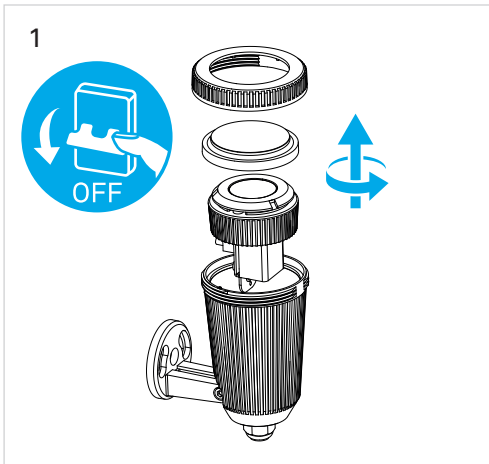
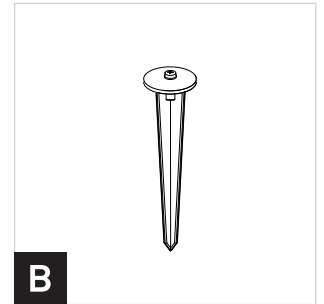
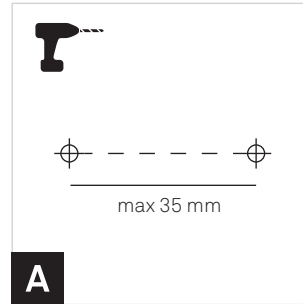


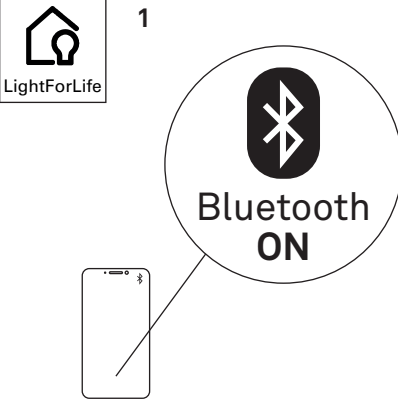
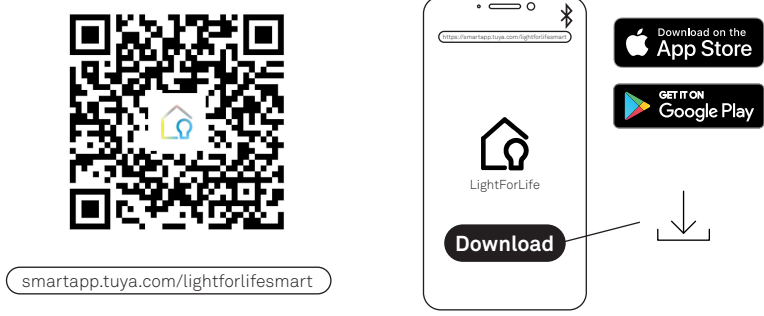
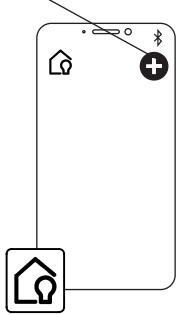
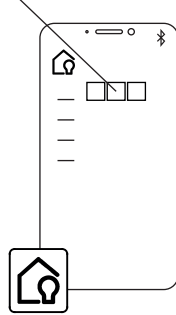
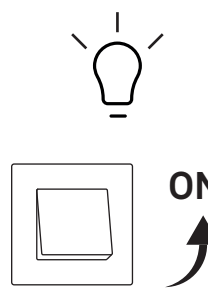
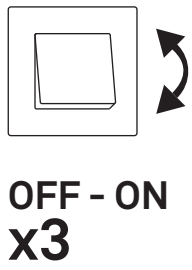
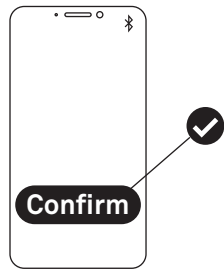
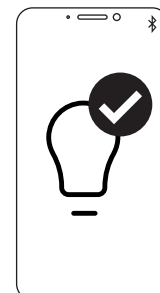



# Neo Smart

PX-0516

FOR  
LIGHT



<p>1</p>  <p>LightForLife</p> <p>Bluetooth ON</p>	<p>2</p>  <p><a href="https://smartapp.tuya.com/lightforlifesmart">smartapp.tuya.com/lightforlifesmart</a></p> <p>Download on the App Store</p> <p>GET IT ON Google Play</p> <p>Download</p>	
<p>3</p>  <p>4</p> 	<p>5</p>  <p>ON</p>	<p>6</p>  <p>OFF - ON x3</p>
<p>7</p>  <p>Confirm</p>	<p>8</p> 	 <p><a href="https://leds-c4.com/sites/default/files/media/files/manual-lightforlife-en.pdf">leds-c4.com/sites/default/files/media/files/manual-lightforlife-en.pdf</a></p>