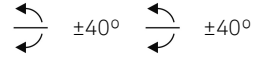


**TC-0173-BLA**

Accessorie MIX White

**TECHNICAL FEATURES**

---

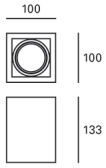


Structure material : Aluminium

Warranty : 2 Years

Structure finish : White

Easily recyclable luminaire



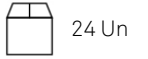
**LOGISTICS**

---

Net weight (kg): 0.45

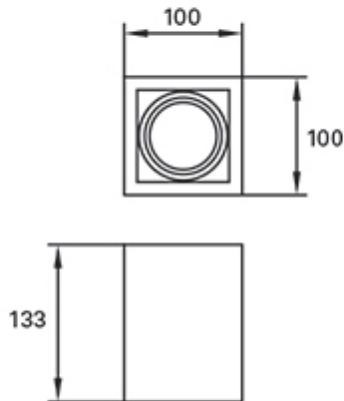
Packaged weight (kg): 0.54

Packaging: 120mm x 120mm x 150mm



**LIGHT APPLICATION**

---





**TC-0219-BLA**

Structure material: Aluminium  
Dimensions: 58 x 57 x NA  
Net weight (kg): 0.16



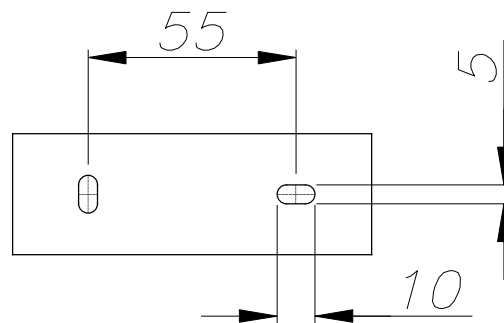
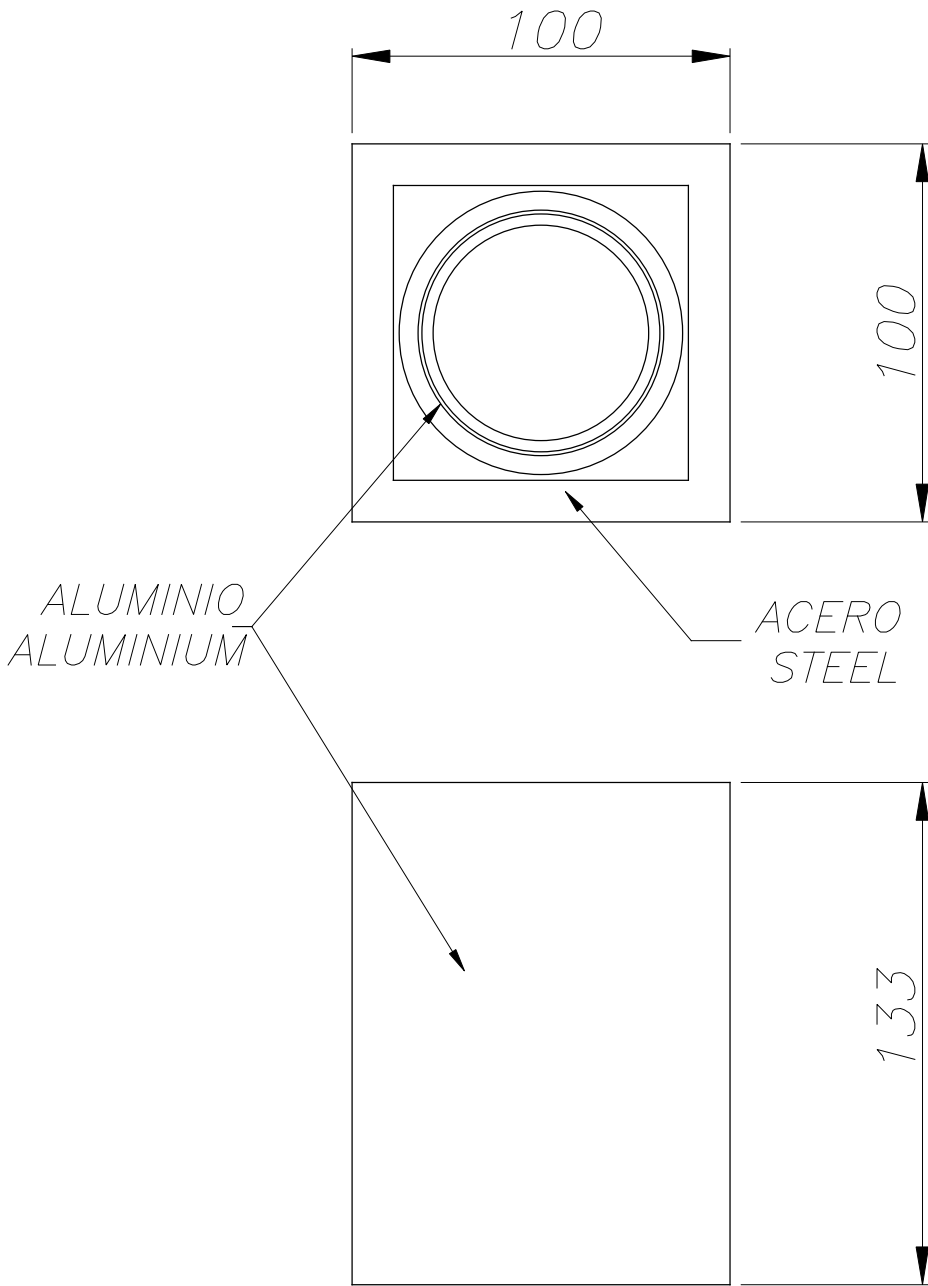
**TC-1700-BLA**

Structure material: Aluminium  
Dimensions: 58 x NA x 57  
Net weight (kg): 0.16



**TC-0304-BLA**

Structure material: Aluminium  
Dimensions: 80 x 162 x NA  
Net weight (kg): 0.54



PLANTILLA DE INSTALACIÓN  
INSTALLATION TEMPLATE

