

SPOTY TR ACCESSORY TC-8001-BLA

Accessorie SPOTY TR ACCESSORY White

TECHNICAL FEATURES



Structure material : Polycarbonate

Warranty : 5 Years

Structure finish : White

 | 17

 | 16

35

LOGISTICS

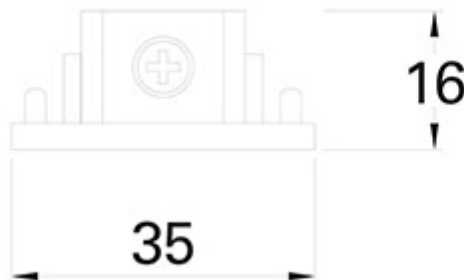
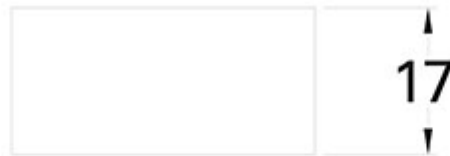
Net weight (kg): 0.01

Packaged weight (kg): 0.01

Packaging: 120mm x 175mm x 15mm

 10 Un

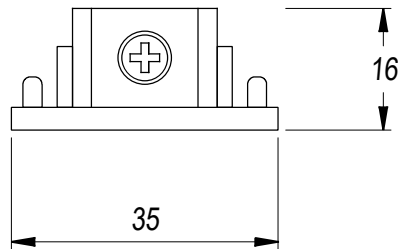
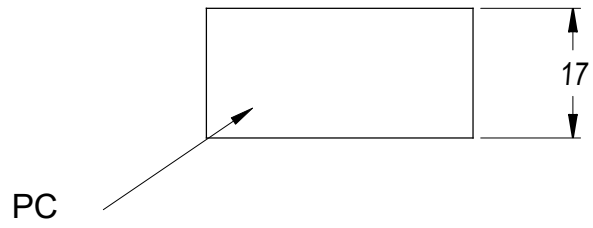
LIGHT APPLICATION



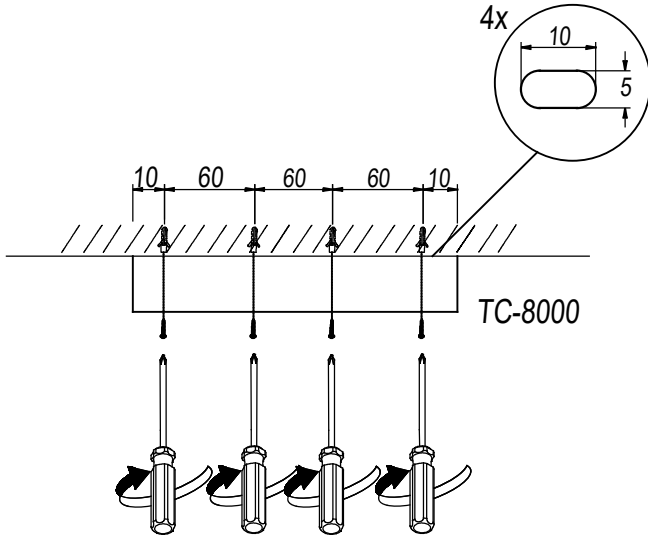


TC-8000-BLA

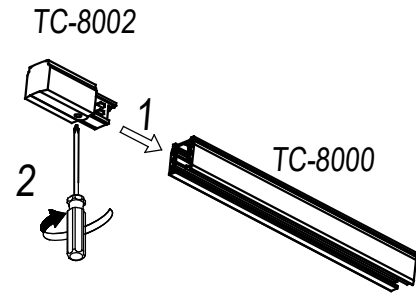
Structure material: Steel
Dimensions: 34 x 2000 x 17
Net weight (kg): 0.98



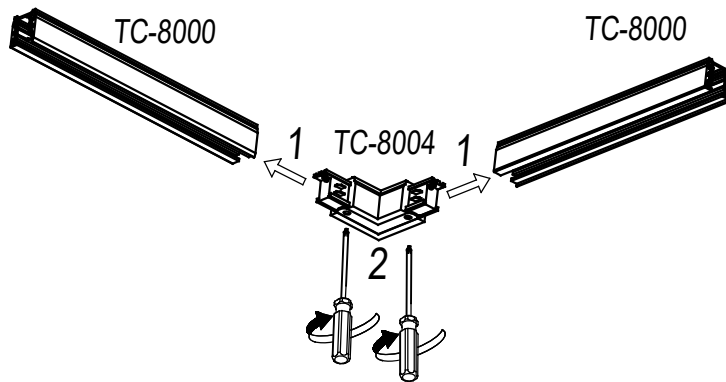
1



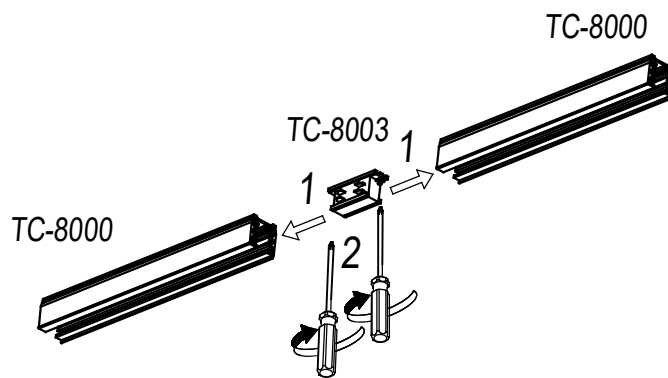
2



3



4



5

