

SPOTY TR ACCESSORY TC-8002-BLA

Accessorie SPOTY TR ACCESSORY White

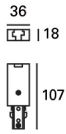
TECHNICAL FEATURES



Structure material : Polycarbonate

Warranty : 5 Years

Structure finish : White



LOGISTICS

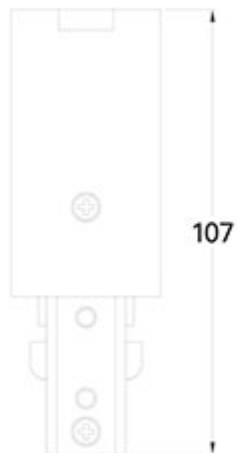
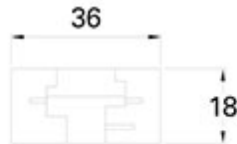
Net weight (kg): 0.07

Packaged weight (kg): 0.07

Packaging: 120mm x 175mm x 25mm



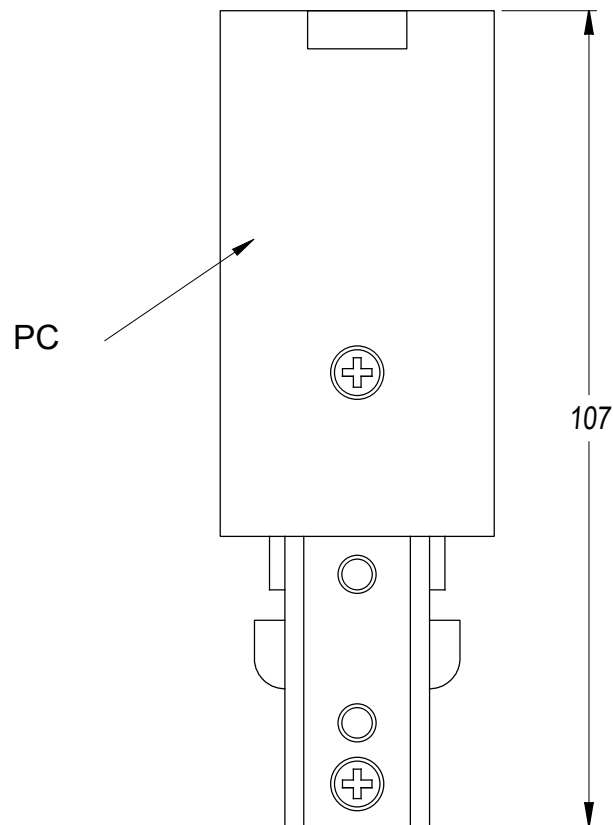
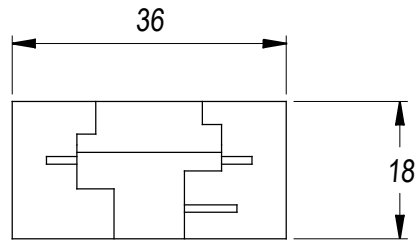
LIGHT APPLICATION



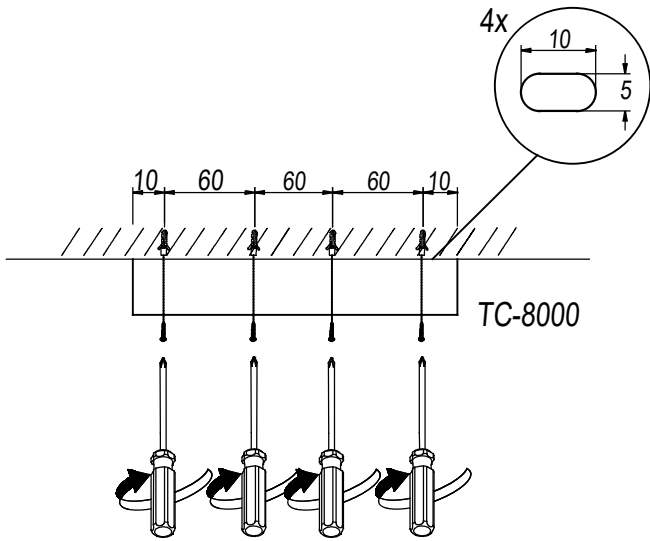


TC-8000-BLA

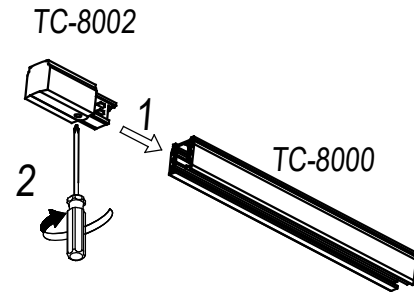
Structure material: Steel
Dimensions: 34 x 2000 x 17
Net weight (kg): 0.98



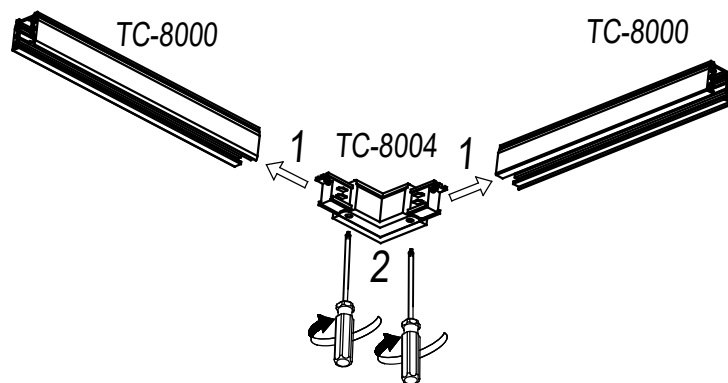
1



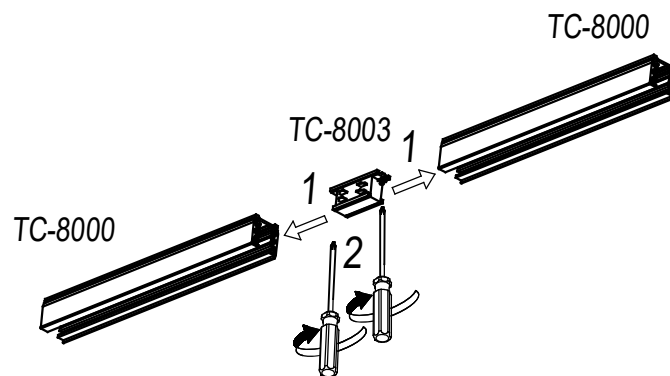
2



3



4



5

