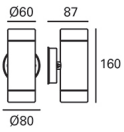


PX-0124-NEG

Aplique IP54 Jumbo Double Emission LED 2.4W 3000K Negro 96lm

CARACTERÍSTICAS TÉCNICAS



IP54 IK08



Potencia total luminaria : 3.2W

Lúmenes reales : 96

Lúmenes nominales : 280

Lm / W reales : 30

Ángulo Ópticas / Reflector : FLOOD 83°

UGR : <=19

Material de la estructura : Polipropileno

Acabado estructura : Negro

Material del difusor : Acrílico

Acabado difusor : Blanco

Voltaje / Frecuencia : 100-240V ~ 50/60Hz

Protocolo de regulación : ON-OFF

Vida útil : 36.000h L70B30

Garantía : 3 Años

Luminaria fácilmente reciclable

CARACTERÍSTICAS LUMINOTÉCNICAS

CRI: 80

MacAdam steps: 3

Riesgo fotobiológico: RG0

UGR

UGR Transversal: 18.7

UGR Longitudinal: 18.7

Portalámparas	Cantidad	Potencia fuente de luz (W)	Temperatura de color correlacionada (CCT)
LED	1	2.4W	3000K

LOGÍSTICA

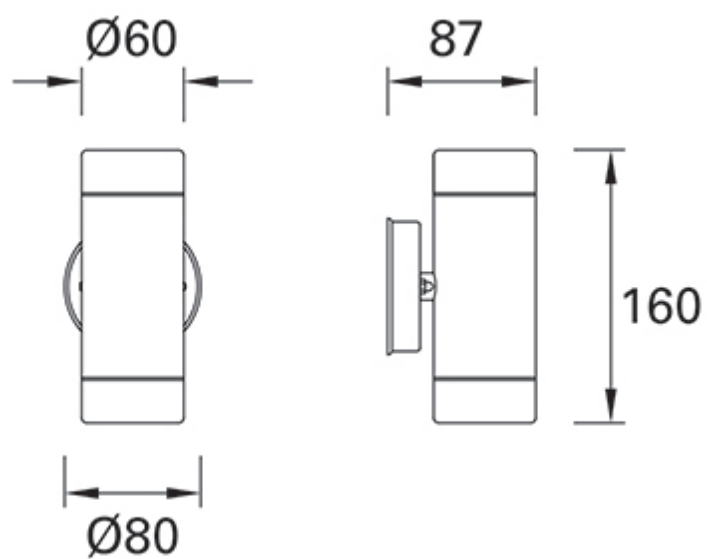
Peso neto (Kg): 0.21

Peso embalado (Kg): 0.3

Embalaje: 95mm x 90mm x 170mm



16 Un





Luminaire

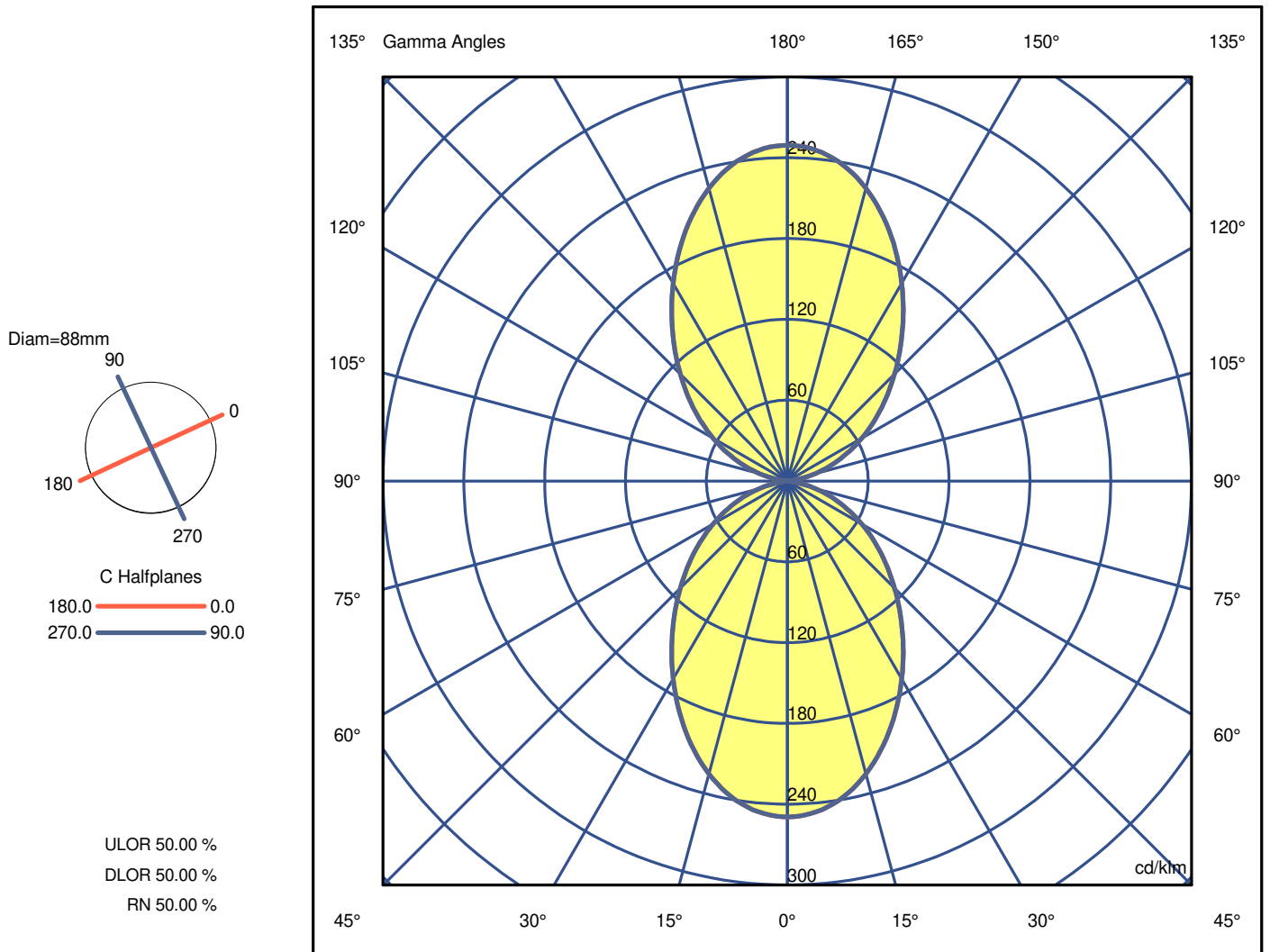
Code PX-0124-NEG(1)
Name JUMBO

Measurement

Code PX-0124-NEG
Name JUMBO

Luminaire Flux	95.62 lm	Luminaire Power	3.20 W	Efficacy	29.88 lm/W	Efficiency	100.00%
Sources Flux	95.62 lm	Maximum value	249.34 cd/klm	Position	C=0.00 G=0.00	CG	Asymmetrical
Round Luminaire		Diam.	88 mm	Height	1 mm		
Round Luminous Area		Diam.	43 mm	Height	0 mm		
Horizontal Luminous Area			0.001452 m2	Emitting area on Plane 180°			0.000000 m2
Emitting area on Plane 0°			0.000000 m2	Emitting area on Plane 270°			0.000000 m2
Emitting area on Plane 90°			0.000000 m2	Glare area at 76°			0.000351 m2
Coordinate system		CG		Symmetry Type		Asymmetrical	
Date		11-03-2020		Maximum Gamma Angle		180	
Measurement Distance		0.00		Measurement Flux		47.81 lm	
Operator		qualitat		Rated Voltage			
Temperature		25.00 °C		Rated Current			
Humidity		60.00 %		Photocell			
Notes							

Line		Code	Luminaire Lamps	Flux [lm]	Pow. [W]	Q.ty
		PX-0124-NEG	Name PX-0124-NEG	95.62	3.20	1
C.I.E.	56 85 98 50 100		D DIN 5040	C41		
F UTE	0.50 D + 0.50 T		B NBN	BZ 3		





Luminaire
 Code PX-0124-NEG(1)
 Name JUMBO
Measurement
 Code PX-0124-NEG
 Name JUMBO

Luminaire Flux	95.62 lm	Luminaire Power	3.20 W	Efficacy	29.88 lm/W	Efficiency	100.00%
Sources Flux	95.62 lm	Maximum value	249.34 cd/klm	Position	C=0.00 G=0.00	CG	Asymmetrical

Luminous Intensity Table cd/klm Table 1/18

	C 0.00	C 5.00	C 10.00	C 15.00	C 20.00	C 25.00	C 30.00	C 35.00	C 40.00	C 45.00	C 50.00	C 55.00	C 60.00
G 0.0	249.34	249.34	249.34	249.34	249.34	249.34	249.34	249.34	249.34	249.34	249.34	249.34	249.34
G 1.0	249.14	249.14	249.14	249.14	249.14	249.14	249.14	249.14	249.14	249.14	249.14	249.14	249.14
G 2.0	248.82	248.82	248.82	248.82	248.82	248.82	248.82	248.82	248.82	248.82	248.82	248.82	248.82
G 3.0	248.32	248.32	248.32	248.32	248.32	248.32	248.32	248.32	248.32	248.32	248.32	248.32	248.32
G 4.0	247.49	247.49	247.49	247.49	247.49	247.49	247.49	247.49	247.49	247.49	247.49	247.49	247.49
G 5.0	246.45	246.45	246.45	246.45	246.45	246.45	246.45	246.45	246.45	246.45	246.45	246.45	246.45
G 6.0	245.29	245.29	245.29	245.29	245.29	245.29	245.29	245.29	245.29	245.29	245.29	245.29	245.29
G 7.0	243.78	243.78	243.78	243.78	243.78	243.78	243.78	243.78	243.78	243.78	243.78	243.78	243.78
G 8.0	242.12	242.12	242.12	242.12	242.12	242.12	242.12	242.12	242.12	242.12	242.12	242.12	242.12
G 9.0	240.28	240.28	240.28	240.28	240.28	240.28	240.28	240.28	240.28	240.28	240.28	240.28	240.28
G 10.0	238.16	238.16	238.16	238.16	238.16	238.16	238.16	238.16	238.16	238.16	238.16	238.16	238.16
G 11.0	235.91	235.91	235.91	235.91	235.91	235.91	235.91	235.91	235.91	235.91	235.91	235.91	235.91
G 12.0	233.45	233.45	233.45	233.45	233.45	233.45	233.45	233.45	233.45	233.45	233.45	233.45	233.45
G 13.0	230.76	230.76	230.76	230.76	230.76	230.76	230.76	230.76	230.76	230.76	230.76	230.76	230.76
G 14.0	227.94	227.94	227.94	227.94	227.94	227.94	227.94	227.94	227.94	227.94	227.94	227.94	227.94
G 15.0	225.05	225.05	225.05	225.05	225.05	225.05	225.05	225.05	225.05	225.05	225.05	225.05	225.05
G 16.0	221.85	221.85	221.85	221.85	221.85	221.85	221.85	221.85	221.85	221.85	221.85	221.85	221.85
G 17.0	218.70	218.70	218.70	218.70	218.70	218.70	218.70	218.70	218.70	218.70	218.70	218.70	218.70
G 18.0	215.33	215.33	215.33	215.33	215.33	215.33	215.33	215.33	215.33	215.33	215.33	215.33	215.33
G 19.0	211.82	211.82	211.82	211.82	211.82	211.82	211.82	211.82	211.82	211.82	211.82	211.82	211.82
G 20.0	208.34	208.34	208.34	208.34	208.34	208.34	208.34	208.34	208.34	208.34	208.34	208.34	208.34
G 21.0	204.66	204.66	204.66	204.66	204.66	204.66	204.66	204.66	204.66	204.66	204.66	204.66	204.66
G 22.0	200.95	200.95	200.95	200.95	200.95	200.95	200.95	200.95	200.95	200.95	200.95	200.95	200.95
G 23.0	197.22	197.22	197.22	197.22	197.22	197.22	197.22	197.22	197.22	197.22	197.22	197.22	197.22
G 24.0	193.42	193.42	193.42	193.42	193.42	193.42	193.42	193.42	193.42	193.42	193.42	193.42	193.42
G 25.0	189.43	189.43	189.43	189.43	189.43	189.43	189.43	189.43	189.43	189.43	189.43	189.43	189.43
G 26.0	185.60	185.60	185.60	185.60	185.60	185.60	185.60	185.60	185.60	185.60	185.60	185.60	185.60
G 27.0	181.63	181.63	181.63	181.63	181.63	181.63	181.63	181.63	181.63	181.63	181.63	181.63	181.63
G 28.0	177.58	177.58	177.58	177.58	177.58	177.58	177.58	177.58	177.58	177.58	177.58	177.58	177.58
G 29.0	173.64	173.64	173.64	173.64	173.64	173.64	173.64	173.64	173.64	173.64	173.64	173.64	173.64
G 30.0	169.62	169.62	169.62	169.62	169.62	169.62	169.62	169.62	169.62	169.62	169.62	169.62	169.62
G 31.0	165.59	165.59	165.59	165.59	165.59	165.59	165.59	165.59	165.59	165.59	165.59	165.59	165.59
G 32.0	161.63	161.63	161.63	161.63	161.63	161.63	161.63	161.63	161.63	161.63	161.63	161.63	161.63
G 33.0	157.67	157.67	157.67	157.67	157.67	157.67	157.67	157.67	157.67	157.67	157.67	157.67	157.67
G 34.0	153.65	153.65	153.65	153.65	153.65	153.65	153.65	153.65	153.65	153.65	153.65	153.65	153.65
G 35.0	149.77	149.77	149.77	149.77	149.77	149.77	149.77	149.77	149.77	149.77	149.77	149.77	149.77
G 36.0	145.83	145.83	145.83	145.83	145.83	145.83	145.83	145.83	145.83	145.83	145.83	145.83	145.83
G 37.0	141.95	141.95	141.95	141.95	141.95	141.95	141.95	141.95	141.95	141.95	141.95	141.95	141.95
G 38.0	138.16	138.16	138.16	138.16	138.16	138.16	138.16	138.16	138.16	138.16	138.16	138.16	138.16
G 39.0	134.32	134.32	134.32	134.32	134.32	134.32	134.32	134.32	134.32	134.32	134.32	134.32	134.32
G 40.0	130.57	130.57	130.57	130.57	130.57	130.57	130.57	130.57	130.57	130.57	130.57	130.57	130.57
G 41.0	126.88	126.88	126.88	126.88	126.88	126.88	126.88	126.88	126.88	126.88	126.88	126.88	126.88
G 42.0	123.17	123.17	123.17	123.17	123.17	123.17	123.17	123.17	123.17	123.17	123.17	123.17	123.17
G 43.0	119.51	119.51	119.51	119.51	119.51	119.51	119.51	119.51	119.51	119.51	119.51	119.51	119.51
G 44.0	116.00	116.00	116.00	116.00	116.00	116.00	116.00	116.00	116.00	116.00	116.00	116.00	116.00
G 45.0	112.39	112.39	112.39	112.39	112.39	112.39	112.39	112.39	112.39	112.39	112.39	112.39	112.39
G 46.0	108.90	108.90	108.90	108.90	108.90	108.90	108.90	108.90	108.90	108.90	108.90	108.90	108.90
G 47.0	105.48	105.48	105.48	105.48	105.48	105.48	105.48	105.48	105.48	105.48	105.48	105.48	105.48
G 48.0	102.02	102.02	102.02	102.02	102.02	102.02	102.02	102.02	102.02	102.02	102.02	102.02	102.02
G 49.0	98.63	98.63	98.63	98.63	98.63	98.63	98.63	98.63	98.63	98.63	98.63	98.63	98.63
G 50.0	95.33	95.33	95.33	95.33	95.33	95.33	95.33	95.33	95.33	95.33	95.33	95.33	95.33
G 51.0	91.99	91.99	91.99	91.99	91.99	91.99	91.99	91.99	91.99	91.99	91.99	91.99	91.99
G 52.0	88.72	88.72	88.72	88.72	88.72	88.72	88.72	88.72	88.72	88.72	88.72	88.72	88.72
G 53.0	85.54	85.54	85.54	85.54	85.54	85.54	85.54	85.54	85.54	85.54	85.54	85.54	85.54
G 54.0	82.28	82.28	82.28	82.28	82.28	82.28	82.28	82.28	82.28	82.28	82.28	82.28	82.28
G 55.0	79.16	79.16	79.16	79.16	79.16	79.16	79.16	79.16	79.16	79.16	79.16	79.16	79.16
G 56.0	76.02	76.02	76.02	76.02	76.02	76.02	76.02	76.02	76.02	76.02	76.02	76.02	76.02
G 57.0	72.87	72.87	72.87	72.87	72.87	72.87	72.87	72.87	72.87	72.87	72.87	72.87	72.87
G 58.0	69.84	69.84	69.84	69.84	69.84	69.84	69.84	69.84	69.84	69.84	69.84	69.84	69.84
G 59.0	66.81	66.81	66.81	66.81	66.81	66.81	66.81	66.81	66.81	66.81	66.81	66.81	66.81
G 60.0	63.76	63.76	63.76	63.76	63.76	63.76	63.76	63.76	63.76	63.76	63.76	63.76	63.76
G 61.0	60.77	60.77	60.77	60.77	60.77	60.77	60.77	60.77	60.77	60.77	60.77	60.77	60.77
G 62.0	57.82	57.82	57.82	57.82	57.82	57.82	57.82	57.82	57.82	57.82	57.82	57.82	57.82
G 63.0	54.78	54.78	54.78	54.78	54.78	54.78	54.78	54.78	54.78	54.78	54.78	54.78	54.78
G 64.0	51.89	51.89	51.89	51.89	51.89	51.89	51.89	51.89	51.89	51.89	51.89	51.89	51.89
G 65.0	48.98	48.98	48.98	48.98	48.98	48.98	48.98	48.98	48.98	48.98	48.98	48.98	48.98
G 66.0	46.02	46.02	46.02	46.02	46.02	46.02	46.02	46.02	46.02	46.02	46.02	46.02	46.02
G 67.0	43.21	43.21	43.21	43.21	43.21	43.21	43.21	43.21	43.21	43.21	43.21	43.21	43.21
G 68.0	40.37	40.37	40.37	40.37	40.37	40.37	40.37	40.37	40.37	40.37	40.37	40.37	40.37
G 69.0	37.53	37.53	37.53	37.53	37.53	37.53	37.53	37.53	37.53	37.53	37.53	37.53	37.53
G 70.0	34.77	34.77	34.77	34.77	34.77	34.77	34.77	34.77	34.77	34.77	34.77	34.77	34.77
G 71.0	32.05	32.05	32.05	32.05	32.05	32.05	32.05	32.05	32.05	32.05	32.05	32.05	32.05
G 72.0	29.29	29.29	29.29	29.29	29.29	29.29	29.29	29.29	29.29	29.29	29.29	29.29	29.29



Luminaire
 Code PX-0124-NEG(1)
 Name JUMBO
Measurement
 Code PX-0124-NEG
 Name JUMBO

Luminaire Flux	95.62 lm	Luminaire Power	3.20 W	Efficacy	29.88 lm/W	Efficiency	100.00%
Sources Flux	95.62 lm	Maximum value	249.34 cd/klm	Position	C=0.00 G=0.00	CG	Asymmetrical

Luminous Intensity Table cd/klm Table 2/18

	C 65.00	C 70.00	C 75.00	C 80.00	C 85.00	C 90.00	C 95.00	C 100.00	C 105.00	C 110.00	C 115.00	C 120.00	C 125.00
G 0.0	249.34	249.34	249.34	249.34	249.34	249.34	249.34	249.34	249.34	249.34	249.34	249.34	249.34
G 1.0	249.14	249.14	249.14	249.14	249.14	249.14	249.14	249.14	249.14	249.14	249.14	249.14	249.14
G 2.0	248.82	248.82	248.82	248.82	248.82	248.82	248.82	248.82	248.82	248.82	248.82	248.82	248.82
G 3.0	248.32	248.32	248.32	248.32	248.32	248.32	248.32	248.32	248.32	248.32	248.32	248.32	248.32
G 4.0	247.49	247.49	247.49	247.49	247.49	247.49	247.49	247.49	247.49	247.49	247.49	247.49	247.49
G 5.0	246.45	246.45	246.45	246.45	246.45	246.45	246.45	246.45	246.45	246.45	246.45	246.45	246.45
G 6.0	245.29	245.29	245.29	245.29	245.29	245.29	245.29	245.29	245.29	245.29	245.29	245.29	245.29
G 7.0	243.78	243.78	243.78	243.78	243.78	243.78	243.78	243.78	243.78	243.78	243.78	243.78	243.78
G 8.0	242.12	242.12	242.12	242.12	242.12	242.12	242.12	242.12	242.12	242.12	242.12	242.12	242.12
G 9.0	240.28	240.28	240.28	240.28	240.28	240.28	240.28	240.28	240.28	240.28	240.28	240.28	240.28
G 10.0	238.16	238.16	238.16	238.16	238.16	238.16	238.16	238.16	238.16	238.16	238.16	238.16	238.16
G 11.0	235.91	235.91	235.91	235.91	235.91	235.91	235.91	235.91	235.91	235.91	235.91	235.91	235.91
G 12.0	233.45	233.45	233.45	233.45	233.45	233.45	233.45	233.45	233.45	233.45	233.45	233.45	233.45
G 13.0	230.76	230.76	230.76	230.76	230.76	230.76	230.76	230.76	230.76	230.76	230.76	230.76	230.76
G 14.0	227.94	227.94	227.94	227.94	227.94	227.94	227.94	227.94	227.94	227.94	227.94	227.94	227.94
G 15.0	225.05	225.05	225.05	225.05	225.05	225.05	225.05	225.05	225.05	225.05	225.05	225.05	225.05
G 16.0	221.85	221.85	221.85	221.85	221.85	221.85	221.85	221.85	221.85	221.85	221.85	221.85	221.85
G 17.0	218.70	218.70	218.70	218.70	218.70	218.70	218.70	218.70	218.70	218.70	218.70	218.70	218.70
G 18.0	215.33	215.33	215.33	215.33	215.33	215.33	215.33	215.33	215.33	215.33	215.33	215.33	215.33
G 19.0	211.82	211.82	211.82	211.82	211.82	211.82	211.82	211.82	211.82	211.82	211.82	211.82	211.82
G 20.0	208.34	208.34	208.34	208.34	208.34	208.34	208.34	208.34	208.34	208.34	208.34	208.34	208.34
G 21.0	204.66	204.66	204.66	204.66	204.66	204.66	204.66	204.66	204.66	204.66	204.66	204.66	204.66
G 22.0	200.95	200.95	200.95	200.95	200.95	200.95	200.95	200.95	200.95	200.95	200.95	200.95	200.95
G 23.0	197.22	197.22	197.22	197.22	197.22	197.22	197.22	197.22	197.22	197.22	197.22	197.22	197.22
G 24.0	193.42	193.42	193.42	193.42	193.42	193.42	193.42	193.42	193.42	193.42	193.42	193.42	193.42
G 25.0	189.43	189.43	189.43	189.43	189.43	189.43	189.43	189.43	189.43	189.43	189.43	189.43	189.43
G 26.0	185.60	185.60	185.60	185.60	185.60	185.60	185.60	185.60	185.60	185.60	185.60	185.60	185.60
G 27.0	181.63	181.63	181.63	181.63	181.63	181.63	181.63	181.63	181.63	181.63	181.63	181.63	181.63
G 28.0	177.58	177.58	177.58	177.58	177.58	177.58	177.58	177.58	177.58	177.58	177.58	177.58	177.58
G 29.0	173.64	173.64	173.64	173.64	173.64	173.64	173.64	173.64	173.64	173.64	173.64	173.64	173.64
G 30.0	169.62	169.62	169.62	169.62	169.62	169.62	169.62	169.62	169.62	169.62	169.62	169.62	169.62
G 31.0	165.59	165.59	165.59	165.59	165.59	165.59	165.59	165.59	165.59	165.59	165.59	165.59	165.59
G 32.0	161.63	161.63	161.63	161.63	161.63	161.63	161.63	161.63	161.63	161.63	161.63	161.63	161.63
G 33.0	157.67	157.67	157.67	157.67	157.67	157.67	157.67	157.67	157.67	157.67	157.67	157.67	157.67
G 34.0	153.65	153.65	153.65	153.65	153.65	153.65	153.65	153.65	153.65	153.65	153.65	153.65	153.65
G 35.0	149.77	149.77	149.77	149.77	149.77	149.77	149.77	149.77	149.77	149.77	149.77	149.77	149.77
G 36.0	145.83	145.83	145.83	145.83	145.83	145.83	145.83	145.83	145.83	145.83	145.83	145.83	145.83
G 37.0	141.95	141.95	141.95	141.95	141.95	141.95	141.95	141.95	141.95	141.95	141.95	141.95	141.95
G 38.0	138.16	138.16	138.16	138.16	138.16	138.16	138.16	138.16	138.16	138.16	138.16	138.16	138.16
G 39.0	134.32	134.32	134.32	134.32	134.32	134.32	134.32	134.32	134.32	134.32	134.32	134.32	134.32
G 40.0	130.57	130.57	130.57	130.57	130.57	130.57	130.57	130.57	130.57	130.57	130.57	130.57	130.57
G 41.0	126.88	126.88	126.88	126.88	126.88	126.88	126.88	126.88	126.88	126.88	126.88	126.88	126.88
G 42.0	123.17	123.17	123.17	123.17	123.17	123.17	123.17	123.17	123.17	123.17	123.17	123.17	123.17
G 43.0	119.51	119.51	119.51	119.51	119.51	119.51	119.51	119.51	119.51	119.51	119.51	119.51	119.51
G 44.0	116.00	116.00	116.00	116.00	116.00	116.00	116.00	116.00	116.00	116.00	116.00	116.00	116.00
G 45.0	112.39	112.39	112.39	112.39	112.39	112.39	112.39	112.39	112.39	112.39	112.39	112.39	112.39
G 46.0	108.90	108.90	108.90	108.90	108.90	108.90	108.90	108.90	108.90	108.90	108.90	108.90	108.90
G 47.0	105.48	105.48	105.48	105.48	105.48	105.48	105.48	105.48	105.48	105.48	105.48	105.48	105.48
G 48.0	102.02	102.02	102.02	102.02	102.02	102.02	102.02	102.02	102.02	102.02	102.02	102.02	102.02
G 49.0	98.63	98.63	98.63	98.63	98.63	98.63	98.63	98.63	98.63	98.63	98.63	98.63	98.63
G 50.0	95.33	95.33	95.33	95.33	95.33	95.33	95.33	95.33	95.33	95.33	95.33	95.33	95.33
G 51.0	91.99	91.99	91.99	91.99	91.99	91.99	91.99	91.99	91.99	91.99	91.99	91.99	91.99
G 52.0	88.72	88.72	88.72	88.72	88.72	88.72	88.72	88.72	88.72	88.72	88.72	88.72	88.72
G 53.0	85.54	85.54	85.54	85.54	85.54	85.54	85.54	85.54	85.54	85.54	85.54	85.54	85.54
G 54.0	82.28	82.28	82.28	82.28	82.28	82.28	82.28	82.28	82.28	82.28	82.28	82.28	82.28
G 55.0	79.16	79.16	79.16	79.16	79.16	79.16	79.16	79.16	79.16	79.16	79.16	79.16	79.16
G 56.0	76.02	76.02	76.02	76.02	76.02	76.02	76.02	76.02	76.02	76.02	76.02	76.02	76.02
G 57.0	72.87	72.87	72.87	72.87	72.87	72.87	72.87	72.87	72.87	72.87	72.87	72.87	72.87
G 58.0	69.84	69.84	69.84	69.84	69.84	69.84	69.84	69.84	69.84	69.84	69.84	69.84	69.84
G 59.0	66.81	66.81	66.81	66.81	66.81	66.81	66.81	66.81	66.81	66.81	66.81	66.81	66.81
G 60.0	63.76	63.76	63.76	63.76	63.76	63.76	63.76	63.76	63.76	63.76	63.76	63.76	63.76
G 61.0	60.77	60.77	60.77	60.77	60.77	60.77	60.77	60.77	60.77	60.77	60.77	60.77	60.77
G 62.0	57.82	57.82	57.82	57.82	57.82	57.82	57.82	57.82	57.82	57.82	57.82	57.82	57.82
G 63.0	54.78	54.78	54.78	54.78	54.78	54.78	54.78	54.78	54.78	54.78	54.78	54.78	54.78
G 64.0	51.89	51.89	51.89	51.89	51.89	51.89	51.89	51.89	51.89	51.89	51.89	51.89	51.89
G 65.0	48.98	48.98	48.98	48.98	48.98	48.98	48.98	48.98	48.98	48.98	48.98	48.98	48.98
G 66.0	46.02	46.02	46.02	46.02	46.02	46.02	46.02	46.02	46.02	46.02	46.02	46.02	46.02
G 67.0	43.21	43.21	43.21	43.21	43.21	43.21	43.21	43.21	43.21	43.21	43.21	43.21	43.21
G 68.0	40.37	40.37	40.37	40.37	40.37	40.37	40.37	40.37	40.37	40.37	40.37	40.37	40.37
G 69.0	37.53	37.53	37.53	37.53	37.53	37.53	37.53	37.53	37.53	37.53	37.53	37.53	37.53
G 70.0	34.77	34.77	34.77	34.77	34.77	34.77	34.77	34.77	34.77	34.77	34.77	34.77	34.77
G 71.0	32.05	32.05	32.05	32.05	32.05	32.05	32.05	32.05	32.05	32.05	32.05	32.05	32.05
G 72.0	29.29	29.29	29.29	29.29	29.29	29.29	29.29	29.29	29.29	29.29	29.29	29.29	29.29



Luminaire
 Code PX-0124-NEG(1)
 Name JUMBO
Measurement
 Code PX-0124-NEG
 Name JUMBO

Luminaire Flux	95.62 lm	Luminaire Power	3.20 W	Efficacy	29.88 lm/W	Efficiency	100.00%
Sources Flux	95.62 lm	Maximum value	249.34 cd/klm	Position	C=0.00 G=0.00	CG	Asymmetrical

Luminous Intensity Table cd/klm Table 3/18

	C 130.00	C 135.00	C 140.00	C 145.00	C 150.00	C 155.00	C 160.00	C 165.00	C 170.00	C 175.00	C 180.00	C 185.00	C 190.00
G 0.0	249.34	249.34	249.34	249.34	249.34	249.34	249.34	249.34	249.34	249.34	249.34	249.34	249.34
G 1.0	249.14	249.14	249.14	249.14	249.14	249.14	249.14	249.14	249.14	249.14	249.14	249.14	249.14
G 2.0	248.82	248.82	248.82	248.82	248.82	248.82	248.82	248.82	248.82	248.82	248.82	248.82	248.82
G 3.0	248.32	248.32	248.32	248.32	248.32	248.32	248.32	248.32	248.32	248.32	248.32	248.32	248.32
G 4.0	247.49	247.49	247.49	247.49	247.49	247.49	247.49	247.49	247.49	247.49	247.49	247.49	247.49
G 5.0	246.45	246.45	246.45	246.45	246.45	246.45	246.45	246.45	246.45	246.45	246.45	246.45	246.45
G 6.0	245.29	245.29	245.29	245.29	245.29	245.29	245.29	245.29	245.29	245.29	245.29	245.29	245.29
G 7.0	243.78	243.78	243.78	243.78	243.78	243.78	243.78	243.78	243.78	243.78	243.78	243.78	243.78
G 8.0	242.12	242.12	242.12	242.12	242.12	242.12	242.12	242.12	242.12	242.12	242.12	242.12	242.12
G 9.0	240.28	240.28	240.28	240.28	240.28	240.28	240.28	240.28	240.28	240.28	240.28	240.28	240.28
G 10.0	238.16	238.16	238.16	238.16	238.16	238.16	238.16	238.16	238.16	238.16	238.16	238.16	238.16
G 11.0	235.91	235.91	235.91	235.91	235.91	235.91	235.91	235.91	235.91	235.91	235.91	235.91	235.91
G 12.0	233.45	233.45	233.45	233.45	233.45	233.45	233.45	233.45	233.45	233.45	233.45	233.45	233.45
G 13.0	230.76	230.76	230.76	230.76	230.76	230.76	230.76	230.76	230.76	230.76	230.76	230.76	230.76
G 14.0	227.94	227.94	227.94	227.94	227.94	227.94	227.94	227.94	227.94	227.94	227.94	227.94	227.94
G 15.0	225.05	225.05	225.05	225.05	225.05	225.05	225.05	225.05	225.05	225.05	225.05	225.05	225.05
G 16.0	221.85	221.85	221.85	221.85	221.85	221.85	221.85	221.85	221.85	221.85	221.85	221.85	221.85
G 17.0	218.70	218.70	218.70	218.70	218.70	218.70	218.70	218.70	218.70	218.70	218.70	218.70	218.70
G 18.0	215.33	215.33	215.33	215.33	215.33	215.33	215.33	215.33	215.33	215.33	215.33	215.33	215.33
G 19.0	211.82	211.82	211.82	211.82	211.82	211.82	211.82	211.82	211.82	211.82	211.82	211.82	211.82
G 20.0	208.34	208.34	208.34	208.34	208.34	208.34	208.34	208.34	208.34	208.34	208.34	208.34	208.34
G 21.0	204.66	204.66	204.66	204.66	204.66	204.66	204.66	204.66	204.66	204.66	204.66	204.66	204.66
G 22.0	200.95	200.95	200.95	200.95	200.95	200.95	200.95	200.95	200.95	200.95	200.95	200.95	200.95
G 23.0	197.22	197.22	197.22	197.22	197.22	197.22	197.22	197.22	197.22	197.22	197.22	197.22	197.22
G 24.0	193.42	193.42	193.42	193.42	193.42	193.42	193.42	193.42	193.42	193.42	193.42	193.42	193.42
G 25.0	189.43	189.43	189.43	189.43	189.43	189.43	189.43	189.43	189.43	189.43	189.43	189.43	189.43
G 26.0	185.60	185.60	185.60	185.60	185.60	185.60	185.60	185.60	185.60	185.60	185.60	185.60	185.60
G 27.0	181.63	181.63	181.63	181.63	181.63	181.63	181.63	181.63	181.63	181.63	181.63	181.63	181.63
G 28.0	177.58	177.58	177.58	177.58	177.58	177.58	177.58	177.58	177.58	177.58	177.58	177.58	177.58
G 29.0	173.64	173.64	173.64	173.64	173.64	173.64	173.64	173.64	173.64	173.64	173.64	173.64	173.64
G 30.0	169.62	169.62	169.62	169.62	169.62	169.62	169.62	169.62	169.62	169.62	169.62	169.62	169.62
G 31.0	165.59	165.59	165.59	165.59	165.59	165.59	165.59	165.59	165.59	165.59	165.59	165.59	165.59
G 32.0	161.63	161.63	161.63	161.63	161.63	161.63	161.63	161.63	161.63	161.63	161.63	161.63	161.63
G 33.0	157.67	157.67	157.67	157.67	157.67	157.67	157.67	157.67	157.67	157.67	157.67	157.67	157.67
G 34.0	153.65	153.65	153.65	153.65	153.65	153.65	153.65	153.65	153.65	153.65	153.65	153.65	153.65
G 35.0	149.77	149.77	149.77	149.77	149.77	149.77	149.77	149.77	149.77	149.77	149.77	149.77	149.77
G 36.0	145.83	145.83	145.83	145.83	145.83	145.83	145.83	145.83	145.83	145.83	145.83	145.83	145.83
G 37.0	141.95	141.95	141.95	141.95	141.95	141.95	141.95	141.95	141.95	141.95	141.95	141.95	141.95
G 38.0	138.16	138.16	138.16	138.16	138.16	138.16	138.16	138.16	138.16	138.16	138.16	138.16	138.16
G 39.0	134.32	134.32	134.32	134.32	134.32	134.32	134.32	134.32	134.32	134.32	134.32	134.32	134.32
G 40.0	130.57	130.57	130.57	130.57	130.57	130.57	130.57	130.57	130.57	130.57	130.57	130.57	130.57
G 41.0	126.88	126.88	126.88	126.88	126.88	126.88	126.88	126.88	126.88	126.88	126.88	126.88	126.88
G 42.0	123.17	123.17	123.17	123.17	123.17	123.17	123.17	123.17	123.17	123.17	123.17	123.17	123.17
G 43.0	119.51	119.51	119.51	119.51	119.51	119.51	119.51	119.51	119.51	119.51	119.51	119.51	119.51
G 44.0	116.00	116.00	116.00	116.00	116.00	116.00	116.00	116.00	116.00	116.00	116.00	116.00	116.00
G 45.0	112.39	112.39	112.39	112.39	112.39	112.39	112.39	112.39	112.39	112.39	112.39	112.39	112.39
G 46.0	108.90	108.90	108.90	108.90	108.90	108.90	108.90	108.90	108.90	108.90	108.90	108.90	108.90
G 47.0	105.48	105.48	105.48	105.48	105.48	105.48	105.48	105.48	105.48	105.48	105.48	105.48	105.48
G 48.0	102.02	102.02	102.02	102.02	102.02	102.02	102.02	102.02	102.02	102.02	102.02	102.02	102.02
G 49.0	98.63	98.63	98.63	98.63	98.63	98.63	98.63	98.63	98.63	98.63	98.63	98.63	98.63
G 50.0	95.33	95.33	95.33	95.33	95.33	95.33	95.33	95.33	95.33	95.33	95.33	95.33	95.33
G 51.0	91.99	91.99	91.99	91.99	91.99	91.99	91.99	91.99	91.99	91.99	91.99	91.99	91.99
G 52.0	88.72	88.72	88.72	88.72	88.72	88.72	88.72	88.72	88.72	88.72	88.72	88.72	88.72
G 53.0	85.54	85.54	85.54	85.54	85.54	85.54	85.54	85.54	85.54	85.54	85.54	85.54	85.54
G 54.0	82.28	82.28	82.28	82.28	82.28	82.28	82.28	82.28	82.28	82.28	82.28	82.28	82.28
G 55.0	79.16	79.16	79.16	79.16	79.16	79.16	79.16	79.16	79.16	79.16	79.16	79.16	79.16
G 56.0	76.02	76.02	76.02	76.02	76.02	76.02	76.02	76.02	76.02	76.02	76.02	76.02	76.02
G 57.0	72.87	72.87	72.87	72.87	72.87	72.87	72.87	72.87	72.87	72.87	72.87	72.87	72.87
G 58.0	69.84	69.84	69.84	69.84	69.84	69.84	69.84	69.84	69.84	69.84	69.84	69.84	69.84
G 59.0	66.81	66.81	66.81	66.81	66.81	66.81	66.81	66.81	66.81	66.81	66.81	66.81	66.81
G 60.0	63.76	63.76	63.76	63.76	63.76	63.76	63.76	63.76	63.76	63.76	63.76	63.76	63.76
G 61.0	60.77	60.77	60.77	60.77	60.77	60.77	60.77	60.77	60.77	60.77	60.77	60.77	60.77
G 62.0	57.82	57.82	57.82	57.82	57.82	57.82	57.82	57.82	57.82	57.82	57.82	57.82	57.82
G 63.0	54.78	54.78	54.78	54.78	54.78	54.78	54.78	54.78	54.78	54.78	54.78	54.78	54.78
G 64.0	51.89	51.89	51.89	51.89	51.89	51.89	51.89	51.89	51.89	51.89	51.89	51.89	51.89
G 65.0	48.98	48.98	48.98	48.98	48.98	48.98	48.98	48.98	48.98	48.98	48.98	48.98	48.98
G 66.0	46.02	46.02	46.02	46.02	46.02	46.02	46.02	46.02	46.02	46.02	46.02	46.02	46.02
G 67.0	43.21	43.21	43.21	43.21	43.21	43.21	43.21	43.21	43.21	43.21	43.21	43.21	43.21
G 68.0	40.37	40.37	40.37	40.37	40.37	40.37	40.37	40.37	40.37	40.37	40.37	40.37	40.37
G 69.0	37.53	37.53	37.53	37.53	37.53	37.53	37.53	37.53	37.53	37.53	37.53	37.53	37.53
G 70.0	34.77	34.77	34.77	34.77	34.77	34.77	34.77	34.77	34.77	34.77	34.77	34.77	34.77
G 71.0	32.05	32.05	32.05	32.05	32.05	32.05	32.05	32.05	32.05	32.05	32.05	32.05	32.05
G 72.0	29.29	29.29	29.29	29.29	29.29	29.29	29.29	29.29	29.29	29.29	29.29	29.29	29.29



Luminaire
 Code PX-0124-NEG(1)
 Name JUMBO
Measurement
 Code PX-0124-NEG
 Name JUMBO

Luminaire Flux	95.62 lm	Luminaire Power	3.20 W	Efficacy	29.88 lm/W	Efficiency	100.00%
Sources Flux	95.62 lm	Maximum value	249.34 cd/klm	Position	C=0.00 G=0.00	CG	Asymmetrical

Luminous Intensity Table cd/klm Table 4/18

	C 195.00	C 200.00	C 205.00	C 210.00	C 215.00	C 220.00	C 225.00	C 230.00	C 235.00	C 240.00	C 245.00	C 250.00	C 255.00
G 0.0	249.34	249.34	249.34	249.34	249.34	249.34	249.34	249.34	249.34	249.34	249.34	249.34	249.34
G 1.0	249.14	249.14	249.14	249.14	249.14	249.14	249.14	249.14	249.14	249.14	249.14	249.14	249.14
G 2.0	248.82	248.82	248.82	248.82	248.82	248.82	248.82	248.82	248.82	248.82	248.82	248.82	248.82
G 3.0	248.32	248.32	248.32	248.32	248.32	248.32	248.32	248.32	248.32	248.32	248.32	248.32	248.32
G 4.0	247.49	247.49	247.49	247.49	247.49	247.49	247.49	247.49	247.49	247.49	247.49	247.49	247.49
G 5.0	246.45	246.45	246.45	246.45	246.45	246.45	246.45	246.45	246.45	246.45	246.45	246.45	246.45
G 6.0	245.29	245.29	245.29	245.29	245.29	245.29	245.29	245.29	245.29	245.29	245.29	245.29	245.29
G 7.0	243.78	243.78	243.78	243.78	243.78	243.78	243.78	243.78	243.78	243.78	243.78	243.78	243.78
G 8.0	242.12	242.12	242.12	242.12	242.12	242.12	242.12	242.12	242.12	242.12	242.12	242.12	242.12
G 9.0	240.28	240.28	240.28	240.28	240.28	240.28	240.28	240.28	240.28	240.28	240.28	240.28	240.28
G 10.0	238.16	238.16	238.16	238.16	238.16	238.16	238.16	238.16	238.16	238.16	238.16	238.16	238.16
G 11.0	235.91	235.91	235.91	235.91	235.91	235.91	235.91	235.91	235.91	235.91	235.91	235.91	235.91
G 12.0	233.45	233.45	233.45	233.45	233.45	233.45	233.45	233.45	233.45	233.45	233.45	233.45	233.45
G 13.0	230.76	230.76	230.76	230.76	230.76	230.76	230.76	230.76	230.76	230.76	230.76	230.76	230.76
G 14.0	227.94	227.94	227.94	227.94	227.94	227.94	227.94	227.94	227.94	227.94	227.94	227.94	227.94
G 15.0	225.05	225.05	225.05	225.05	225.05	225.05	225.05	225.05	225.05	225.05	225.05	225.05	225.05
G 16.0	221.85	221.85	221.85	221.85	221.85	221.85	221.85	221.85	221.85	221.85	221.85	221.85	221.85
G 17.0	218.70	218.70	218.70	218.70	218.70	218.70	218.70	218.70	218.70	218.70	218.70	218.70	218.70
G 18.0	215.33	215.33	215.33	215.33	215.33	215.33	215.33	215.33	215.33	215.33	215.33	215.33	215.33
G 19.0	211.82	211.82	211.82	211.82	211.82	211.82	211.82	211.82	211.82	211.82	211.82	211.82	211.82
G 20.0	208.34	208.34	208.34	208.34	208.34	208.34	208.34	208.34	208.34	208.34	208.34	208.34	208.34
G 21.0	204.66	204.66	204.66	204.66	204.66	204.66	204.66	204.66	204.66	204.66	204.66	204.66	204.66
G 22.0	200.95	200.95	200.95	200.95	200.95	200.95	200.95	200.95	200.95	200.95	200.95	200.95	200.95
G 23.0	197.22	197.22	197.22	197.22	197.22	197.22	197.22	197.22	197.22	197.22	197.22	197.22	197.22
G 24.0	193.42	193.42	193.42	193.42	193.42	193.42	193.42	193.42	193.42	193.42	193.42	193.42	193.42
G 25.0	189.43	189.43	189.43	189.43	189.43	189.43	189.43	189.43	189.43	189.43	189.43	189.43	189.43
G 26.0	185.60	185.60	185.60	185.60	185.60	185.60	185.60	185.60	185.60	185.60	185.60	185.60	185.60
G 27.0	181.63	181.63	181.63	181.63	181.63	181.63	181.63	181.63	181.63	181.63	181.63	181.63	181.63
G 28.0	177.58	177.58	177.58	177.58	177.58	177.58	177.58	177.58	177.58	177.58	177.58	177.58	177.58
G 29.0	173.64	173.64	173.64	173.64	173.64	173.64	173.64	173.64	173.64	173.64	173.64	173.64	173.64
G 30.0	169.62	169.62	169.62	169.62	169.62	169.62	169.62	169.62	169.62	169.62	169.62	169.62	169.62
G 31.0	165.59	165.59	165.59	165.59	165.59	165.59	165.59	165.59	165.59	165.59	165.59	165.59	165.59
G 32.0	161.63	161.63	161.63	161.63	161.63	161.63	161.63	161.63	161.63	161.63	161.63	161.63	161.63
G 33.0	157.67	157.67	157.67	157.67	157.67	157.67	157.67	157.67	157.67	157.67	157.67	157.67	157.67
G 34.0	153.65	153.65	153.65	153.65	153.65	153.65	153.65	153.65	153.65	153.65	153.65	153.65	153.65
G 35.0	149.77	149.77	149.77	149.77	149.77	149.77	149.77	149.77	149.77	149.77	149.77	149.77	149.77
G 36.0	145.83	145.83	145.83	145.83	145.83	145.83	145.83	145.83	145.83	145.83	145.83	145.83	145.83
G 37.0	141.95	141.95	141.95	141.95	141.95	141.95	141.95	141.95	141.95	141.95	141.95	141.95	141.95
G 38.0	138.16	138.16	138.16	138.16	138.16	138.16	138.16	138.16	138.16	138.16	138.16	138.16	138.16
G 39.0	134.32	134.32	134.32	134.32	134.32	134.32	134.32	134.32	134.32	134.32	134.32	134.32	134.32
G 40.0	130.57	130.57	130.57	130.57	130.57	130.57	130.57	130.57	130.57	130.57	130.57	130.57	130.57
G 41.0	126.88	126.88	126.88	126.88	126.88	126.88	126.88	126.88	126.88	126.88	126.88	126.88	126.88
G 42.0	123.17	123.17	123.17	123.17	123.17	123.17	123.17	123.17	123.17	123.17	123.17	123.17	123.17
G 43.0	119.51	119.51	119.51	119.51	119.51	119.51	119.51	119.51	119.51	119.51	119.51	119.51	119.51
G 44.0	116.00	116.00	116.00	116.00	116.00	116.00	116.00	116.00	116.00	116.00	116.00	116.00	116.00
G 45.0	112.39	112.39	112.39	112.39	112.39	112.39	112.39	112.39	112.39	112.39	112.39	112.39	112.39
G 46.0	108.90	108.90	108.90	108.90	108.90	108.90	108.90	108.90	108.90	108.90	108.90	108.90	108.90
G 47.0	105.48	105.48	105.48	105.48	105.48	105.48	105.48	105.48	105.48	105.48	105.48	105.48	105.48
G 48.0	102.02	102.02	102.02	102.02	102.02	102.02	102.02	102.02	102.02	102.02	102.02	102.02	102.02
G 49.0	98.63	98.63	98.63	98.63	98.63	98.63	98.63	98.63	98.63	98.63	98.63	98.63	98.63
G 50.0	95.33	95.33	95.33	95.33	95.33	95.33	95.33	95.33	95.33	95.33	95.33	95.33	95.33
G 51.0	91.99	91.99	91.99	91.99	91.99	91.99	91.99	91.99	91.99	91.99	91.99	91.99	91.99
G 52.0	88.72	88.72	88.72	88.72	88.72	88.72	88.72	88.72	88.72	88.72	88.72	88.72	88.72
G 53.0	85.54	85.54	85.54	85.54	85.54	85.54	85.54	85.54	85.54	85.54	85.54	85.54	85.54
G 54.0	82.28	82.28	82.28	82.28	82.28	82.28	82.28	82.28	82.28	82.28	82.28	82.28	82.28
G 55.0	79.16	79.16	79.16	79.16	79.16	79.16	79.16	79.16	79.16	79.16	79.16	79.16	79.16
G 56.0	76.02	76.02	76.02	76.02	76.02	76.02	76.02	76.02	76.02	76.02	76.02	76.02	76.02
G 57.0	72.87	72.87	72.87	72.87	72.87	72.87	72.87	72.87	72.87	72.87	72.87	72.87	72.87
G 58.0	69.84	69.84	69.84	69.84	69.84	69.84	69.84	69.84	69.84	69.84	69.84	69.84	69.84
G 59.0	66.81	66.81	66.81	66.81	66.81	66.81	66.81	66.81	66.81	66.81	66.81	66.81	66.81
G 60.0	63.76	63.76	63.76	63.76	63.76	63.76	63.76	63.76	63.76	63.76	63.76	63.76	63.76
G 61.0	60.77	60.77	60.77	60.77	60.77	60.77	60.77	60.77	60.77	60.77	60.77	60.77	60.77
G 62.0	57.82	57.82	57.82	57.82	57.82	57.82	57.82	57.82	57.82	57.82	57.82	57.82	57.82
G 63.0	54.78	54.78	54.78	54.78	54.78	54.78	54.78	54.78	54.78	54.78	54.78	54.78	54.78
G 64.0	51.89	51.89	51.89	51.89	51.89	51.89	51.89	51.89	51.89	51.89	51.89	51.89	51.89
G 65.0	48.98	48.98	48.98	48.98	48.98	48.98	48.98	48.98	48.98	48.98	48.98	48.98	48.98
G 66.0	46.02	46.02	46.02	46.02	46.02	46.02	46.02	46.02	46.02	46.02	46.02	46.02	46.02
G 67.0	43.21	43.21	43.21	43.21	43.21	43.21	43.21	43.21	43.21	43.21	43.21	43.21	43.21
G 68.0	40.37	40.37	40.37	40.37	40.37	40.37	40.37	40.37	40.37	40.37	40.37	40.37	40.37
G 69.0	37.53	37.53	37.53	37.53	37.53	37.53	37.53	37.53	37.53	37.53	37.53	37.53	37.53
G 70.0	34.77	34.77	34.77	34.77	34.77	34.77	34.77	34.77	34.77	34.77	34.77	34.77	34.77
G 71.0	32.05	32.05	32.05	32.05	32.05	32.05	32.05	32.05	32.05	32.05	32.05	32.05	32.05
G 72.0	29.29	29.29	29.29	29.29	29.29	29.29	29.29	29.29	29.29	29.29	29.29	29.29	29.29



Luminaire
 Code PX-0124-NEG(1)
 Name JUMBO
Measurement
 Code PX-0124-NEG
 Name JUMBO

Luminaire Flux	95.62 lm	Luminaire Power	3.20 W	Efficacy	29.88 lm/W	Efficiency	100.00%
Sources Flux	95.62 lm	Maximum value	249.34 cd/klm	Position	C=0.00 G=0.00	CG	Asymmetrical

Luminous Intensity Table cd/klm Table 5/18

	C 260.00	C 265.00	C 270.00	C 275.00	C 280.00	C 285.00	C 290.00	C 295.00	C 300.00	C 305.00	C 310.00	C 315.00	C 320.00
G 0.0	249.34	249.34	249.34	249.34	249.34	249.34	249.34	249.34	249.34	249.34	249.34	249.34	249.34
G 1.0	249.14	249.14	249.14	249.14	249.14	249.14	249.14	249.14	249.14	249.14	249.14	249.14	249.14
G 2.0	248.82	248.82	248.82	248.82	248.82	248.82	248.82	248.82	248.82	248.82	248.82	248.82	248.82
G 3.0	248.32	248.32	248.32	248.32	248.32	248.32	248.32	248.32	248.32	248.32	248.32	248.32	248.32
G 4.0	247.49	247.49	247.49	247.49	247.49	247.49	247.49	247.49	247.49	247.49	247.49	247.49	247.49
G 5.0	246.45	246.45	246.45	246.45	246.45	246.45	246.45	246.45	246.45	246.45	246.45	246.45	246.45
G 6.0	245.29	245.29	245.29	245.29	245.29	245.29	245.29	245.29	245.29	245.29	245.29	245.29	245.29
G 7.0	243.78	243.78	243.78	243.78	243.78	243.78	243.78	243.78	243.78	243.78	243.78	243.78	243.78
G 8.0	242.12	242.12	242.12	242.12	242.12	242.12	242.12	242.12	242.12	242.12	242.12	242.12	242.12
G 9.0	240.28	240.28	240.28	240.28	240.28	240.28	240.28	240.28	240.28	240.28	240.28	240.28	240.28
G 10.0	238.16	238.16	238.16	238.16	238.16	238.16	238.16	238.16	238.16	238.16	238.16	238.16	238.16
G 11.0	235.91	235.91	235.91	235.91	235.91	235.91	235.91	235.91	235.91	235.91	235.91	235.91	235.91
G 12.0	233.45	233.45	233.45	233.45	233.45	233.45	233.45	233.45	233.45	233.45	233.45	233.45	233.45
G 13.0	230.76	230.76	230.76	230.76	230.76	230.76	230.76	230.76	230.76	230.76	230.76	230.76	230.76
G 14.0	227.94	227.94	227.94	227.94	227.94	227.94	227.94	227.94	227.94	227.94	227.94	227.94	227.94
G 15.0	225.05	225.05	225.05	225.05	225.05	225.05	225.05	225.05	225.05	225.05	225.05	225.05	225.05
G 16.0	221.85	221.85	221.85	221.85	221.85	221.85	221.85	221.85	221.85	221.85	221.85	221.85	221.85
G 17.0	218.70	218.70	218.70	218.70	218.70	218.70	218.70	218.70	218.70	218.70	218.70	218.70	218.70
G 18.0	215.33	215.33	215.33	215.33	215.33	215.33	215.33	215.33	215.33	215.33	215.33	215.33	215.33
G 19.0	211.82	211.82	211.82	211.82	211.82	211.82	211.82	211.82	211.82	211.82	211.82	211.82	211.82
G 20.0	208.34	208.34	208.34	208.34	208.34	208.34	208.34	208.34	208.34	208.34	208.34	208.34	208.34
G 21.0	204.66	204.66	204.66	204.66	204.66	204.66	204.66	204.66	204.66	204.66	204.66	204.66	204.66
G 22.0	200.95	200.95	200.95	200.95	200.95	200.95	200.95	200.95	200.95	200.95	200.95	200.95	200.95
G 23.0	197.22	197.22	197.22	197.22	197.22	197.22	197.22	197.22	197.22	197.22	197.22	197.22	197.22
G 24.0	193.42	193.42	193.42	193.42	193.42	193.42	193.42	193.42	193.42	193.42	193.42	193.42	193.42
G 25.0	189.43	189.43	189.43	189.43	189.43	189.43	189.43	189.43	189.43	189.43	189.43	189.43	189.43
G 26.0	185.60	185.60	185.60	185.60	185.60	185.60	185.60	185.60	185.60	185.60	185.60	185.60	185.60
G 27.0	181.63	181.63	181.63	181.63	181.63	181.63	181.63	181.63	181.63	181.63	181.63	181.63	181.63
G 28.0	177.58	177.58	177.58	177.58	177.58	177.58	177.58	177.58	177.58	177.58	177.58	177.58	177.58
G 29.0	173.64	173.64	173.64	173.64	173.64	173.64	173.64	173.64	173.64	173.64	173.64	173.64	173.64
G 30.0	169.62	169.62	169.62	169.62	169.62	169.62	169.62	169.62	169.62	169.62	169.62	169.62	169.62
G 31.0	165.59	165.59	165.59	165.59	165.59	165.59	165.59	165.59	165.59	165.59	165.59	165.59	165.59
G 32.0	161.63	161.63	161.63	161.63	161.63	161.63	161.63	161.63	161.63	161.63	161.63	161.63	161.63
G 33.0	157.67	157.67	157.67	157.67	157.67	157.67	157.67	157.67	157.67	157.67	157.67	157.67	157.67
G 34.0	153.65	153.65	153.65	153.65	153.65	153.65	153.65	153.65	153.65	153.65	153.65	153.65	153.65
G 35.0	149.77	149.77	149.77	149.77	149.77	149.77	149.77	149.77	149.77	149.77	149.77	149.77	149.77
G 36.0	145.83	145.83	145.83	145.83	145.83	145.83	145.83	145.83	145.83	145.83	145.83	145.83	145.83
G 37.0	141.95	141.95	141.95	141.95	141.95	141.95	141.95	141.95	141.95	141.95	141.95	141.95	141.95
G 38.0	138.16	138.16	138.16	138.16	138.16	138.16	138.16	138.16	138.16	138.16	138.16	138.16	138.16
G 39.0	134.32	134.32	134.32	134.32	134.32	134.32	134.32	134.32	134.32	134.32	134.32	134.32	134.32
G 40.0	130.57	130.57	130.57	130.57	130.57	130.57	130.57	130.57	130.57	130.57	130.57	130.57	130.57
G 41.0	126.88	126.88	126.88	126.88	126.88	126.88	126.88	126.88	126.88	126.88	126.88	126.88	126.88
G 42.0	123.17	123.17	123.17	123.17	123.17	123.17	123.17	123.17	123.17	123.17	123.17	123.17	123.17
G 43.0	119.51	119.51	119.51	119.51	119.51	119.51	119.51	119.51	119.51	119.51	119.51	119.51	119.51
G 44.0	116.00	116.00	116.00	116.00	116.00	116.00	116.00	116.00	116.00	116.00	116.00	116.00	116.00
G 45.0	112.39	112.39	112.39	112.39	112.39	112.39	112.39	112.39	112.39	112.39	112.39	112.39	112.39
G 46.0	108.90	108.90	108.90	108.90	108.90	108.90	108.90	108.90	108.90	108.90	108.90	108.90	108.90
G 47.0	105.48	105.48	105.48	105.48	105.48	105.48	105.48	105.48	105.48	105.48	105.48	105.48	105.48
G 48.0	102.02	102.02	102.02	102.02	102.02	102.02	102.02	102.02	102.02	102.02	102.02	102.02	102.02
G 49.0	98.63	98.63	98.63	98.63	98.63	98.63	98.63	98.63	98.63	98.63	98.63	98.63	98.63
G 50.0	95.33	95.33	95.33	95.33	95.33	95.33	95.33	95.33	95.33	95.33	95.33	95.33	95.33
G 51.0	91.99	91.99	91.99	91.99	91.99	91.99	91.99	91.99	91.99	91.99	91.99	91.99	91.99
G 52.0	88.72	88.72	88.72	88.72	88.72	88.72	88.72	88.72	88.72	88.72	88.72	88.72	88.72
G 53.0	85.54	85.54	85.54	85.54	85.54	85.54	85.54	85.54	85.54	85.54	85.54	85.54	85.54
G 54.0	82.28	82.28	82.28	82.28	82.28	82.28	82.28	82.28	82.28	82.28	82.28	82.28	82.28
G 55.0	79.16	79.16	79.16	79.16	79.16	79.16	79.16	79.16	79.16	79.16	79.16	79.16	79.16
G 56.0	76.02	76.02	76.02	76.02	76.02	76.02	76.02	76.02	76.02	76.02	76.02	76.02	76.02
G 57.0	72.87	72.87	72.87	72.87	72.87	72.87	72.87	72.87	72.87	72.87	72.87	72.87	72.87
G 58.0	69.84	69.84	69.84	69.84	69.84	69.84	69.84	69.84	69.84	69.84	69.84	69.84	69.84
G 59.0	66.81	66.81	66.81	66.81	66.81	66.81	66.81	66.81	66.81	66.81	66.81	66.81	66.81
G 60.0	63.76	63.76	63.76	63.76	63.76	63.76	63.76	63.76	63.76	63.76	63.76	63.76	63.76
G 61.0	60.77	60.77	60.77	60.77	60.77	60.77	60.77	60.77	60.77	60.77	60.77	60.77	60.77
G 62.0	57.82	57.82	57.82	57.82	57.82	57.82	57.82	57.82	57.82	57.82	57.82	57.82	57.82
G 63.0	54.78	54.78	54.78	54.78	54.78	54.78	54.78	54.78	54.78	54.78	54.78	54.78	54.78
G 64.0	51.89	51.89	51.89	51.89	51.89	51.89	51.89	51.89	51.89	51.89	51.89	51.89	51.89
G 65.0	48.98	48.98	48.98	48.98	48.98	48.98	48.98	48.98	48.98	48.98	48.98	48.98	48.98
G 66.0	46.02	46.02	46.02	46.02	46.02	46.02	46.02	46.02	46.02	46.02	46.02	46.02	46.02
G 67.0	43.21	43.21	43.21	43.21	43.21	43.21	43.21	43.21	43.21	43.21	43.21	43.21	43.21
G 68.0	40.37	40.37	40.37	40.37	40.37	40.37	40.37	40.37	40.37	40.37	40.37	40.37	40.37
G 69.0	37.53	37.53	37.53	37.53	37.53	37.53	37.53	37.53	37.53	37.53	37.53	37.53	37.53
G 70.0	34.77	34.77	34.77	34.77	34.77	34.77	34.77	34.77	34.77	34.77	34.77	34.77	34.77
G 71.0	32.05	32.05	32.05	32.05	32.05	32.05	32.05	32.05	32.05	32.05	32.05	32.05	32.05
G 72.0	29.29	29.29	29.29	29.29	29.29	29.29	29.29	29.29	29.29	29.29	29.29	29.29	29.29



Luminaire

Code PX-0124-NEG(1)
Name JUMBO

Measurerm.

Code PX-0124-NEG
Name JUMBO

Luminaire Flux	95.62 lm	Luminaire Power	3.20 W	Efficacy	29.88 lm/W	Efficiency	100.00%
Sources Flux	95.62 lm	Maximum value	249.34 cd/klm	Position	C=0.00 G=0.00	CG	Asymmetrical

Luminous Intensity Table cd/klm Table 6/18

	C 325.00	C 330.00	C 335.00	C 340.00	C 345.00	C 350.00	C 355.00
G 0.0	249.34	249.34	249.34	249.34	249.34	249.34	249.34
G 1.0	249.14	249.14	249.14	249.14	249.14	249.14	249.14
G 2.0	248.82	248.82	248.82	248.82	248.82	248.82	248.82
G 3.0	248.32	248.32	248.32	248.32	248.32	248.32	248.32
G 4.0	247.49	247.49	247.49	247.49	247.49	247.49	247.49
G 5.0	246.45	246.45	246.45	246.45	246.45	246.45	246.45
G 6.0	245.29	245.29	245.29	245.29	245.29	245.29	245.29
G 7.0	243.78	243.78	243.78	243.78	243.78	243.78	243.78
G 8.0	242.12	242.12	242.12	242.12	242.12	242.12	242.12
G 9.0	240.28	240.28	240.28	240.28	240.28	240.28	240.28
G 10.0	238.16	238.16	238.16	238.16	238.16	238.16	238.16
G 11.0	235.91	235.91	235.91	235.91	235.91	235.91	235.91
G 12.0	233.45	233.45	233.45	233.45	233.45	233.45	233.45
G 13.0	230.76	230.76	230.76	230.76	230.76	230.76	230.76
G 14.0	227.94	227.94	227.94	227.94	227.94	227.94	227.94
G 15.0	225.05	225.05	225.05	225.05	225.05	225.05	225.05
G 16.0	221.85	221.85	221.85	221.85	221.85	221.85	221.85
G 17.0	218.70	218.70	218.70	218.70	218.70	218.70	218.70
G 18.0	215.33	215.33	215.33	215.33	215.33	215.33	215.33
G 19.0	211.82	211.82	211.82	211.82	211.82	211.82	211.82
G 20.0	208.34	208.34	208.34	208.34	208.34	208.34	208.34
G 21.0	204.66	204.66	204.66	204.66	204.66	204.66	204.66
G 22.0	200.95	200.95	200.95	200.95	200.95	200.95	200.95
G 23.0	197.22	197.22	197.22	197.22	197.22	197.22	197.22
G 24.0	193.42	193.42	193.42	193.42	193.42	193.42	193.42
G 25.0	189.43	189.43	189.43	189.43	189.43	189.43	189.43
G 26.0	185.60	185.60	185.60	185.60	185.60	185.60	185.60
G 27.0	181.63	181.63	181.63	181.63	181.63	181.63	181.63
G 28.0	177.58	177.58	177.58	177.58	177.58	177.58	177.58
G 29.0	173.64	173.64	173.64	173.64	173.64	173.64	173.64
G 30.0	169.62	169.62	169.62	169.62	169.62	169.62	169.62
G 31.0	165.59	165.59	165.59	165.59	165.59	165.59	165.59
G 32.0	161.63	161.63	161.63	161.63	161.63	161.63	161.63
G 33.0	157.67	157.67	157.67	157.67	157.67	157.67	157.67
G 34.0	153.65	153.65	153.65	153.65	153.65	153.65	153.65
G 35.0	149.77	149.77	149.77	149.77	149.77	149.77	149.77
G 36.0	145.83	145.83	145.83	145.83	145.83	145.83	145.83
G 37.0	141.95	141.95	141.95	141.95	141.95	141.95	141.95
G 38.0	138.16	138.16	138.16	138.16	138.16	138.16	138.16
G 39.0	134.32	134.32	134.32	134.32	134.32	134.32	134.32
G 40.0	130.57	130.57	130.57	130.57	130.57	130.57	130.57
G 41.0	126.88	126.88	126.88	126.88	126.88	126.88	126.88
G 42.0	123.17	123.17	123.17	123.17	123.17	123.17	123.17
G 43.0	119.51	119.51	119.51	119.51	119.51	119.51	119.51
G 44.0	116.00	116.00	116.00	116.00	116.00	116.00	116.00
G 45.0	112.39	112.39	112.39	112.39	112.39	112.39	112.39
G 46.0	108.90	108.90	108.90	108.90	108.90	108.90	108.90
G 47.0	105.48	105.48	105.48	105.48	105.48	105.48	105.48
G 48.0	102.02	102.02	102.02	102.02	102.02	102.02	102.02
G 49.0	98.63	98.63	98.63	98.63	98.63	98.63	98.63
G 50.0	95.33	95.33	95.33	95.33	95.33	95.33	95.33
G 51.0	91.99	91.99	91.99	91.99	91.99	91.99	91.99
G 52.0	88.72	88.72	88.72	88.72	88.72	88.72	88.72
G 53.0	85.54	85.54	85.54	85.54	85.54	85.54	85.54
G 54.0	82.28	82.28	82.28	82.28	82.28	82.28	82.28
G 55.0	79.16	79.16	79.16	79.16	79.16	79.16	79.16
G 56.0	76.02	76.02	76.02	76.02	76.02	76.02	76.02
G 57.0	72.87	72.87	72.87	72.87	72.87	72.87	72.87
G 58.0	69.84	69.84	69.84	69.84	69.84	69.84	69.84
G 59.0	66.81	66.81	66.81	66.81	66.81	66.81	66.81
G 60.0	63.76	63.76	63.76	63.76	63.76	63.76	63.76
G 61.0	60.77	60.77	60.77	60.77	60.77	60.77	60.77
G 62.0	57.82	57.82	57.82	57.82	57.82	57.82	57.82
G 63.0	54.78	54.78	54.78	54.78	54.78	54.78	54.78
G 64.0	51.89	51.89	51.89	51.89	51.89	51.89	51.89
G 65.0	48.98	48.98	48.98	48.98	48.98	48.98	48.98
G 66.0	46.02	46.02	46.02	46.02	46.02	46.02	46.02
G 67.0	43.21	43.21	43.21	43.21	43.21	43.21	43.21
G 68.0	40.37	40.37	40.37	40.37	40.37	40.37	40.37
G 69.0	37.53	37.53	37.53	37.53	37.53	37.53	37.53
G 70.0	34.77	34.77	34.77	34.77	34.77	34.77	34.77
G 71.0	32.05	32.05	32.05	32.05	32.05	32.05	32.05
G 72.0	29.29	29.29	29.29	29.29	29.29	29.29	29.29



Luminaire

Code PX-0124-NEG(1)
Name JUMBO

Measur.

Code PX-0124-NEG
Name JUMBO

Luminaire Flux	95.62 lm	Luminaire Power	3.20 W	Efficacy	29.88 lm/W	Efficiency	100.00%
Sources Flux	95.62 lm	Maximum value	249.34 cd/klm	Position	C=0.00 G=0.00	CG	Asymmetrical

Luminous Intensity Table cd/klm Table 7/18

	C 0.00	C 5.00	C 10.00	C 15.00	C 20.00	C 25.00	C 30.00	C 35.00	C 40.00	C 45.00	C 50.00	C 55.00	C 60.00
G 73.0	26.71	26.71	26.71	26.71	26.71	26.71	26.71	26.71	26.71	26.71	26.71	26.71	26.71
G 74.0	24.07	24.07	24.07	24.07	24.07	24.07	24.07	24.07	24.07	24.07	24.07	24.07	24.07
G 75.0	21.53	21.53	21.53	21.53	21.53	21.53	21.53	21.53	21.53	21.53	21.53	21.53	21.53
G 76.0	19.11	19.11	19.11	19.11	19.11	19.11	19.11	19.11	19.11	19.11	19.11	19.11	19.11
G 77.0	16.66	16.66	16.66	16.66	16.66	16.66	16.66	16.66	16.66	16.66	16.66	16.66	16.66
G 78.0	14.34	14.34	14.34	14.34	14.34	14.34	14.34	14.34	14.34	14.34	14.34	14.34	14.34
G 79.0	12.20	12.20	12.20	12.20	12.20	12.20	12.20	12.20	12.20	12.20	12.20	12.20	12.20
G 80.0	10.10	10.10	10.10	10.10	10.10	10.10	10.10	10.10	10.10	10.10	10.10	10.10	10.10
G 81.0	8.19	8.19	8.19	8.19	8.19	8.19	8.19	8.19	8.19	8.19	8.19	8.19	8.19
G 82.0	6.49	6.49	6.49	6.49	6.49	6.49	6.49	6.49	6.49	6.49	6.49	6.49	6.49
G 83.0	4.96	4.96	4.96	4.96	4.96	4.96	4.96	4.96	4.96	4.96	4.96	4.96	4.96
G 84.0	3.60	3.60	3.60	3.60	3.60	3.60	3.60	3.60	3.60	3.60	3.60	3.60	3.60
G 85.0	2.51	2.51	2.51	2.51	2.51	2.51	2.51	2.51	2.51	2.51	2.51	2.51	2.51
G 86.0	1.56	1.56	1.56	1.56	1.56	1.56	1.56	1.56	1.56	1.56	1.56	1.56	1.56
G 87.0	0.91	0.91	0.91	0.91	0.91	0.91	0.91	0.91	0.91	0.91	0.91	0.91	0.91
G 88.0	0.50	0.50	0.50	0.50	0.50	0.50	0.50	0.50	0.50	0.50	0.50	0.50	0.50
G 89.0	0.28	0.28	0.28	0.28	0.28	0.28	0.28	0.28	0.28	0.28	0.28	0.28	0.28
G 90.0	0.33	0.33	0.33	0.33	0.33	0.33	0.33	0.33	0.33	0.33	0.33	0.33	0.33
G 91.0	0.28	0.28	0.28	0.28	0.28	0.28	0.28	0.28	0.28	0.28	0.28	0.28	0.28
G 92.0	0.50	0.50	0.50	0.50	0.50	0.50	0.50	0.50	0.50	0.50	0.50	0.50	0.50
G 93.0	0.91	0.91	0.91	0.91	0.91	0.91	0.91	0.91	0.91	0.91	0.91	0.91	0.91
G 94.0	1.56	1.56	1.56	1.56	1.56	1.56	1.56	1.56	1.56	1.56	1.56	1.56	1.56
G 95.0	2.51	2.51	2.51	2.51	2.51	2.51	2.51	2.51	2.51	2.51	2.51	2.51	2.51
G 96.0	3.60	3.60	3.60	3.60	3.60	3.60	3.60	3.60	3.60	3.60	3.60	3.60	3.60
G 97.0	4.96	4.96	4.96	4.96	4.96	4.96	4.96	4.96	4.96	4.96	4.96	4.96	4.96
G 98.0	6.49	6.49	6.49	6.49	6.49	6.49	6.49	6.49	6.49	6.49	6.49	6.49	6.49
G 99.0	8.19	8.19	8.19	8.19	8.19	8.19	8.19	8.19	8.19	8.19	8.19	8.19	8.19
G100.0	10.10	10.10	10.10	10.10	10.10	10.10	10.10	10.10	10.10	10.10	10.10	10.10	10.10
G101.0	12.20	12.20	12.20	12.20	12.20	12.20	12.20	12.20	12.20	12.20	12.20	12.20	12.20
G102.0	14.34	14.34	14.34	14.34	14.34	14.34	14.34	14.34	14.34	14.34	14.34	14.34	14.34
G103.0	16.66	16.66	16.66	16.66	16.66	16.66	16.66	16.66	16.66	16.66	16.66	16.66	16.66
G104.0	19.11	19.11	19.11	19.11	19.11	19.11	19.11	19.11	19.11	19.11	19.11	19.11	19.11
G105.0	21.53	21.53	21.53	21.53	21.53	21.53	21.53	21.53	21.53	21.53	21.53	21.53	21.53
G106.0	24.07	24.07	24.07	24.07	24.07	24.07	24.07	24.07	24.07	24.07	24.07	24.07	24.07
G107.0	26.71	26.71	26.71	26.71	26.71	26.71	26.71	26.71	26.71	26.71	26.71	26.71	26.71
G108.0	29.29	29.29	29.29	29.29	29.29	29.29	29.29	29.29	29.29	29.29	29.29	29.29	29.29
G109.0	32.05	32.05	32.05	32.05	32.05	32.05	32.05	32.05	32.05	32.05	32.05	32.05	32.05
G110.0	34.77	34.77	34.77	34.77	34.77	34.77	34.77	34.77	34.77	34.77	34.77	34.77	34.77
G111.0	37.53	37.53	37.53	37.53	37.53	37.53	37.53	37.53	37.53	37.53	37.53	37.53	37.53
G112.0	40.37	40.37	40.37	40.37	40.37	40.37	40.37	40.37	40.37	40.37	40.37	40.37	40.37
G113.0	43.21	43.21	43.21	43.21	43.21	43.21	43.21	43.21	43.21	43.21	43.21	43.21	43.21
G114.0	46.02	46.02	46.02	46.02	46.02	46.02	46.02	46.02	46.02	46.02	46.02	46.02	46.02
G115.0	48.98	48.98	48.98	48.98	48.98	48.98	48.98	48.98	48.98	48.98	48.98	48.98	48.98
G116.0	51.89	51.89	51.89	51.89	51.89	51.89	51.89	51.89	51.89	51.89	51.89	51.89	51.89
G117.0	54.78	54.78	54.78	54.78	54.78	54.78	54.78	54.78	54.78	54.78	54.78	54.78	54.78
G118.0	57.82	57.82	57.82	57.82	57.82	57.82	57.82	57.82	57.82	57.82	57.82	57.82	57.82
G119.0	60.77	60.77	60.77	60.77	60.77	60.77	60.77	60.77	60.77	60.77	60.77	60.77	60.77
G120.0	63.76	63.76	63.76	63.76	63.76	63.76	63.76	63.76	63.76	63.76	63.76	63.76	63.76
G121.0	66.81	66.81	66.81	66.81	66.81	66.81	66.81	66.81	66.81	66.81	66.81	66.81	66.81
G122.0	69.84	69.84	69.84	69.84	69.84	69.84	69.84	69.84	69.84	69.84	69.84	69.84	69.84
G123.0	72.87	72.87	72.87	72.87	72.87	72.87	72.87	72.87	72.87	72.87	72.87	72.87	72.87
G124.0	76.02	76.02	76.02	76.02	76.02	76.02	76.02	76.02	76.02	76.02	76.02	76.02	76.02
G125.0	79.16	79.16	79.16	79.16	79.16	79.16	79.16	79.16	79.16	79.16	79.16	79.16	79.16
G126.0	82.28	82.28	82.28	82.28	82.28	82.28	82.28	82.28	82.28	82.28	82.28	82.28	82.28
G127.0	85.54	85.54	85.54	85.54	85.54	85.54	85.54	85.54	85.54	85.54	85.54	85.54	85.54
G128.0	88.72	88.72	88.72	88.72	88.72	88.72	88.72	88.72	88.72	88.72	88.72	88.72	88.72
G129.0	91.99	91.99	91.99	91.99	91.99	91.99	91.99	91.99	91.99	91.99	91.99	91.99	91.99
G130.0	95.33	95.33	95.33	95.33	95.33	95.33	95.33	95.33	95.33	95.33	95.33	95.33	95.33
G131.0	98.63	98.63	98.63	98.63	98.63	98.63	98.63	98.63	98.63	98.63	98.63	98.63	98.63
G132.0	102.02	102.02	102.02	102.02	102.02	102.02	102.02	102.02	102.02	102.02	102.02	102.02	102.02
G133.0	105.48	105.48	105.48	105.48	105.48	105.48	105.48	105.48	105.48	105.48	105.48	105.48	105.48
G134.0	108.90	108.90	108.90	108.90	108.90	108.90	108.90	108.90	108.90	108.90	108.90	108.90	108.90
G135.0	112.39	112.39	112.39	112.39	112.39	112.39	112.39	112.39	112.39	112.39	112.39	112.39	112.39
G136.0	116.00	116.00	116.00	116.00	116.00	116.00	116.00	116.00	116.00	116.00	116.00	116.00	116.00
G137.0	119.51	119.51	119.51	119.51	119.51	119.51	119.51	119.51	119.51	119.51	119.51	119.51	119.51
G138.0	123.17	123.17	123.17	123.17	123.17	123.17	123.17	123.17	123.17	123.17	123.17	123.17	123.17
G139.0	126.88	126.88	126.88	126.88	126.88	126.88	126.88	126.88	126.88	126.88	126.88	126.88	126.88
G140.0	130.57	130.57	130.57	130.57	130.57	130.57	130.57	130.57	130.57	130.57	130.57	130.57	130.57
G141.0	134.32	134.32	134.32	134.32	134.32	134.32	134.32	134.32	134.32	134.32	134.32	134.32	134.32
G142.0	138.16	138.16	138.16	138.16	138.16	138.16	138.16	138.16	138.16	138.16	138.16	138.16	138.16
G143.0	141.95	141.95	141.95	141.95	141.95	141.95	141.95	141.95	141.95	141.95	141.95	141.95	141.95
G144.0	145.83	145.83	145.83	145.83	145.83	145.83	145.83	145.83	145.83	145.83	145.83	145.83	145.83
G145.0	149.77	149.77	149.77	149.77	149.77	149.77	149.77	149.77	149.77	149.77	149.77	149.77	149.77



Luminaire

Code PX-0124-NEG(1)
Name JUMBO

Measurerm.

Code PX-0124-NEG
Name JUMBO

Luminaire Flux	95.62 lm	Luminaire Power	3.20 W	Efficacy	29.88 lm/W	Efficiency	100.00%
Sources Flux	95.62 lm	Maximum value	249.34 cd/klm	Position	C=0.00 G=0.00	CG	Asymmetrical

Luminous Intensity Table cd/klm Table 8/18

	C 65.00	C 70.00	C 75.00	C 80.00	C 85.00	C 90.00	C 95.00	C 100.00	C 105.00	C 110.00	C 115.00	C 120.00	C 125.00
G 73.0	26.71	26.71	26.71	26.71	26.71	26.71	26.71	26.71	26.71	26.71	26.71	26.71	26.71
G 74.0	24.07	24.07	24.07	24.07	24.07	24.07	24.07	24.07	24.07	24.07	24.07	24.07	24.07
G 75.0	21.53	21.53	21.53	21.53	21.53	21.53	21.53	21.53	21.53	21.53	21.53	21.53	21.53
G 76.0	19.11	19.11	19.11	19.11	19.11	19.11	19.11	19.11	19.11	19.11	19.11	19.11	19.11
G 77.0	16.66	16.66	16.66	16.66	16.66	16.66	16.66	16.66	16.66	16.66	16.66	16.66	16.66
G 78.0	14.34	14.34	14.34	14.34	14.34	14.34	14.34	14.34	14.34	14.34	14.34	14.34	14.34
G 79.0	12.20	12.20	12.20	12.20	12.20	12.20	12.20	12.20	12.20	12.20	12.20	12.20	12.20
G 80.0	10.10	10.10	10.10	10.10	10.10	10.10	10.10	10.10	10.10	10.10	10.10	10.10	10.10
G 81.0	8.19	8.19	8.19	8.19	8.19	8.19	8.19	8.19	8.19	8.19	8.19	8.19	8.19
G 82.0	6.49	6.49	6.49	6.49	6.49	6.49	6.49	6.49	6.49	6.49	6.49	6.49	6.49
G 83.0	4.96	4.96	4.96	4.96	4.96	4.96	4.96	4.96	4.96	4.96	4.96	4.96	4.96
G 84.0	3.60	3.60	3.60	3.60	3.60	3.60	3.60	3.60	3.60	3.60	3.60	3.60	3.60
G 85.0	2.51	2.51	2.51	2.51	2.51	2.51	2.51	2.51	2.51	2.51	2.51	2.51	2.51
G 86.0	1.56	1.56	1.56	1.56	1.56	1.56	1.56	1.56	1.56	1.56	1.56	1.56	1.56
G 87.0	0.91	0.91	0.91	0.91	0.91	0.91	0.91	0.91	0.91	0.91	0.91	0.91	0.91
G 88.0	0.50	0.50	0.50	0.50	0.50	0.50	0.50	0.50	0.50	0.50	0.50	0.50	0.50
G 89.0	0.28	0.28	0.28	0.28	0.28	0.28	0.28	0.28	0.28	0.28	0.28	0.28	0.28
G 90.0	0.33	0.33	0.33	0.33	0.33	0.33	0.33	0.33	0.33	0.33	0.33	0.33	0.33
G 91.0	0.28	0.28	0.28	0.28	0.28	0.28	0.28	0.28	0.28	0.28	0.28	0.28	0.28
G 92.0	0.50	0.50	0.50	0.50	0.50	0.50	0.50	0.50	0.50	0.50	0.50	0.50	0.50
G 93.0	0.91	0.91	0.91	0.91	0.91	0.91	0.91	0.91	0.91	0.91	0.91	0.91	0.91
G 94.0	1.56	1.56	1.56	1.56	1.56	1.56	1.56	1.56	1.56	1.56	1.56	1.56	1.56
G 95.0	2.51	2.51	2.51	2.51	2.51	2.51	2.51	2.51	2.51	2.51	2.51	2.51	2.51
G 96.0	3.60	3.60	3.60	3.60	3.60	3.60	3.60	3.60	3.60	3.60	3.60	3.60	3.60
G 97.0	4.96	4.96	4.96	4.96	4.96	4.96	4.96	4.96	4.96	4.96	4.96	4.96	4.96
G 98.0	6.49	6.49	6.49	6.49	6.49	6.49	6.49	6.49	6.49	6.49	6.49	6.49	6.49
G 99.0	8.19	8.19	8.19	8.19	8.19	8.19	8.19	8.19	8.19	8.19	8.19	8.19	8.19
G100.0	10.10	10.10	10.10	10.10	10.10	10.10	10.10	10.10	10.10	10.10	10.10	10.10	10.10
G101.0	12.20	12.20	12.20	12.20	12.20	12.20	12.20	12.20	12.20	12.20	12.20	12.20	12.20
G102.0	14.34	14.34	14.34	14.34	14.34	14.34	14.34	14.34	14.34	14.34	14.34	14.34	14.34
G103.0	16.66	16.66	16.66	16.66	16.66	16.66	16.66	16.66	16.66	16.66	16.66	16.66	16.66
G104.0	19.11	19.11	19.11	19.11	19.11	19.11	19.11	19.11	19.11	19.11	19.11	19.11	19.11
G105.0	21.53	21.53	21.53	21.53	21.53	21.53	21.53	21.53	21.53	21.53	21.53	21.53	21.53
G106.0	24.07	24.07	24.07	24.07	24.07	24.07	24.07	24.07	24.07	24.07	24.07	24.07	24.07
G107.0	26.71	26.71	26.71	26.71	26.71	26.71	26.71	26.71	26.71	26.71	26.71	26.71	26.71
G108.0	29.29	29.29	29.29	29.29	29.29	29.29	29.29	29.29	29.29	29.29	29.29	29.29	29.29
G109.0	32.05	32.05	32.05	32.05	32.05	32.05	32.05	32.05	32.05	32.05	32.05	32.05	32.05
G110.0	34.77	34.77	34.77	34.77	34.77	34.77	34.77	34.77	34.77	34.77	34.77	34.77	34.77
G111.0	37.53	37.53	37.53	37.53	37.53	37.53	37.53	37.53	37.53	37.53	37.53	37.53	37.53
G112.0	40.37	40.37	40.37	40.37	40.37	40.37	40.37	40.37	40.37	40.37	40.37	40.37	40.37
G113.0	43.21	43.21	43.21	43.21	43.21	43.21	43.21	43.21	43.21	43.21	43.21	43.21	43.21
G114.0	46.02	46.02	46.02	46.02	46.02	46.02	46.02	46.02	46.02	46.02	46.02	46.02	46.02
G115.0	48.98	48.98	48.98	48.98	48.98	48.98	48.98	48.98	48.98	48.98	48.98	48.98	48.98
G116.0	51.89	51.89	51.89	51.89	51.89	51.89	51.89	51.89	51.89	51.89	51.89	51.89	51.89
G117.0	54.78	54.78	54.78	54.78	54.78	54.78	54.78	54.78	54.78	54.78	54.78	54.78	54.78
G118.0	57.82	57.82	57.82	57.82	57.82	57.82	57.82	57.82	57.82	57.82	57.82	57.82	57.82
G119.0	60.77	60.77	60.77	60.77	60.77	60.77	60.77	60.77	60.77	60.77	60.77	60.77	60.77
G120.0	63.76	63.76	63.76	63.76	63.76	63.76	63.76	63.76	63.76	63.76	63.76	63.76	63.76
G121.0	66.81	66.81	66.81	66.81	66.81	66.81	66.81	66.81	66.81	66.81	66.81	66.81	66.81
G122.0	69.84	69.84	69.84	69.84	69.84	69.84	69.84	69.84	69.84	69.84	69.84	69.84	69.84
G123.0	72.87	72.87	72.87	72.87	72.87	72.87	72.87	72.87	72.87	72.87	72.87	72.87	72.87
G124.0	76.02	76.02	76.02	76.02	76.02	76.02	76.02	76.02	76.02	76.02	76.02	76.02	76.02
G125.0	79.16	79.16	79.16	79.16	79.16	79.16	79.16	79.16	79.16	79.16	79.16	79.16	79.16
G126.0	82.28	82.28	82.28	82.28	82.28	82.28	82.28	82.28	82.28	82.28	82.28	82.28	82.28
G127.0	85.54	85.54	85.54	85.54	85.54	85.54	85.54	85.54	85.54	85.54	85.54	85.54	85.54
G128.0	88.72	88.72	88.72	88.72	88.72	88.72	88.72	88.72	88.72	88.72	88.72	88.72	88.72
G129.0	91.99	91.99	91.99	91.99	91.99	91.99	91.99	91.99	91.99	91.99	91.99	91.99	91.99
G130.0	95.33	95.33	95.33	95.33	95.33	95.33	95.33	95.33	95.33	95.33	95.33	95.33	95.33
G131.0	98.63	98.63	98.63	98.63	98.63	98.63	98.63	98.63	98.63	98.63	98.63	98.63	98.63
G132.0	102.02	102.02	102.02	102.02	102.02	102.02	102.02	102.02	102.02	102.02	102.02	102.02	102.02
G133.0	105.48	105.48	105.48	105.48	105.48	105.48	105.48	105.48	105.48	105.48	105.48	105.48	105.48
G134.0	108.90	108.90	108.90	108.90	108.90	108.90	108.90	108.90	108.90	108.90	108.90	108.90	108.90
G135.0	112.39	112.39	112.39	112.39	112.39	112.39	112.39	112.39	112.39	112.39	112.39	112.39	112.39
G136.0	116.00	116.00	116.00	116.00	116.00	116.00	116.00	116.00	116.00	116.00	116.00	116.00	116.00
G137.0	119.51	119.51	119.51	119.51	119.51	119.51	119.51	119.51	119.51	119.51	119.51	119.51	119.51
G138.0	123.17	123.17	123.17	123.17	123.17	123.17	123.17	123.17	123.17	123.17	123.17	123.17	123.17
G139.0	126.88	126.88	126.88	126.88	126.88	126.88	126.88	126.88	126.88	126.88	126.88	126.88	126.88
G140.0	130.57	130.57	130.57	130.57	130.57	130.57	130.57	130.57	130.57	130.57	130.57	130.57	130.57
G141.0	134.32	134.32	134.32	134.32	134.32	134.32	134.32	134.32	134.32	134.32	134.32	134.32	134.32
G142.0	138.16	138.16	138.16	138.16	138.16	138.16	138.16	138.16	138.16	138.16	138.16	138.16	138.16
G143.0	141.95	141.95	141.95	141.95	141.95	141.95	141.95	141.95	141.95	141.95	141.95	141.95	141.95
G144.0	145.83	145.83	145.83	145.83	145.83	145.83	145.83	145.83	145.83	145.83	145.83	145.83	145.83
G145.0	149.77	149.77	149.77	149.77	149.77	149.77	149.77	149.77	149.77	149.77	149.77	149.77	149.77



Luminaire
 Code PX-0124-NEG(1)
 Name JUMBO
Measurerm.
 Code PX-0124-NEG
 Name JUMBO

Luminaire Flux	95.62 lm	Luminaire Power	3.20 W	Efficacy	29.88 lm/W	Efficiency	100.00%
Sources Flux	95.62 lm	Maximum value	249.34 cd/klm	Position	C=0.00 G=0.00	CG	Asymmetrical

Luminous Intensity Table cd/klm Table 9/18

	C 130.00	C 135.00	C 140.00	C 145.00	C 150.00	C 155.00	C 160.00	C 165.00	C 170.00	C 175.00	C 180.00	C 185.00	C 190.00
G 73.0	26.71	26.71	26.71	26.71	26.71	26.71	26.71	26.71	26.71	26.71	26.71	26.71	26.71
G 74.0	24.07	24.07	24.07	24.07	24.07	24.07	24.07	24.07	24.07	24.07	24.07	24.07	24.07
G 75.0	21.53	21.53	21.53	21.53	21.53	21.53	21.53	21.53	21.53	21.53	21.53	21.53	21.53
G 76.0	19.11	19.11	19.11	19.11	19.11	19.11	19.11	19.11	19.11	19.11	19.11	19.11	19.11
G 77.0	16.66	16.66	16.66	16.66	16.66	16.66	16.66	16.66	16.66	16.66	16.66	16.66	16.66
G 78.0	14.34	14.34	14.34	14.34	14.34	14.34	14.34	14.34	14.34	14.34	14.34	14.34	14.34
G 79.0	12.20	12.20	12.20	12.20	12.20	12.20	12.20	12.20	12.20	12.20	12.20	12.20	12.20
G 80.0	10.10	10.10	10.10	10.10	10.10	10.10	10.10	10.10	10.10	10.10	10.10	10.10	10.10
G 81.0	8.19	8.19	8.19	8.19	8.19	8.19	8.19	8.19	8.19	8.19	8.19	8.19	8.19
G 82.0	6.49	6.49	6.49	6.49	6.49	6.49	6.49	6.49	6.49	6.49	6.49	6.49	6.49
G 83.0	4.96	4.96	4.96	4.96	4.96	4.96	4.96	4.96	4.96	4.96	4.96	4.96	4.96
G 84.0	3.60	3.60	3.60	3.60	3.60	3.60	3.60	3.60	3.60	3.60	3.60	3.60	3.60
G 85.0	2.51	2.51	2.51	2.51	2.51	2.51	2.51	2.51	2.51	2.51	2.51	2.51	2.51
G 86.0	1.56	1.56	1.56	1.56	1.56	1.56	1.56	1.56	1.56	1.56	1.56	1.56	1.56
G 87.0	0.91	0.91	0.91	0.91	0.91	0.91	0.91	0.91	0.91	0.91	0.91	0.91	0.91
G 88.0	0.50	0.50	0.50	0.50	0.50	0.50	0.50	0.50	0.50	0.50	0.50	0.50	0.50
G 89.0	0.28	0.28	0.28	0.28	0.28	0.28	0.28	0.28	0.28	0.28	0.28	0.28	0.28
G 90.0	0.33	0.33	0.33	0.33	0.33	0.33	0.33	0.33	0.33	0.33	0.33	0.33	0.33
G 91.0	0.28	0.28	0.28	0.28	0.28	0.28	0.28	0.28	0.28	0.28	0.28	0.28	0.28
G 92.0	0.50	0.50	0.50	0.50	0.50	0.50	0.50	0.50	0.50	0.50	0.50	0.50	0.50
G 93.0	0.91	0.91	0.91	0.91	0.91	0.91	0.91	0.91	0.91	0.91	0.91	0.91	0.91
G 94.0	1.56	1.56	1.56	1.56	1.56	1.56	1.56	1.56	1.56	1.56	1.56	1.56	1.56
G 95.0	2.51	2.51	2.51	2.51	2.51	2.51	2.51	2.51	2.51	2.51	2.51	2.51	2.51
G 96.0	3.60	3.60	3.60	3.60	3.60	3.60	3.60	3.60	3.60	3.60	3.60	3.60	3.60
G 97.0	4.96	4.96	4.96	4.96	4.96	4.96	4.96	4.96	4.96	4.96	4.96	4.96	4.96
G 98.0	6.49	6.49	6.49	6.49	6.49	6.49	6.49	6.49	6.49	6.49	6.49	6.49	6.49
G 99.0	8.19	8.19	8.19	8.19	8.19	8.19	8.19	8.19	8.19	8.19	8.19	8.19	8.19
G100.0	10.10	10.10	10.10	10.10	10.10	10.10	10.10	10.10	10.10	10.10	10.10	10.10	10.10
G101.0	12.20	12.20	12.20	12.20	12.20	12.20	12.20	12.20	12.20	12.20	12.20	12.20	12.20
G102.0	14.34	14.34	14.34	14.34	14.34	14.34	14.34	14.34	14.34	14.34	14.34	14.34	14.34
G103.0	16.66	16.66	16.66	16.66	16.66	16.66	16.66	16.66	16.66	16.66	16.66	16.66	16.66
G104.0	19.11	19.11	19.11	19.11	19.11	19.11	19.11	19.11	19.11	19.11	19.11	19.11	19.11
G105.0	21.53	21.53	21.53	21.53	21.53	21.53	21.53	21.53	21.53	21.53	21.53	21.53	21.53
G106.0	24.07	24.07	24.07	24.07	24.07	24.07	24.07	24.07	24.07	24.07	24.07	24.07	24.07
G107.0	26.71	26.71	26.71	26.71	26.71	26.71	26.71	26.71	26.71	26.71	26.71	26.71	26.71
G108.0	29.29	29.29	29.29	29.29	29.29	29.29	29.29	29.29	29.29	29.29	29.29	29.29	29.29
G109.0	32.05	32.05	32.05	32.05	32.05	32.05	32.05	32.05	32.05	32.05	32.05	32.05	32.05
G110.0	34.77	34.77	34.77	34.77	34.77	34.77	34.77	34.77	34.77	34.77	34.77	34.77	34.77
G111.0	37.53	37.53	37.53	37.53	37.53	37.53	37.53	37.53	37.53	37.53	37.53	37.53	37.53
G112.0	40.37	40.37	40.37	40.37	40.37	40.37	40.37	40.37	40.37	40.37	40.37	40.37	40.37
G113.0	43.21	43.21	43.21	43.21	43.21	43.21	43.21	43.21	43.21	43.21	43.21	43.21	43.21
G114.0	46.02	46.02	46.02	46.02	46.02	46.02	46.02	46.02	46.02	46.02	46.02	46.02	46.02
G115.0	48.98	48.98	48.98	48.98	48.98	48.98	48.98	48.98	48.98	48.98	48.98	48.98	48.98
G116.0	51.89	51.89	51.89	51.89	51.89	51.89	51.89	51.89	51.89	51.89	51.89	51.89	51.89
G117.0	54.78	54.78	54.78	54.78	54.78	54.78	54.78	54.78	54.78	54.78	54.78	54.78	54.78
G118.0	57.82	57.82	57.82	57.82	57.82	57.82	57.82	57.82	57.82	57.82	57.82	57.82	57.82
G119.0	60.77	60.77	60.77	60.77	60.77	60.77	60.77	60.77	60.77	60.77	60.77	60.77	60.77
G120.0	63.76	63.76	63.76	63.76	63.76	63.76	63.76	63.76	63.76	63.76	63.76	63.76	63.76
G121.0	66.81	66.81	66.81	66.81	66.81	66.81	66.81	66.81	66.81	66.81	66.81	66.81	66.81
G122.0	69.84	69.84	69.84	69.84	69.84	69.84	69.84	69.84	69.84	69.84	69.84	69.84	69.84
G123.0	72.87	72.87	72.87	72.87	72.87	72.87	72.87	72.87	72.87	72.87	72.87	72.87	72.87
G124.0	76.02	76.02	76.02	76.02	76.02	76.02	76.02	76.02	76.02	76.02	76.02	76.02	76.02
G125.0	79.16	79.16	79.16	79.16	79.16	79.16	79.16	79.16	79.16	79.16	79.16	79.16	79.16
G126.0	82.28	82.28	82.28	82.28	82.28	82.28	82.28	82.28	82.28	82.28	82.28	82.28	82.28
G127.0	85.54	85.54	85.54	85.54	85.54	85.54	85.54	85.54	85.54	85.54	85.54	85.54	85.54
G128.0	88.72	88.72	88.72	88.72	88.72	88.72	88.72	88.72	88.72	88.72	88.72	88.72	88.72
G129.0	91.99	91.99	91.99	91.99	91.99	91.99	91.99	91.99	91.99	91.99	91.99	91.99	91.99
G130.0	95.33	95.33	95.33	95.33	95.33	95.33	95.33	95.33	95.33	95.33	95.33	95.33	95.33
G131.0	98.63	98.63	98.63	98.63	98.63	98.63	98.63	98.63	98.63	98.63	98.63	98.63	98.63
G132.0	102.02	102.02	102.02	102.02	102.02	102.02	102.02	102.02	102.02	102.02	102.02	102.02	102.02
G133.0	105.48	105.48	105.48	105.48	105.48	105.48	105.48	105.48	105.48	105.48	105.48	105.48	105.48
G134.0	108.90	108.90	108.90	108.90	108.90	108.90	108.90	108.90	108.90	108.90	108.90	108.90	108.90
G135.0	112.39	112.39	112.39	112.39	112.39	112.39	112.39	112.39	112.39	112.39	112.39	112.39	112.39
G136.0	116.00	116.00	116.00	116.00	116.00	116.00	116.00	116.00	116.00	116.00	116.00	116.00	116.00
G137.0	119.51	119.51	119.51	119.51	119.51	119.51	119.51	119.51	119.51	119.51	119.51	119.51	119.51
G138.0	123.17	123.17	123.17	123.17	123.17	123.17	123.17	123.17	123.17	123.17	123.17	123.17	123.17
G139.0	126.88	126.88	126.88	126.88	126.88	126.88	126.88	126.88	126.88	126.88	126.88	126.88	126.88
G140.0	130.57	130.57	130.57	130.57	130.57	130.57	130.57	130.57	130.57	130.57	130.57	130.57	130.57
G141.0	134.32	134.32	134.32	134.32	134.32	134.32	134.32	134.32	134.32	134.32	134.32	134.32	134.32
G142.0	138.16	138.16	138.16	138.16	138.16	138.16	138.16	138.16	138.16	138.16	138.16	138.16	138.16
G143.0	141.95	141.95	141.95	141.95	141.95	141.95	141.95	141.95	141.95	141.95	141.95	141.95	141.95
G144.0	145.83	145.83	145.83	145.83	145.83	145.83	145.83	145.83	145.83	145.83	145.83	145.83	145.83
G145.0	149.77	149.77	149.77	149.77	149.77	149.77	149.77	149.77	149.77	149.77	149.77	149.77	149.77



Luminaire

Code PX-0124-NEG(1)
Name JUMBO

Measurerm.

Code PX-0124-NEG
Name JUMBO

Luminaire Flux	95.62 lm	Luminaire Power	3.20 W	Efficacy	29.88 lm/W	Efficiency	100.00%
Sources Flux	95.62 lm	Maximum value	249.34 cd/klm	Position	C=0.00 G=0.00	CG	Asymmetrical

Luminous Intensity Table cd/klm Table 10/18

	C 195.00	C 200.00	C 205.00	C 210.00	C 215.00	C 220.00	C 225.00	C 230.00	C 235.00	C 240.00	C 245.00	C 250.00	C 255.00
G 73.0	26.71	26.71	26.71	26.71	26.71	26.71	26.71	26.71	26.71	26.71	26.71	26.71	26.71
G 74.0	24.07	24.07	24.07	24.07	24.07	24.07	24.07	24.07	24.07	24.07	24.07	24.07	24.07
G 75.0	21.53	21.53	21.53	21.53	21.53	21.53	21.53	21.53	21.53	21.53	21.53	21.53	21.53
G 76.0	19.11	19.11	19.11	19.11	19.11	19.11	19.11	19.11	19.11	19.11	19.11	19.11	19.11
G 77.0	16.66	16.66	16.66	16.66	16.66	16.66	16.66	16.66	16.66	16.66	16.66	16.66	16.66
G 78.0	14.34	14.34	14.34	14.34	14.34	14.34	14.34	14.34	14.34	14.34	14.34	14.34	14.34
G 79.0	12.20	12.20	12.20	12.20	12.20	12.20	12.20	12.20	12.20	12.20	12.20	12.20	12.20
G 80.0	10.10	10.10	10.10	10.10	10.10	10.10	10.10	10.10	10.10	10.10	10.10	10.10	10.10
G 81.0	8.19	8.19	8.19	8.19	8.19	8.19	8.19	8.19	8.19	8.19	8.19	8.19	8.19
G 82.0	6.49	6.49	6.49	6.49	6.49	6.49	6.49	6.49	6.49	6.49	6.49	6.49	6.49
G 83.0	4.96	4.96	4.96	4.96	4.96	4.96	4.96	4.96	4.96	4.96	4.96	4.96	4.96
G 84.0	3.60	3.60	3.60	3.60	3.60	3.60	3.60	3.60	3.60	3.60	3.60	3.60	3.60
G 85.0	2.51	2.51	2.51	2.51	2.51	2.51	2.51	2.51	2.51	2.51	2.51	2.51	2.51
G 86.0	1.56	1.56	1.56	1.56	1.56	1.56	1.56	1.56	1.56	1.56	1.56	1.56	1.56
G 87.0	0.91	0.91	0.91	0.91	0.91	0.91	0.91	0.91	0.91	0.91	0.91	0.91	0.91
G 88.0	0.50	0.50	0.50	0.50	0.50	0.50	0.50	0.50	0.50	0.50	0.50	0.50	0.50
G 89.0	0.28	0.28	0.28	0.28	0.28	0.28	0.28	0.28	0.28	0.28	0.28	0.28	0.28
G 90.0	0.33	0.33	0.33	0.33	0.33	0.33	0.33	0.33	0.33	0.33	0.33	0.33	0.33
G 91.0	0.28	0.28	0.28	0.28	0.28	0.28	0.28	0.28	0.28	0.28	0.28	0.28	0.28
G 92.0	0.50	0.50	0.50	0.50	0.50	0.50	0.50	0.50	0.50	0.50	0.50	0.50	0.50
G 93.0	0.91	0.91	0.91	0.91	0.91	0.91	0.91	0.91	0.91	0.91	0.91	0.91	0.91
G 94.0	1.56	1.56	1.56	1.56	1.56	1.56	1.56	1.56	1.56	1.56	1.56	1.56	1.56
G 95.0	2.51	2.51	2.51	2.51	2.51	2.51	2.51	2.51	2.51	2.51	2.51	2.51	2.51
G 96.0	3.60	3.60	3.60	3.60	3.60	3.60	3.60	3.60	3.60	3.60	3.60	3.60	3.60
G 97.0	4.96	4.96	4.96	4.96	4.96	4.96	4.96	4.96	4.96	4.96	4.96	4.96	4.96
G 98.0	6.49	6.49	6.49	6.49	6.49	6.49	6.49	6.49	6.49	6.49	6.49	6.49	6.49
G 99.0	8.19	8.19	8.19	8.19	8.19	8.19	8.19	8.19	8.19	8.19	8.19	8.19	8.19
G100.0	10.10	10.10	10.10	10.10	10.10	10.10	10.10	10.10	10.10	10.10	10.10	10.10	10.10
G101.0	12.20	12.20	12.20	12.20	12.20	12.20	12.20	12.20	12.20	12.20	12.20	12.20	12.20
G102.0	14.34	14.34	14.34	14.34	14.34	14.34	14.34	14.34	14.34	14.34	14.34	14.34	14.34
G103.0	16.66	16.66	16.66	16.66	16.66	16.66	16.66	16.66	16.66	16.66	16.66	16.66	16.66
G104.0	19.11	19.11	19.11	19.11	19.11	19.11	19.11	19.11	19.11	19.11	19.11	19.11	19.11
G105.0	21.53	21.53	21.53	21.53	21.53	21.53	21.53	21.53	21.53	21.53	21.53	21.53	21.53
G106.0	24.07	24.07	24.07	24.07	24.07	24.07	24.07	24.07	24.07	24.07	24.07	24.07	24.07
G107.0	26.71	26.71	26.71	26.71	26.71	26.71	26.71	26.71	26.71	26.71	26.71	26.71	26.71
G108.0	29.29	29.29	29.29	29.29	29.29	29.29	29.29	29.29	29.29	29.29	29.29	29.29	29.29
G109.0	32.05	32.05	32.05	32.05	32.05	32.05	32.05	32.05	32.05	32.05	32.05	32.05	32.05
G110.0	34.77	34.77	34.77	34.77	34.77	34.77	34.77	34.77	34.77	34.77	34.77	34.77	34.77
G111.0	37.53	37.53	37.53	37.53	37.53	37.53	37.53	37.53	37.53	37.53	37.53	37.53	37.53
G112.0	40.37	40.37	40.37	40.37	40.37	40.37	40.37	40.37	40.37	40.37	40.37	40.37	40.37
G113.0	43.21	43.21	43.21	43.21	43.21	43.21	43.21	43.21	43.21	43.21	43.21	43.21	43.21
G114.0	46.02	46.02	46.02	46.02	46.02	46.02	46.02	46.02	46.02	46.02	46.02	46.02	46.02
G115.0	48.98	48.98	48.98	48.98	48.98	48.98	48.98	48.98	48.98	48.98	48.98	48.98	48.98
G116.0	51.89	51.89	51.89	51.89	51.89	51.89	51.89	51.89	51.89	51.89	51.89	51.89	51.89
G117.0	54.78	54.78	54.78	54.78	54.78	54.78	54.78	54.78	54.78	54.78	54.78	54.78	54.78
G118.0	57.82	57.82	57.82	57.82	57.82	57.82	57.82	57.82	57.82	57.82	57.82	57.82	57.82
G119.0	60.77	60.77	60.77	60.77	60.77	60.77	60.77	60.77	60.77	60.77	60.77	60.77	60.77
G120.0	63.76	63.76	63.76	63.76	63.76	63.76	63.76	63.76	63.76	63.76	63.76	63.76	63.76
G121.0	66.81	66.81	66.81	66.81	66.81	66.81	66.81	66.81	66.81	66.81	66.81	66.81	66.81
G122.0	69.84	69.84	69.84	69.84	69.84	69.84	69.84	69.84	69.84	69.84	69.84	69.84	69.84
G123.0	72.87	72.87	72.87	72.87	72.87	72.87	72.87	72.87	72.87	72.87	72.87	72.87	72.87
G124.0	76.02	76.02	76.02	76.02	76.02	76.02	76.02	76.02	76.02	76.02	76.02	76.02	76.02
G125.0	79.16	79.16	79.16	79.16	79.16	79.16	79.16	79.16	79.16	79.16	79.16	79.16	79.16
G126.0	82.28	82.28	82.28	82.28	82.28	82.28	82.28	82.28	82.28	82.28	82.28	82.28	82.28
G127.0	85.54	85.54	85.54	85.54	85.54	85.54	85.54	85.54	85.54	85.54	85.54	85.54	85.54
G128.0	88.72	88.72	88.72	88.72	88.72	88.72	88.72	88.72	88.72	88.72	88.72	88.72	88.72
G129.0	91.99	91.99	91.99	91.99	91.99	91.99	91.99	91.99	91.99	91.99	91.99	91.99	91.99
G130.0	95.33	95.33	95.33	95.33	95.33	95.33	95.33	95.33	95.33	95.33	95.33	95.33	95.33
G131.0	98.63	98.63	98.63	98.63	98.63	98.63	98.63	98.63	98.63	98.63	98.63	98.63	98.63
G132.0	102.02	102.02	102.02	102.02	102.02	102.02	102.02	102.02	102.02	102.02	102.02	102.02	102.02
G133.0	105.48	105.48	105.48	105.48	105.48	105.48	105.48	105.48	105.48	105.48	105.48	105.48	105.48
G134.0	108.90	108.90	108.90	108.90	108.90	108.90	108.90	108.90	108.90	108.90	108.90	108.90	108.90
G135.0	112.39	112.39	112.39	112.39	112.39	112.39	112.39	112.39	112.39	112.39	112.39	112.39	112.39
G136.0	116.00	116.00	116.00	116.00	116.00	116.00	116.00	116.00	116.00	116.00	116.00	116.00	116.00
G137.0	119.51	119.51	119.51	119.51	119.51	119.51	119.51	119.51	119.51	119.51	119.51	119.51	119.51
G138.0	123.17	123.17	123.17	123.17	123.17	123.17	123.17	123.17	123.17	123.17	123.17	123.17	123.17
G139.0	126.88	126.88	126.88	126.88	126.88	126.88	126.88	126.88	126.88	126.88	126.88	126.88	126.88
G140.0	130.57	130.57	130.57	130.57	130.57	130.57	130.57	130.57	130.57	130.57	130.57	130.57	130.57
G141.0	134.32	134.32	134.32	134.32	134.32	134.32	134.32	134.32	134.32	134.32	134.32	134.32	134.32
G142.0	138.16	138.16	138.16	138.16	138.16	138.16	138.16	138.16	138.16	138.16	138.16	138.16	138.16
G143.0	141.95	141.95	141.95	141.95	141.95	141.95	141.95	141.95	141.95	141.95	141.95	141.95	141.95
G144.0	145.83	145.83	145.83	145.83	145.83	145.83	145.83	145.83	145.83	145.83	145.83	145.83	145.83
G145.0	149.77	149.77	149.77	149.77	149.77	149.77	149.77	149.77	149.77	149.77	149.77	149.77	149.77



Luminaire

Code PX-0124-NEG(1)
Name JUMBO

Measurerm.

Code PX-0124-NEG
Name JUMBO

Luminaire Flux	95.62 lm	Luminaire Power	3.20 W	Efficacy	29.88 lm/W	Efficiency	100.00%
Sources Flux	95.62 lm	Maximum value	249.34 cd/klm	Position	C=0.00 G=0.00	CG	Asymmetrical

Luminous Intensity Table cd/klm Table 11/18

	C 260.00	C 265.00	C 270.00	C 275.00	C 280.00	C 285.00	C 290.00	C 295.00	C 300.00	C 305.00	C 310.00	C 315.00	C 320.00
G 73.0	26.71	26.71	26.71	26.71	26.71	26.71	26.71	26.71	26.71	26.71	26.71	26.71	26.71
G 74.0	24.07	24.07	24.07	24.07	24.07	24.07	24.07	24.07	24.07	24.07	24.07	24.07	24.07
G 75.0	21.53	21.53	21.53	21.53	21.53	21.53	21.53	21.53	21.53	21.53	21.53	21.53	21.53
G 76.0	19.11	19.11	19.11	19.11	19.11	19.11	19.11	19.11	19.11	19.11	19.11	19.11	19.11
G 77.0	16.66	16.66	16.66	16.66	16.66	16.66	16.66	16.66	16.66	16.66	16.66	16.66	16.66
G 78.0	14.34	14.34	14.34	14.34	14.34	14.34	14.34	14.34	14.34	14.34	14.34	14.34	14.34
G 79.0	12.20	12.20	12.20	12.20	12.20	12.20	12.20	12.20	12.20	12.20	12.20	12.20	12.20
G 80.0	10.10	10.10	10.10	10.10	10.10	10.10	10.10	10.10	10.10	10.10	10.10	10.10	10.10
G 81.0	8.19	8.19	8.19	8.19	8.19	8.19	8.19	8.19	8.19	8.19	8.19	8.19	8.19
G 82.0	6.49	6.49	6.49	6.49	6.49	6.49	6.49	6.49	6.49	6.49	6.49	6.49	6.49
G 83.0	4.96	4.96	4.96	4.96	4.96	4.96	4.96	4.96	4.96	4.96	4.96	4.96	4.96
G 84.0	3.60	3.60	3.60	3.60	3.60	3.60	3.60	3.60	3.60	3.60	3.60	3.60	3.60
G 85.0	2.51	2.51	2.51	2.51	2.51	2.51	2.51	2.51	2.51	2.51	2.51	2.51	2.51
G 86.0	1.56	1.56	1.56	1.56	1.56	1.56	1.56	1.56	1.56	1.56	1.56	1.56	1.56
G 87.0	0.91	0.91	0.91	0.91	0.91	0.91	0.91	0.91	0.91	0.91	0.91	0.91	0.91
G 88.0	0.50	0.50	0.50	0.50	0.50	0.50	0.50	0.50	0.50	0.50	0.50	0.50	0.50
G 89.0	0.28	0.28	0.28	0.28	0.28	0.28	0.28	0.28	0.28	0.28	0.28	0.28	0.28
G 90.0	0.33	0.33	0.33	0.33	0.33	0.33	0.33	0.33	0.33	0.33	0.33	0.33	0.33
G 91.0	0.28	0.28	0.28	0.28	0.28	0.28	0.28	0.28	0.28	0.28	0.28	0.28	0.28
G 92.0	0.50	0.50	0.50	0.50	0.50	0.50	0.50	0.50	0.50	0.50	0.50	0.50	0.50
G 93.0	0.91	0.91	0.91	0.91	0.91	0.91	0.91	0.91	0.91	0.91	0.91	0.91	0.91
G 94.0	1.56	1.56	1.56	1.56	1.56	1.56	1.56	1.56	1.56	1.56	1.56	1.56	1.56
G 95.0	2.51	2.51	2.51	2.51	2.51	2.51	2.51	2.51	2.51	2.51	2.51	2.51	2.51
G 96.0	3.60	3.60	3.60	3.60	3.60	3.60	3.60	3.60	3.60	3.60	3.60	3.60	3.60
G 97.0	4.96	4.96	4.96	4.96	4.96	4.96	4.96	4.96	4.96	4.96	4.96	4.96	4.96
G 98.0	6.49	6.49	6.49	6.49	6.49	6.49	6.49	6.49	6.49	6.49	6.49	6.49	6.49
G 99.0	8.19	8.19	8.19	8.19	8.19	8.19	8.19	8.19	8.19	8.19	8.19	8.19	8.19
G100.0	10.10	10.10	10.10	10.10	10.10	10.10	10.10	10.10	10.10	10.10	10.10	10.10	10.10
G101.0	12.20	12.20	12.20	12.20	12.20	12.20	12.20	12.20	12.20	12.20	12.20	12.20	12.20
G102.0	14.34	14.34	14.34	14.34	14.34	14.34	14.34	14.34	14.34	14.34	14.34	14.34	14.34
G103.0	16.66	16.66	16.66	16.66	16.66	16.66	16.66	16.66	16.66	16.66	16.66	16.66	16.66
G104.0	19.11	19.11	19.11	19.11	19.11	19.11	19.11	19.11	19.11	19.11	19.11	19.11	19.11
G105.0	21.53	21.53	21.53	21.53	21.53	21.53	21.53	21.53	21.53	21.53	21.53	21.53	21.53
G106.0	24.07	24.07	24.07	24.07	24.07	24.07	24.07	24.07	24.07	24.07	24.07	24.07	24.07
G107.0	26.71	26.71	26.71	26.71	26.71	26.71	26.71	26.71	26.71	26.71	26.71	26.71	26.71
G108.0	29.29	29.29	29.29	29.29	29.29	29.29	29.29	29.29	29.29	29.29	29.29	29.29	29.29
G109.0	32.05	32.05	32.05	32.05	32.05	32.05	32.05	32.05	32.05	32.05	32.05	32.05	32.05
G110.0	34.77	34.77	34.77	34.77	34.77	34.77	34.77	34.77	34.77	34.77	34.77	34.77	34.77
G111.0	37.53	37.53	37.53	37.53	37.53	37.53	37.53	37.53	37.53	37.53	37.53	37.53	37.53
G112.0	40.37	40.37	40.37	40.37	40.37	40.37	40.37	40.37	40.37	40.37	40.37	40.37	40.37
G113.0	43.21	43.21	43.21	43.21	43.21	43.21	43.21	43.21	43.21	43.21	43.21	43.21	43.21
G114.0	46.02	46.02	46.02	46.02	46.02	46.02	46.02	46.02	46.02	46.02	46.02	46.02	46.02
G115.0	48.98	48.98	48.98	48.98	48.98	48.98	48.98	48.98	48.98	48.98	48.98	48.98	48.98
G116.0	51.89	51.89	51.89	51.89	51.89	51.89	51.89	51.89	51.89	51.89	51.89	51.89	51.89
G117.0	54.78	54.78	54.78	54.78	54.78	54.78	54.78	54.78	54.78	54.78	54.78	54.78	54.78
G118.0	57.82	57.82	57.82	57.82	57.82	57.82	57.82	57.82	57.82	57.82	57.82	57.82	57.82
G119.0	60.77	60.77	60.77	60.77	60.77	60.77	60.77	60.77	60.77	60.77	60.77	60.77	60.77
G120.0	63.76	63.76	63.76	63.76	63.76	63.76	63.76	63.76	63.76	63.76	63.76	63.76	63.76
G121.0	66.81	66.81	66.81	66.81	66.81	66.81	66.81	66.81	66.81	66.81	66.81	66.81	66.81
G122.0	69.84	69.84	69.84	69.84	69.84	69.84	69.84	69.84	69.84	69.84	69.84	69.84	69.84
G123.0	72.87	72.87	72.87	72.87	72.87	72.87	72.87	72.87	72.87	72.87	72.87	72.87	72.87
G124.0	76.02	76.02	76.02	76.02	76.02	76.02	76.02	76.02	76.02	76.02	76.02	76.02	76.02
G125.0	79.16	79.16	79.16	79.16	79.16	79.16	79.16	79.16	79.16	79.16	79.16	79.16	79.16
G126.0	82.28	82.28	82.28	82.28	82.28	82.28	82.28	82.28	82.28	82.28	82.28	82.28	82.28
G127.0	85.54	85.54	85.54	85.54	85.54	85.54	85.54	85.54	85.54	85.54	85.54	85.54	85.54
G128.0	88.72	88.72	88.72	88.72	88.72	88.72	88.72	88.72	88.72	88.72	88.72	88.72	88.72
G129.0	91.99	91.99	91.99	91.99	91.99	91.99	91.99	91.99	91.99	91.99	91.99	91.99	91.99
G130.0	95.33	95.33	95.33	95.33	95.33	95.33	95.33	95.33	95.33	95.33	95.33	95.33	95.33
G131.0	98.63	98.63	98.63	98.63	98.63	98.63	98.63	98.63	98.63	98.63	98.63	98.63	98.63
G132.0	102.02	102.02	102.02	102.02	102.02	102.02	102.02	102.02	102.02	102.02	102.02	102.02	102.02
G133.0	105.48	105.48	105.48	105.48	105.48	105.48	105.48	105.48	105.48	105.48	105.48	105.48	105.48
G134.0	108.90	108.90	108.90	108.90	108.90	108.90	108.90	108.90	108.90	108.90	108.90	108.90	108.90
G135.0	112.39	112.39	112.39	112.39	112.39	112.39	112.39	112.39	112.39	112.39	112.39	112.39	112.39
G136.0	116.00	116.00	116.00	116.00	116.00	116.00	116.00	116.00	116.00	116.00	116.00	116.00	116.00
G137.0	119.51	119.51	119.51	119.51	119.51	119.51	119.51	119.51	119.51	119.51	119.51	119.51	119.51
G138.0	123.17	123.17	123.17	123.17	123.17	123.17	123.17	123.17	123.17	123.17	123.17	123.17	123.17
G139.0	126.88	126.88	126.88	126.88	126.88	126.88	126.88	126.88	126.88	126.88	126.88	126.88	126.88
G140.0	130.57	130.57	130.57	130.57	130.57	130.57	130.57	130.57	130.57	130.57	130.57	130.57	130.57
G141.0	134.32	134.32	134.32	134.32	134.32	134.32	134.32	134.32	134.32	134.32	134.32	134.32	134.32
G142.0	138.16	138.16	138.16	138.16	138.16	138.16	138.16	138.16	138.16	138.16	138.16	138.16	138.16
G143.0	141.95	141.95	141.95	141.95	141.95	141.95	141.95	141.95	141.95	141.95	141.95	141.95	141.95
G144.0	145.83	145.83	145.83	145.83	145.83	145.83	145.83	145.83	145.83	145.83	145.83	145.83	145.83
G145.0	149.77	149.77	149.77	149.77	149.77	149.77	149.77	149.77	149.77	149.77	149.77	149.77	149.77



Luminaire

Code PX-0124-NEG(1)
Name JUMBO

Measurem.

Code PX-0124-NEG
Name JUMBO

Luminaire Flux	95.62 lm	Luminaire Power	3.20 W	Efficacy	29.88 lm/W	Efficiency	100.00%
Sources Flux	95.62 lm	Maximum value	249.34 cd/klm	Position	C=0.00 G=0.00	CG	Asymmetrical

Luminous Intensity Table cd/klm Table 12/18

	C 325.00	C 330.00	C 335.00	C 340.00	C 345.00	C 350.00	C 355.00
G 73.0	26.71	26.71	26.71	26.71	26.71	26.71	26.71
G 74.0	24.07	24.07	24.07	24.07	24.07	24.07	24.07
G 75.0	21.53	21.53	21.53	21.53	21.53	21.53	21.53
G 76.0	19.11	19.11	19.11	19.11	19.11	19.11	19.11
G 77.0	16.66	16.66	16.66	16.66	16.66	16.66	16.66
G 78.0	14.34	14.34	14.34	14.34	14.34	14.34	14.34
G 79.0	12.20	12.20	12.20	12.20	12.20	12.20	12.20
G 80.0	10.10	10.10	10.10	10.10	10.10	10.10	10.10
G 81.0	8.19	8.19	8.19	8.19	8.19	8.19	8.19
G 82.0	6.49	6.49	6.49	6.49	6.49	6.49	6.49
G 83.0	4.96	4.96	4.96	4.96	4.96	4.96	4.96
G 84.0	3.60	3.60	3.60	3.60	3.60	3.60	3.60
G 85.0	2.51	2.51	2.51	2.51	2.51	2.51	2.51
G 86.0	1.56	1.56	1.56	1.56	1.56	1.56	1.56
G 87.0	0.91	0.91	0.91	0.91	0.91	0.91	0.91
G 88.0	0.50	0.50	0.50	0.50	0.50	0.50	0.50
G 89.0	0.28	0.28	0.28	0.28	0.28	0.28	0.28
G 90.0	0.33	0.33	0.33	0.33	0.33	0.33	0.33
G 91.0	0.28	0.28	0.28	0.28	0.28	0.28	0.28
G 92.0	0.50	0.50	0.50	0.50	0.50	0.50	0.50
G 93.0	0.91	0.91	0.91	0.91	0.91	0.91	0.91
G 94.0	1.56	1.56	1.56	1.56	1.56	1.56	1.56
G 95.0	2.51	2.51	2.51	2.51	2.51	2.51	2.51
G 96.0	3.60	3.60	3.60	3.60	3.60	3.60	3.60
G 97.0	4.96	4.96	4.96	4.96	4.96	4.96	4.96
G 98.0	6.49	6.49	6.49	6.49	6.49	6.49	6.49
G 99.0	8.19	8.19	8.19	8.19	8.19	8.19	8.19
G100.0	10.10	10.10	10.10	10.10	10.10	10.10	10.10
G101.0	12.20	12.20	12.20	12.20	12.20	12.20	12.20
G102.0	14.34	14.34	14.34	14.34	14.34	14.34	14.34
G103.0	16.66	16.66	16.66	16.66	16.66	16.66	16.66
G104.0	19.11	19.11	19.11	19.11	19.11	19.11	19.11
G105.0	21.53	21.53	21.53	21.53	21.53	21.53	21.53
G106.0	24.07	24.07	24.07	24.07	24.07	24.07	24.07
G107.0	26.71	26.71	26.71	26.71	26.71	26.71	26.71
G108.0	29.29	29.29	29.29	29.29	29.29	29.29	29.29
G109.0	32.05	32.05	32.05	32.05	32.05	32.05	32.05
G110.0	34.77	34.77	34.77	34.77	34.77	34.77	34.77
G111.0	37.53	37.53	37.53	37.53	37.53	37.53	37.53
G112.0	40.37	40.37	40.37	40.37	40.37	40.37	40.37
G113.0	43.21	43.21	43.21	43.21	43.21	43.21	43.21
G114.0	46.02	46.02	46.02	46.02	46.02	46.02	46.02
G115.0	48.98	48.98	48.98	48.98	48.98	48.98	48.98
G116.0	51.89	51.89	51.89	51.89	51.89	51.89	51.89
G117.0	54.78	54.78	54.78	54.78	54.78	54.78	54.78
G118.0	57.82	57.82	57.82	57.82	57.82	57.82	57.82
G119.0	60.77	60.77	60.77	60.77	60.77	60.77	60.77
G120.0	63.76	63.76	63.76	63.76	63.76	63.76	63.76
G121.0	66.81	66.81	66.81	66.81	66.81	66.81	66.81
G122.0	69.84	69.84	69.84	69.84	69.84	69.84	69.84
G123.0	72.87	72.87	72.87	72.87	72.87	72.87	72.87
G124.0	76.02	76.02	76.02	76.02	76.02	76.02	76.02
G125.0	79.16	79.16	79.16	79.16	79.16	79.16	79.16
G126.0	82.28	82.28	82.28	82.28	82.28	82.28	82.28
G127.0	85.54	85.54	85.54	85.54	85.54	85.54	85.54
G128.0	88.72	88.72	88.72	88.72	88.72	88.72	88.72
G129.0	91.99	91.99	91.99	91.99	91.99	91.99	91.99
G130.0	95.33	95.33	95.33	95.33	95.33	95.33	95.33
G131.0	98.63	98.63	98.63	98.63	98.63	98.63	98.63
G132.0	102.02	102.02	102.02	102.02	102.02	102.02	102.02
G133.0	105.48	105.48	105.48	105.48	105.48	105.48	105.48
G134.0	108.90	108.90	108.90	108.90	108.90	108.90	108.90
G135.0	112.39	112.39	112.39	112.39	112.39	112.39	112.39
G136.0	116.00	116.00	116.00	116.00	116.00	116.00	116.00
G137.0	119.51	119.51	119.51	119.51	119.51	119.51	119.51
G138.0	123.17	123.17	123.17	123.17	123.17	123.17	123.17
G139.0	126.88	126.88	126.88	126.88	126.88	126.88	126.88
G140.0	130.57	130.57	130.57	130.57	130.57	130.57	130.57
G141.0	134.32	134.32	134.32	134.32	134.32	134.32	134.32
G142.0	138.16	138.16	138.16	138.16	138.16	138.16	138.16
G143.0	141.95	141.95	141.95	141.95	141.95	141.95	141.95
G144.0	145.83	145.83	145.83	145.83	145.83	145.83	145.83
G145.0	149.77	149.77	149.77	149.77	149.77	149.77	149.77



Luminaire

Code PX-0124-NEG(1)

Name JUMBO

Measurerm.

Code PX-0124-NEG

Name JUMBO

Luminaire Flux	95.62 lm	Luminaire Power	3.20 W	Efficacy	29.88 lm/W	Efficiency	100.00%
Sources Flux	95.62 lm	Maximum value	249.34 cd/klm	Position	C=0.00 G=0.00	CG	Asymmetrical

Luminous Intensity Table cd/klm Table 13/18

	C 0.00	C 5.00	C 10.00	C 15.00	C 20.00	C 25.00	C 30.00	C 35.00	C 40.00	C 45.00	C 50.00	C 55.00	C 60.00
G146.0	153.65	153.65	153.65	153.65	153.65	153.65	153.65	153.65	153.65	153.65	153.65	153.65	153.65
G147.0	157.67	157.67	157.67	157.67	157.67	157.67	157.67	157.67	157.67	157.67	157.67	157.67	157.67
G148.0	161.63	161.63	161.63	161.63	161.63	161.63	161.63	161.63	161.63	161.63	161.63	161.63	161.63
G149.0	165.59	165.59	165.59	165.59	165.59	165.59	165.59	165.59	165.59	165.59	165.59	165.59	165.59
G150.0	169.62	169.62	169.62	169.62	169.62	169.62	169.62	169.62	169.62	169.62	169.62	169.62	169.62
G151.0	173.64	173.64	173.64	173.64	173.64	173.64	173.64	173.64	173.64	173.64	173.64	173.64	173.64
G152.0	177.58	177.58	177.58	177.58	177.58	177.58	177.58	177.58	177.58	177.58	177.58	177.58	177.58
G153.0	181.63	181.63	181.63	181.63	181.63	181.63	181.63	181.63	181.63	181.63	181.63	181.63	181.63
G154.0	185.60	185.60	185.60	185.60	185.60	185.60	185.60	185.60	185.60	185.60	185.60	185.60	185.60
G155.0	189.43	189.43	189.43	189.43	189.43	189.43	189.43	189.43	189.43	189.43	189.43	189.43	189.43
G156.0	193.42	193.42	193.42	193.42	193.42	193.42	193.42	193.42	193.42	193.42	193.42	193.42	193.42
G157.0	197.22	197.22	197.22	197.22	197.22	197.22	197.22	197.22	197.22	197.22	197.22	197.22	197.22
G158.0	200.95	200.95	200.95	200.95	200.95	200.95	200.95	200.95	200.95	200.95	200.95	200.95	200.95
G159.0	204.66	204.66	204.66	204.66	204.66	204.66	204.66	204.66	204.66	204.66	204.66	204.66	204.66
G160.0	208.34	208.34	208.34	208.34	208.34	208.34	208.34	208.34	208.34	208.34	208.34	208.34	208.34
G161.0	211.82	211.82	211.82	211.82	211.82	211.82	211.82	211.82	211.82	211.82	211.82	211.82	211.82
G162.0	215.33	215.33	215.33	215.33	215.33	215.33	215.33	215.33	215.33	215.33	215.33	215.33	215.33
G163.0	218.70	218.70	218.70	218.70	218.70	218.70	218.70	218.70	218.70	218.70	218.70	218.70	218.70
G164.0	221.85	221.85	221.85	221.85	221.85	221.85	221.85	221.85	221.85	221.85	221.85	221.85	221.85
G165.0	225.05	225.05	225.05	225.05	225.05	225.05	225.05	225.05	225.05	225.05	225.05	225.05	225.05
G166.0	227.94	227.94	227.94	227.94	227.94	227.94	227.94	227.94	227.94	227.94	227.94	227.94	227.94
G167.0	230.76	230.76	230.76	230.76	230.76	230.76	230.76	230.76	230.76	230.76	230.76	230.76	230.76
G168.0	233.45	233.45	233.45	233.45	233.45	233.45	233.45	233.45	233.45	233.45	233.45	233.45	233.45
G169.0	235.91	235.91	235.91	235.91	235.91	235.91	235.91	235.91	235.91	235.91	235.91	235.91	235.91
G170.0	238.16	238.16	238.16	238.16	238.16	238.16	238.16	238.16	238.16	238.16	238.16	238.16	238.16
G171.0	240.28	240.28	240.28	240.28	240.28	240.28	240.28	240.28	240.28	240.28	240.28	240.28	240.28
G172.0	242.12	242.12	242.12	242.12	242.12	242.12	242.12	242.12	242.12	242.12	242.12	242.12	242.12
G173.0	243.78	243.78	243.78	243.78	243.78	243.78	243.78	243.78	243.78	243.78	243.78	243.78	243.78
G174.0	245.29	245.29	245.29	245.29	245.29	245.29	245.29	245.29	245.29	245.29	245.29	245.29	245.29
G175.0	246.45	246.45	246.45	246.45	246.45	246.45	246.45	246.45	246.45	246.45	246.45	246.45	246.45
G176.0	247.49	247.49	247.49	247.49	247.49	247.49	247.49	247.49	247.49	247.49	247.49	247.49	247.49
G177.0	248.32	248.32	248.32	248.32	248.32	248.32	248.32	248.32	248.32	248.32	248.32	248.32	248.32
G178.0	248.82	248.82	248.82	248.82	248.82	248.82	248.82	248.82	248.82	248.82	248.82	248.82	248.82
G179.0	249.14	249.14	249.14	249.14	249.14	249.14	249.14	249.14	249.14	249.14	249.14	249.14	249.14
G180.0	249.34	249.34	249.34	249.34	249.34	249.34	249.34	249.34	249.34	249.34	249.34	249.34	249.34



Luminaire

Code PX-0124-NEG(1)
Name JUMBO

Measurerm.

Code PX-0124-NEG
Name JUMBO

Luminaire Flux	95.62 lm	Luminaire Power	3.20 W	Efficacy	29.88 lm/W	Efficiency	100.00%
Sources Flux	95.62 lm	Maximum value	249.34 cd/klm	Position	C=0.00 G=0.00	CG	Asymmetrical

Luminous Intensity Table cd/klm Table 14/18

	C 65.00	C 70.00	C 75.00	C 80.00	C 85.00	C 90.00	C 95.00	C 100.00	C 105.00	C 110.00	C 115.00	C 120.00	C 125.00
G146.0	153.65	153.65	153.65	153.65	153.65	153.65	153.65	153.65	153.65	153.65	153.65	153.65	153.65
G147.0	157.67	157.67	157.67	157.67	157.67	157.67	157.67	157.67	157.67	157.67	157.67	157.67	157.67
G148.0	161.63	161.63	161.63	161.63	161.63	161.63	161.63	161.63	161.63	161.63	161.63	161.63	161.63
G149.0	165.59	165.59	165.59	165.59	165.59	165.59	165.59	165.59	165.59	165.59	165.59	165.59	165.59
G150.0	169.62	169.62	169.62	169.62	169.62	169.62	169.62	169.62	169.62	169.62	169.62	169.62	169.62
G151.0	173.64	173.64	173.64	173.64	173.64	173.64	173.64	173.64	173.64	173.64	173.64	173.64	173.64
G152.0	177.58	177.58	177.58	177.58	177.58	177.58	177.58	177.58	177.58	177.58	177.58	177.58	177.58
G153.0	181.63	181.63	181.63	181.63	181.63	181.63	181.63	181.63	181.63	181.63	181.63	181.63	181.63
G154.0	185.60	185.60	185.60	185.60	185.60	185.60	185.60	185.60	185.60	185.60	185.60	185.60	185.60
G155.0	189.43	189.43	189.43	189.43	189.43	189.43	189.43	189.43	189.43	189.43	189.43	189.43	189.43
G156.0	193.42	193.42	193.42	193.42	193.42	193.42	193.42	193.42	193.42	193.42	193.42	193.42	193.42
G157.0	197.22	197.22	197.22	197.22	197.22	197.22	197.22	197.22	197.22	197.22	197.22	197.22	197.22
G158.0	200.95	200.95	200.95	200.95	200.95	200.95	200.95	200.95	200.95	200.95	200.95	200.95	200.95
G159.0	204.66	204.66	204.66	204.66	204.66	204.66	204.66	204.66	204.66	204.66	204.66	204.66	204.66
G160.0	208.34	208.34	208.34	208.34	208.34	208.34	208.34	208.34	208.34	208.34	208.34	208.34	208.34
G161.0	211.82	211.82	211.82	211.82	211.82	211.82	211.82	211.82	211.82	211.82	211.82	211.82	211.82
G162.0	215.33	215.33	215.33	215.33	215.33	215.33	215.33	215.33	215.33	215.33	215.33	215.33	215.33
G163.0	218.70	218.70	218.70	218.70	218.70	218.70	218.70	218.70	218.70	218.70	218.70	218.70	218.70
G164.0	221.85	221.85	221.85	221.85	221.85	221.85	221.85	221.85	221.85	221.85	221.85	221.85	221.85
G165.0	225.05	225.05	225.05	225.05	225.05	225.05	225.05	225.05	225.05	225.05	225.05	225.05	225.05
G166.0	227.94	227.94	227.94	227.94	227.94	227.94	227.94	227.94	227.94	227.94	227.94	227.94	227.94
G167.0	230.76	230.76	230.76	230.76	230.76	230.76	230.76	230.76	230.76	230.76	230.76	230.76	230.76
G168.0	233.45	233.45	233.45	233.45	233.45	233.45	233.45	233.45	233.45	233.45	233.45	233.45	233.45
G169.0	235.91	235.91	235.91	235.91	235.91	235.91	235.91	235.91	235.91	235.91	235.91	235.91	235.91
G170.0	238.16	238.16	238.16	238.16	238.16	238.16	238.16	238.16	238.16	238.16	238.16	238.16	238.16
G171.0	240.28	240.28	240.28	240.28	240.28	240.28	240.28	240.28	240.28	240.28	240.28	240.28	240.28
G172.0	242.12	242.12	242.12	242.12	242.12	242.12	242.12	242.12	242.12	242.12	242.12	242.12	242.12
G173.0	243.78	243.78	243.78	243.78	243.78	243.78	243.78	243.78	243.78	243.78	243.78	243.78	243.78
G174.0	245.29	245.29	245.29	245.29	245.29	245.29	245.29	245.29	245.29	245.29	245.29	245.29	245.29
G175.0	246.45	246.45	246.45	246.45	246.45	246.45	246.45	246.45	246.45	246.45	246.45	246.45	246.45
G176.0	247.49	247.49	247.49	247.49	247.49	247.49	247.49	247.49	247.49	247.49	247.49	247.49	247.49
G177.0	248.32	248.32	248.32	248.32	248.32	248.32	248.32	248.32	248.32	248.32	248.32	248.32	248.32
G178.0	248.82	248.82	248.82	248.82	248.82	248.82	248.82	248.82	248.82	248.82	248.82	248.82	248.82
G179.0	249.14	249.14	249.14	249.14	249.14	249.14	249.14	249.14	249.14	249.14	249.14	249.14	249.14
G180.0	249.34	249.34	249.34	249.34	249.34	249.34	249.34	249.34	249.34	249.34	249.34	249.34	249.34



Luminaire

Code PX-0124-NEG(1)

Name JUMBO

Measurerm.

Code PX-0124-NEG

Name JUMBO

Luminaire Flux	95.62 lm	Luminaire Power	3.20 W	Efficacy	29.88 lm/W	Efficiency	100.00%
Sources Flux	95.62 lm	Maximum value	249.34 cd/klm	Position	C=0.00 G=0.00	CG	Asymmetrical

Luminous Intensity Table cd/klm Table 15/18

	C 130.00	C 135.00	C 140.00	C 145.00	C 150.00	C 155.00	C 160.00	C 165.00	C 170.00	C 175.00	C 180.00	C 185.00	C 190.00
G146.0	153.65	153.65	153.65	153.65	153.65	153.65	153.65	153.65	153.65	153.65	153.65	153.65	153.65
G147.0	157.67	157.67	157.67	157.67	157.67	157.67	157.67	157.67	157.67	157.67	157.67	157.67	157.67
G148.0	161.63	161.63	161.63	161.63	161.63	161.63	161.63	161.63	161.63	161.63	161.63	161.63	161.63
G149.0	165.59	165.59	165.59	165.59	165.59	165.59	165.59	165.59	165.59	165.59	165.59	165.59	165.59
G150.0	169.62	169.62	169.62	169.62	169.62	169.62	169.62	169.62	169.62	169.62	169.62	169.62	169.62
G151.0	173.64	173.64	173.64	173.64	173.64	173.64	173.64	173.64	173.64	173.64	173.64	173.64	173.64
G152.0	177.58	177.58	177.58	177.58	177.58	177.58	177.58	177.58	177.58	177.58	177.58	177.58	177.58
G153.0	181.63	181.63	181.63	181.63	181.63	181.63	181.63	181.63	181.63	181.63	181.63	181.63	181.63
G154.0	185.60	185.60	185.60	185.60	185.60	185.60	185.60	185.60	185.60	185.60	185.60	185.60	185.60
G155.0	189.43	189.43	189.43	189.43	189.43	189.43	189.43	189.43	189.43	189.43	189.43	189.43	189.43
G156.0	193.42	193.42	193.42	193.42	193.42	193.42	193.42	193.42	193.42	193.42	193.42	193.42	193.42
G157.0	197.22	197.22	197.22	197.22	197.22	197.22	197.22	197.22	197.22	197.22	197.22	197.22	197.22
G158.0	200.95	200.95	200.95	200.95	200.95	200.95	200.95	200.95	200.95	200.95	200.95	200.95	200.95
G159.0	204.66	204.66	204.66	204.66	204.66	204.66	204.66	204.66	204.66	204.66	204.66	204.66	204.66
G160.0	208.34	208.34	208.34	208.34	208.34	208.34	208.34	208.34	208.34	208.34	208.34	208.34	208.34
G161.0	211.82	211.82	211.82	211.82	211.82	211.82	211.82	211.82	211.82	211.82	211.82	211.82	211.82
G162.0	215.33	215.33	215.33	215.33	215.33	215.33	215.33	215.33	215.33	215.33	215.33	215.33	215.33
G163.0	218.70	218.70	218.70	218.70	218.70	218.70	218.70	218.70	218.70	218.70	218.70	218.70	218.70
G164.0	221.85	221.85	221.85	221.85	221.85	221.85	221.85	221.85	221.85	221.85	221.85	221.85	221.85
G165.0	225.05	225.05	225.05	225.05	225.05	225.05	225.05	225.05	225.05	225.05	225.05	225.05	225.05
G166.0	227.94	227.94	227.94	227.94	227.94	227.94	227.94	227.94	227.94	227.94	227.94	227.94	227.94
G167.0	230.76	230.76	230.76	230.76	230.76	230.76	230.76	230.76	230.76	230.76	230.76	230.76	230.76
G168.0	233.45	233.45	233.45	233.45	233.45	233.45	233.45	233.45	233.45	233.45	233.45	233.45	233.45
G169.0	235.91	235.91	235.91	235.91	235.91	235.91	235.91	235.91	235.91	235.91	235.91	235.91	235.91
G170.0	238.16	238.16	238.16	238.16	238.16	238.16	238.16	238.16	238.16	238.16	238.16	238.16	238.16
G171.0	240.28	240.28	240.28	240.28	240.28	240.28	240.28	240.28	240.28	240.28	240.28	240.28	240.28
G172.0	242.12	242.12	242.12	242.12	242.12	242.12	242.12	242.12	242.12	242.12	242.12	242.12	242.12
G173.0	243.78	243.78	243.78	243.78	243.78	243.78	243.78	243.78	243.78	243.78	243.78	243.78	243.78
G174.0	245.29	245.29	245.29	245.29	245.29	245.29	245.29	245.29	245.29	245.29	245.29	245.29	245.29
G175.0	246.45	246.45	246.45	246.45	246.45	246.45	246.45	246.45	246.45	246.45	246.45	246.45	246.45
G176.0	247.49	247.49	247.49	247.49	247.49	247.49	247.49	247.49	247.49	247.49	247.49	247.49	247.49
G177.0	248.32	248.32	248.32	248.32	248.32	248.32	248.32	248.32	248.32	248.32	248.32	248.32	248.32
G178.0	248.82	248.82	248.82	248.82	248.82	248.82	248.82	248.82	248.82	248.82	248.82	248.82	248.82
G179.0	249.14	249.14	249.14	249.14	249.14	249.14	249.14	249.14	249.14	249.14	249.14	249.14	249.14
G180.0	249.34	249.34	249.34	249.34	249.34	249.34	249.34	249.34	249.34	249.34	249.34	249.34	249.34



Luminaire

Code PX-0124-NEG(1)
Name JUMBO

Measurerm.

Code PX-0124-NEG
Name JUMBO

Luminaire Flux	95.62 lm	Luminaire Power	3.20 W	Efficacy	29.88 lm/W	Efficiency	100.00%
Sources Flux	95.62 lm	Maximum value	249.34 cd/klm	Position	C=0.00 G=0.00	CG	Asymmetrical

Luminous Intensity Table cd/klm Table 16/18

	C 195.00	C 200.00	C 205.00	C 210.00	C 215.00	C 220.00	C 225.00	C 230.00	C 235.00	C 240.00	C 245.00	C 250.00	C 255.00
G146.0	153.65	153.65	153.65	153.65	153.65	153.65	153.65	153.65	153.65	153.65	153.65	153.65	153.65
G147.0	157.67	157.67	157.67	157.67	157.67	157.67	157.67	157.67	157.67	157.67	157.67	157.67	157.67
G148.0	161.63	161.63	161.63	161.63	161.63	161.63	161.63	161.63	161.63	161.63	161.63	161.63	161.63
G149.0	165.59	165.59	165.59	165.59	165.59	165.59	165.59	165.59	165.59	165.59	165.59	165.59	165.59
G150.0	169.62	169.62	169.62	169.62	169.62	169.62	169.62	169.62	169.62	169.62	169.62	169.62	169.62
G151.0	173.64	173.64	173.64	173.64	173.64	173.64	173.64	173.64	173.64	173.64	173.64	173.64	173.64
G152.0	177.58	177.58	177.58	177.58	177.58	177.58	177.58	177.58	177.58	177.58	177.58	177.58	177.58
G153.0	181.63	181.63	181.63	181.63	181.63	181.63	181.63	181.63	181.63	181.63	181.63	181.63	181.63
G154.0	185.60	185.60	185.60	185.60	185.60	185.60	185.60	185.60	185.60	185.60	185.60	185.60	185.60
G155.0	189.43	189.43	189.43	189.43	189.43	189.43	189.43	189.43	189.43	189.43	189.43	189.43	189.43
G156.0	193.42	193.42	193.42	193.42	193.42	193.42	193.42	193.42	193.42	193.42	193.42	193.42	193.42
G157.0	197.22	197.22	197.22	197.22	197.22	197.22	197.22	197.22	197.22	197.22	197.22	197.22	197.22
G158.0	200.95	200.95	200.95	200.95	200.95	200.95	200.95	200.95	200.95	200.95	200.95	200.95	200.95
G159.0	204.66	204.66	204.66	204.66	204.66	204.66	204.66	204.66	204.66	204.66	204.66	204.66	204.66
G160.0	208.34	208.34	208.34	208.34	208.34	208.34	208.34	208.34	208.34	208.34	208.34	208.34	208.34
G161.0	211.82	211.82	211.82	211.82	211.82	211.82	211.82	211.82	211.82	211.82	211.82	211.82	211.82
G162.0	215.33	215.33	215.33	215.33	215.33	215.33	215.33	215.33	215.33	215.33	215.33	215.33	215.33
G163.0	218.70	218.70	218.70	218.70	218.70	218.70	218.70	218.70	218.70	218.70	218.70	218.70	218.70
G164.0	221.85	221.85	221.85	221.85	221.85	221.85	221.85	221.85	221.85	221.85	221.85	221.85	221.85
G165.0	225.05	225.05	225.05	225.05	225.05	225.05	225.05	225.05	225.05	225.05	225.05	225.05	225.05
G166.0	227.94	227.94	227.94	227.94	227.94	227.94	227.94	227.94	227.94	227.94	227.94	227.94	227.94
G167.0	230.76	230.76	230.76	230.76	230.76	230.76	230.76	230.76	230.76	230.76	230.76	230.76	230.76
G168.0	233.45	233.45	233.45	233.45	233.45	233.45	233.45	233.45	233.45	233.45	233.45	233.45	233.45
G169.0	235.91	235.91	235.91	235.91	235.91	235.91	235.91	235.91	235.91	235.91	235.91	235.91	235.91
G170.0	238.16	238.16	238.16	238.16	238.16	238.16	238.16	238.16	238.16	238.16	238.16	238.16	238.16
G171.0	240.28	240.28	240.28	240.28	240.28	240.28	240.28	240.28	240.28	240.28	240.28	240.28	240.28
G172.0	242.12	242.12	242.12	242.12	242.12	242.12	242.12	242.12	242.12	242.12	242.12	242.12	242.12
G173.0	243.78	243.78	243.78	243.78	243.78	243.78	243.78	243.78	243.78	243.78	243.78	243.78	243.78
G174.0	245.29	245.29	245.29	245.29	245.29	245.29	245.29	245.29	245.29	245.29	245.29	245.29	245.29
G175.0	246.45	246.45	246.45	246.45	246.45	246.45	246.45	246.45	246.45	246.45	246.45	246.45	246.45
G176.0	247.49	247.49	247.49	247.49	247.49	247.49	247.49	247.49	247.49	247.49	247.49	247.49	247.49
G177.0	248.32	248.32	248.32	248.32	248.32	248.32	248.32	248.32	248.32	248.32	248.32	248.32	248.32
G178.0	248.82	248.82	248.82	248.82	248.82	248.82	248.82	248.82	248.82	248.82	248.82	248.82	248.82
G179.0	249.14	249.14	249.14	249.14	249.14	249.14	249.14	249.14	249.14	249.14	249.14	249.14	249.14
G180.0	249.34	249.34	249.34	249.34	249.34	249.34	249.34	249.34	249.34	249.34	249.34	249.34	249.34



Luminaire

Code PX-0124-NEG(1)
Name JUMBO

Measurerm.

Code PX-0124-NEG
Name JUMBO

Luminaire Flux	95.62 lm	Luminaire Power	3.20 W	Efficacy	29.88 lm/W	Efficiency	100.00%
Sources Flux	95.62 lm	Maximum value	249.34 cd/klm	Position	C=0.00 G=0.00	CG	Asymmetrical

Luminous Intensity Table cd/klm Table 17/18

	C 260.00	C 265.00	C 270.00	C 275.00	C 280.00	C 285.00	C 290.00	C 295.00	C 300.00	C 305.00	C 310.00	C 315.00	C 320.00
G146.0	153.65	153.65	153.65	153.65	153.65	153.65	153.65	153.65	153.65	153.65	153.65	153.65	153.65
G147.0	157.67	157.67	157.67	157.67	157.67	157.67	157.67	157.67	157.67	157.67	157.67	157.67	157.67
G148.0	161.63	161.63	161.63	161.63	161.63	161.63	161.63	161.63	161.63	161.63	161.63	161.63	161.63
G149.0	165.59	165.59	165.59	165.59	165.59	165.59	165.59	165.59	165.59	165.59	165.59	165.59	165.59
G150.0	169.62	169.62	169.62	169.62	169.62	169.62	169.62	169.62	169.62	169.62	169.62	169.62	169.62
G151.0	173.64	173.64	173.64	173.64	173.64	173.64	173.64	173.64	173.64	173.64	173.64	173.64	173.64
G152.0	177.58	177.58	177.58	177.58	177.58	177.58	177.58	177.58	177.58	177.58	177.58	177.58	177.58
G153.0	181.63	181.63	181.63	181.63	181.63	181.63	181.63	181.63	181.63	181.63	181.63	181.63	181.63
G154.0	185.60	185.60	185.60	185.60	185.60	185.60	185.60	185.60	185.60	185.60	185.60	185.60	185.60
G155.0	189.43	189.43	189.43	189.43	189.43	189.43	189.43	189.43	189.43	189.43	189.43	189.43	189.43
G156.0	193.42	193.42	193.42	193.42	193.42	193.42	193.42	193.42	193.42	193.42	193.42	193.42	193.42
G157.0	197.22	197.22	197.22	197.22	197.22	197.22	197.22	197.22	197.22	197.22	197.22	197.22	197.22
G158.0	200.95	200.95	200.95	200.95	200.95	200.95	200.95	200.95	200.95	200.95	200.95	200.95	200.95
G159.0	204.66	204.66	204.66	204.66	204.66	204.66	204.66	204.66	204.66	204.66	204.66	204.66	204.66
G160.0	208.34	208.34	208.34	208.34	208.34	208.34	208.34	208.34	208.34	208.34	208.34	208.34	208.34
G161.0	211.82	211.82	211.82	211.82	211.82	211.82	211.82	211.82	211.82	211.82	211.82	211.82	211.82
G162.0	215.33	215.33	215.33	215.33	215.33	215.33	215.33	215.33	215.33	215.33	215.33	215.33	215.33
G163.0	218.70	218.70	218.70	218.70	218.70	218.70	218.70	218.70	218.70	218.70	218.70	218.70	218.70
G164.0	221.85	221.85	221.85	221.85	221.85	221.85	221.85	221.85	221.85	221.85	221.85	221.85	221.85
G165.0	225.05	225.05	225.05	225.05	225.05	225.05	225.05	225.05	225.05	225.05	225.05	225.05	225.05
G166.0	227.94	227.94	227.94	227.94	227.94	227.94	227.94	227.94	227.94	227.94	227.94	227.94	227.94
G167.0	230.76	230.76	230.76	230.76	230.76	230.76	230.76	230.76	230.76	230.76	230.76	230.76	230.76
G168.0	233.45	233.45	233.45	233.45	233.45	233.45	233.45	233.45	233.45	233.45	233.45	233.45	233.45
G169.0	235.91	235.91	235.91	235.91	235.91	235.91	235.91	235.91	235.91	235.91	235.91	235.91	235.91
G170.0	238.16	238.16	238.16	238.16	238.16	238.16	238.16	238.16	238.16	238.16	238.16	238.16	238.16
G171.0	240.28	240.28	240.28	240.28	240.28	240.28	240.28	240.28	240.28	240.28	240.28	240.28	240.28
G172.0	242.12	242.12	242.12	242.12	242.12	242.12	242.12	242.12	242.12	242.12	242.12	242.12	242.12
G173.0	243.78	243.78	243.78	243.78	243.78	243.78	243.78	243.78	243.78	243.78	243.78	243.78	243.78
G174.0	245.29	245.29	245.29	245.29	245.29	245.29	245.29	245.29	245.29	245.29	245.29	245.29	245.29
G175.0	246.45	246.45	246.45	246.45	246.45	246.45	246.45	246.45	246.45	246.45	246.45	246.45	246.45
G176.0	247.49	247.49	247.49	247.49	247.49	247.49	247.49	247.49	247.49	247.49	247.49	247.49	247.49
G177.0	248.32	248.32	248.32	248.32	248.32	248.32	248.32	248.32	248.32	248.32	248.32	248.32	248.32
G178.0	248.82	248.82	248.82	248.82	248.82	248.82	248.82	248.82	248.82	248.82	248.82	248.82	248.82
G179.0	249.14	249.14	249.14	249.14	249.14	249.14	249.14	249.14	249.14	249.14	249.14	249.14	249.14
G180.0	249.34	249.34	249.34	249.34	249.34	249.34	249.34	249.34	249.34	249.34	249.34	249.34	249.34



Luminaire

Code PX-0124-NEG(1)
Name JUMBO

Measurem.

Code PX-0124-NEG
Name JUMBO

Luminaire Flux	95.62 lm	Luminaire Power	3.20 W	Efficacy	29.88 lm/W	Efficiency	100.00%
Sources Flux	95.62 lm	Maximum value	249.34 cd/klm	Position	C=0.00 G=0.00	CG	Asymmetrical

Luminous Intensity Table cd/klm Table 18/18

	C 325.00	C 330.00	C 335.00	C 340.00	C 345.00	C 350.00	C 355.00
G146.0	153.65	153.65	153.65	153.65	153.65	153.65	153.65
G147.0	157.67	157.67	157.67	157.67	157.67	157.67	157.67
G148.0	161.63	161.63	161.63	161.63	161.63	161.63	161.63
G149.0	165.59	165.59	165.59	165.59	165.59	165.59	165.59
G150.0	169.62	169.62	169.62	169.62	169.62	169.62	169.62
G151.0	173.64	173.64	173.64	173.64	173.64	173.64	173.64
G152.0	177.58	177.58	177.58	177.58	177.58	177.58	177.58
G153.0	181.63	181.63	181.63	181.63	181.63	181.63	181.63
G154.0	185.60	185.60	185.60	185.60	185.60	185.60	185.60
G155.0	189.43	189.43	189.43	189.43	189.43	189.43	189.43
G156.0	193.42	193.42	193.42	193.42	193.42	193.42	193.42
G157.0	197.22	197.22	197.22	197.22	197.22	197.22	197.22
G158.0	200.95	200.95	200.95	200.95	200.95	200.95	200.95
G159.0	204.66	204.66	204.66	204.66	204.66	204.66	204.66
G160.0	208.34	208.34	208.34	208.34	208.34	208.34	208.34
G161.0	211.82	211.82	211.82	211.82	211.82	211.82	211.82
G162.0	215.33	215.33	215.33	215.33	215.33	215.33	215.33
G163.0	218.70	218.70	218.70	218.70	218.70	218.70	218.70
G164.0	221.85	221.85	221.85	221.85	221.85	221.85	221.85
G165.0	225.05	225.05	225.05	225.05	225.05	225.05	225.05
G166.0	227.94	227.94	227.94	227.94	227.94	227.94	227.94
G167.0	230.76	230.76	230.76	230.76	230.76	230.76	230.76
G168.0	233.45	233.45	233.45	233.45	233.45	233.45	233.45
G169.0	235.91	235.91	235.91	235.91	235.91	235.91	235.91
G170.0	238.16	238.16	238.16	238.16	238.16	238.16	238.16
G171.0	240.28	240.28	240.28	240.28	240.28	240.28	240.28
G172.0	242.12	242.12	242.12	242.12	242.12	242.12	242.12
G173.0	243.78	243.78	243.78	243.78	243.78	243.78	243.78
G174.0	245.29	245.29	245.29	245.29	245.29	245.29	245.29
G175.0	246.45	246.45	246.45	246.45	246.45	246.45	246.45
G176.0	247.49	247.49	247.49	247.49	247.49	247.49	247.49
G177.0	248.32	248.32	248.32	248.32	248.32	248.32	248.32
G178.0	248.82	248.82	248.82	248.82	248.82	248.82	248.82
G179.0	249.14	249.14	249.14	249.14	249.14	249.14	249.14
G180.0	249.34	249.34	249.34	249.34	249.34	249.34	249.34



Luminaire

Code PX-0124-NEG(1)

Name JUMBO

Measurem.

Code PX-0124-NEG

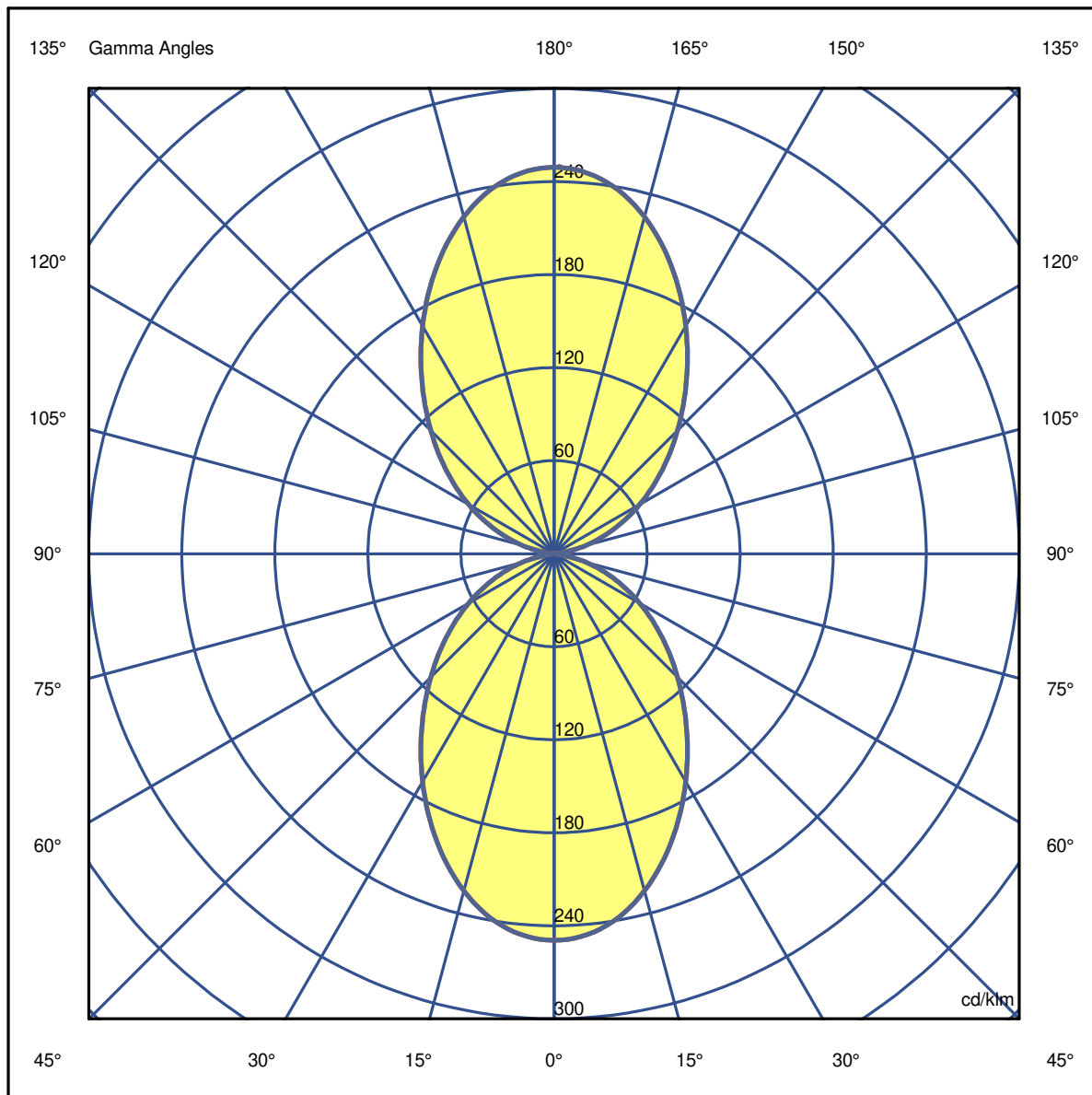
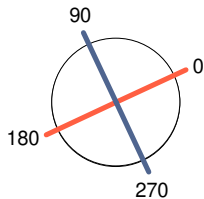
Name JUMBO

Luminaire Flux	95.62 lm	Luminaire Power	3.20 W	Efficacy	29.88 lm/W	Efficiency	100.00%
Sources Flux	95.62 lm	Maximum value	249.34 cd/klm	Position	C=0.00 G=0.00	CG	Asymmetrical

Diam=88mm

C Halfplanes

180.0 ———— 0.0
 270.0 ———— 90.0





Luminaire

Code PX-0124-NEG(1)

Name JUMBO

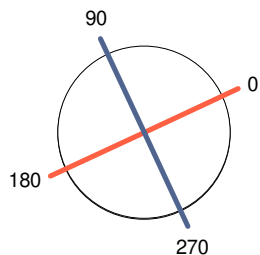
Measurement

Code PX-0124-NEG

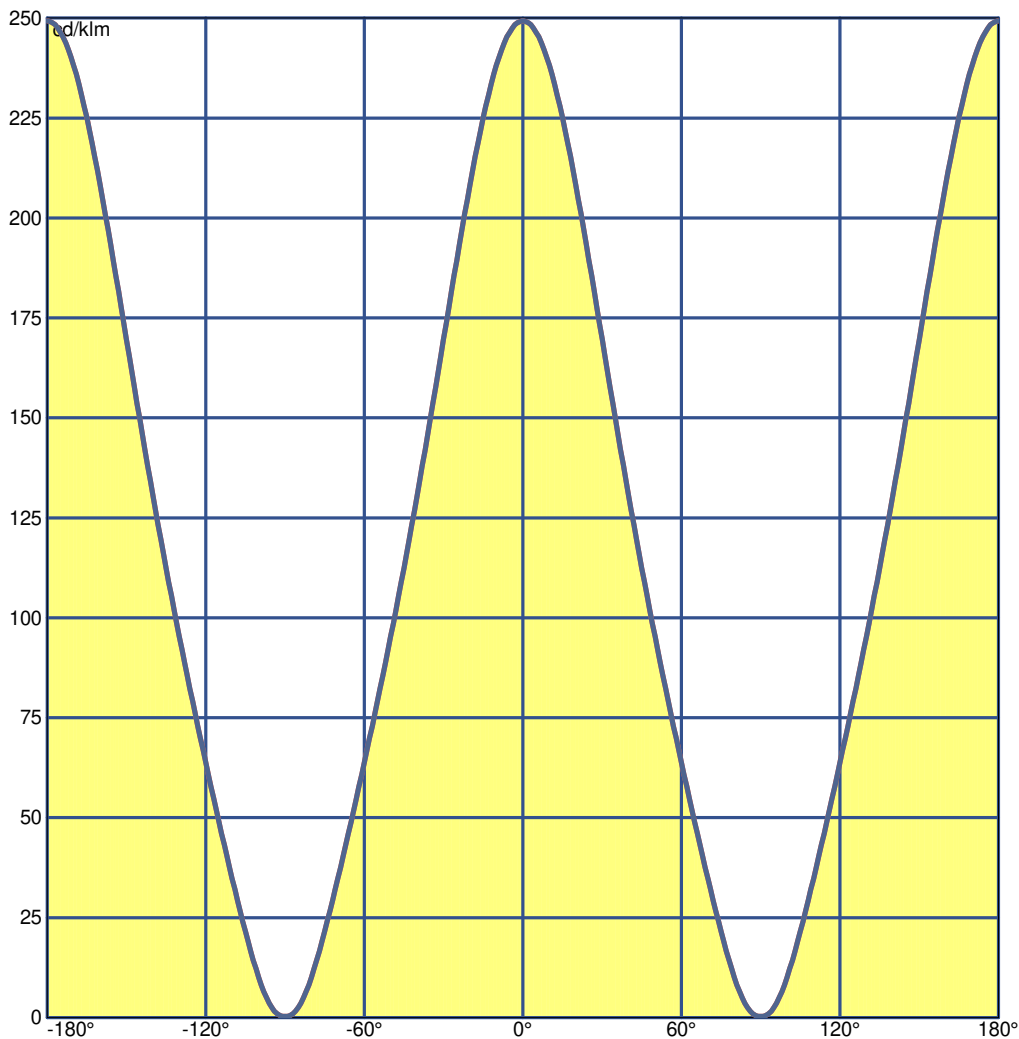
Name JUMBO

Luminaire Flux	95.62 lm	Luminaire Power	3.20 W	Efficacy	29.88 lm/W	Efficiency	100.00%
Sources Flux	95.62 lm	Maximum value	249.34 cd/klm	Position	C=0.00 G=0.00	CG	Asymmetrical

Diam=88mm



C Halfplanes





Luminaire

Code PX-0124-NEG(1)
Name JUMBO

Measurem.

Code PX-0124-NEG
Name JUMBO

Luminaire Flux	95.62 lm	Luminaire Power	3.20 W	Efficacy	29.88 lm/W	Efficiency	100.00%
Sources Flux	95.62 lm	Maximum value	249.34 cd/klm	Position	C=0.00 G=0.00	CG	Asymmetrical

UGR
S = 0.250

Reflectancies										
Ceiling/Cavity	0.7	0.7	0.5	0.5	0.3	0.7	0.7	0.5	0.5	0.3
Walls	0.5	0.3	0.5	0.3	0.3	0.5	0.3	0.5	0.3	0.3
WorkingPlane	0.2	0.2	0.2	0.2	0.2	0.2	0.2	0.2	0.2	0.2
RoomDimensions	Viewed Crosswise					Viewed Endwise				
x=2H y=2H	16.3	17.1	17.2	18.0	19.1	16.3	17.1	17.2	18.0	19.1
x=2H y=3H	17.5	18.1	18.4	19.0	20.2	17.5	18.1	18.4	19.0	20.2
x=2H y=4H	17.8	18.4	18.7	19.4	20.5	17.8	18.4	18.7	19.4	20.5
x=2H y=6H	17.9	18.5	18.9	19.5	20.6	17.9	18.5	18.9	19.5	20.6
x=2H y=8H	17.9	18.5	18.9	19.4	20.6	17.9	18.5	18.9	19.4	20.6
x=2H y=12H	17.9	18.4	18.9	19.4	20.6	17.9	18.4	18.9	19.4	20.6
x=4H y=2H	16.8	17.4	17.7	18.3	19.5	16.8	17.4	17.7	18.3	19.5
x=4H y=3H	18.1	18.6	19.0	19.5	20.8	18.1	18.6	19.0	19.5	20.8
x=4H y=4H	18.5	18.9	19.5	19.9	21.2	18.5	18.9	19.5	19.9	21.2
x=4H y=6H	18.7	19.1	19.7	20.1	21.3	18.7	19.1	19.7	20.1	21.3
x=4H y=8H	18.7	19.1	19.7	20.0	21.3	18.7	19.1	19.7	20.0	21.3
x=4H y=12H	18.7	19.0	19.7	20.0	21.3	18.7	19.0	19.7	20.0	21.3
x=8H y=4H	18.6	18.9	19.6	19.9	21.2	18.6	18.9	19.6	19.9	21.2
x=8H y=6H	18.8	19.1	19.9	20.1	21.5	18.8	19.1	19.9	20.1	21.5
x=8H y=8H	18.9	19.1	19.9	20.1	21.5	18.9	19.1	19.9	20.1	21.5
x=8H y=12H	18.9	19.1	19.9	20.1	21.4	18.9	19.1	19.9	20.1	21.4
x=12H y=4H	18.5	18.8	19.5	19.8	21.1	18.5	18.8	19.5	19.8	21.1
x=12H y=6H	18.8	19.1	19.8	20.1	21.4	18.8	19.1	19.8	20.1	21.4
x=12H y=8H	18.9	19.1	19.9	20.1	21.4	18.9	19.1	19.9	20.1	21.4



Luminaire

Code PX-0124-NEG(1)
Name JUMBO

Measurement

Code PX-0124-NEG
Name JUMBO

Luminaire Flux	95.62 lm	Luminaire Power	3.20 W	Efficacy	29.88 lm/W	Efficiency	100.00%
Sources Flux	95.62 lm	Maximum value	249.34 cd/klm	Position	C=0.00 G=0.00	CG	Asymmetrical

Total Flux= 95.62 Luminaire Flux= 95.62

RI	0.60	0.80	1.00	1.25	1.50	2.00	2.50	3.00	4.00	5.00	10.00	20.00
DRR	0.37	0.46	0.53	0.60	0.65	0.73	0.79	0.82	0.87	0.89	0.95	0.97
RC	4	4	4	4	4	3	3	3	3	3	3	2

Zonal Flux per 1000 Lumen

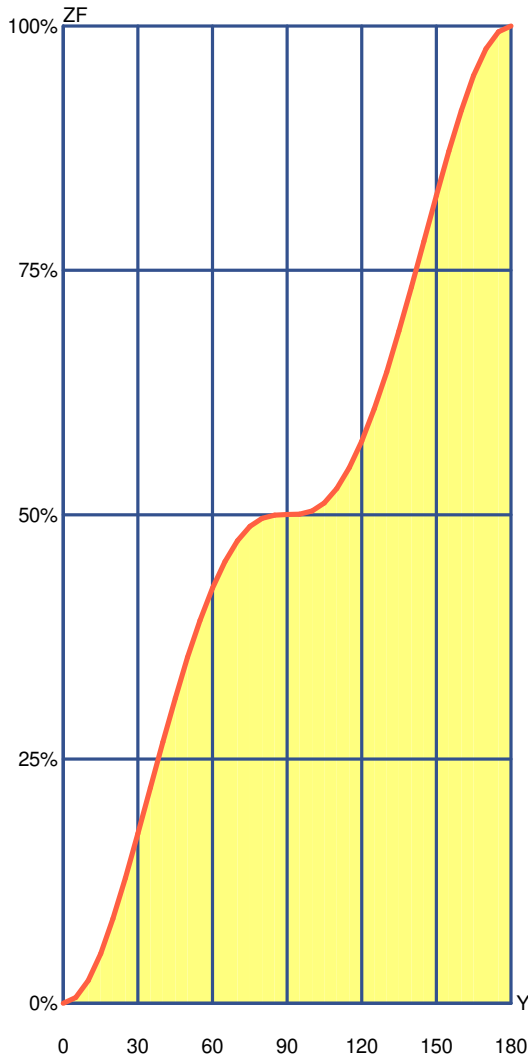
Y°	10	20	30	40	50	60	70	80	90	100	110	120	130	140	150	160	170	180
ZF(Y)	23	86	173	267	354	425	473	496	500	504	527	575	646	733	827	914	977	1000

CIE Flux Codes

56 85 98 50 100

C.I.E. 4/4/4/4/4/3/3/3/3/3/2
D DIN 5040 C41
F UTE 0.50 D + 0.50 T
B NBN BZ 3
RN 50.00000 %
BLF 1.0

LOR 100.00000 %
ULOR 50.00000 %
DLOR 50.00000 %
UFF 50.00000 %
DFF 50.00000 %
FFR 100.00000 %



Gamma °	Zonal Flux			
	Flux	Sum lm	Flux [%]	Sum [%]
0°	0.00	0.00	0.00%	0.00%
5°	5.93	5.93	0.59%	0.59%
10°	17.34	23.26	1.73%	2.33%
15°	27.47	50.73	2.75%	5.07%
20°	35.69	86.42	3.57%	8.64%
25°	41.68	128.10	4.17%	12.81%
30°	45.39	173.49	4.54%	17.35%
35°	46.95	220.44	4.70%	22.04%
40°	46.69	267.13	4.67%	26.71%
45°	44.91	312.04	4.49%	31.20%
50°	41.90	353.93	4.19%	35.39%
55°	37.86	391.80	3.79%	39.18%
60°	32.98	424.77	3.30%	42.48%
65°	27.36	452.13	2.74%	45.21%
70°	21.15	473.28	2.11%	47.33%
75°	14.65	487.93	1.47%	48.79%
80°	8.35	496.28	0.84%	49.63%
85°	3.21	499.49	0.32%	49.95%
90°	0.51	500.00	0.05%	50.00%
95°	0.51	500.51	0.05%	50.05%
100°	3.21	503.72	0.32%	50.37%
105°	8.35	512.07	0.84%	51.21%
110°	14.65	526.72	1.47%	52.67%
115°	21.15	547.87	2.11%	54.79%
120°	27.36	575.23	2.74%	57.52%
125°	32.98	608.20	3.30%	60.82%
130°	37.86	646.07	3.79%	64.61%
135°	41.90	687.96	4.19%	68.80%
140°	44.91	732.87	4.49%	73.29%
145°	46.69	779.56	4.67%	77.96%
150°	46.95	826.51	4.70%	82.65%
155°	45.39	871.90	4.54%	87.19%
160°	41.68	913.58	4.17%	91.36%
165°	35.69	949.27	3.57%	94.93%
170°	27.47	976.74	2.75%	97.67%
175°	17.34	994.07	1.73%	99.41%
180°	5.93	1000.00	0.59%	100.00%



Luminaire
 Code PX-0124-NEG(1)
 Name JUMBO
Measurement
 Code PX-0124-NEG
 Name JUMBO

Luminaire Flux	95.62 lm	Luminaire Power	3.20 W	Efficacy	29.88 lm/W	Efficiency	100.00%
Sources Flux	95.62 lm	Maximum value	249.34 cd/klm	Position	C=0.00 G=0.00	CG Asymmetrical	

Utilizations CIE

Mounting Direct Normalization Normalised Suspension Ratid/3 Standard CIE Settings

Ceiling

K	8873	8773	8871	8771	7773	7771	7753	7553	7751	7551	7731	7331	7711	7111	5551	5531	5331	5511	5111	3331	3311	1111	0000
0.60	547	491	509	459	467	438	414	352	395	337	367	277	346	236	315	296	261	282	225	248	237	205	188
0.80	604	554	546	503	527	481	468	410	437	384	405	322	381	279	359	337	305	321	266	289	277	243	222
1.00	643	598	566	530	569	508	509	454	464	417	432	356	407	312	391	368	338	350	298	321	307	274	250
1.25	677	638	581	551	607	529	548	498	488	446	457	389	431	345	420	397	369	379	331	351	337	304	278
1.50	702	667	589	563	635	542	579	532	505	468	474	413	450	371	441	419	393	401	356	375	361	329	300
2.00	734	706	596	576	673	557	622	582	525	495	499	448	476	410	469	450	428	433	394	410	397	366	333
2.50	755	731	599	583	698	565	653	618	538	513	514	471	494	437	488	471	452	455	421	434	422	393	357
3.00	770	749	600	587	716	570	675	644	546	525	526	488	507	456	501	486	469	472	441	451	440	413	375
4.00	790	773	601	591	740	576	706	681	558	541	540	511	525	484	519	506	492	494	469	475	466	442	400
5.00	802	788	601	593	755	580	726	705	564	551	550	525	537	502	530	519	508	509	488	491	483	460	417
10.00	828	821	600	597	787	586	771	759	578	571	570	557	562	543	554	547	541	541	529	526	522	504	455
20.00	841	837	599	597	805	589	796	789	584	581	580	573	576	566	566	563	559	559	553	546	543	528	476

Wall

K	8873	8773	8871	8771	7773	7771	7753	7553	7751	7551	7731	7331	7711	7111	5551	5531	5331	5511	5111	3331	3311	1111	0000
0.60	367	337	319	294	321	280	253	224	226	201	190	155	163	125	188	160	147	139	119	139	122	109	94
0.80	422	392	356	332	370	314	301	270	262	236	225	187	197	154	217	188	174	166	144	162	144	128	109
1.00	460	431	378	356	403	335	337	305	286	260	250	211	222	177	236	208	194	187	163	178	160	140	118
1.25	494	467	395	375	434	352	370	339	307	282	273	235	245	199	253	227	212	206	182	192	175	151	125
1.50	519	494	406	388	457	363	397	366	322	299	290	253	263	218	265	241	226	221	197	202	187	159	130
2.00	548	526	414	399	483	371	430	402	337	317	309	276	285	243	277	256	243	238	215	213	199	166	133
2.50	566	546	417	404	499	375	452	426	346	328	321	291	300	260	284	265	253	249	228	218	206	169	134
3.00	577	560	417	406	510	376	468	444	351	335	328	301	309	273	287	271	260	256	236	221	211	171	133
4.00	594	580	419	411	526	380	491	471	359	346	341	318	325	293	295	281	271	269	251	228	219	175	134
5.00	606	594	421	415	537	382	507	490	365	354	350	330	335	308	300	288	280	278	262	233	226	178	135
10.00	629	622	422	419	559	385	542	531	376	369	366	354	358	340	309	302	297	295	285	242	237	184	135
20.00	632	629	414	412	562	378	553	547	373	369	367	361	363	353	305	301	298	298	292	239	236	178	126

Working Pl.

K	8873	8773	8871	8771	7773	7771	7753	7553	7751	7551	7731	7331	7711	7111	5551	5531	5331	5511	5111	3331	3311	1111	0000
0.60	488	456	456	428	436	410	354	325	341	314	293	258	259	222	296	259	247	232	214	236	213	199	186
0.80	588	554	542	513	525	488	440	405	419	389	370	327	333	285	361	323	307	294	270	290	266	245	228
1.00	667	632	608	580	595	549	511	474	484	451	434	387	396	341	415	378	360	349	321	336	313	284	265
1.25	741	708	668	642	663	606	582	543	545	513	498	448	460	400	467	432	413	403	372	381	358	322	300
1.50	798	766	713	688	714	649	637	599	592	561	547	497	510	449	507	473	454	446	414	415	394	351	326
2.00	879	850	775	754	789	709	721	684	661	632	621	573	588	527	566	537	518	512	480	468	449	396	367
2.50	933	907	814	796	838	747	778	744	706	680	671	627	641	583	605	580	562	558	527	503	487	425	393
3.00	971	948	841	825	874	774	820	788	738	715	707	666	680	625	633	611	594	591	561	528	514	446	411
4.00	1000	1000	874	862	919	808	875	847	779	759	753	718	730	682	669	650	636	634	608	560	548	472	433
5.00	1000	1000	895	884	948	828	910	886	804	788	782	752	762	720	691	675	663	661	638	580	570	487	446
10.00	1000	1000	936	931	1000	870	988	973	858	848	845	827	833	808	739	730	722	721	707	623	617	520	473
20.00	1000	1000	958	955	1000	892	1000	1000	886	881	879	870	873	859	764	760	755	755	747	647	644	539	487

LM53 SHR C0-C180: 1.041 SHR C90-C270: 1.041 SHR Square: 1.154



Luminaire

Code PX-0124-NEG(1)
Name JUMBO

Measurem.

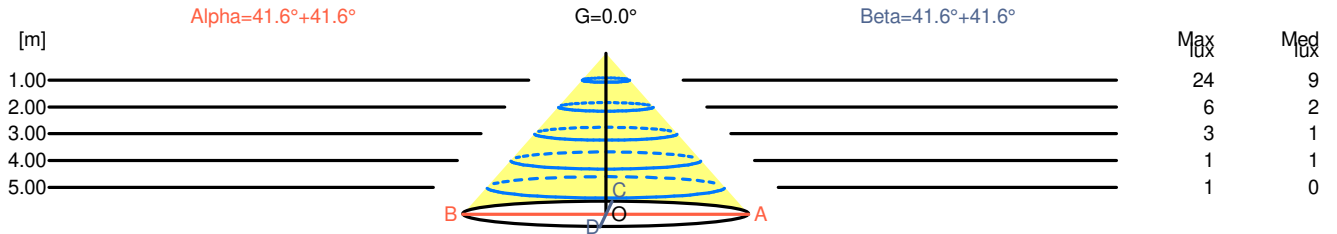
Code PX-0124-NEG
Name JUMBO

Luminaire Flux	95.62 lm	Luminaire Power	3.20 W	Efficacy	29.88 lm/W	Efficiency	100.00%
Sources Flux	95.62 lm	Maximum value	249.34 cd/klm	Position	C=0.00 G=0.00	CG	Asymmetrical

Width at 50.00 % of Max Intensity

H[m]	1.00	2.00	3.00	4.00	5.00	H[m]	1.00	2.00	3.00	4.00	5.00
OA	0.89	1.78	2.66	3.55	4.44	OC	0.89	1.78	2.66	3.55	4.44
OB	0.89	1.78	2.66	3.55	4.44	OD	0.89	1.78	2.66	3.55	4.44

	Luminous Intensities [cd/klm]									
	0	5	15	25	35	45	55	65	75	85
OA	23.84	23.57	21.52	18.11	14.32	10.75	7.57	4.68	2.06	0.24
OB	23.84	23.57	21.52	18.11	14.32	10.75	7.57	4.68	2.06	0.24
OC	23.84	23.57	21.52	18.11	14.32	10.75	7.57	4.68	2.06	0.24
OD	23.84	23.57	21.52	18.11	14.32	10.75	7.57	4.68	2.06	0.24



H[m]	D[m]	Max lux	Med lux	Alpha=41.6°+41.6°	G=0.0
1.00	1.78	24	9		
2.00	3.55	6	2		
3.00	5.33	3	1		
4.00	7.10	1	1		
5.00	8.88	1	0		

H[m]	D[m]	Max lux	Med lux	Beta=41.6°+41.6°	G=0.0
1.00	1.78	24	9		
2.00	3.55	6	2		
3.00	5.33	3	1		
4.00	7.10	1	1		
5.00	8.88	1	0		



Luminaire

Code PX-0124-NEG(1)

Name JUMBO

Measur.

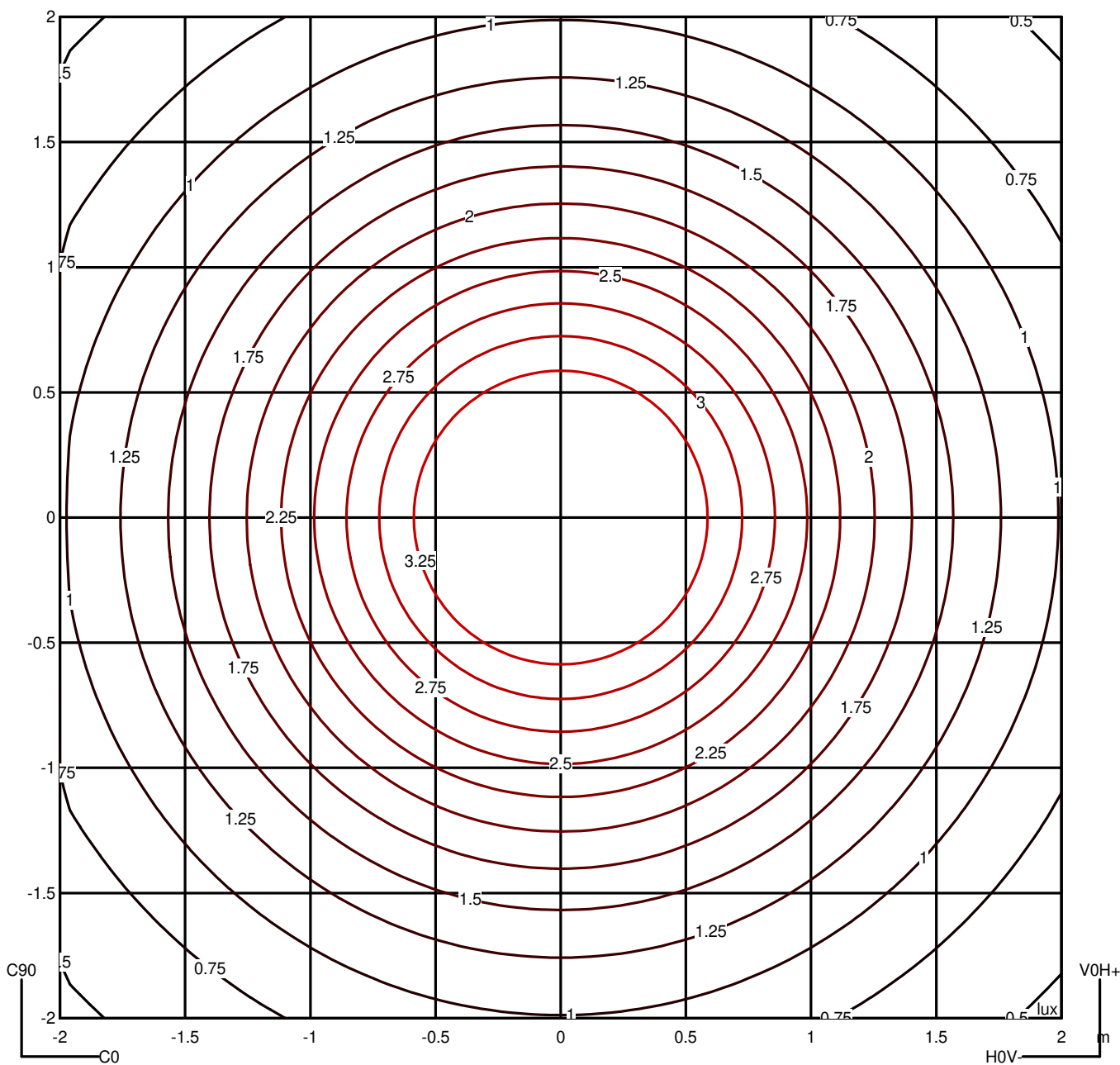
Code PX-0124-NEG

Name JUMBO

Luminaire Flux	95.62 lm	Luminaire Power	3.20 W	Efficacy	29.88 lm/W	Efficiency	100.00%
Sources Flux	95.62 lm	Maximum value	249.34 cd/klm	Position	C=0.00 G=0.00	CG	Asymmetrical

Isolux (Floor)

Luminaire position X=0.00m Y=0.00m Z=2.50m





Luminaire

Code PX-0124-NEG(1)

Name JUMBO

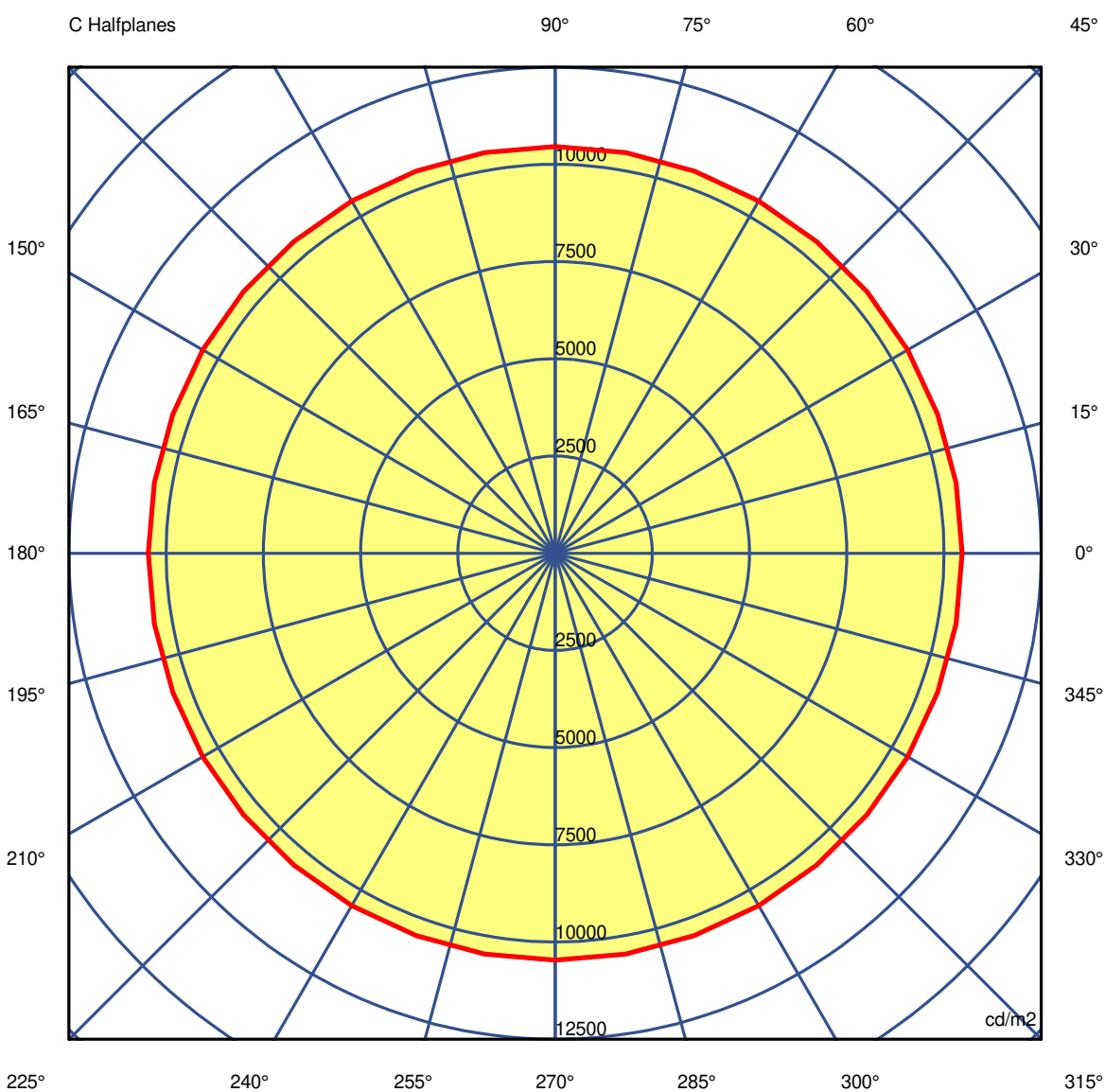
Measurem.

Code PX-0124-NEG

Name JUMBO

Luminaire Flux	95.62 lm	Luminaire Power	3.20 W	Efficacy	29.88 lm/W	Efficiency	100.00%
Sources Flux	95.62 lm	Maximum value	249.34 cd/klm	Position	C=0.00 G=0.00	CG	Asymmetrical

Luminance



45.0° ———



Luminaire

Code PX-0124-NEG(1)

Name JUMBO

Measurement

Code PX-0124-NEG

Name JUMBO

Luminaire Flux	95.62 lm	Luminaire Power	3.20 W	Efficacy	29.88 lm/W	Efficiency	100.00%
Sources Flux	95.62 lm	Maximum value	249.34 cd/klm	Position	C=0.00 G=0.00	CG	Asymmetrical

Luminance cd/m2 Table 1/3

	C 0.00	C 10.00	C 20.00	C 30.00	C 40.00	C 50.00	C 60.00	C 70.00	C 80.00	C 90.00	C 100.00	C 110.00	C 120.00
G 0.0	16417.45	16417.45	16417.45	16417.45	16417.45	16417.45	16417.45	16417.45	16417.45	16417.45	16417.45	16417.45	16417.45
G 5.0	16289.38	16289.38	16289.38	16289.38	16289.38	16289.38	16289.38	16289.38	16289.38	16289.38	16289.38	16289.38	16289.38
G 10.0	15923.85	15923.85	15923.85	15923.85	15923.85	15923.85	15923.85	15923.85	15923.85	15923.85	15923.85	15923.85	15923.85
G 15.0	15341.20	15341.20	15341.20	15341.20	15341.20	15341.20	15341.20	15341.20	15341.20	15341.20	15341.20	15341.20	15341.20
G 20.0	14598.86	14598.86	14598.86	14598.86	14598.86	14598.86	14598.86	14598.86	14598.86	14598.86	14598.86	14598.86	14598.86
G 25.0	13762.64	13762.64	13762.64	13762.64	13762.64	13762.64	13762.64	13762.64	13762.64	13762.64	13762.64	13762.64	13762.64
G 30.0	12896.70	12896.70	12896.70	12896.70	12896.70	12896.70	12896.70	12896.70	12896.70	12896.70	12896.70	12896.70	12896.70
G 35.0	12039.13	12039.13	12039.13	12039.13	12039.13	12039.13	12039.13	12039.13	12039.13	12039.13	12039.13	12039.13	12039.13
G 40.0	11222.95	11222.95	11222.95	11222.95	11222.95	11222.95	11222.95	11222.95	11222.95	11222.95	11222.95	11222.95	11222.95
G 45.0	10465.31	10465.31	10465.31	10465.31	10465.31	10465.31	10465.31	10465.31	10465.31	10465.31	10465.31	10465.31	10465.31
G 50.0	9764.96	9764.96	9764.96	9764.96	9764.96	9764.96	9764.96	9764.96	9764.96	9764.96	9764.96	9764.96	9764.96
G 55.0	9087.50	9087.50	9087.50	9087.50	9087.50	9087.50	9087.50	9087.50	9087.50	9087.50	9087.50	9087.50	9087.50
G 60.0	8395.97	8395.97	8395.97	8395.97	8395.97	8395.97	8395.97	8395.97	8395.97	8395.97	8395.97	8395.97	8395.97
G 65.0	7631.29	7631.29	7631.29	7631.29	7631.29	7631.29	7631.29	7631.29	7631.29	7631.29	7631.29	7631.29	7631.29
G 70.0	6692.90	6692.90	6692.90	6692.90	6692.90	6692.90	6692.90	6692.90	6692.90	6692.90	6692.90	6692.90	6692.90
G 75.0	5476.46	5476.46	5476.46	5476.46	5476.46	5476.46	5476.46	5476.46	5476.46	5476.46	5476.46	5476.46	5476.46
G 80.0	3831.18	3831.18	3831.18	3831.18	3831.18	3831.18	3831.18	3831.18	3831.18	3831.18	3831.18	3831.18	3831.18
G 85.0	1894.98	1894.98	1894.98	1894.98	1894.98	1894.98	1894.98	1894.98	1894.98	1894.98	1894.98	1894.98	1894.98
G 90.0	0.00	0.00	0.00	0.00	0.00	0.00	0.00	0.00	0.00	0.00	0.00	0.00	0.00



Luminaire

Code PX-0124-NEG(1)

Name JUMBO

Measurement

Code PX-0124-NEG

Name JUMBO

Luminaire Flux	95.62 lm	Luminaire Power	3.20 W	Efficacy	29.88 lm/W	Efficiency	100.00%
Sources Flux	95.62 lm	Maximum value	249.34 cd/klm	Position	C=0.00 G=0.00	CG	Asymmetrical

Luminance cd/m2 Table 2/3

	C 130.00	C 140.00	C 150.00	C 160.00	C 170.00	C 180.00	C 190.00	C 200.00	C 210.00	C 220.00	C 230.00	C 240.00	C 250.00
G 0.0	16417.45	16417.45	16417.45	16417.45	16417.45	16417.45	16417.45	16417.45	16417.45	16417.45	16417.45	16417.45	16417.45
G 5.0	16289.38	16289.38	16289.38	16289.38	16289.38	16289.38	16289.38	16289.38	16289.38	16289.38	16289.38	16289.38	16289.38
G 10.0	15923.85	15923.85	15923.85	15923.85	15923.85	15923.85	15923.85	15923.85	15923.85	15923.85	15923.85	15923.85	15923.85
G 15.0	15341.20	15341.20	15341.20	15341.20	15341.20	15341.20	15341.20	15341.20	15341.20	15341.20	15341.20	15341.20	15341.20
G 20.0	14598.86	14598.86	14598.86	14598.86	14598.86	14598.86	14598.86	14598.86	14598.86	14598.86	14598.86	14598.86	14598.86
G 25.0	13762.64	13762.64	13762.64	13762.64	13762.64	13762.64	13762.64	13762.64	13762.64	13762.64	13762.64	13762.64	13762.64
G 30.0	12896.70	12896.70	12896.70	12896.70	12896.70	12896.70	12896.70	12896.70	12896.70	12896.70	12896.70	12896.70	12896.70
G 35.0	12039.13	12039.13	12039.13	12039.13	12039.13	12039.13	12039.13	12039.13	12039.13	12039.13	12039.13	12039.13	12039.13
G 40.0	11222.95	11222.95	11222.95	11222.95	11222.95	11222.95	11222.95	11222.95	11222.95	11222.95	11222.95	11222.95	11222.95
G 45.0	10465.31	10465.31	10465.31	10465.31	10465.31	10465.31	10465.31	10465.31	10465.31	10465.31	10465.31	10465.31	10465.31
G 50.0	9764.96	9764.96	9764.96	9764.96	9764.96	9764.96	9764.96	9764.96	9764.96	9764.96	9764.96	9764.96	9764.96
G 55.0	9087.50	9087.50	9087.50	9087.50	9087.50	9087.50	9087.50	9087.50	9087.50	9087.50	9087.50	9087.50	9087.50
G 60.0	8395.97	8395.97	8395.97	8395.97	8395.97	8395.97	8395.97	8395.97	8395.97	8395.97	8395.97	8395.97	8395.97
G 65.0	7631.29	7631.29	7631.29	7631.29	7631.29	7631.29	7631.29	7631.29	7631.29	7631.29	7631.29	7631.29	7631.29
G 70.0	6692.90	6692.90	6692.90	6692.90	6692.90	6692.90	6692.90	6692.90	6692.90	6692.90	6692.90	6692.90	6692.90
G 75.0	5476.46	5476.46	5476.46	5476.46	5476.46	5476.46	5476.46	5476.46	5476.46	5476.46	5476.46	5476.46	5476.46
G 80.0	3831.18	3831.18	3831.18	3831.18	3831.18	3831.18	3831.18	3831.18	3831.18	3831.18	3831.18	3831.18	3831.18
G 85.0	1894.98	1894.98	1894.98	1894.98	1894.98	1894.98	1894.98	1894.98	1894.98	1894.98	1894.98	1894.98	1894.98
G 90.0	0.00	0.00	0.00	0.00	0.00	0.00	0.00	0.00	0.00	0.00	0.00	0.00	0.00



Luminaire

Code PX-0124-NEG(1)

Name JUMBO

Measurem.

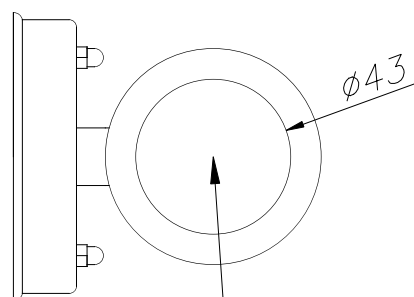
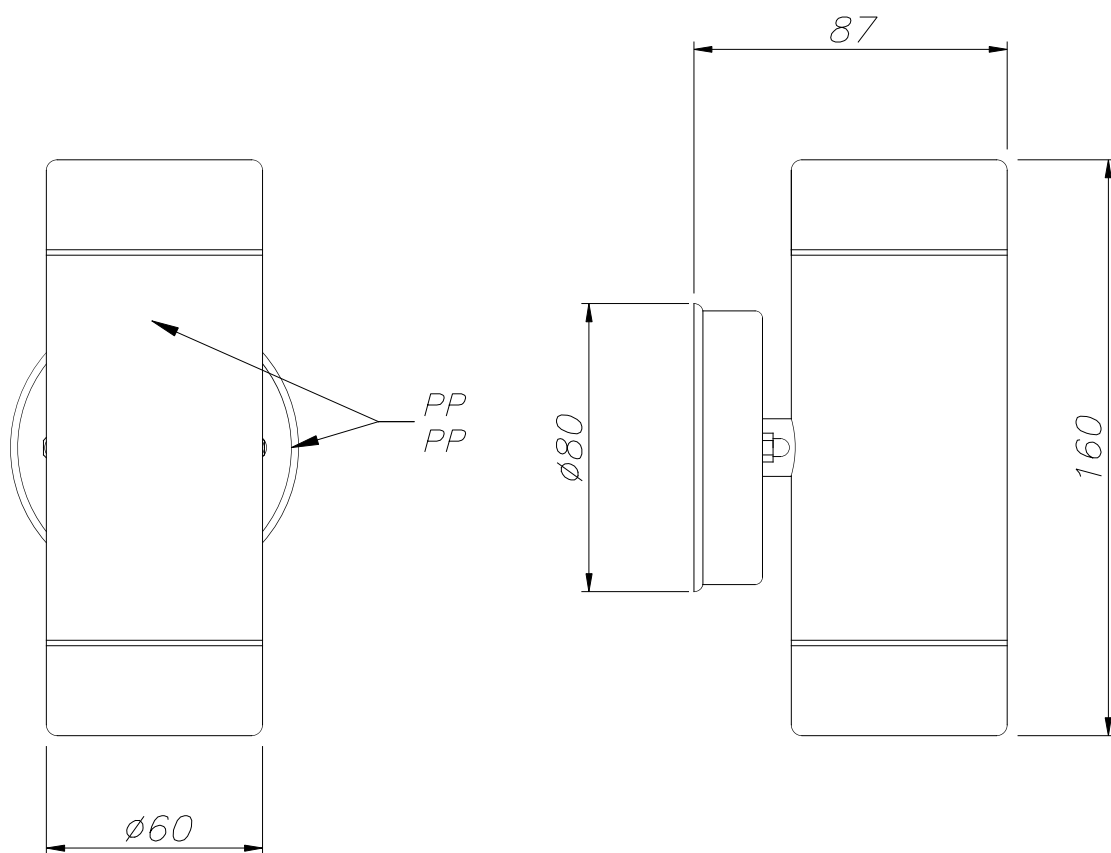
Code PX-0124-NEG

Name JUMBO

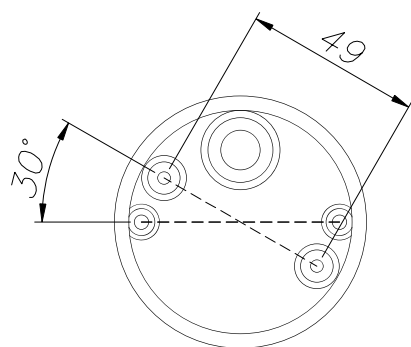
Luminaire Flux	95.62 lm	Luminaire Power	3.20 W	Efficacy	29.88 lm/W	Efficiency	100.00%
Sources Flux	95.62 lm	Maximum value	249.34 cd/klm	Position	C=0.00 G=0.00	CG	Asymmetrical

Luminance cd/m2 Table 3/3

	C 260.00	C 270.00	C 280.00	C 290.00	C 300.00	C 310.00	C 320.00	C 330.00	C 340.00	C 350.00
G 0.0	16417.45	16417.45	16417.45	16417.45	16417.45	16417.45	16417.45	16417.45	16417.45	16417.45
G 5.0	16289.38	16289.38	16289.38	16289.38	16289.38	16289.38	16289.38	16289.38	16289.38	16289.38
G 10.0	15923.85	15923.85	15923.85	15923.85	15923.85	15923.85	15923.85	15923.85	15923.85	15923.85
G 15.0	15341.20	15341.20	15341.20	15341.20	15341.20	15341.20	15341.20	15341.20	15341.20	15341.20
G 20.0	14598.86	14598.86	14598.86	14598.86	14598.86	14598.86	14598.86	14598.86	14598.86	14598.86
G 25.0	13762.64	13762.64	13762.64	13762.64	13762.64	13762.64	13762.64	13762.64	13762.64	13762.64
G 30.0	12896.70	12896.70	12896.70	12896.70	12896.70	12896.70	12896.70	12896.70	12896.70	12896.70
G 35.0	12039.13	12039.13	12039.13	12039.13	12039.13	12039.13	12039.13	12039.13	12039.13	12039.13
G 40.0	11222.95	11222.95	11222.95	11222.95	11222.95	11222.95	11222.95	11222.95	11222.95	11222.95
G 45.0	10465.31	10465.31	10465.31	10465.31	10465.31	10465.31	10465.31	10465.31	10465.31	10465.31
G 50.0	9764.96	9764.96	9764.96	9764.96	9764.96	9764.96	9764.96	9764.96	9764.96	9764.96
G 55.0	9087.50	9087.50	9087.50	9087.50	9087.50	9087.50	9087.50	9087.50	9087.50	9087.50
G 60.0	8395.97	8395.97	8395.97	8395.97	8395.97	8395.97	8395.97	8395.97	8395.97	8395.97
G 65.0	7631.29	7631.29	7631.29	7631.29	7631.29	7631.29	7631.29	7631.29	7631.29	7631.29
G 70.0	6692.90	6692.90	6692.90	6692.90	6692.90	6692.90	6692.90	6692.90	6692.90	6692.90
G 75.0	5476.46	5476.46	5476.46	5476.46	5476.46	5476.46	5476.46	5476.46	5476.46	5476.46
G 80.0	3831.18	3831.18	3831.18	3831.18	3831.18	3831.18	3831.18	3831.18	3831.18	3831.18
G 85.0	1894.98	1894.98	1894.98	1894.98	1894.98	1894.98	1894.98	1894.98	1894.98	1894.98
G 90.0	0.00	0.00	0.00	0.00	0.00	0.00	0.00	0.00	0.00	0.00

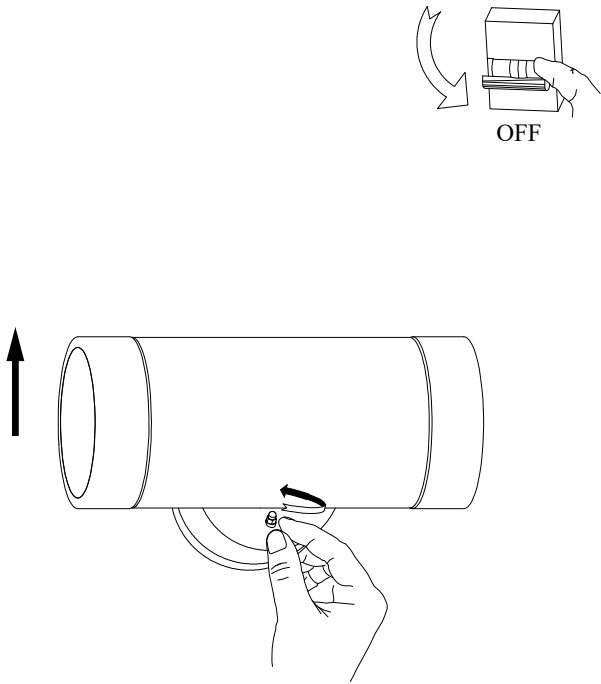


ACRILICO BANCO OPAL
OPAL WHITE ACRYLIC

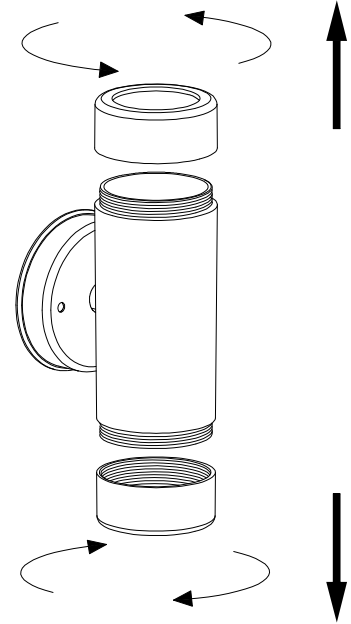


PLANTILLA DE INSTALACIÓN
INSTALLATION TEMPLATE

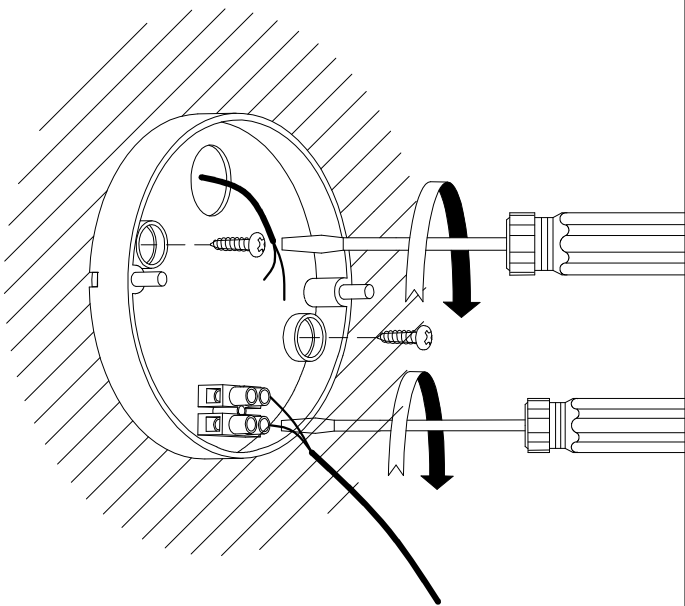
①



②



③



④

