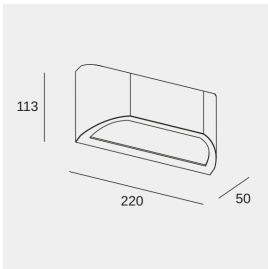


PX-0514-ANT

Superficie de Pared IP65 Dual LED 4.4W TW RGB-2700-6000K Light For Life Gris urbano

CARACTERÍSTICAS TÉCNICAS



IP65 IK10



Potencia total luminaria : 4.4W

Lúmenes reales : 49 (4000K)

Lm / W reales : 11

Temperatura de color correlacionada (CCT) : TW
RGB-2700-6000K

Material de la estructura : Policarbonato + ABS

Acabado estructura : Gris urbano

Material del difusor : Policarbonato

Acabado difusor : Matizado

Voltaje / Frecuencia : 220-240V/50-60Hz

Protocolo de regulación : Light For Life

Power Factor : 0.50

Vida útil : 36.000h L70B30

Garantía : 2 Años

Resistencia ambientes marinos : No

CARACTERÍSTICAS LUMINOTÉCNICAS

TM30 RG: 96

TM30 RF: 87

CRI: 80

MacAdam steps: 3

Riesgo fotobiológico: RG0

Portalámparas	Cantidad	Potencia fuente de luz (W)
LED	1	4W

LOGÍSTICA

Peso neto (Kg): 0.3

Peso embalado (Kg): 0.36

Embalaje: 225mm x 55mm x 118mm



12 Un

LEDS C4⁺

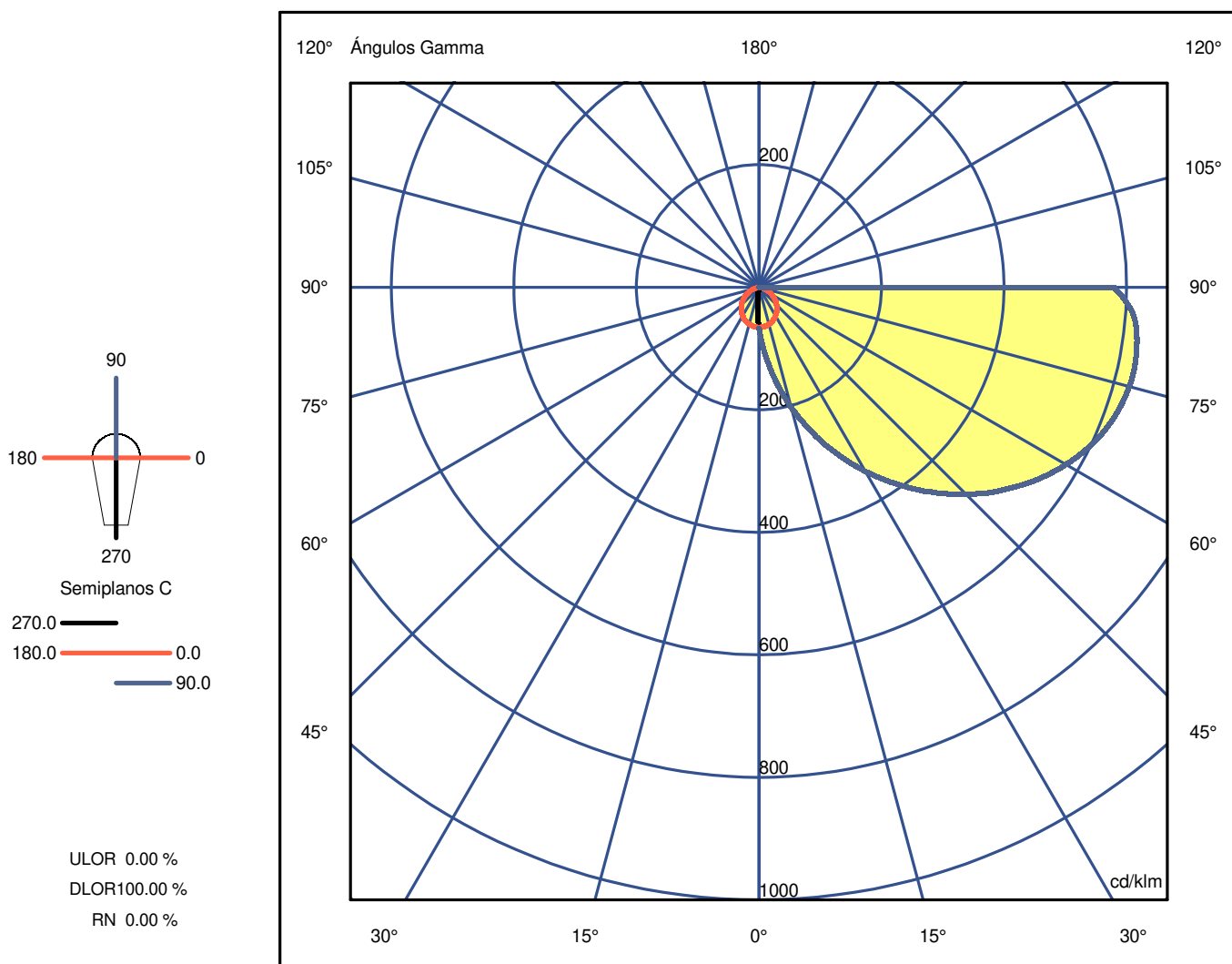
Luminaria

Código PX-0514-ANT
 Nombre DUAL
Ensayo
 Código PX-0514-ANT
 Nombre DUAL

Flujo Luminaria	49 lm	Potencia Luminaria	2.6 W	Eficacia	18.685 lm/W	Eficiencia	100.00%
Flujo Fuente	49 lm	Valor Máximo	626.57 cd/klm	Posición	C=90.00 G=77.00	CG	Sim. en los planos 270-90
Luminaria Rectangular	Longit.	50 mm	Anchura	220 mm	Altura	110 mm	
Área Luminosa Rectangular	Longit.	33 mm	Anchura	85 mm	Altura	0 mm	
Área Luminosa Horizontal		0.002805 m2		Área Emisión sobre Pl. 180°		0.000000 m2	
Área Emisión sobre Pl. 0°		0.000000 m2		Área Emisión sobre Pl. 270°		0.000000 m2	
Área Emisión sobre Pl. 90°		0.000000 m2		Área de deslumbramiento a 76°		0.000679 m2	
Sist. de Coorden.	CG viales		Tipo de Simetría		Sim. en los planos 270-90		
Fecha	24-02-2022		Máximo Ángulo Gamma		90		
Distancia de Ensayo	0.00		Flujo de Ensayo		49 lm		
Operador	qualitat		Tensión Nominal				
Temperatura			Corriente Nominal				
Humedad			Fotocélula				
Notas							

Fuentes de luz de la Luminaria

Familia	Código LED	Nombre LED	Flujo [lm]	Pot. [W]	Cant.
C.I.E.	18 44 72 100 100	D DIN 5040	48.58	2.60	1
			A10		



LEDS C4⁺

Luminaria

Código PX-0514-ANT
Nombre DUAL

Ensayo

Código PX-0514-ANT
Nombre DUAL

Flujo Luminaria	49 lm	Potencia Luminaria	2.6 W	Eficacia	18.685 lm/W	Eficiencia	100.00%
Flujo Fuente	49 lm	Valor Máximo	626.57 cd/klm	Posición	C=90.00 G=77.00	CG Sim. en los planos 270-90	

Tabla de Intensidad Luminosa cd/klm Tabla 1/2

	C 270.00	C 285.00	C 300.00	C 315.00	C 330.00	C 345.00	C 0.00	C 15.00	C 30.00	C 45.00	C 60.00	C 75.00	C 90.00
G 0.0	66.92	66.92	66.92	66.92	66.92	66.92	66.92	66.92	66.92	66.92	66.92	66.92	66.92
G 1.0	58.58	59.54	59.71	61.23	62.79	64.95	65.35	68.93	70.59	72.69	73.32	75.16	74.28
G 2.0	50.94	52.89	52.90	56.56	58.49	63.10	65.28	71.17	74.19	78.92	79.88	83.33	82.08
G 3.0	43.78	45.19	46.73	50.62	55.01	60.94	65.15	72.92	78.54	84.60	87.72	91.58	91.12
G 4.0	36.92	38.87	40.60	45.77	50.96	58.78	65.05	75.22	82.56	90.50	94.78	99.64	99.37
G 5.0	30.07	32.23	34.49	40.76	47.34	56.75	64.90	77.11	86.57	96.84	102.72	108.73	108.64
G 6.0	24.19	26.38	29.09	35.99	43.70	54.42	64.77	79.16	90.97	102.23	110.16	116.52	117.48
G 7.0	17.79	20.38	23.30	31.36	39.93	52.60	64.60	81.15	94.72	109.22	118.03	126.16	126.69
G 8.0	12.89	14.81	18.49	26.53	36.68	50.31	64.44	83.03	99.43	114.51	125.97	134.24	136.05
G 9.0	7.99	9.77	13.55	22.54	32.91	48.51	64.20	85.10	103.07	121.74	133.48	144.23	145.11
G 10.0	3.09	5.28	9.10	17.79	29.90	46.45	63.99	86.77	107.77	127.23	141.91	152.69	154.82
G 11.0	1.92	2.01	4.65	14.21	26.26	44.46	63.62	88.91	111.61	134.37	149.35	162.36	163.98
G 12.0	1.93	1.89	2.01	9.88	23.32	42.40	63.37	90.45	116.06	140.38	158.00	171.51	174.11
G 13.0	1.94	1.88	1.81	6.54	19.97	40.21	62.96	92.55	120.20	146.80	165.63	180.46	183.20
G 14.0	1.94	1.89	1.81	4.17	16.96	38.24	62.65	94.12	124.23	153.24	174.26	190.21	193.28
G 15.0	1.95	1.89	1.81	1.81	14.02	35.95	62.19	96.04	128.57	159.04	182.03	198.59	202.68
G 16.0	1.95	1.90	1.81	1.75	11.24	34.22	61.85	97.68	132.14	165.80	190.31	208.50	212.44
G 17.0	1.97	1.89	1.82	1.75	8.53	32.01	61.42	99.47	136.79	171.32	198.47	216.75	222.19
G 18.0	1.96	1.91	1.81	1.74	5.83	30.33	61.03	101.39	140.27	178.69	206.30	227.21	231.64
G 19.0	1.97	1.92	1.82	1.74	3.67	28.24	60.59	102.79	145.01	184.02	214.91	235.64	241.61
G 20.0	1.97	1.92	1.83	1.75	2.03	26.46	60.07	104.66	148.65	191.27	222.38	245.80	250.96
G 21.0	1.98	1.94	1.83	1.75	1.71	24.45	59.58	105.92	153.01	196.96	231.24	254.69	261.31
G 22.0	1.99	1.94	1.83	1.75	1.71	22.48	58.95	107.71	156.83	203.67	238.67	264.18	270.46
G 23.0	1.99	1.97	1.84	1.75	1.71	20.63	58.36	108.96	160.45	209.75	247.05	273.46	280.36
G 24.0	1.98	1.97	1.85	1.76	1.72	18.58	57.73	110.52	164.46	215.49	254.45	281.98	289.51
G 25.0	1.96	1.99	1.85	1.77	1.71	17.00	57.07	111.83	167.82	221.79	262.46	291.46	299.07
G 26.0	1.94	2.00	1.87	1.77	1.72	15.01	56.45	113.28	172.11	227.08	270.27	299.56	308.49
G 27.0	1.96	2.02	1.87	1.78	1.72	13.48	55.75	114.79	175.27	233.79	278.03	309.62	317.90
G 28.0	1.96	2.03	1.89	1.78	1.73	11.59	55.20	115.96	179.67	238.95	286.20	317.70	327.75
G 29.0	1.96	2.04	1.89	1.79	1.74	10.00	54.47	117.45	182.90	245.65	293.60	327.65	337.02
G 30.0	1.98	2.05	1.91	1.80	1.74	8.26	53.85	118.37	186.89	250.87	301.83	336.06	346.84
G 31.0	1.98	2.06	1.91	1.81	1.75	6.62	52.93	119.69	190.23	257.08	308.67	345.29	355.70
G 32.0	1.99	2.08	1.92	1.82	1.76	5.08	52.14	120.56	193.37	262.23	316.57	353.99	365.08
G 33.0	2.01	2.09	1.93	1.84	1.77	3.71	51.20	121.73	196.77	267.80	323.51	362.40	373.64
G 34.0	2.01	2.10	1.93	1.84	1.78	2.61	50.44	122.52	199.55	273.33	330.86	370.57	382.97
G 35.0	2.02	2.10	1.94	1.85	1.80	1.97	49.65	123.61	203.35	278.33	338.20	378.74	391.98
G 36.0	2.01	2.11	1.95	1.87	1.81	1.75	48.95	124.66	206.06	284.24	345.26	387.76	401.05
G 37.0	2.02	2.10	1.95	1.88	1.82	1.74	48.12	125.40	209.86	288.91	352.83	395.55	410.41
G 38.0	1.99	2.11	1.95	1.88	1.83	1.76	47.30	126.39	212.50	294.52	359.62	404.55	418.78
G 39.0	1.98	2.08	1.96	1.89	1.85	1.76	46.37	126.97	215.67	299.03	366.95	412.47	428.17
G 40.0	1.93	2.06	1.97	1.91	1.86	1.78	45.36	127.83	218.40	304.56	373.12	421.03	436.04
G 41.0	1.90	2.03	1.98	1.92	1.87	1.79	44.36	128.22	220.83	308.95	380.17	428.63	444.57
G 42.0	1.85	1.98	1.96	1.93	1.88	1.80	43.33	128.87	223.70	313.96	386.25	436.81	452.92
G 43.0	1.80	1.94	1.94	1.94	1.89	1.81	42.41	129.23	225.79	318.47	393.14	444.36	461.53
G 44.0	1.76	1.88	1.91	1.94	1.89	1.82	41.50	129.79	228.75	322.66	399.32	451.79	469.56
G 45.0	1.70	1.85	1.87	1.95	1.88	1.82	40.58	130.21	230.81	327.33	405.58	459.62	477.69
G 46.0	1.59	1.79	1.85	1.95	1.89	1.82	39.63	130.63	233.63	331.33	411.95	466.54	485.85
G 47.0	1.47	1.70	1.80	1.95	1.88	1.83	38.67	130.94	235.76	336.17	417.74	474.12	493.34
G 48.0	1.46	1.57	1.77	1.93	1.88	1.82	37.57	131.17	238.09	339.78	424.07	481.07	501.59
G 49.0	1.43	1.56	1.72	1.91	1.87	1.82	36.48	131.37	239.97	343.93	429.31	488.42	508.56
G 50.0	1.43	1.53	1.64	1.87	1.87	1.81	35.33	131.37	241.66	347.51	435.23	495.16	515.53
G 51.0	1.43	1.53	1.57	1.84	1.85	1.81	34.28	131.40	243.62	351.21	440.17	501.76	522.34
G 52.0	1.43	1.53	1.55	1.81	1.84	1.80	33.17	131.29	245.07	354.72	445.59	508.25	529.40
G 53.0	1.44	1.54	1.54	1.77	1.83	1.79	32.16	131.27	247.07	358.12	450.78	514.25	536.20
G 54.0	1.46	1.56	1.53	1.73	1.82	1.78	31.08	131.13	248.29	361.42	455.71	520.54	542.83
G 55.0	1.49	1.56	1.53	1.68	1.81	1.76	30.02	130.97	249.95	364.37	460.72	526.40	549.71
G 56.0	1.51	1.59	1.52	1.62	1.79	1.74	28.93	130.81	251.14	367.69	465.10	532.48	555.70
G 57.0	1.52	1.60	1.53	1.58	1.78	1.73	27.82	130.48	252.45	370.18	469.75	538.14	562.23
G 58.0	1.55	1.63	1.52	1.57	1.75	1.71	26.68	130.21	253.72	373.28	473.89	543.64	567.40
G 59.0	1.58	1.65	1.53	1.56	1.74	1.70	25.51	129.62	254.57	375.61	478.03	548.66	573.13
G 60.0	1.54	1.67	1.51	1.54	1.71	1.68	24.37	129.19	255.52	378.12	481.77	553.53	578.55
G 61.0	1.52	1.65	1.52	1.53	1.69	1.66	23.18	128.54	256.03	380.24	485.36	558.30	583.70
G 62.0	1.43	1.60	1.53	1.51	1.67	1.64	22.13	128.00	256.87	382.42	488.81	562.42	588.72
G 63.0	1.31	1.51	1.52	1.51	1.64	1.63	20.98	127.26	257.41	384.35	491.95	566.99	593.30
G 64.0	1.21	1.39	1.52	1.50	1.60	1.61	19.88	126.60	258.01	386.05	495.17	570.62	597.36
G 65.0	1.13	1.30	1.49	1.49	1.56	1.59	18.74	125.87	258.39	387.70	497.87	574.33	601.73
G 66.0	1.13	1.22	1.45	1.49	1.54	1.57	17.58	125.06	258.58	389.12	500.69	577.86	605.45
G 67.0	1.17	1.24	1.40	1.49	1.52	1.55	16.41	124.11	258.72	390.32	502.87	581.04	608.96
G 68.0	1.19	1.24	1.36	1.50	1.49	1.52	15.23	123.19	258.67	391.35	504.81	583.58	612.15
G 69.0	1.20	1.25	1.32	1.52	1.45	1.50	14.09	122.19	258.64	392.29	506.68	586.36	615.13
G 70.0	1.23	1.24	1.30	1.53	1.44	1.47	12.91	121.00	258.40	392.93	508.34	588.87	617.67
G 71.0	1.22	1.23	1.29	1.55	1.42	1.45	11.80	119.95	258.14	393.44	509.57	590.40	619.82
G 72.0	1.22	1.22	1.28	1.56	1.40	1.42	10.67	118.67	257.55	393.90	510.50	592.20	621.74

LEDS C4[®]

Luminaria

Código PX-0514-ANT

Nombre DUAL

Ensayo

Código PX-0514-ANT

Nombre DUAL

Flujo Luminaria	49 lm	Potencia Luminaria	2.6 W	Eficacia	18.685 lm/W	Eficiencia	100.00%
Flujo Fuente	49 lm	Valor Máximo	626.57 cd/klm	Posición	C=90.00 G=77.00	CG	Sim. en los planos 270-90

Tabla de Intensidad Luminosa cd/klm

Tabla 2/2

	C 270.00	C 285.00	C 300.00	C 315.00	C 330.00	C 345.00	C 0.00	C 15.00	C 30.00	C 45.00	C 60.00	C 75.00	C 90.00
G 73.0	1.21	1.21	1.23	1.58	1.37	1.39	9.58	117.41	257.10	394.06	511.36	593.35	623.24
G 74.0	1.18	1.19	1.19	1.60	1.34	1.35	8.51	116.18	256.42	394.12	512.00	594.47	624.37
G 75.0	1.19	1.16	1.17	1.61	1.32	1.32	7.41	114.86	255.55	393.89	512.05	595.32	625.58
G 76.0	1.19	1.18	1.14	1.63	1.30	1.29	6.32	113.48	254.68	393.47	512.21	595.73	626.43
G 77.0	1.21	1.18	1.15	1.60	1.29	1.26	5.22	111.97	253.66	392.90	512.38	596.06	626.57
G 78.0	1.23	1.20	1.16	1.58	1.28	1.24	4.26	110.48	252.49	392.27	511.97	595.83	626.54
G 79.0	1.29	1.24	1.18	1.57	1.28	1.21	3.28	108.88	251.16	391.32	511.41	595.48	626.25
G 80.0	1.33	1.28	1.21	1.58	1.29	1.19	2.38	107.41	249.96	390.25	510.32	594.48	625.58
G 81.0	1.38	1.33	1.24	1.58	1.29	1.17	1.61	105.73	248.47	389.06	509.15	593.30	624.23
G 82.0	1.43	1.37	1.26	1.57	1.30	1.16	1.08	104.07	246.89	387.33	507.43	591.57	622.81
G 83.0	1.50	1.43	1.29	1.57	1.33	1.16	0.82	102.40	245.17	385.36	505.50	589.61	620.87
G 84.0	1.54	1.48	1.33	1.58	1.41	1.18	0.76	100.57	243.39	383.29	503.30	587.05	618.77
G 85.0	1.59	1.55	1.37	1.61	1.53	1.21	0.72	98.83	241.39	380.96	500.71	584.20	615.99
G 86.0	1.64	1.59	1.44	1.58	1.55	1.21	0.72	97.02	239.10	378.45	497.91	580.29	611.48
G 87.0	1.68	1.62	1.44	1.54	1.57	1.21	0.70	95.17	236.53	375.24	493.68	573.70	605.34
G 88.0	1.72	1.65	1.45	1.50	1.61	1.21	0.69	93.32	233.85	372.13	488.33	566.09	597.61
G 89.0	1.76	1.70	1.48	1.52	1.63	1.21	0.65	91.36	231.17	368.73	482.43	557.30	588.75
G 90.0	1.80	1.74	1.52	1.58	1.49	1.10	0.53	89.37	228.46	365.68	476.61	547.90	579.27

LEDS C4[®]

Luminaria

Código PX-0514-ANT

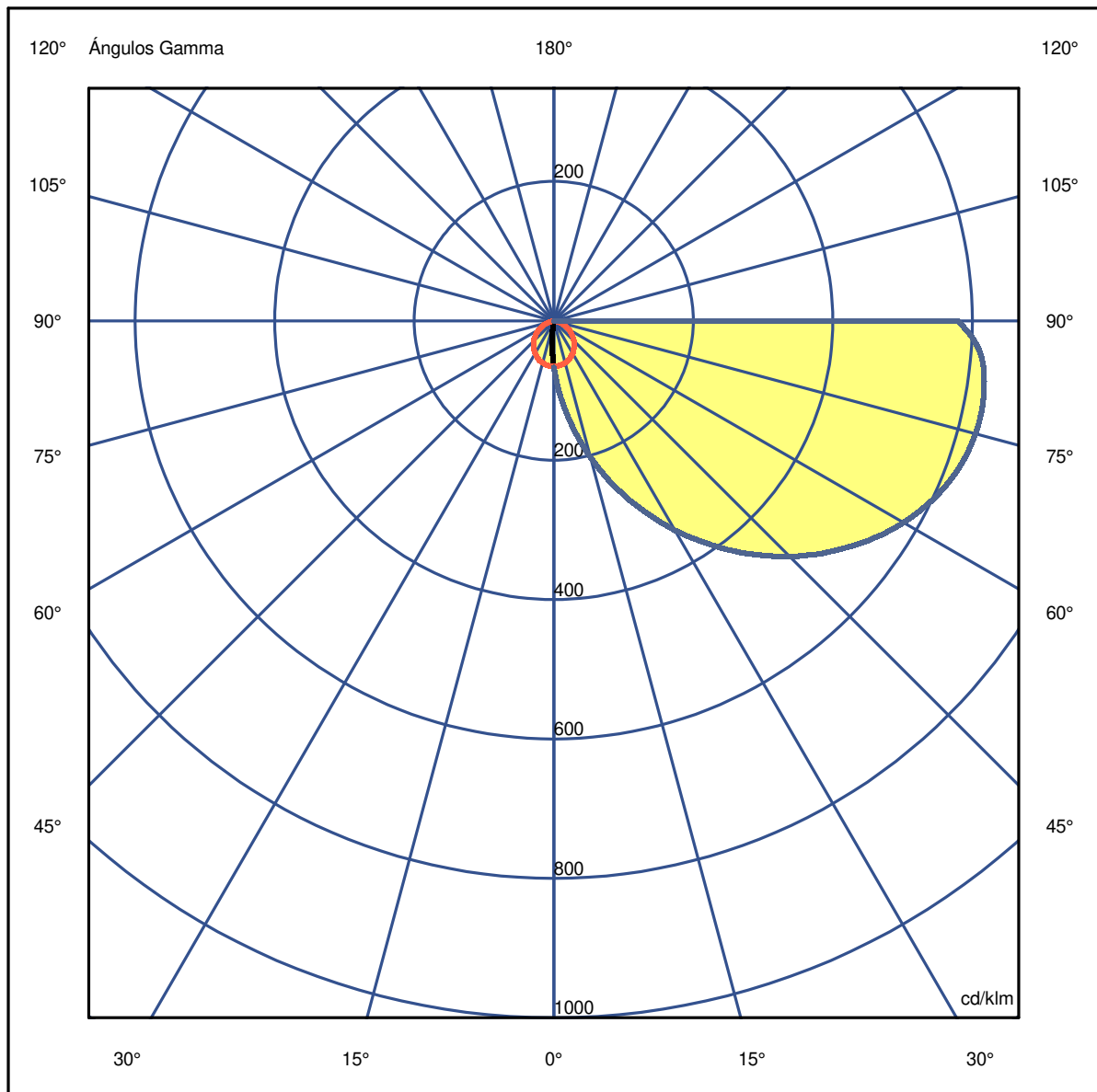
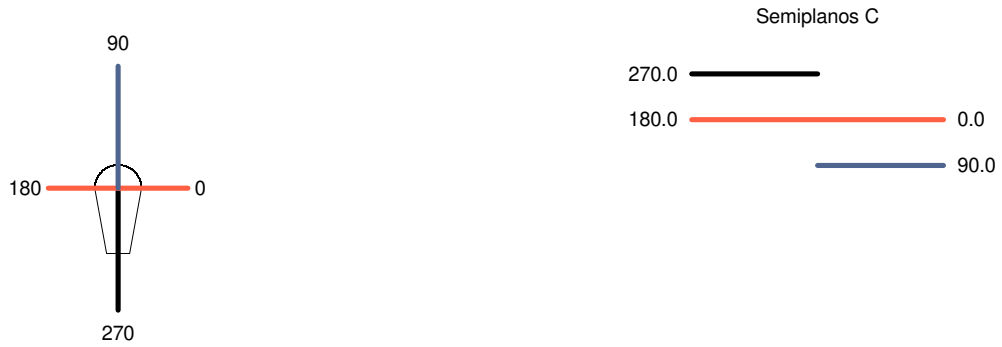
Nombre DUAL

Ensayo

Código PX-0514-ANT

Nombre DUAL

Flujo Luminaria	49 lm	Potencia Luminaria	2.6 W	Eficacia	18.685 lm/W	Eficiencia	100.00%
Flujo Fuente	49 lm	Valor Máximo	626.57 cd/klm	Posición	C=90.00 G=77.00	CG	Sim. en los planos 270-90



LEDS C4[®]

Luminaria

Código PX-0514-ANT

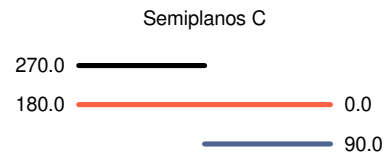
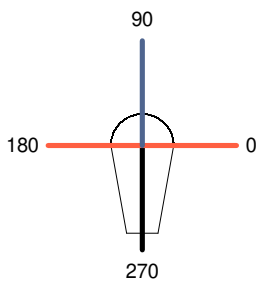
Nombre DUAL

Ensayo

Código PX-0514-ANT

Nombre DUAL

Flujo Luminaria	49 lm	Potencia Luminaria	2.6 W	Eficacia	18.685 lm/W	Eficiencia	100.00%
Flujo Fuente	49 lm	Valor Máximo	626.57 cd/klm	Posición	C=90.00 G=77.00	CG	Sim. en los planos 270-90



LEDS C4[®]

Luminaria

Código PX-0514-ANT

Nombre DUAL

Ensayo

Código PX-0514-ANT

Nombre DUAL

Flujo Luminaria	49 lm	Potencia Luminaria	2.6 W	Eficacia	18.685 lm/W	Eficiencia	100.00%
Flujo Fuente	49 lm	Valor Máximo	626.57 cd/klm	Posición	C=90.00 G=77.00	CG	Sim. en los planos 270-90

UGR
S = 0.250

Reflectancias										
Techo/Cavidad	0.7	0.7	0.5	0.5	0.3	0.7	0.7	0.5	0.5	0.3
Paredes	0.5	0.3	0.5	0.3	0.3	0.5	0.3	0.5	0.3	0.3
PDT	0.2	0.2	0.2	0.2	0.2	0.2	0.2	0.2	0.2	0.2
Dimensiones del Local										
	Vista Lateral					Vista Longitudinal				
x=2H y=2H	16.2	18.1	16.6	18.3	18.6	< 0	< 0	< 0	< 0	< 0
x=2H y=3H	17.7	19.4	18.0	19.7	20.0	< 0	< 0	< 0	< 0	< 0
x=2H y=4H	18.2	19.9	18.6	20.2	20.5	< 0	< 0	< 0	< 0	< 0
x=2H y=6H	18.5	20.1	18.9	20.4	20.8	< 0	< 0	< 0	< 0	< 0
x=2H y=8H	18.6	20.1	19.0	20.5	20.8	< 0	< 0	< 0	< 0	< 0
x=2H y=12H	18.6	20.1	19.0	20.4	20.8	< 0	< 0	< 0	< 0	< 0
x=4H y=2H	20.2	21.8	20.6	22.1	22.5	< 0	< 0	< 0	< 0	< 0
x=4H y=3H	22.2	23.7	22.6	24.0	24.4	< 0	< 0	< 0	< 0	< 0
x=4H y=4H	23.1	24.5	23.5	24.9	25.2	< 0	< 0	< 0	< 0	< 0
x=4H y=6H	23.8	25.0	24.2	25.4	25.9	< 0	< 0	< 0	< 0	< 0
x=4H y=8H	24.0	25.2	24.5	25.6	26.0	< 0	< 0	< 0	< 0	< 0
x=4H y=12H	24.1	25.2	24.6	25.7	26.1	< 0	< 0	< 0	< 0	< 0
x=8H y=4H	26.2	27.3	26.6	27.8	28.2	< 0	< 0	< 0	< 0	< 0
x=8H y=6H	27.5	28.5	28.0	29.0	29.4	< 0	< 0	< 0	< 0	< 0
x=8H y=8H	28.1	29.0	28.6	29.5	30.0	< 0	< 0	< 0	< 0	< 0
x=8H y=12H	28.5	29.3	29.0	29.8	30.3	< 0	< 0	< 0	< 0	0.0
x=12H y=4H	27.1	28.2	27.6	28.7	29.1	< 0	< 0	< 0	< 0	< 0
x=12H y=6H	28.9	29.8	29.4	30.3	30.8	< 0	< 0	< 0	< 0	< 0
x=12H y=8H	29.7	30.6	30.2	31.0	31.6	< 0	< 0	< 0	< 0	< 0

LEDS C4⁺

Luminaria

Código PX-0514-ANT
 Nombre DUAL
 Ensayo
 Código PX-0514-ANT
 Nombre DUAL

Flujo Luminaria	49 lm	Potencia Luminaria	2.6 W	Eficacia	18.685 lm/W	Eficiencia	100.00%
Flujo Fuente	49 lm	Valor Máximo	626.57 cd/klm	Posición	C=90.00 G=77.00	CG	Sim. en los planos 270-90

Flujo Total= 48.58 Flujo Luminaria= 48.58

RI	0.60	0.80	1.00	1.25	1.50	2.00	2.50	3.00	4.00	5.00	10.00	20.00
DRR	0.11	0.16	0.21	0.27	0.32	0.41	0.47	0.52	0.60	0.65	0.78	0.87
RC	10	10	10	10	10	10	10	10	10	10	10	10

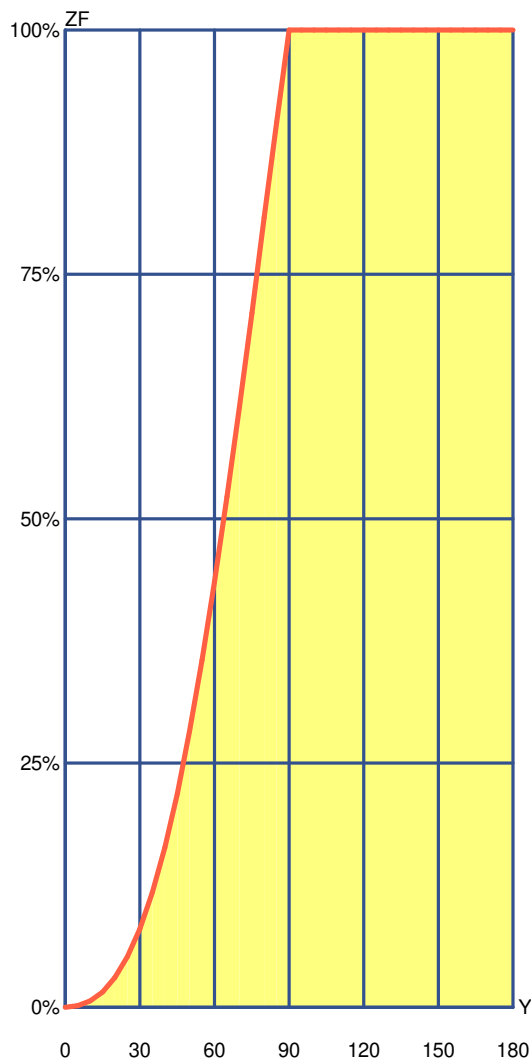
Flujo Zonal por 1000 Lúmenes

Y°	10	20	30	40	50	60	70	80	90	100	110	120	130	140	150	160	170	180
ZF(Y)	7	30	80	163	282	435	615	808	1000	1000	1000	1000	1000	1000	1000	1000	1000	1000

Códigos de Flujo C.I.E.
 18 44 72 100 100

C.I.E. 10
 D DIN 5040 A10
 F UTE 1.00 J
 B NBN BZ 9
 RN 0.00000 %
 BLF 1.0

LOR 100.00000 %
 ULOR 0.00000 %
 DLOR 100.00000 %
 UFF 0.00000 %
 DFF 100.00000 %
 FFR 0.00000 %



Flujo Zonal				
Gamma °	Flujo	Suma lm	Flujo [%]	Suma [%]
0°	0.00	0.00	0.00%	0.00%
5°	1.61	1.61	0.16%	0.16%
10°	5.02	6.64	0.50%	0.66%
15°	9.15	15.79	0.92%	1.58%
20°	14.58	30.37	1.46%	3.04%
25°	21.21	51.58	2.12%	5.16%
30°	28.78	80.36	2.88%	8.04%
35°	37.06	117.42	3.71%	11.74%
40°	45.92	163.34	4.59%	16.33%
45°	55.01	218.35	5.50%	21.84%
50°	64.02	282.37	6.40%	28.24%
55°	72.53	354.89	7.25%	35.49%
60°	80.35	435.25	8.04%	43.52%
65°	87.03	522.28	8.70%	52.23%
70°	92.31	614.59	9.23%	61.46%
75°	95.88	710.47	9.59%	71.05%
80°	97.62	808.09	9.76%	80.81%
85°	97.41	905.50	9.74%	90.55%
90°	94.50	1000.00	9.45%	100.00%
95°	0.00	1000.00	0.00%	100.00%
100°	0.00	1000.00	0.00%	100.00%
105°	0.00	1000.00	0.00%	100.00%
110°	0.00	1000.00	0.00%	100.00%
115°	0.00	1000.00	0.00%	100.00%
120°	0.00	1000.00	0.00%	100.00%
125°	0.00	1000.00	0.00%	100.00%
130°	0.00	1000.00	0.00%	100.00%
135°	0.00	1000.00	0.00%	100.00%
140°	0.00	1000.00	0.00%	100.00%
145°	0.00	1000.00	0.00%	100.00%
150°	0.00	1000.00	0.00%	100.00%
155°	0.00	1000.00	0.00%	100.00%
160°	0.00	1000.00	0.00%	100.00%
165°	0.00	1000.00	0.00%	100.00%
170°	0.00	1000.00	0.00%	100.00%
175°	0.00	1000.00	0.00%	100.00%
180°	0.00	1000.00	0.00%	100.00%

LEDS C4⁺

Luminaria

Código PX-0514-ANT
Nombre DUAL

Ensayo

Código PX-0514-ANT
Nombre DUAL

Flujo Luminaria	49 lm	Potencia Luminaria	2.6 W	Eficacia	18.685 lm/W	Eficiencia	100.00%
Flujo Fuente	49 lm	Valor Máximo	626.57 cd/klm	Posición	C=90.00 G=77.00	CG	Sim. en los planos 270-90

Utilización CIE

Montaje	Directo	Normalización										Normalizados			Raz. de Susp. 1/3			CIE Estándar						
Techo																								
K	8873	8773	8871	8771	7773	7771	7753	7553	7751	7551	7731	7331	7711	7111	5551	5531	5331	5511	5111	3331	3311	1111	0000	
0.60	244	219	209	189	208	180	120	102	105	89	53	40	17	11	83	43	38	14	11	36	11	10	0	
0.80	286	262	233	214	249	205	150	131	124	109	66	52	22	16	102	55	49	19	15	47	16	14	0	
1.00	315	293	244	228	278	218	174	156	136	122	75	61	27	21	114	63	58	23	20	55	20	18	0	
1.25	339	319	249	236	304	226	198	180	145	133	82	70	32	26	125	72	67	28	25	63	25	23	0	
1.50	355	338	248	238	322	229	217	200	150	139	88	77	37	31	132	78	73	33	29	70	30	27	0	
2.00	375	361	242	234	344	226	245	229	155	146	95	86	45	39	138	86	82	41	37	78	38	35	0	
2.50	386	374	233	227	357	220	265	251	155	148	100	91	52	46	141	91	87	48	44	84	44	41	0	
3.00	393	383	225	220	366	214	280	267	154	148	102	95	57	51	142	95	91	53	49	88	49	46	0	
4.00	401	393	211	207	376	202	300	290	151	147	106	100	65	60	141	99	96	61	58	93	58	54	0	
5.00	405	398	200	197	381	193	314	305	148	145	108	103	70	66	139	102	99	67	64	96	63	60	0	
10.00	408	405	169	168	388	165	345	339	137	135	110	108	85	82	131	106	105	82	80	102	79	76	0	
20.00	406	404	146	146	388	144	362	359	127	126	110	109	95	93	123	107	106	92	91	104	89	87	0	

Pared

K	8873	8773	8871	8771	7773	7771	7753	7553	7751	7551	7731	7331	7711	7111	5551	5531	5331	5511	5111	3331	3311	1111	0000
0.60	557	543	513	503	536	497	422	414	401	394	336	331	289	288	391	332	330	288	287	329	287	287	268
0.80	655	641	594	584	630	576	513	503	481	473	412	406	361	359	468	407	404	359	358	402	358	357	335
1.00	734	720	657	648	706	639	589	578	546	538	477	470	423	420	531	470	467	421	419	464	419	418	393
1.25	813	800	720	712	783	701	668	657	613	606	544	537	489	486	597	536	533	486	484	529	484	482	454
1.50	878	865	771	763	847	753	735	724	668	661	601	594	546	542	651	592	589	543	541	585	540	537	507
2.00	976	965	846	840	943	829	840	828	753	747	690	684	637	633	735	680	678	632	630	672	629	626	592
2.50	1000	1000	904	899	1000	888	921	910	819	814	760	754	709	705	801	749	747	704	702	740	699	696	659
3.00	1000	1000	951	948	1000	936	987	977	873	869	818	813	769	765	855	807	805	764	761	797	758	754	715
4.00	1000	1000	1000	1000	1000	1000	1000	1000	960	957	911	907	867	863	943	899	898	860	858	889	854	849	807
5.00	1000	1000	1000	1000	1000	1000	1000	1000	1000	1000	985	981	945	941	1000	973	972	937	935	962	930	924	880
10.00	1000	1000	1000	1000	1000	1000	1000	1000	1000	1000	1000	1000	1000	1000	1000	1000	1000	1000	1000	1000	1000	1000	1000
20.00	1000	1000	1000	1000	1000	1000	1000	1000	1000	1000	1000	1000	1000	1000	1000	1000	1000	1000	1000	1000	1000	1000	1000

P.Trab.

K	8873	8773	8871	8771	7773	7771	7753	7553	7751	7551	7731	7331	7711	7111	5551	5531	5331	5511	5111	3331	3311	1111	0000
0.60	448	433	417	406	424	399	286	278	275	268	192	187	132	130	264	187	185	130	129	183	129	129	107
0.80	543	526	500	488	513	477	367	356	350	342	260	253	192	189	334	252	250	189	188	247	188	187	163
1.00	620	603	565	553	585	540	438	425	414	404	320	312	247	244	394	310	307	244	242	303	242	240	215
1.25	696	680	628	616	657	601	512	498	479	470	385	376	309	304	456	373	369	305	302	363	301	299	273
1.50	757	741	677	666	715	650	573	559	532	523	439	430	362	357	507	425	422	357	354	414	353	349	323
2.00	850	835	749	740	803	722	671	657	615	607	527	517	452	446	587	511	507	444	441	497	438	433	408
2.50	914	901	798	791	866	772	744	729	675	667	592	583	520	514	646	574	571	511	508	559	504	497	473
3.00	962	950	833	827	912	808	799	785	719	713	641	633	573	567	690	623	619	563	560	607	554	547	523
4.00	1000	1000	881	877	977	858	878	866	781	776	713	706	651	645	751	692	690	639	635	675	628	619	597
5.00	1000	1000	912	909	1000	890	931	921	823	819	761	755	705	699	793	741	738	692	689	722	680	669	648
10.00	1000	1000	984	982	1000	965	1000	1000	923	920	882	878	843	839	894	859	858	826	824	839	810	796	778
20.00	1000	1000	1000	1000	1000	1000	1000	1000	986	985	961	959	936	934	959	938	937	917	916	916	899	881	867

LM53 SHR C0-C180: 1.190 SHR C90-C270: 4.828 SHR Superficial: 2.660

LEDS C4²

Luminaria

Código PX-0514-ANT
Nombre DUAL

Ensayo

Código PX-0514-ANT
Nombre DUAL

Flujo Luminaria	49 lm	Potencia Luminaria	2.6 W	Eficacia	18.685 lm/W	Eficiencia	100.00%
Flujo Fuente	49 lm	Valor Máximo	626.57 cd/klm	Posición	C=90.00 G=77.00	CG	Sim. en los planos 270-90

Could not find 90270 right beam angle•gamma0180=0

Could not find 90270 right beam angle•gamma0180=0

Could not find 90270 right beam angle•gamma0180=0

LEDS C4²

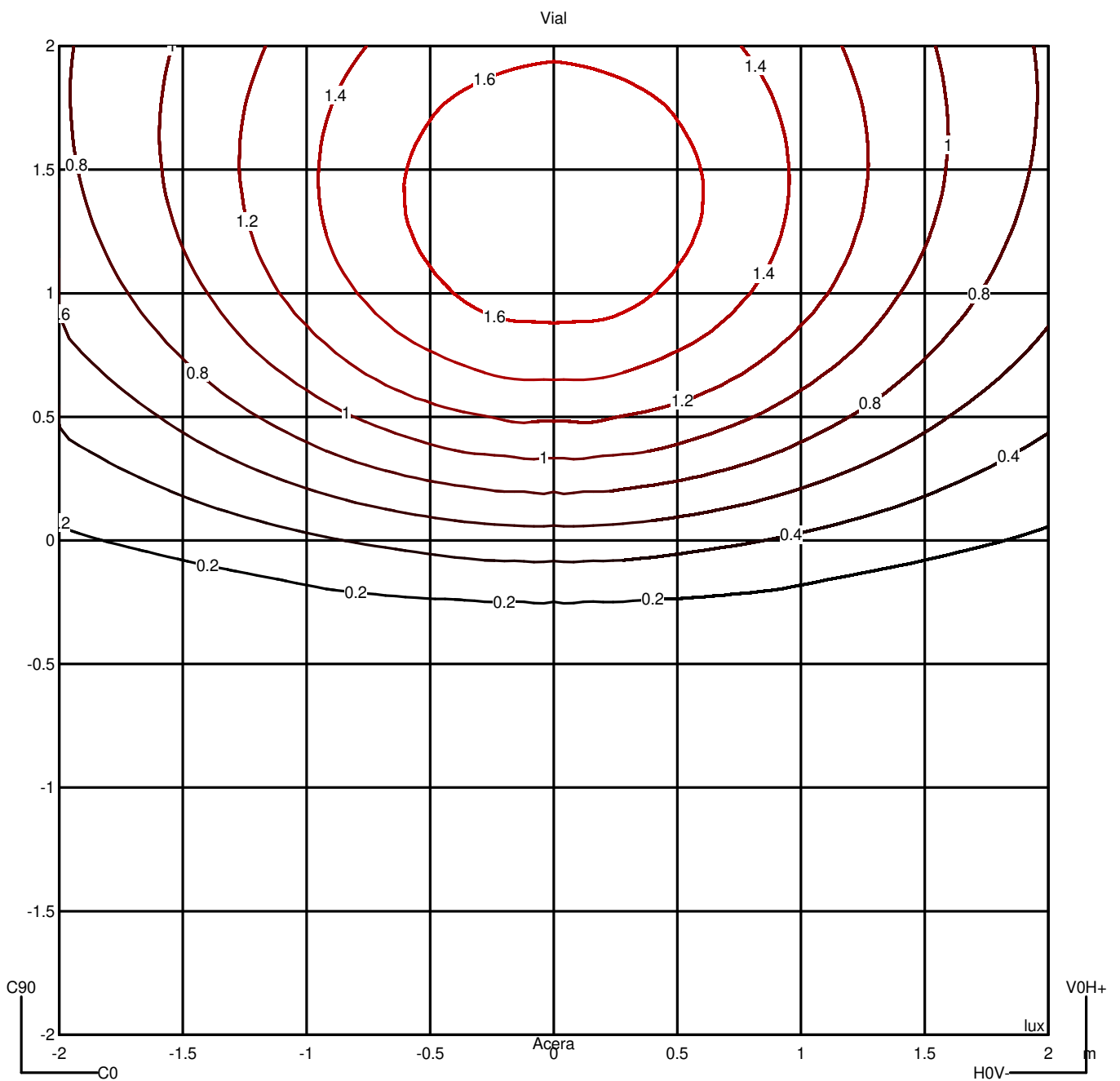
Luminaria

Código PX-0514-ANT
 Nombre DUAL
 Ensayo
 Código PX-0514-ANT
 Nombre DUAL

Flujo Luminaria	49 lm	Potencia Luminaria	2.6 W	Eficacia	18.685 lm/W	Eficiencia	100.00%
Flujo Fuente	49 lm	Valor Máximo	626.57 cd/klm	Posición	C=90.00 G=77.00	CG	Sim. en los planos 270-90

Isolux (Suelo)

Posición Luminaria X=0.00m Y=0.00m Z=2.50m



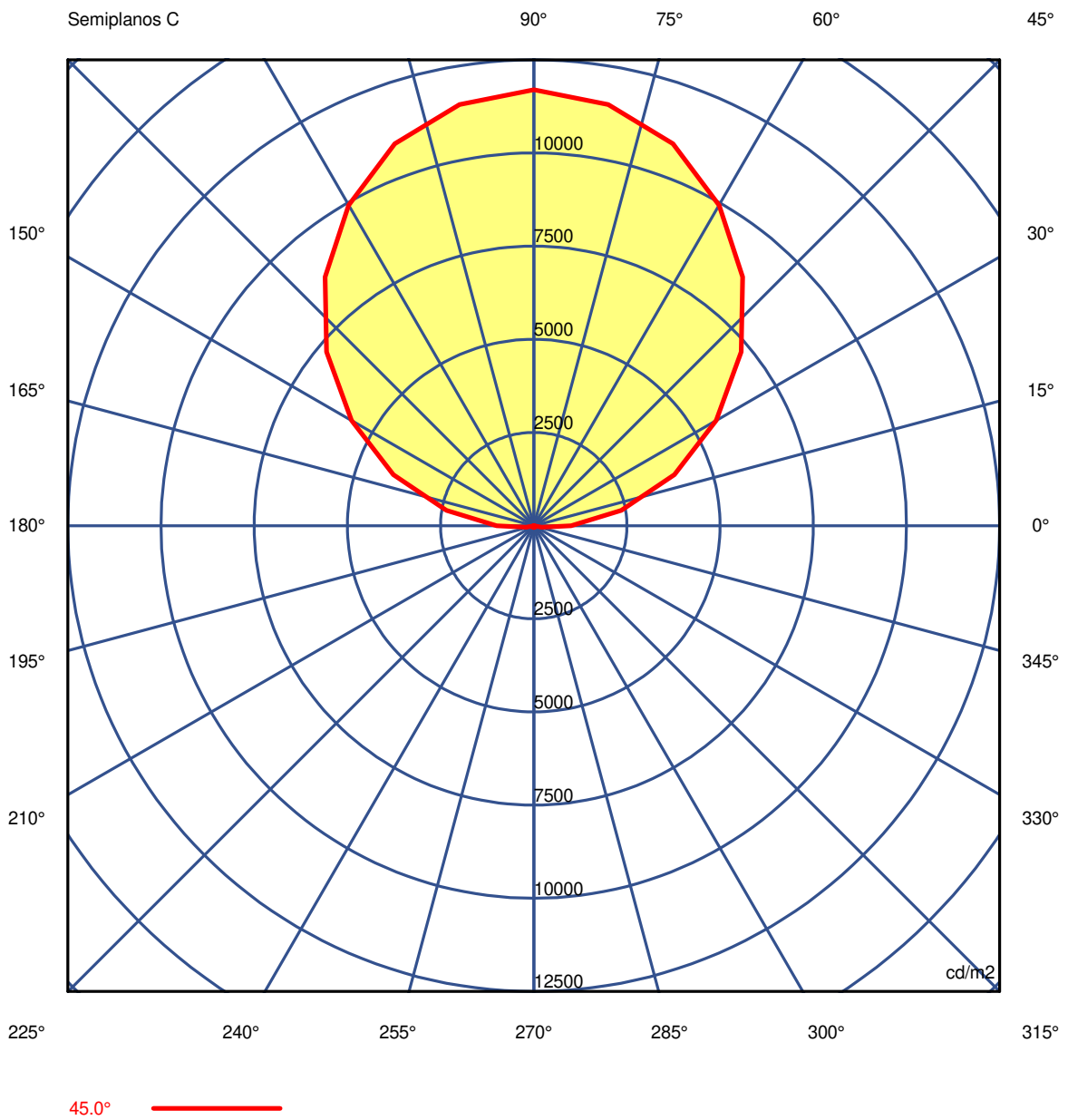
LEDS C4[®]

Luminaria

Código PX-0514-ANT
 Nombre DUAL
 Ensayo
 Código PX-0514-ANT
 Nombre DUAL

Flujo Luminaria	49 lm	Potencia Luminaria	2.6 W	Eficacia	18.685 lm/W	Eficiencia	100.00%
Flujo Fuente	49 lm	Valor Máximo	626.57 cd/klm	Posición	C=90.00 G=77.00	CG	Sim. en los planos 270-90

Luminancia



LEDS C4⁺

Luminaria

Código PX-0514-ANT
Nombre DUAL

Ensayo

Código PX-0514-ANT
Nombre DUAL

Flujo Luminaria	49 lm	Potencia Luminaria	2.6 W	Eficacia	18.685 lm/W	Eficiencia	100.00%
Flujo Fuente	49 lm	Valor Máximo	626.57 cd/klm	Posición	C=90.00 G=77.00	CG Sim. en los planos	270-90

Luminance cd/m2 Tabla 1/3

	C 0.00	C 10.00	C 20.00	C 30.00	C 40.00	C 50.00	C 60.00	C 70.00	C 80.00	C 90.00	C 100.00	C 110.00	C 120.00
G 0.0	1158.94	1158.94	1158.94	1158.94	1158.94	1158.94	1158.94	1158.94	1158.94	1158.94	1158.94	1158.94	1158.94
G 5.0	1128.34	1270.07	1399.11	1505.11	1629.34	1723.23	1785.82	1862.26	1900.97	1888.79	1900.97	1862.26	1785.82
G 10.0	1125.39	1389.66	1654.12	1895.25	2130.55	2332.13	2495.64	2636.65	2711.61	2722.74	2711.61	2636.65	2495.64
G 15.0	1115.15	1514.48	1921.46	2305.28	2680.61	3003.11	3263.82	3483.87	3605.11	3633.98	3605.11	3483.87	3263.82
G 20.0	1107.10	1645.75	2202.81	2739.75	3280.43	3737.25	4098.60	4417.56	4593.04	4625.41	4593.04	4417.56	4098.60
G 25.0	1090.56	1776.72	2494.42	3206.95	3914.92	4524.76	5015.48	5426.03	5654.56	5715.15	5654.56	5426.03	5015.48
G 30.0	1076.83	1919.41	2823.44	3737.58	4613.12	5388.61	6036.14	6544.95	6831.81	6936.27	6831.81	6544.95	6036.14
G 35.0	1049.67	2064.78	3173.43	4299.30	5383.61	6345.92	7150.39	7786.27	8149.44	8287.48	8149.44	7786.27	7150.39
G 40.0	1025.50	2217.97	3571.85	4937.64	6269.43	7449.37	8435.66	9237.33	9696.04	9858.13	9696.04	9237.33	8435.66
G 45.0	993.87	2378.30	4010.70	5653.24	7264.11	8712.48	9933.87	10912.98	11479.50	11699.94	11479.50	10912.98	9933.87
G 50.0	951.98	2562.26	4531.71	6511.29	8449.66	10216.82	11726.73	12923.02	13613.62	13890.33	13613.62	12923.02	11726.73
G 55.0	906.59	2780.27	5152.53	7547.09	9890.81	12048.83	13911.29	15379.44	16235.17	16598.47	16235.17	15379.44	13911.29
G 60.0	844.30	3052.32	5930.49	8850.77	11729.19	14385.76	16687.70	18525.94	19597.92	20040.02	19597.92	18525.94	16687.70
G 65.0	768.03	3408.89	6958.98	10588.79	14176.91	17505.18	20402.91	22717.80	24078.71	24659.20	24078.71	22717.80	20402.91
G 70.0	653.73	3909.18	8426.50	13084.83	17694.12	21984.56	25740.92	28752.91	30524.65	31277.26	30524.65	28752.91	25740.92
G 75.0	496.14	4724.97	10781.47	17100.12	23368.43	29182.42	34263.92	38371.74	40810.10	41861.04	40810.10	38371.74	34263.92
G 80.0	237.39	6322.53	15361.24	24930.60	34404.54	43200.13	50897.66	57085.82	60768.31	62393.03	60768.31	57085.82	50897.66
G 85.0	143.25	11286.68	28773.86	47967.56	66772.90	84192.95	99498.01	111726.25	119048.05	122405.68	119048.05	111726.25	99498.01
G 90.0	0.00	0.00	0.00	0.00	0.00	0.00	0.00	0.00	0.00	0.00	0.00	0.00	0.00

LEDS C4⁺

Luminaria

Código PX-0514-ANT
Nombre DUAL

Ensayo

Código PX-0514-ANT
Nombre DUAL

Flujo Luminaria	49 lm	Potencia Luminaria	2.6 W	Eficacia	18.685 lm/W	Eficiencia	100.00%
Flujo Fuente	49 lm	Valor Máximo	626.57 cd/klm	Posición	C=90.00 G=77.00	CG	Sim. en los planos 270-90

Luminance cd/m2 Tabla 2/3

	C 130.00	C 140.00	C 150.00	C 160.00	C 170.00	C 180.00	C 190.00	C 200.00	C 210.00	C 220.00	C 230.00	C 240.00	C 250.00
G 0.0	1158.94	1158.94	1158.94	1158.94	1158.94	1158.94	1158.94	1158.94	1158.94	1158.94	1158.94	1158.94	1158.94
G 5.0	1723.23	1629.34	1505.11	1399.11	1270.07	1128.34	1031.96	932.78	822.95	744.35	669.28	599.59	569.05
G 10.0	2332.13	2130.55	1895.25	1654.12	1389.66	1125.39	914.08	716.83	525.90	375.98	254.20	159.99	108.54
G 15.0	3003.11	2680.61	2305.28	1921.46	1514.48	1115.15	789.50	503.66	251.34	77.70	17.61	32.46	33.44
G 20.0	3737.25	3280.43	2739.75	2202.81	1645.75	1107.10	678.20	302.89	37.38	9.76	32.68	33.67	34.83
G 25.0	4524.76	3914.92	3206.95	2494.42	1776.72	1090.56	531.17	177.22	32.77	22.81	34.31	35.44	36.57
G 30.0	5388.61	4613.12	3737.58	2823.44	1919.41	1076.83	386.19	56.58	34.80	38.52	36.68	38.11	40.62
G 35.0	6345.92	5383.61	4299.30	3173.43	2064.78	1049.67	263.73	0.00	38.04	38.81	39.80	41.02	44.49
G 40.0	7449.37	6269.43	4937.64	3571.85	2217.97	1025.50	238.59	0.00	42.00	42.80	43.64	44.52	47.11
G 45.0	8712.48	7264.11	5653.24	4010.70	2378.30	993.87	214.48	0.00	46.08	47.21	47.15	45.92	45.43
G 50.0	10216.82	8449.66	6511.29	4531.71	2562.26	951.98	184.09	8.90	50.27	50.37	45.79	44.28	42.56
G 55.0	12048.83	9890.81	7547.09	5152.53	2780.27	906.59	149.29	53.62	54.63	52.12	47.06	46.17	46.99
G 60.0	14385.76	11729.19	8850.77	5930.49	3052.32	844.30	103.61	58.69	59.37	55.44	51.60	52.47	56.67
G 65.0	17505.18	14176.91	10588.79	6958.98	3408.89	768.03	299.40	64.75	64.09	62.06	61.02	60.97	56.05
G 70.0	21984.56	17694.12	13084.83	8426.50	3909.18	653.73	267.61	126.20	73.13	76.13	78.56	65.96	63.93
G 75.0	29182.42	23368.43	17100.12	10781.47	4724.97	496.14	0.00	191.17	88.12	101.18	108.34	78.11	73.80
G 80.0	43200.13	34404.54	24930.60	15361.24	6322.53	237.39	0.00	121.77	128.45	147.90	145.19	120.33	119.29
G 85.0	84192.95	66772.90	47967.56	28773.86	11286.68	143.25	0.00	262.11	304.83	314.51	303.76	272.57	287.37
G 90.0	0.00	0.00	0.00	0.00	0.00	0.00	0.00	0.00	0.00	0.00	0.00	0.00	0.00

LEDS C4[®]

Luminaria

Código PX-0514-ANT
Nombre DUAL

Ensayo

Código PX-0514-ANT
Nombre DUAL

Flujo Luminaria	49 lm	Potencia Luminaria	2.6 W	Eficacia	18.685 lm/W	Eficiencia	100.00%
Flujo Fuente	49 lm	Valor Máximo	626.57 cd/klm	Posición	C=90.00 G=77.00	CG	Sim. en los planos 270-90

Luminance cd/m2 Tabla 3/3

	C 260.00	C 270.00	C 280.00	C 290.00	C 300.00	C 310.00	C 320.00	C 330.00	C 340.00	C 350.00
G 0.0	1158.94	1158.94	1158.94	1158.94	1158.94	1158.94	1158.94	1158.94	1158.94	1158.94
G 5.0	549.60	522.77	549.60	569.05	599.59	669.28	744.35	822.95	932.78	1031.96
G 10.0	79.11	54.32	79.11	108.54	159.99	254.20	375.98	525.90	716.83	914.08
G 15.0	34.25	34.91	34.25	33.44	32.46	17.61	77.70	251.34	503.66	789.50
G 20.0	35.73	36.37	35.73	34.83	33.67	32.68	9.76	37.38	302.89	678.20
G 25.0	38.48	37.40	38.48	36.57	35.44	34.31	22.81	32.77	177.22	531.17
G 30.0	40.91	39.54	40.91	40.62	38.11	36.68	38.52	34.80	56.58	386.19
G 35.0	43.90	42.77	43.90	44.49	41.02	39.80	38.81	38.04	0.00	263.73
G 40.0	45.72	43.64	45.72	47.11	44.52	43.64	42.80	42.00	0.00	238.59
G 45.0	44.04	41.75	44.04	45.43	45.92	47.15	47.21	46.08	0.00	214.48
G 50.0	40.22	38.42	40.22	42.56	44.28	45.79	50.37	50.27	8.90	184.09
G 55.0	46.67	45.14	46.67	46.99	46.17	47.06	52.12	54.63	53.62	149.29
G 60.0	57.48	53.47	57.48	56.67	52.47	51.60	55.44	59.37	58.69	103.61
G 65.0	50.70	46.11	50.70	56.05	60.97	61.02	62.06	64.09	64.75	299.40
G 70.0	62.71	62.31	62.71	63.93	65.96	78.56	76.13	73.13	126.20	267.61
G 75.0	78.44	79.63	78.44	73.80	78.11	108.34	101.18	88.12	191.17	0.00
G 80.0	129.55	132.56	129.55	119.29	120.33	145.19	147.90	128.45	121.77	0.00
G 85.0	310.63	316.25	310.63	287.37	272.57	303.76	314.51	304.83	262.11	0.00
G 90.0	0.00	0.00	0.00	0.00	0.00	0.00	0.00	0.00	0.00	0.00

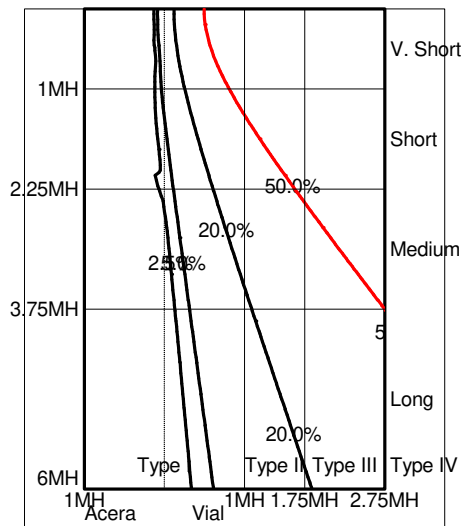
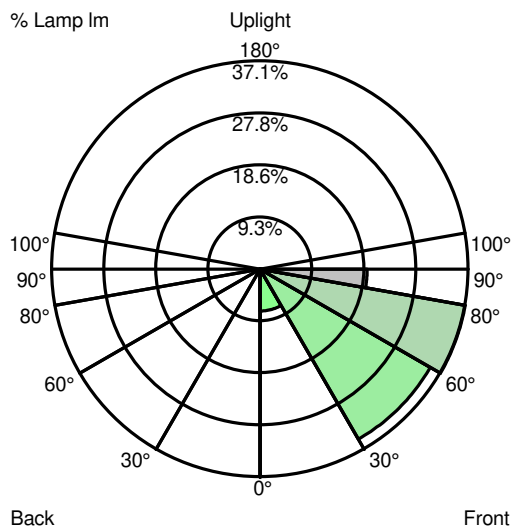
LEDS C4⁺

Luminaria

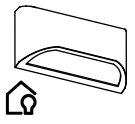
Código PX-0514-ANT
 Nombre DUAL
 Ensayo
 Código PX-0514-ANT
 Nombre DUAL

Flujo Luminaria	49 lm	Potencia Luminaria	2.6 W	Eficacia	18.685 lm/W	Eficiencia	100.00%
Flujo Fuente	49 lm	Valor Máximo	626.57 cd/klm	Posición	C=90.00 G=77.00	CG	Sim. en los planos 270-90

US ROAD STANDARDS



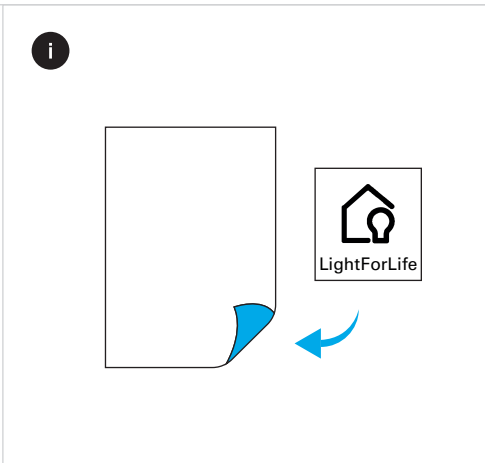
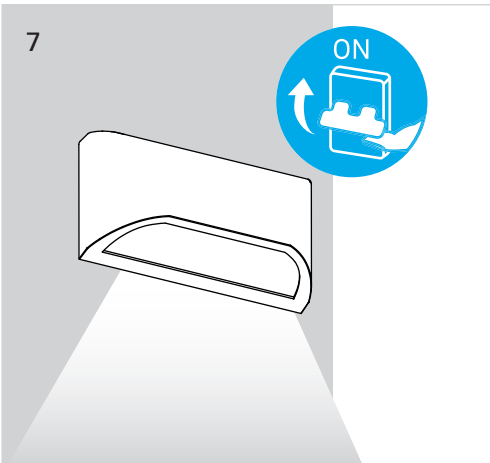
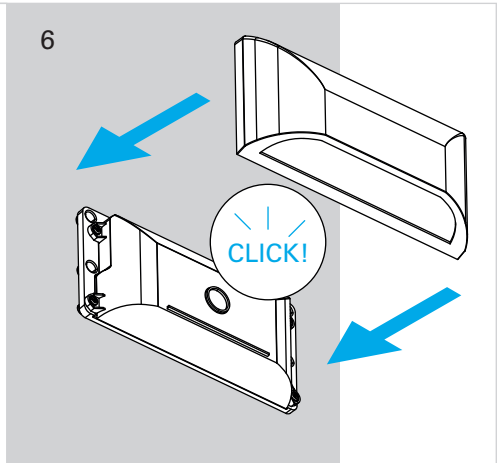
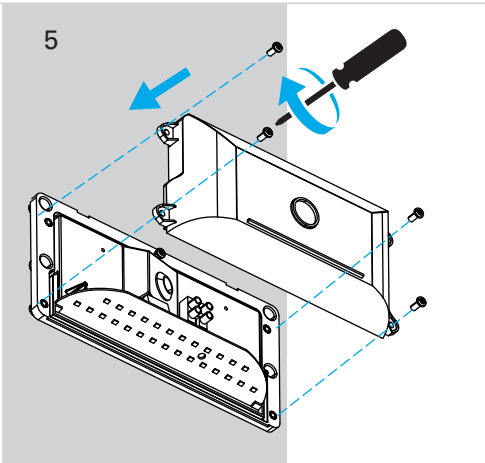
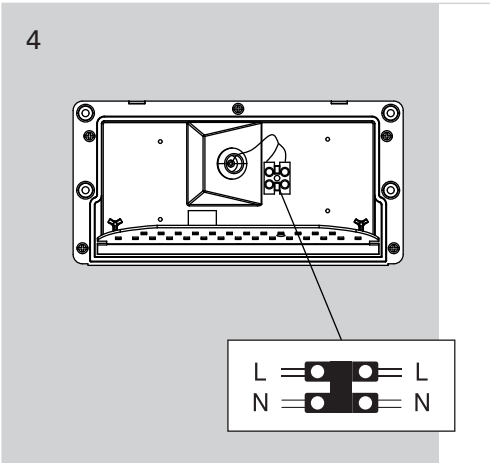
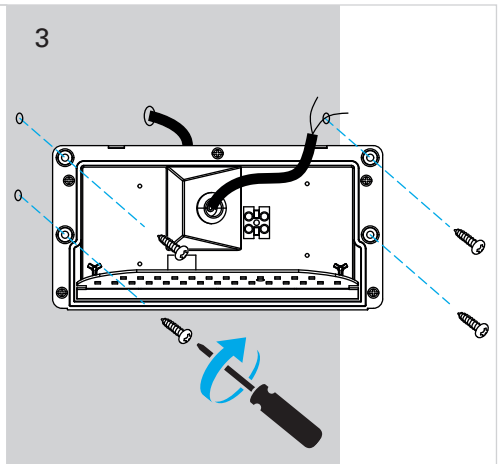
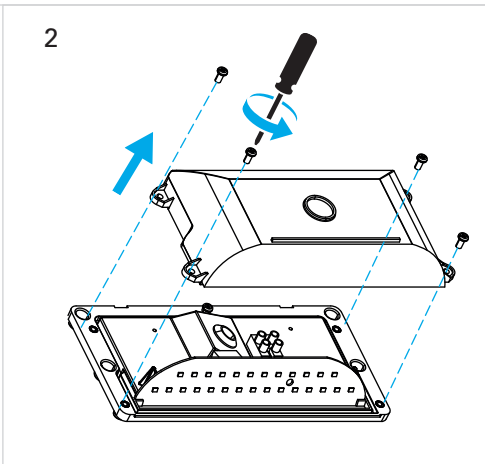
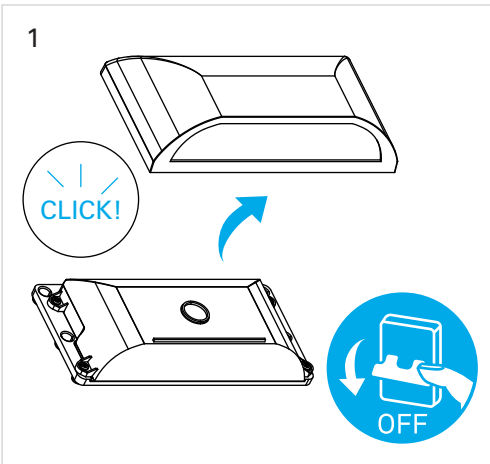
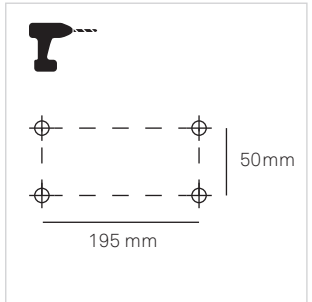
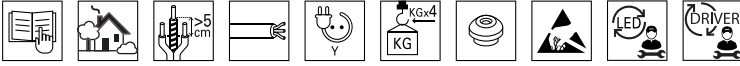
Luminaire Classification System (LCS)			
LCS Zone		Lumens	%Lamp
FL	0° -- 30°	3.6 lm	7.5 %
FM	30° -- 60°	17.0 lm	35.0 %
FH	60° -- 80°	18.0 lm	37.1 %
FVH	80° -- 90°	9.3 lm	19.1 %
BL	0° -- 30°	0.3 lm	0.6 %
BM	30° -- 60°	0.2 lm	0.5 %
BH	60° -- 80°	0.1 lm	0.2 %
BVH	80° -- 90°	0.0 lm	0.1 %
UL	90° -- 100°	0.0 lm	0.0 %
UH	100° -- 180°	0.0 lm	0.0 %
TOTALS		48.6 lm	100.0 %
BUG B0 U0 G0 Type I Very Short Asymmetrical			

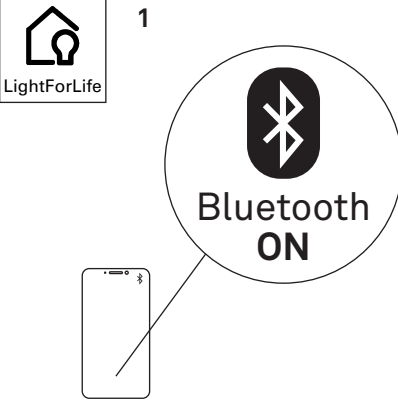
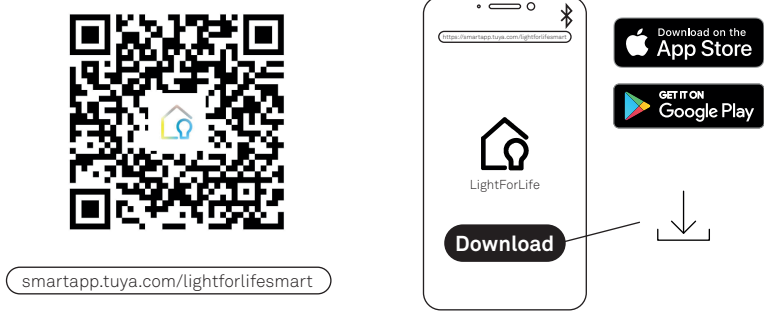
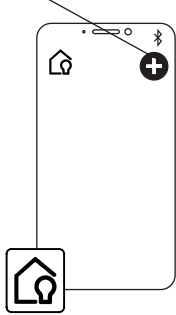
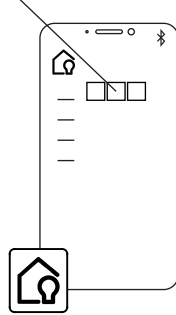
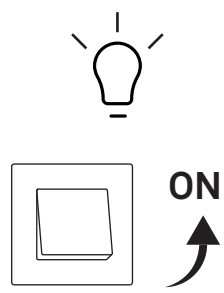
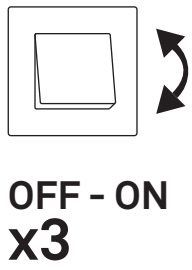
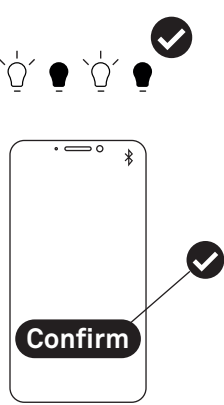
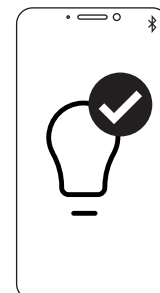



Dual

PX-0514

FOR
LIGHT



<p>1</p>  <p>LightForLife</p> <p>Bluetooth ON</p>	<p>2</p>  <p>smartapp.tuya.com/lightforlifsmart</p> <p>Download on the App Store</p> <p>GET IT ON Google Play</p> <p>Download</p>	
<p>3</p>  <p>4</p> 	<p>5</p>  <p>ON</p>	<p>6</p>  <p>OFF - ON x3</p>
<p>7</p>  <p>Confirm</p>	<p>8</p> 	 <p>leds-c4.com/sites/default/files/media/files/manual-lightforlife-en.pdf</p>