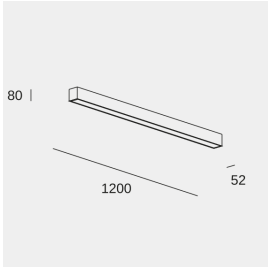
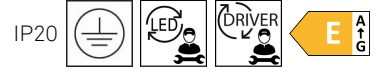


CARACTERÍSTICAS TÉCNICAS



Potencia total luminaria : 27.9W

Lúmenes reales : 1773

Lúmenes nominales : 2635

Lm / W reales : 64

Material de la estructura : Aluminio

Acabado estructura : Gris

Material del difusor : Acrílico

Acabado difusor : Matizado

Voltaje / Frecuencia : 100-277V ~ 50/60Hz

Protocolo de regulación : ON-OFF

Power Factor : 0.90

Vida útil : 36.000h L70B30

Garantía : 2 Años

Luminaria fácilmente reciclable

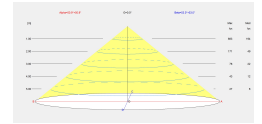
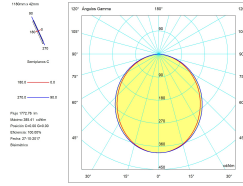
CARACTERÍSTICAS LUMINOTÉCNICAS

CRI: 80

MacAdam steps: 3

Riesgo fotobiológico: RG0

Portalámparas	Cantidad	Potencia fuente de luz (W)	Temperatura de color correlacionada (CCT)
LED	1	25W	4000K



LOGÍSTICA

Peso neto (Kg): 2.1

Peso embalado (Kg): 2.57

Embalaje: 1250mm x 85mm x 110mm



Luminaire

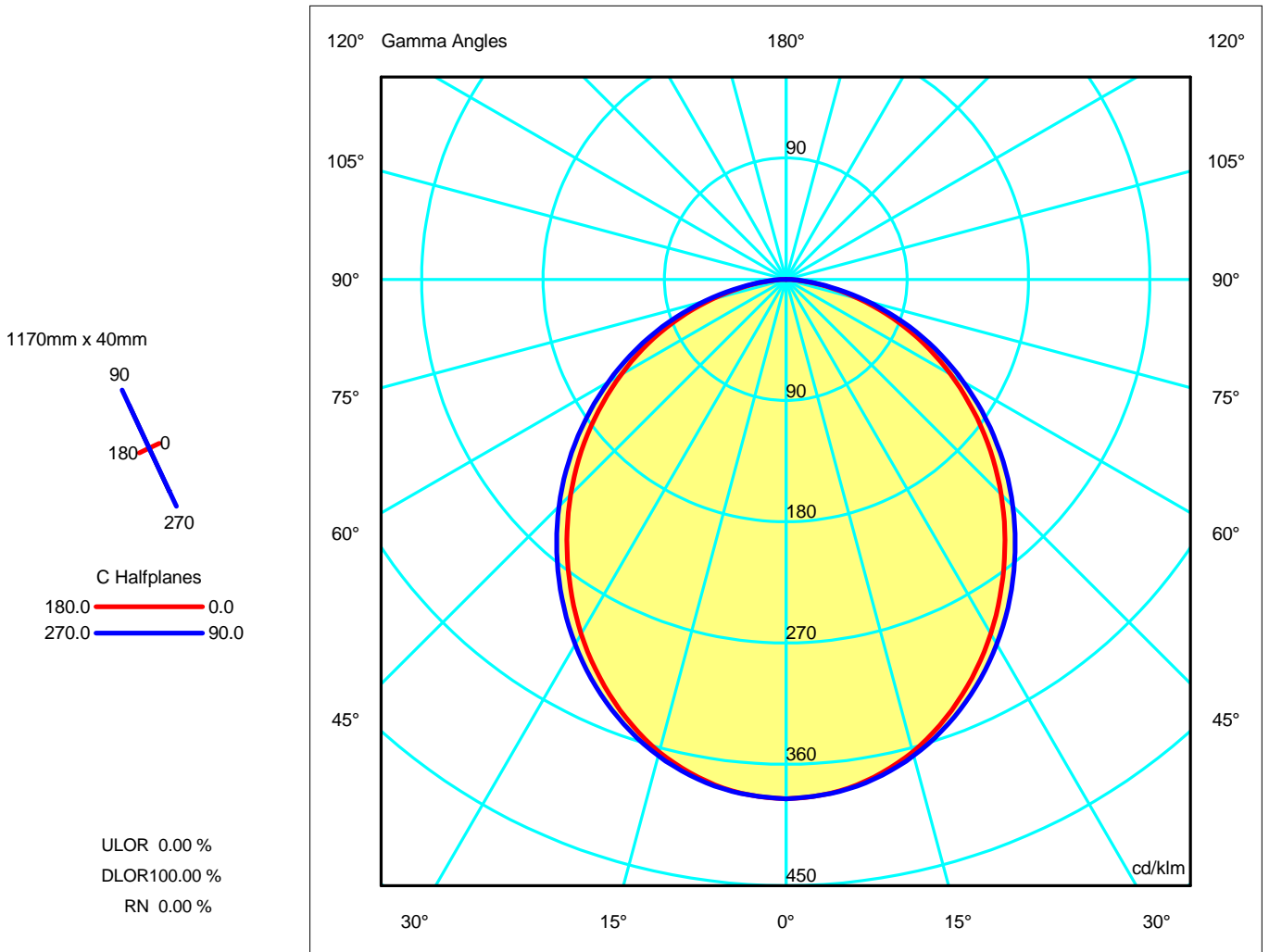
Code TC-0451-GRI
 Name Colgante ILO leds 28W 4000K

Measur.

Code TC-0359-BLA
 Name Colgante ILO leds 28W 4000K

Luminaire Flux	1772.76 lm	Luminaire Power	28.40 W	Efficacy	62.42 lm/W	Efficiency	100.00%
Lamps Flux	1772.76 lm	Maximum value	385.42 cd/klm	Position	C=0.00 G=0.00	CG	Double Symmetrical
Rectangular Luminaire		Length	1170 mm	Width	40 mm	Height	1 mm
Rectangular Luminous Area		Length	1170 mm	Width	40 mm	Height	0 mm
Horizontal Luminous Area	0.046800 m2	Emitting area on Plane 180°				0.000000 m2	
Emitting area on Plane 0°	0.000000 m2	Emitting area on Plane 270°				0.000000 m2	
Emitting area on Plane 90°	0.000000 m2	Glare area at 76°				0.011322 m2	
Coordinate system	CG	Symmetry Type				Double Symmetrical	
Date	27-10-2017	Maximum Gamma Angle				90	
Measurement Distance	0.00	Measurement Flux				1772.76 lm	
Operator		Source Voltage [V]					
Temperature	25.00 °C	Source current [A]					
Humidity	60.00 %	Photocell					
Notes							

Line	Code	Luminaire Lamps	Flux [lm]	Pow. [W]	Q.ty
	TC-0451-GRI	Name TC-0451-GRI	1772.76	28.40	1
C.I.E.	49 80 96 100 100	D DIN 5040	A30		
F UTE	1.00 E	B NBN	BZ 4		



Luminaire

Code TC-0451-GRI
 Name Colgante ILO leds 28W 4000K

Measur.

Code TC-0359-BLA
 Name Colgante ILO leds 28W 4000K

Luminaire Flux	1772.76 lm	Luminaire Power	28.40 W	Efficacy	62.42 lm/W	Efficiency	100.00%
Lamps Flux	1772.76 lm	Maximum value	385.42 cd/klm	Position	C=0.00 G=0.00	CG	Double Symmetrical

Luminous Intensity Table cd/klm Table 1/1

	C 0.00	C 15.00	C 30.00	C 45.00	C 60.00	C 75.00	C 90.00
G 0.0	385.42	385.42	385.42	385.42	385.42	385.42	385.42
G 5.0	382.84	382.82	382.77	382.91	383.13	383.23	382.97
G 10.0	375.06	375.23	375.48	375.88	376.32	376.56	376.60
G 15.0	363.08	363.08	363.76	364.69	365.28	365.78	365.96
G 20.0	346.44	346.70	347.64	348.83	350.22	351.76	351.34
G 25.0	326.39	326.78	328.48	330.04	331.77	333.23	333.47
G 30.0	303.70	304.41	305.83	308.08	310.52	312.66	312.64
G 35.0	278.69	279.81	281.75	284.87	286.79	288.59	289.41
G 40.0	252.64	253.69	255.54	258.66	261.16	264.54	264.28
G 45.0	225.65	226.63	229.81	231.60	234.55	236.87	237.91
G 50.0	198.02	198.45	200.79	203.60	206.65	209.95	210.21
G 55.0	169.39	170.32	173.42	176.06	178.02	180.22	181.22
G 60.0	140.99	141.64	143.61	146.39	148.73	152.47	151.86
G 65.0	112.71	113.05	116.07	118.41	119.40	121.34	122.09
G 70.0	84.06	84.52	85.79	87.84	89.57	92.79	92.06
G 75.0	55.94	56.80	59.04	60.33	60.84	62.01	61.84
G 80.0	31.03	31.46	32.01	32.99	33.74	35.42	34.31
G 85.0	10.18	10.93	11.72	12.18	11.65	11.76	11.88
G 90.0	0.83	0.85	0.85	0.84	0.83	0.84	0.82

Luminaire

Code TC-0451-GRI
 Name Colgante ILO leds 28W 4000K

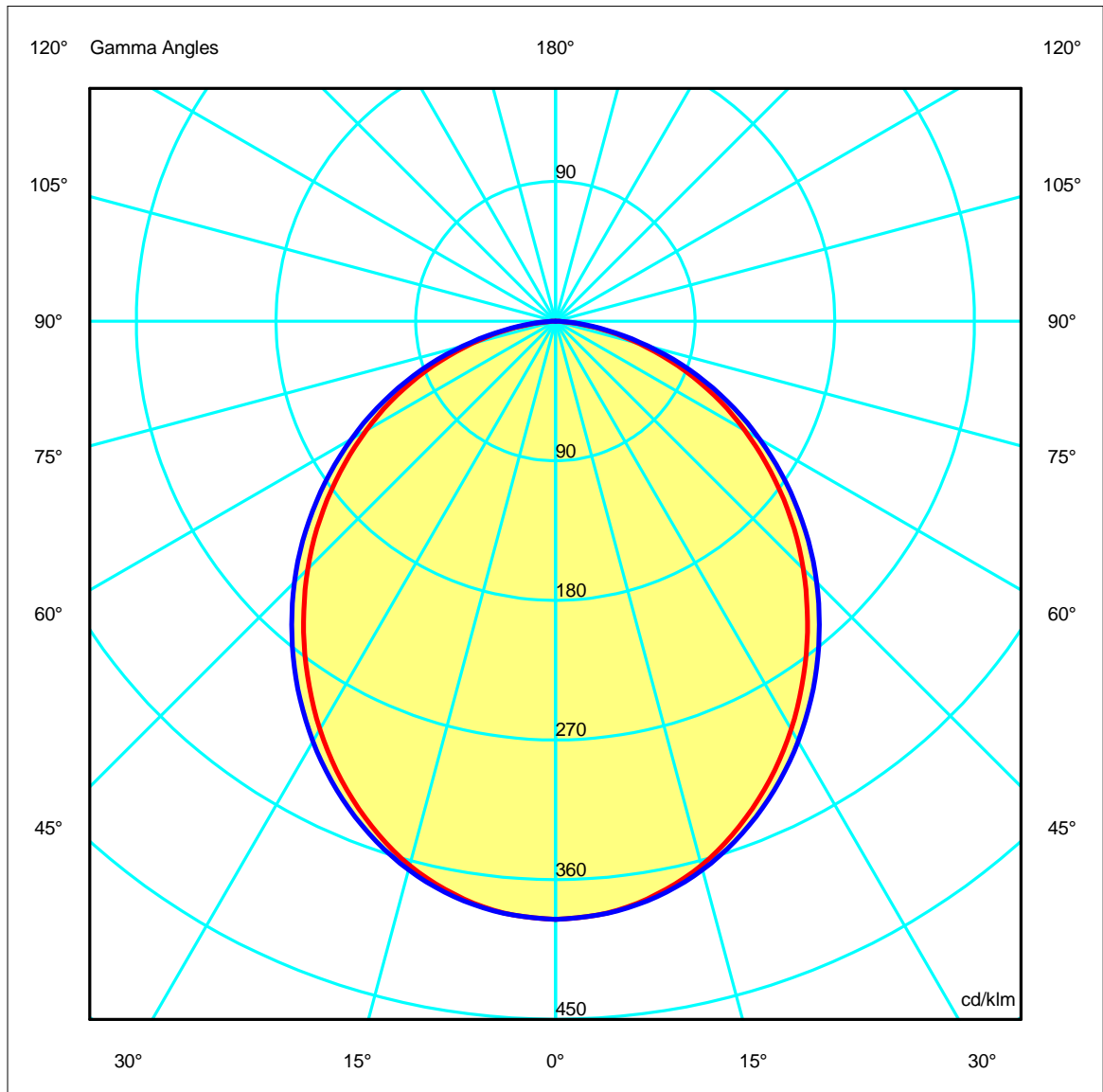
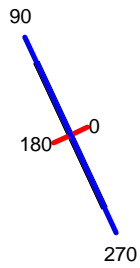
Measur.

Code TC-0359-BLA
 Name Colgante ILO leds 28W 4000K

Luminaire Flux	1772.76 lm	Luminaire Power	28.40 W	Efficacy	62.42 lm/W	Efficiency	100.00%
Lamps Flux	1772.76 lm	Maximum value	385.42 cd/klm	Position	C=0.00 G=0.00	CG	Double Symmetrical

1170mm x 40mm

C Halfplanes



Luminaire

Code TC-0451-GRI
Name Colgante ILO leds 28W 4000K

Measur.

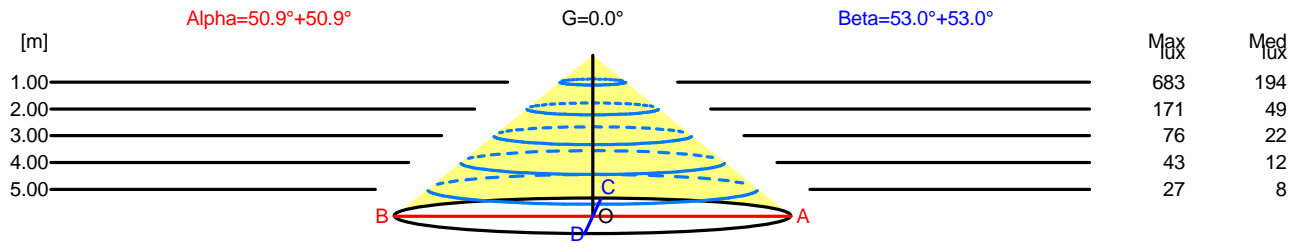
Code TC-0359-BLA
Name Colgante ILO leds 28W 4000K

Luminaire Flux	1772.76 lm	Luminaire Power	28.40 W	Efficacy	62.42 lm/W	Efficiency	100.00%
Lamps Flux	1772.76 lm	Maximum value	385.42 cd/klm	Position	C=0.00 G=0.00	CG	Double Symmetrical

Width at 50.00 % of Max Intensity

H[m]	1.00	2.00	3.00	4.00	5.00	H[m]	1.00	2.00	3.00	4.00	5.00
OA	1.23	2.46	3.70	4.93	6.16	OC	1.33	2.66	3.99	5.31	6.64
OB	1.23	2.46	3.70	4.93	6.16	OD	1.33	2.66	3.99	5.31	6.64

	Luminous Intensities [cd/klm]									
	0	5	15	25	35	45	55	65	75	85
OA	683.25	678.69	643.66	578.61	494.05	400.03	300.28	199.80	99.16	18.05
OB	683.25	678.69	643.66	578.61	494.05	400.03	300.28	199.80	99.16	18.05
OC	683.25	678.92	648.76	591.16	513.06	421.76	321.26	216.43	109.62	21.06
OD	683.25	678.92	648.76	591.16	513.06	421.76	321.26	216.43	109.62	21.06



H[m]	D[m]	Max lux	Med lux	Alpha=50.9°+50.9°	G=0.0	
1.00	2.46	683	194			
2.00	4.93	171	49			
3.00	7.39	76	22			
4.00	9.86	43	12			
5.00	12.32	27	8			

H[m]	D[m]	Max lux	Med lux	Beta=53.0°+53.0°	G=0.0	
1.00	2.66	683	194			
2.00	5.31	171	49			
3.00	7.97	76	22			
4.00	10.63	43	12			
5.00	13.29	27	8			

Luminaire

Code TC-0451-GRI
Name Colgante ILO leds 28W 4000K

Measurement

Code TC-0359-BLA
Name Colgante ILO leds 28W 4000K

Luminaire Flux	1772.76 lm	Luminaire Power	28.40 W	Efficacy	62.42 lm/W	Efficiency	100.00%
Lamps Flux	1772.76 lm	Maximum value	385.42 cd/klm	Position	C=0.00 G=0.00	CG	Double Symmetrical

UGR
S = 0.250

Reflectancies										
Ceiling/Cavity	0.7	0.7	0.5	0.5	0.3	0.7	0.7	0.5	0.5	0.3
Walls	0.5	0.3	0.5	0.3	0.3	0.5	0.3	0.5	0.3	0.3
WorkingPlane	0.2	0.2	0.2	0.2	0.2	0.2	0.2	0.2	0.2	0.2
RoomDimensions	ViewedCrosswise					ViewedEndwise				
x=2H y=2H	20.7	22.0	21.0	22.2	22.5	21.1	22.3	21.3	22.6	22.8
x=2H y=3H	22.2	23.4	22.5	23.6	23.9	22.6	23.8	22.9	24.1	24.3
x=2H y=4H	22.8	23.9	23.1	24.1	24.4	23.2	24.3	23.6	24.6	24.9
x=2H y=6H	23.1	24.1	23.5	24.4	24.8	23.6	24.6	24.0	25.0	25.3
x=2H y=8H	23.2	24.2	23.6	24.5	24.8	23.7	24.7	24.1	25.0	25.3
x=2H y=12H	23.2	24.2	23.6	24.5	24.9	23.8	24.7	24.2	25.0	25.4
x=4H y=2H	21.5	22.6	21.8	22.9	23.2	21.8	22.9	22.1	23.1	23.4
x=4H y=3H	23.1	24.1	23.5	24.4	24.8	23.5	24.4	23.9	24.8	25.1
x=4H y=4H	23.8	24.7	24.2	25.0	25.4	24.2	25.0	24.6	25.4	25.8
x=4H y=6H	24.3	25.0	24.7	25.4	25.8	24.7	25.5	25.1	25.8	26.2
x=4H y=8H	24.4	25.1	24.8	25.5	25.9	24.9	25.5	25.3	25.9	26.3
x=4H y=12H	24.5	25.1	24.9	25.5	25.9	25.0	25.6	25.4	26.0	26.4
x=8H y=4H	24.2	24.8	24.6	25.2	25.6	24.5	25.2	24.9	25.6	26.0
x=8H y=6H	24.7	25.3	25.2	25.7	26.2	25.1	25.7	25.6	26.1	26.6
x=8H y=8H	24.9	25.4	25.4	25.9	26.3	25.3	25.8	25.8	26.3	26.7
x=8H y=12H	25.0	25.4	25.5	25.9	26.4	25.5	25.9	26.0	26.3	26.8
x=12H y=4H	24.2	24.8	24.6	25.2	25.6	24.5	25.1	25.0	25.5	26.0
x=12H y=6H	24.8	25.3	25.3	25.7	26.2	25.2	25.7	25.7	26.1	26.6
x=12H y=8H	25.0	25.4	25.5	25.9	26.4	25.4	25.8	25.9	26.3	26.8

Luminaire

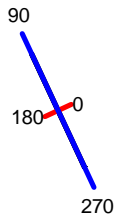
Code TC-0451-GRI
 Name Colgante ILO leds 28W 4000K

Measur.

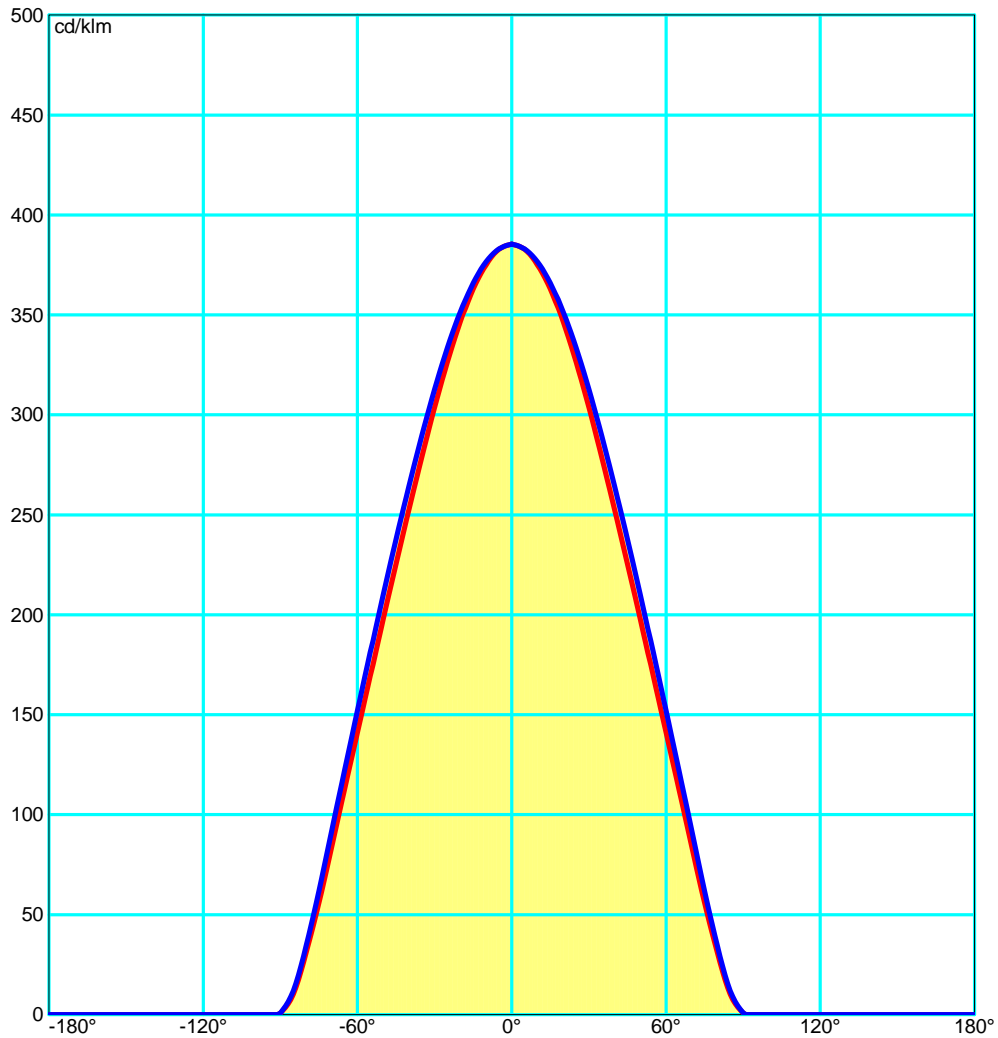
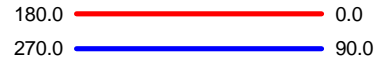
Code TC-0359-BLA
 Name Colgante ILO leds 28W 4000K

Luminaire Flux	1772.76 lm	Luminaire Power	28.40 W	Efficacy	62.42 lm/W	Efficiency	100.00%
Lamps Flux	1772.76 lm	Maximum value	385.42 cd/klm	Position	C=0.00 G=0.00	CG	Double Symmetrical

1170mm x 40mm



C Halfplanes



Luminaire

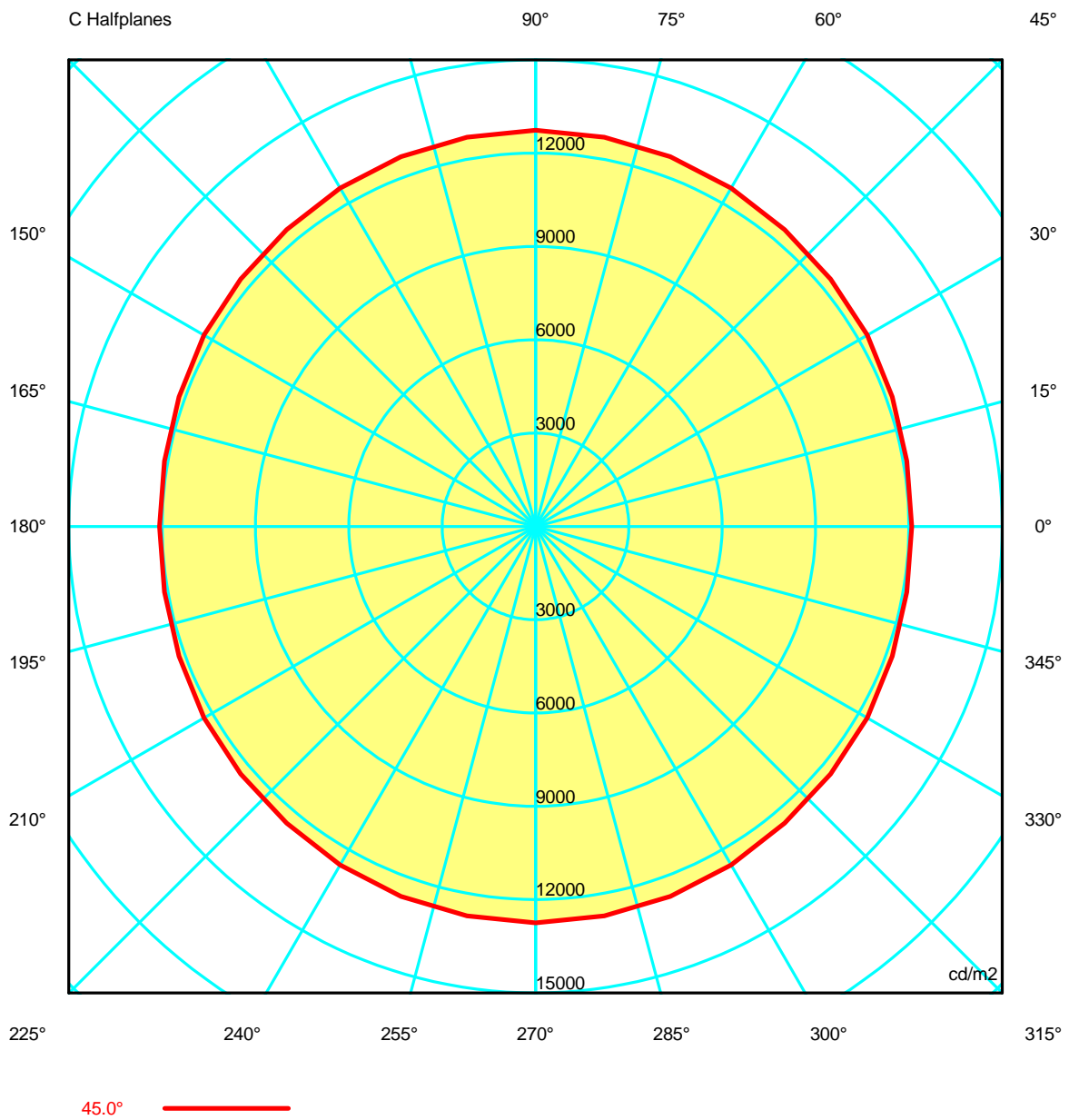
Code TC-0451-GRI
 Name Colgante ILO leds 28W 4000K

Measur.

Code TC-0359-BLA
 Name Colgante ILO leds 28W 4000K

Luminaire Flux	1772.76 lm	Luminaire Power	28.40 W	Efficacy	62.42 lm/W	Efficiency	100.00%
Lamps Flux	1772.76 lm	Maximum value	385.42 cd/klm	Position	C=0.00 G=0.00	CG	Double Symmetrical

Luminance



Luminaire

Code TC-0451-GRI
Name Colgante ILO leds 28W 4000K

Measurment

Code TC-0359-BLA
Name Colgante ILO leds 28W 4000K

Luminaire Flux	1772.76 lm	Luminaire Power	28.40 W	Efficacy	62.42 lm/W	Efficiency	100.00%
Lamps Flux	1772.76 lm	Maximum value	385.42 cd/klm	Position	C=0.00 G=0.00	CG	Double Symmetrical

Luminance cd/m2 Table 1/3

	C 0.00	C 10.00	C 20.00	C 30.00	C 40.00	C 50.00	C 60.00	C 70.00	C 80.00	C 90.00	C 100.00	C 110.00	C 120.00
G 0.0	14599.34	14599.34	14599.34	14599.34	14599.34	14599.34	14599.34	14599.34	14599.34	14599.34	14599.34	14599.34	14599.34
G 5.0	14557.30	14557.01	14555.50	14554.51	14557.41	14562.56	14568.02	14572.08	14570.08	14562.23	14570.08	14572.08	14568.02
G 10.0	14426.20	14430.34	14435.44	14442.47	14452.07	14463.56	14474.58	14482.03	14484.56	14485.43	14484.56	14482.03	14474.58
G 15.0	14238.57	14238.57	14244.56	14265.11	14290.36	14310.58	14324.84	14338.78	14347.90	14351.39	14347.90	14338.78	14324.84
G 20.0	13965.27	13969.60	13985.43	14013.47	14045.20	14078.02	14117.39	14164.84	14182.06	14162.87	14182.06	14164.84	14117.39
G 25.0	13641.55	13646.77	13677.65	13728.79	13772.86	13817.11	13866.47	13912.02	13930.84	13937.44	13930.84	13912.02	13866.47
G 30.0	13283.73	13302.11	13330.81	13376.74	13440.33	13510.04	13581.78	13652.60	13684.54	13674.79	13684.54	13652.60	13581.78
G 35.0	12887.24	12919.95	12962.03	13028.88	13127.31	13208.02	13261.82	13320.27	13362.77	13383.12	13362.77	13320.27	13261.82
G 40.0	12492.56	12525.23	12567.45	12636.21	12740.42	12830.17	12914.03	13036.25	13096.09	13068.00	13096.09	13036.25	12914.03
G 45.0	12088.19	12108.85	12193.47	12310.89	12375.05	12452.72	12564.73	12656.47	12713.06	12744.83	12713.06	12656.47	12564.73
G 50.0	11669.58	11686.42	11730.30	11832.46	11942.92	12053.51	12178.18	12320.96	12377.41	12387.60	12377.41	12320.96	12178.18
G 55.0	11186.36	11212.69	11305.85	11452.72	11577.54	11670.87	11756.70	11858.09	11932.13	11967.93	11932.13	11858.09	11756.70
G 60.0	10681.18	10706.27	10767.31	10879.47	11025.17	11142.74	11267.93	11475.34	11571.23	11504.69	11571.23	11475.34	11267.93
G 65.0	10101.85	10122.41	10205.51	10403.69	10563.13	10644.18	10701.99	10819.52	10911.26	10942.66	10911.26	10819.52	10701.99
G 70.0	9309.31	9337.68	9393.64	9501.10	9658.20	9781.35	9920.31	10181.79	10298.19	10195.82	10298.19	10181.79	9920.31
G 75.0	8186.42	8248.64	8412.95	8641.31	8790.29	8851.64	8904.67	9027.34	9089.52	9049.97	9089.52	9027.34	8904.67
G 80.0	6767.78	6831.90	6892.97	6983.12	7133.10	7237.94	7360.88	7638.95	7711.75	7483.93	7711.75	7638.95	7360.88
G 85.0	4425.22	4640.63	4864.93	5094.52	5277.65	5233.22	5062.65	5072.69	5138.80	5163.16	5138.80	5072.69	5062.65
G 90.0	0.00	0.00	0.00	0.00	0.00	0.00	0.00	0.00	0.00	0.00	0.00	0.00	0.00

Luminaire

Code TC-0451-GRI
Name Colgante ILO leds 28W 4000K

Measurerm.

Code TC-0359-BLA
Name Colgante ILO leds 28W 4000K

Luminaire Flux	1772.76 lm	Luminaire Power	28.40 W	Efficacy	62.42 lm/W	Efficiency	100.00%
Lamps Flux	1772.76 lm	Maximum value	385.42 cd/klm	Position	C=0.00 G=0.00	CG	Double Symmetrical

Luminance cd/m2 Table 2/3

	C 130.00	C 140.00	C 150.00	C 160.00	C 170.00	C 180.00	C 190.00	C 200.00	C 210.00	C 220.00	C 230.00	C 240.00	C 250.00
G 0.0	14599.34	14599.34	14599.34	14599.34	14599.34	14599.34	14599.34	14599.34	14599.34	14599.34	14599.34	14599.34	14599.34
G 5.0	14562.56	14557.41	14554.51	14555.50	14557.01	14557.30	14557.01	14555.50	14554.51	14557.41	14562.56	14568.02	14572.08
G 10.0	14463.56	14452.07	14442.47	14435.44	14430.34	14426.20	14430.34	14435.44	14442.47	14452.07	14463.56	14474.58	14482.03
G 15.0	14310.58	14290.36	14265.11	14244.56	14238.57	14238.57	14238.57	14244.56	14265.11	14290.36	14310.58	14324.84	14338.78
G 20.0	14078.02	14045.20	14013.47	13985.43	13969.60	13965.27	13969.60	13985.43	14013.47	14045.20	14078.02	14117.39	14164.84
G 25.0	13817.11	13772.86	13728.79	13677.65	13646.77	13641.55	13646.77	13677.65	13728.79	13772.86	13817.11	13866.47	13912.02
G 30.0	13510.04	13440.33	13376.74	13330.81	13302.11	13283.73	13302.11	13330.81	13376.74	13440.33	13510.04	13581.78	13652.60
G 35.0	13208.02	13127.31	13028.88	12962.03	12919.95	12887.24	12919.95	12962.03	13028.88	13127.31	13208.02	13261.82	13320.27
G 40.0	12830.17	12740.42	12636.21	12567.45	12525.23	12492.56	12525.23	12567.45	12636.21	12740.42	12830.17	12914.03	13036.25
G 45.0	12452.72	12375.05	12310.89	12193.47	12108.85	12088.19	12108.85	12193.47	12310.89	12375.05	12452.72	12564.73	12656.47
G 50.0	12053.51	11942.92	11832.46	11730.30	11686.42	11669.58	11686.42	11730.30	11832.46	11942.92	12053.51	12178.18	12320.96
G 55.0	11670.87	11577.54	11452.72	11305.85	11212.69	11186.36	11212.69	11305.85	11452.72	11577.54	11670.87	11756.70	11858.09
G 60.0	11142.74	11025.17	10879.47	10767.31	10706.27	10681.18	10706.27	10767.31	10879.47	11025.17	11142.74	11267.93	11475.34
G 65.0	10644.18	10563.13	10403.69	10205.51	10122.41	10101.85	10122.41	10205.51	10403.69	10563.13	10644.18	10701.99	10819.52
G 70.0	9781.35	9658.20	9501.10	9393.64	9337.68	9309.31	9337.68	9393.64	9501.10	9658.20	9781.35	9920.31	10181.79
G 75.0	8851.64	8790.29	8641.31	8412.95	8248.64	8186.42	8248.64	8412.95	8641.31	8790.29	8851.64	8904.67	9027.34
G 80.0	7237.94	7133.10	6983.12	6892.97	6831.90	6767.78	6831.90	6892.97	6983.12	7133.10	7237.94	7360.88	7638.95
G 85.0	5233.22	5277.65	5094.52	4864.93	4640.63	4425.22	4640.63	4864.93	5094.52	5277.65	5233.22	5062.65	5072.69
G 90.0	0.00	0.00	0.00	0.00	0.00	0.00	0.00	0.00	0.00	0.00	0.00	0.00	0.00

Luminaire

Code TC-0451-GRI
Name Colgante ILO leds 28W 4000K

Measur.

Code TC-0359-BLA
Name Colgante ILO leds 28W 4000K

Luminaire Flux	1772.76 lm	Luminaire Power	28.40 W	Efficacy	62.42 lm/W	Efficiency	100.00%
Lamps Flux	1772.76 lm	Maximum value	385.42 cd/klm	Position	C=0.00 G=0.00	CG	Double Symmetrical

Luminance cd/m2 Table 3/3

	C 260.00	C 270.00	C 280.00	C 290.00	C 300.00	C 310.00	C 320.00	C 330.00	C 340.00	C 350.00
G 0.0	14599.34	14599.34	14599.34	14599.34	14599.34	14599.34	14599.34	14599.34	14599.34	14599.34
G 5.0	14570.08	14562.23	14570.08	14572.08	14568.02	14562.56	14557.41	14554.51	14555.50	14557.01
G 10.0	14484.56	14485.43	14484.56	14482.03	14474.58	14463.56	14452.07	14442.47	14435.44	14430.34
G 15.0	14347.90	14351.39	14347.90	14338.78	14324.84	14310.58	14290.36	14265.11	14244.56	14238.57
G 20.0	14182.06	14162.87	14182.06	14164.84	14117.39	14078.02	14045.20	14013.47	13985.43	13969.60
G 25.0	13930.84	13937.44	13930.84	13912.02	13866.47	13817.11	13772.86	13728.79	13677.65	13646.77
G 30.0	13684.54	13674.79	13684.54	13652.60	13581.78	13510.04	13440.33	13376.74	13330.81	13302.11
G 35.0	13362.77	13383.12	13362.77	13320.27	13261.82	13208.02	13127.31	13028.88	12962.03	12919.95
G 40.0	13096.09	13068.00	13096.09	13036.25	12914.03	12830.17	12740.42	12636.21	12567.45	12525.23
G 45.0	12713.06	12744.83	12713.06	12656.47	12564.73	12452.72	12375.05	12310.89	12193.47	12108.85
G 50.0	12377.41	12387.60	12377.41	12320.96	12178.18	12053.51	11942.92	11832.46	11730.30	11686.42
G 55.0	11932.13	11967.93	11932.13	11858.09	11756.70	11670.87	11577.54	11452.72	11305.85	11212.69
G 60.0	11571.23	11504.69	11571.23	11475.34	11267.93	11142.74	11025.17	10879.47	10767.31	10706.27
G 65.0	10911.26	10942.66	10911.26	10819.52	10701.99	10644.18	10563.13	10403.69	10205.51	10122.41
G 70.0	10298.19	10195.82	10298.19	10181.79	9920.31	9781.35	9658.20	9501.10	9393.64	9337.68
G 75.0	9089.52	9049.97	9089.52	9027.34	8904.67	8851.64	8790.29	8641.31	8412.95	8248.64
G 80.0	7711.75	7483.93	7711.75	7638.95	7360.88	7237.94	7133.10	6983.12	6892.97	6831.90
G 85.0	5138.80	5163.16	5138.80	5072.69	5062.65	5233.22	5277.65	5094.52	4864.93	4640.63
G 90.0	0.00	0.00	0.00	0.00	0.00	0.00	0.00	0.00	0.00	0.00

Luminaire

Code TC-0451-GRI
 Name Colgante ILO leds 28W 4000K

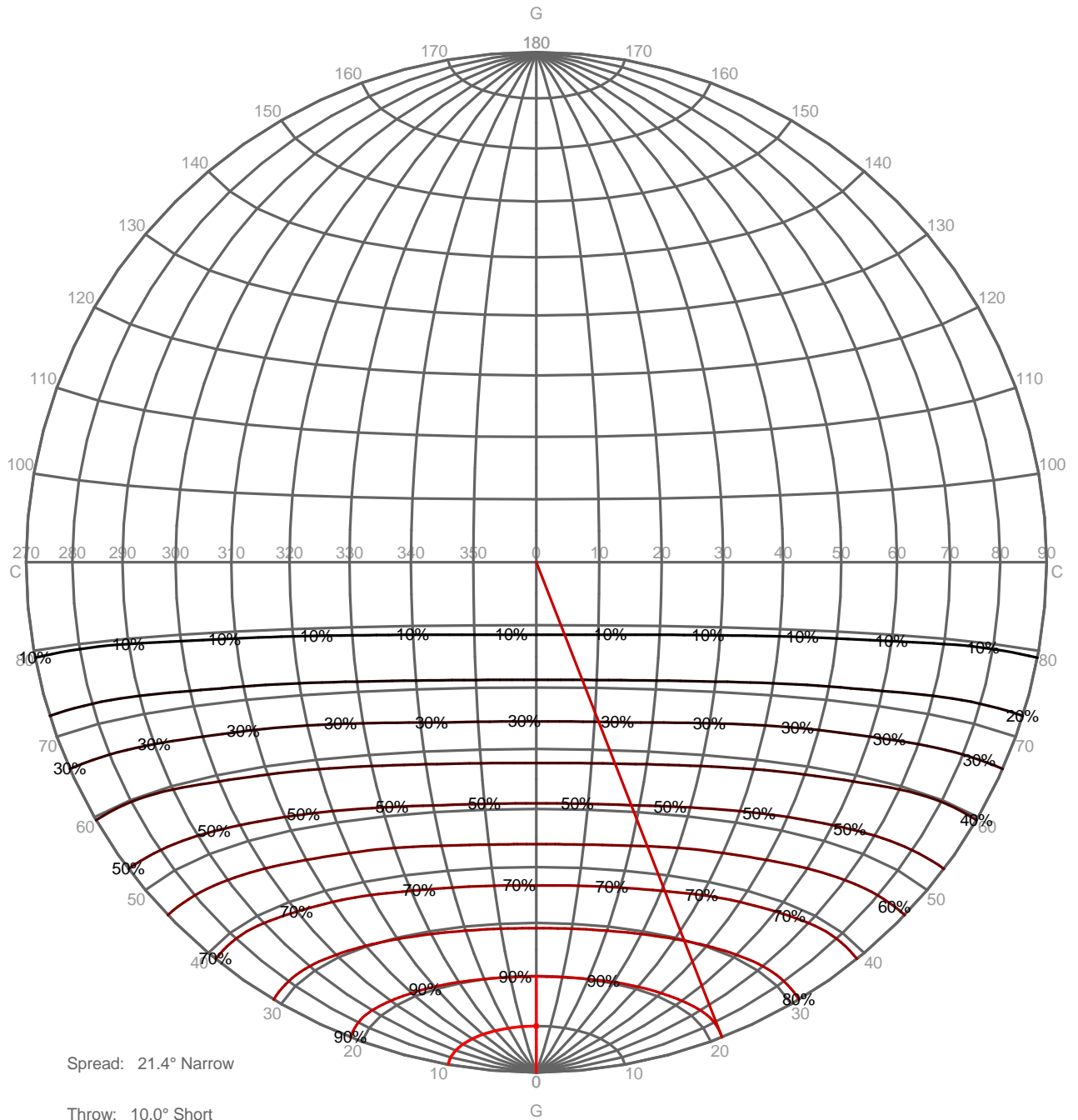
Measurement

Code TC-0359-BLA
 Name Colgante ILO leds 28W 4000K

Luminaire Flux	1772.76 lm	Luminaire Power	28.40 W	Efficacy	62.42 lm/W	Efficiency	100.00%
Lamps Flux	1772.76 lm	Maximum value	385.42 cd/klm	Position	C=0.00 G=0.00	CG	Double Symmetrical

PERCENTAGE ISOCANDLES

Projection: SLI 6.8 Tight Tilting Angle:0°



Luminaire

Code TC-0451-GRI
 Name Colgante ILO leds 28W 4000K

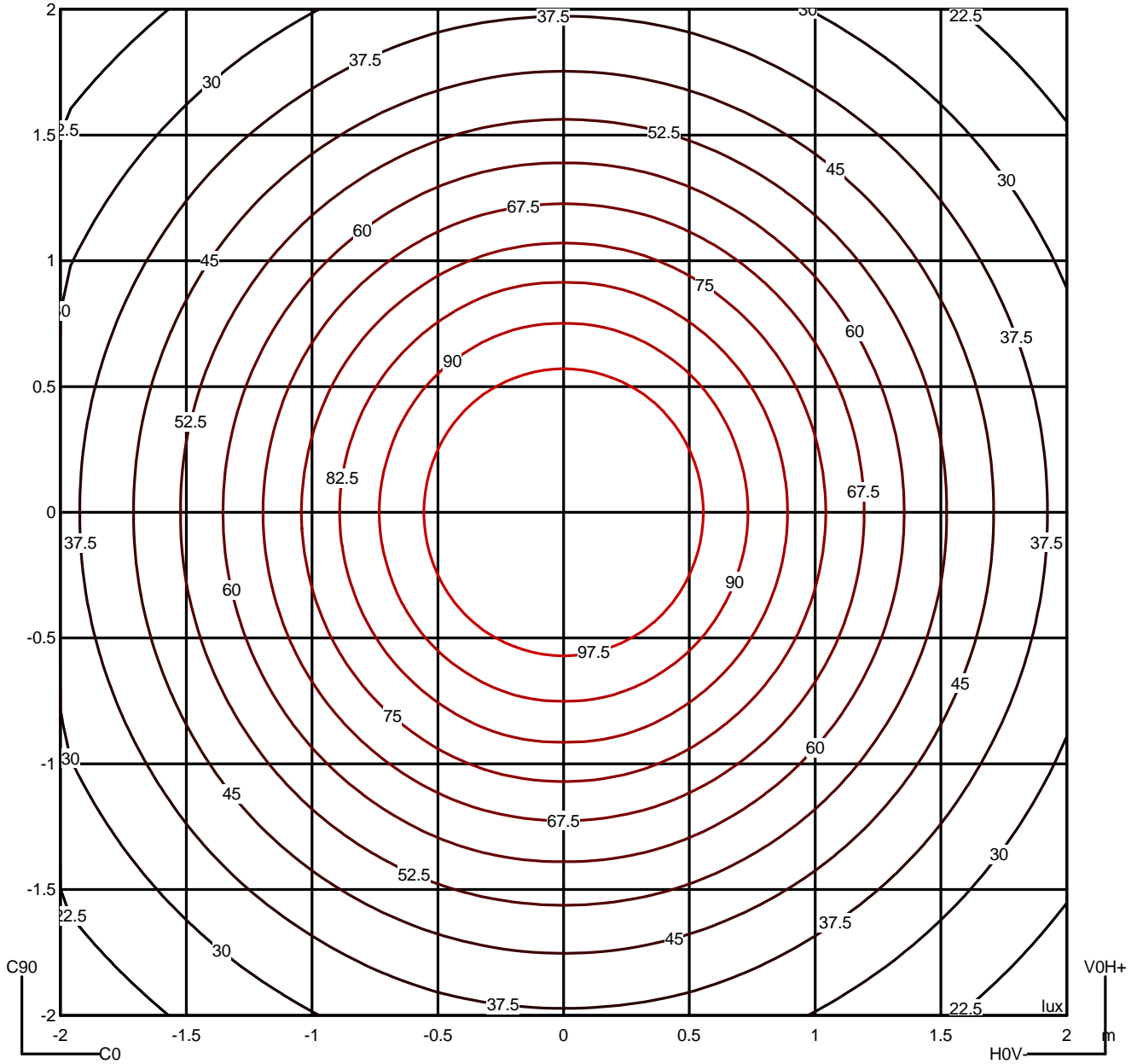
Measur.

Code TC-0359-BLA
 Name Colgante ILO leds 28W 4000K

Luminaire Flux	1772.76 lm	Luminaire Power	28.40 W	Efficacy	62.42 lm/W	Efficiency	100.00%
Lamps Flux	1772.76 lm	Maximum value	385.42 cd/klm	Position	C=0.00 G=0.00	CG	Double Symmetrical

Isolux (Floor)

Luminaire position X=0.00m Y=0.00m Z=2.50m



Luminaire

Code TC-0451-GRI
 Name Colgante ILO leds 28W 4000K

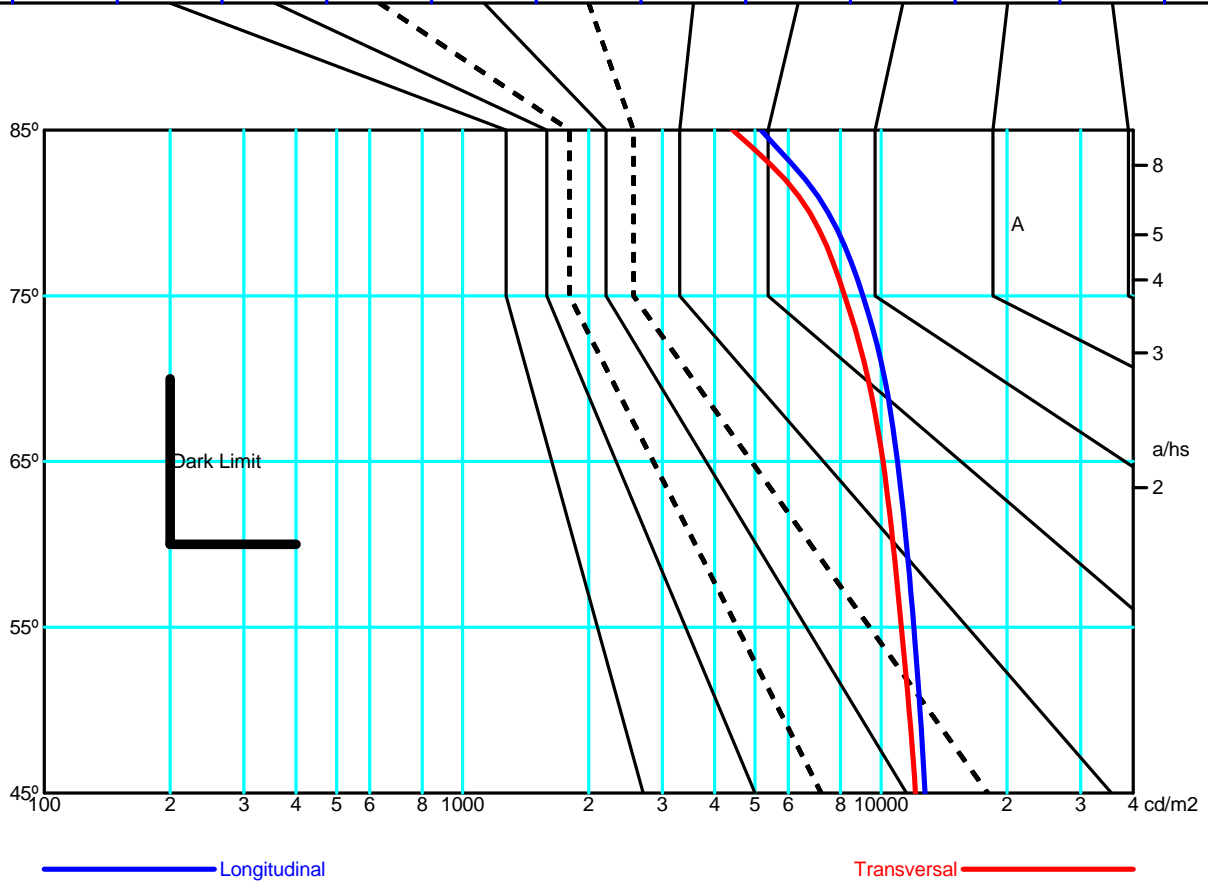
Measur.

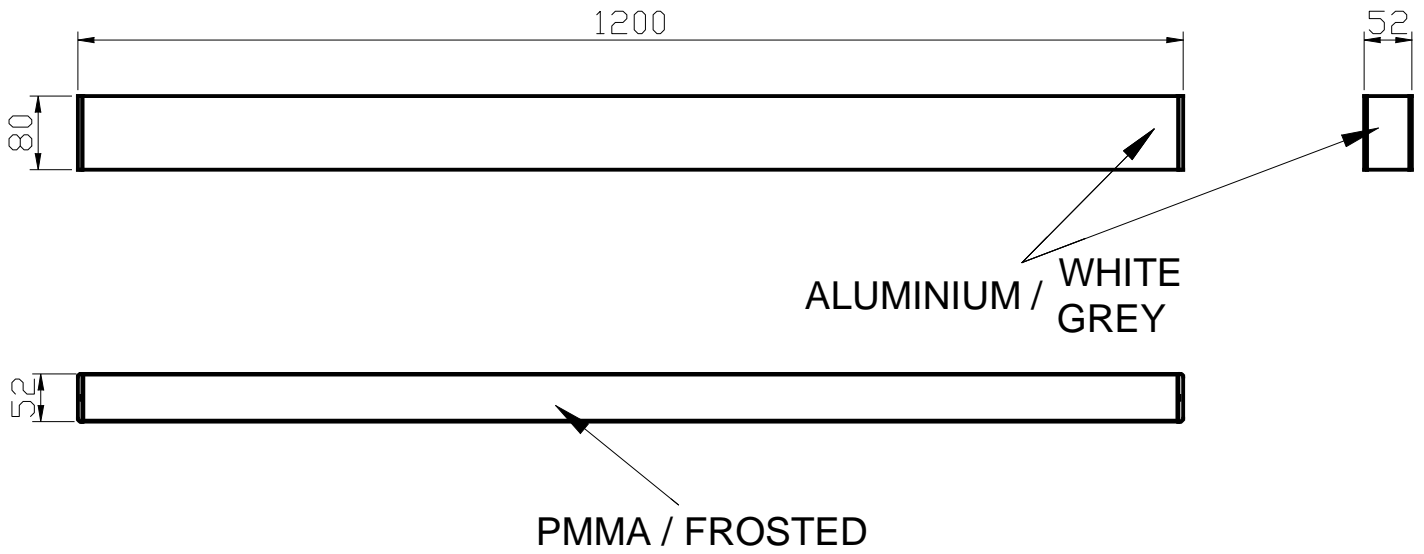
Code TC-0359-BLA
 Name Colgante ILO leds 28W 4000K

Luminaire Flux	1772.76 lm	Luminaire Power	28.40 W	Efficacy	62.42 lm/W	Efficiency	100.00%
Lamps Flux	1772.76 lm	Maximum value	385.42 cd/klm	Position	C=0.00 G=0.00	CG	Double Symmetrical

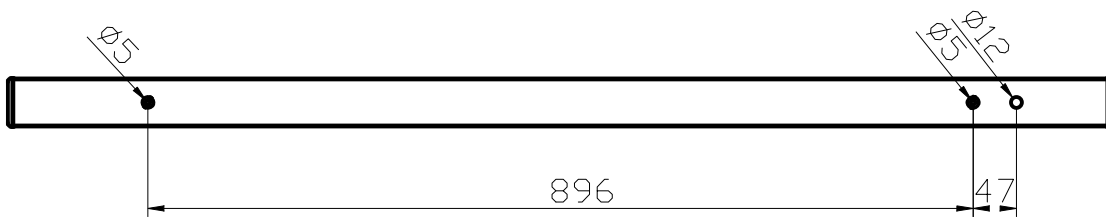
		Average Luminance [cd/m ²]									
		45°	50°	55°	60°	65°	70°	75°	80°	85°	
0.0°	12088	11670	11186	10681	10102	9309	8186	6768	4425	---	
90.0°	12745	12388	11968	11505	10943	10196	9050	7484	5163	---	

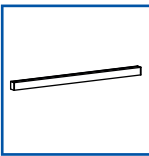
Flush mounted or longitudinal view												
		Illumination(Ix)										
A	A	2000	1000	750	500		<300					1.15
B	1		2000	1500	1000	750	500	<300				1.5
C					2000		1000	500	<300			1.85
D	2						2000	1000	500	<300		2.2
E	3							2000	1000	500	<300	2.55





Installation template

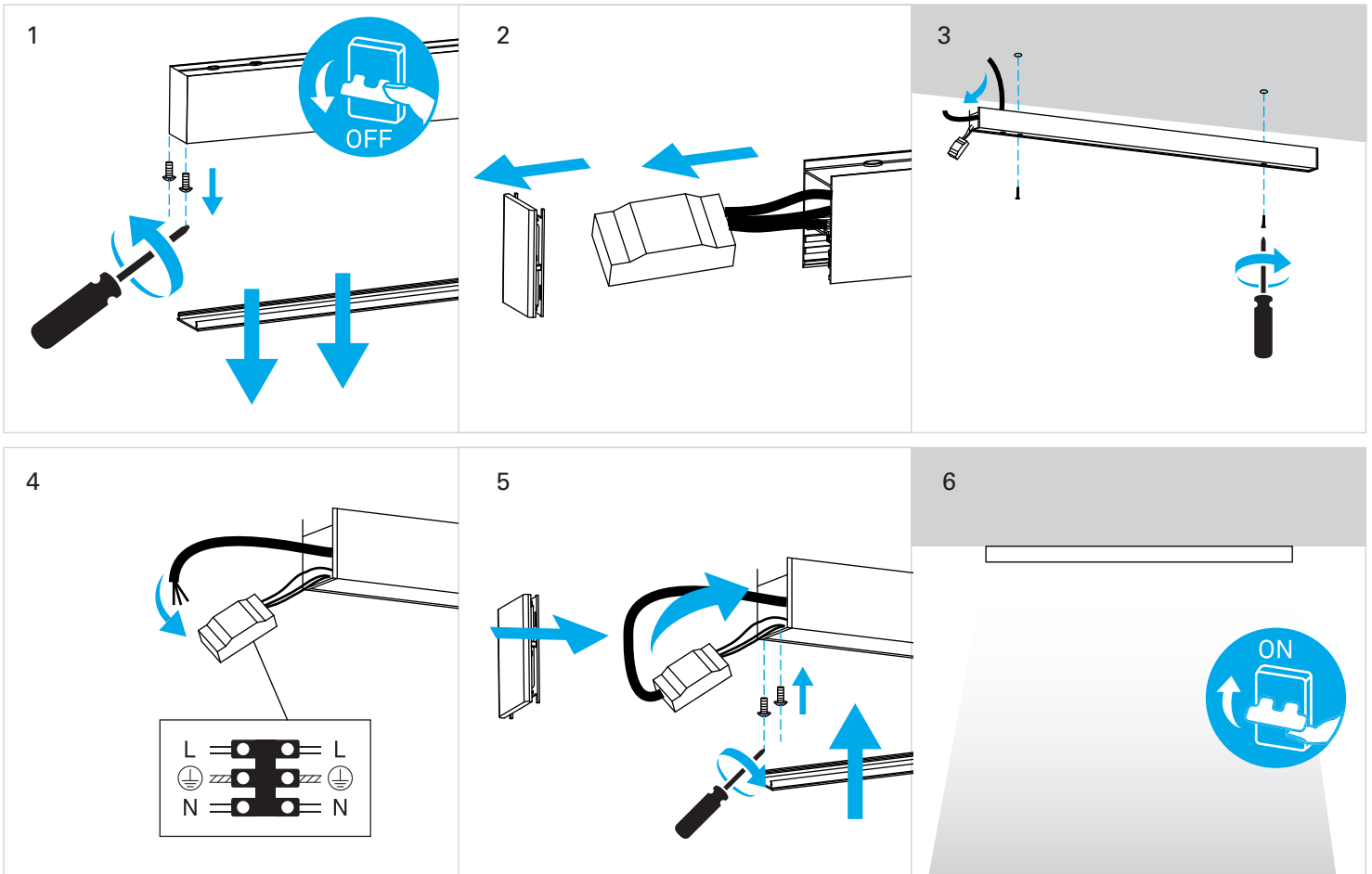
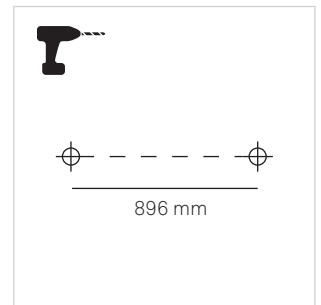


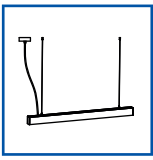


Illo

TC-0450 TC-0451 TC-0452 TC-0453 TC-0454

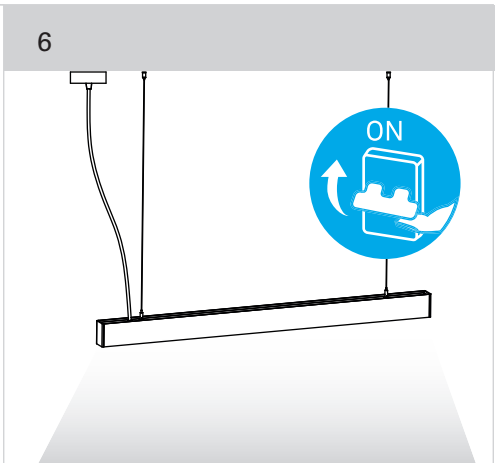
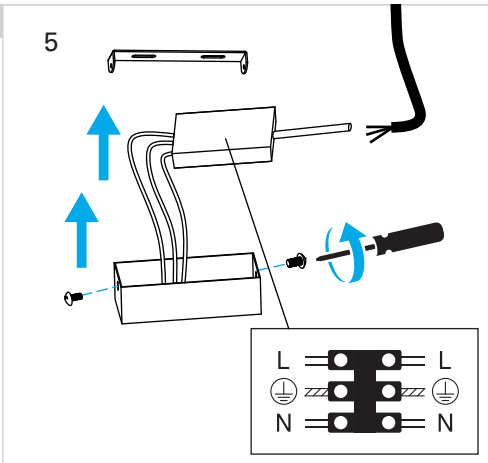
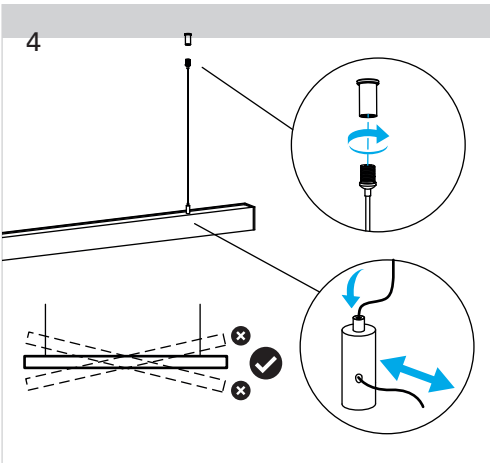
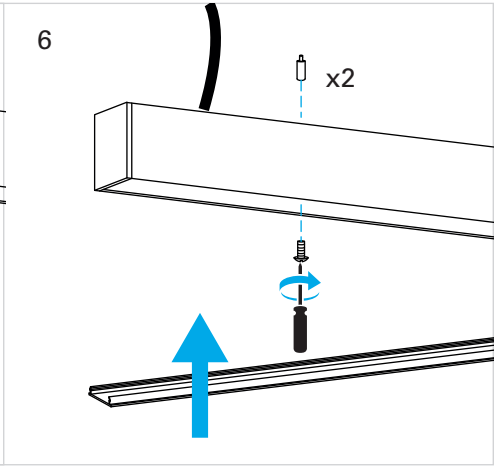
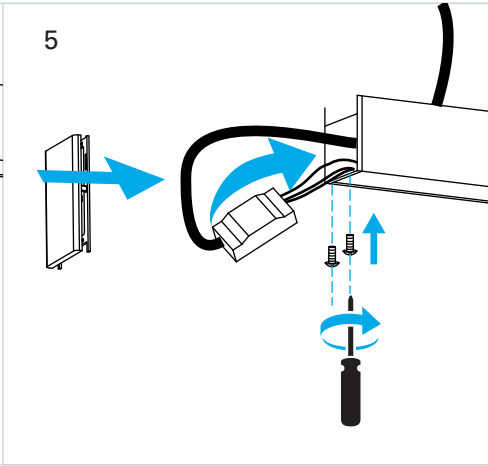
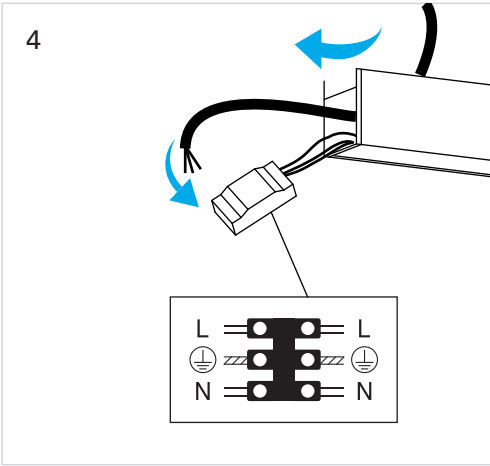
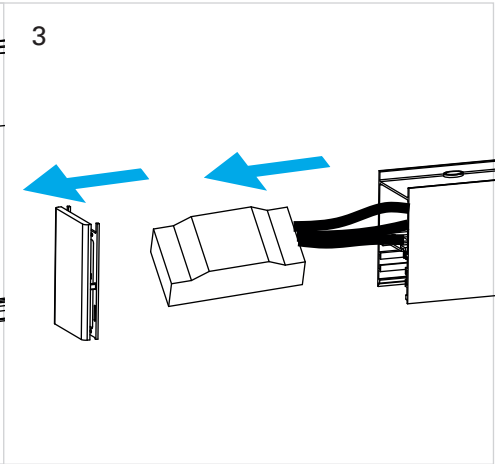
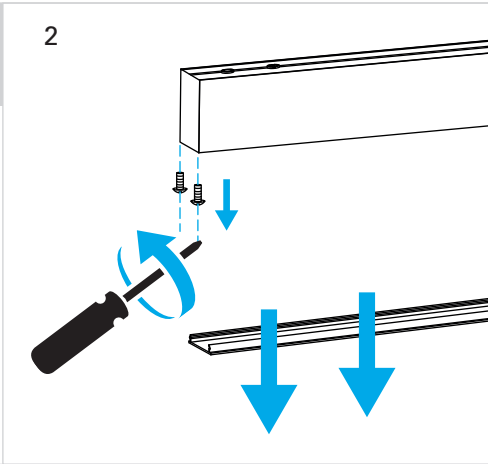
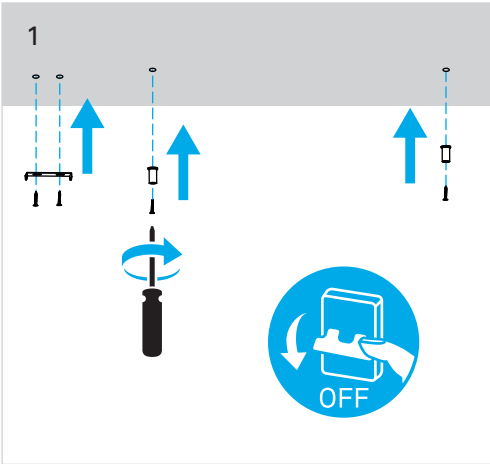
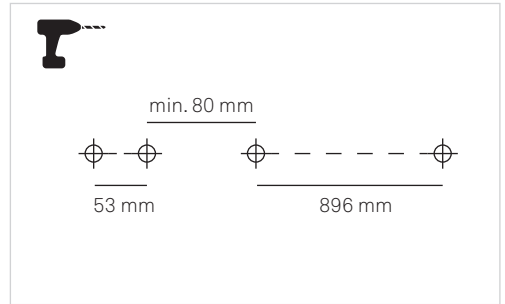
FOR LIGHT

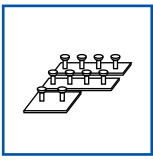




NOT INCLUDED

TC-0452
TC-0453





NOT INCLUDED

TC-0454

