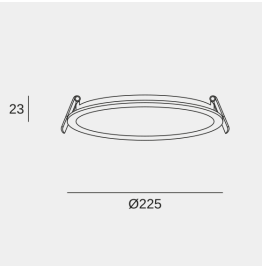


**CARACTERÍSTICAS TÉCNICAS**



Potencia total luminaria : 17W

Lúmenes reales : 1495 (4000K)

Lúmenes nominales : 1675

Lm / W reales : 88

Temperatura de color correlacionada (CCT) : TW 3000-6000K

Ángulo Ópticas / Reflector : HORIZONTAL 112°

Material de la estructura : Aluminio

Acabado estructura : Blanco

Material del difusor : Acrílico

Acabado difusor : Opal

Voltaje / Frecuencia : 100-240V ~ 50/60Hz

Protocolo de regulación : LIGHT FOR LIFE

Power Factor : 0.50

Vida útil : 36.000h L70B30

Garantía : 2 Años

Luminaria fácilmente reciclable

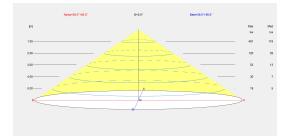
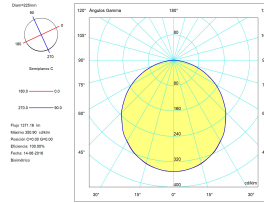
**CARACTERÍSTICAS LUMINOTÉCNICAS**

CRI: 80

MacAdam steps: 3, 5

Riesgo fotobiológico: RG1

Portalámparas	Cantidad	Potencia fuente de luz (W)
LED	1	15.5W



**LOGÍSTICA**

Peso neto (Kg): 0.41

Peso embalado (Kg): 0.53

Embalaje: 255mm x 45mm x 235mm





**Luminaire**

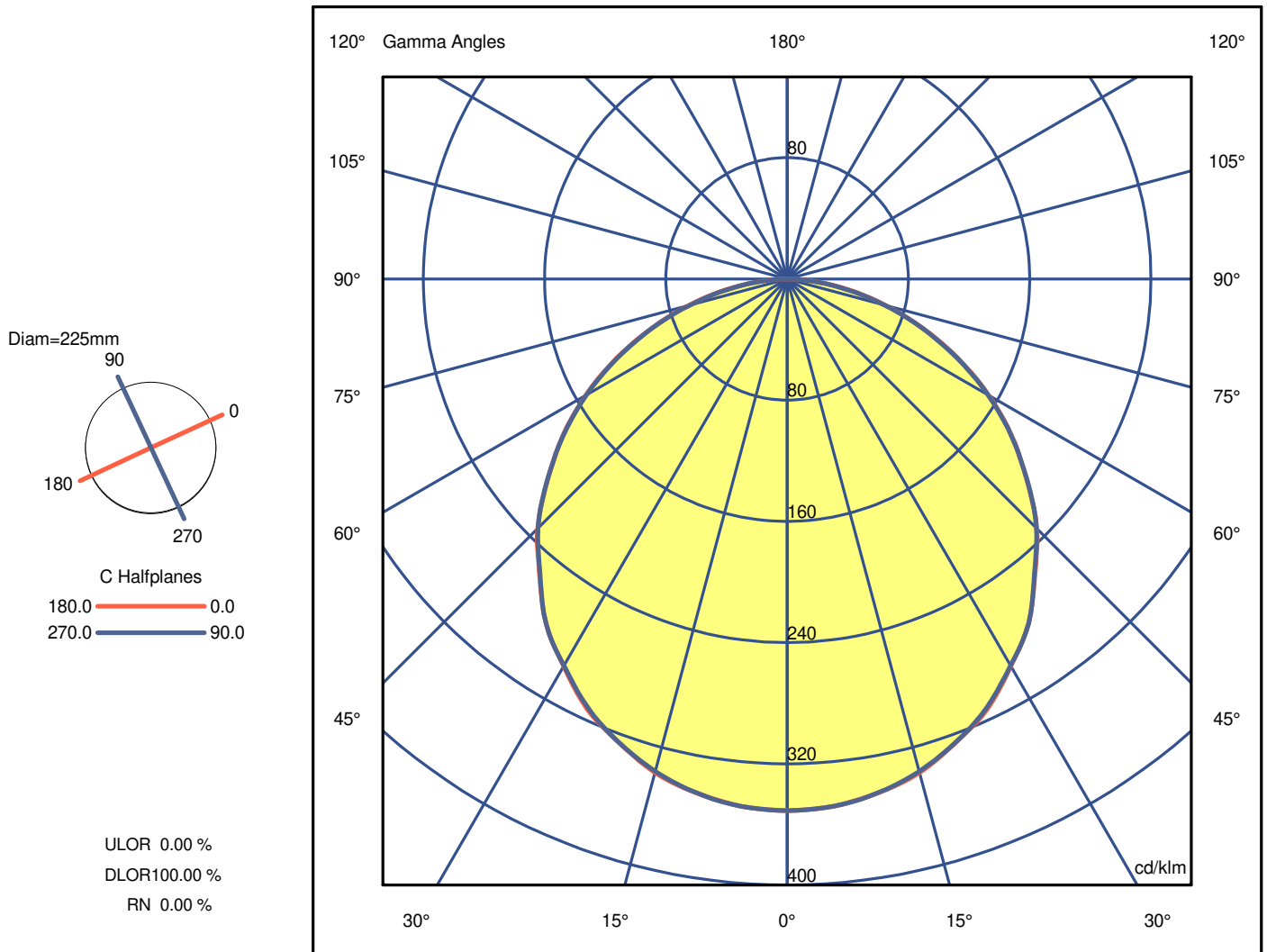
Code TC-0494-BLA  
Name EASY

**Measurement**

Code TC-0494-BLA  
Name EASY

Luminaire Flux	1371.15 lm	Luminaire Power	18.00 W	Efficacy	76.18 lm/W	Efficiency	100.00%
Sources Flux	1371.16 lm	Maximum value	350.90 cd/klm	Position	C=0.00 G=0.00	CG	Double Symmetrical
Round Luminaire		Diam.	225 mm	Height	3 mm		
Round Luminous Area		Diam.	175 mm	Height	0 mm		
Horizontal Luminous Area			0.024053 m2	Emitting area on Plane 180°			0.000000 m2
Emitting area on Plane 0°			0.000000 m2	Emitting area on Plane 270°			0.000000 m2
Emitting area on Plane 90°			0.000000 m2	Glare area at 76°			0.005819 m2
Coordinate system		CG		Symmetry Type			Double Symmetrical
Date		14-06-2016		Maximum Gamma Angle			90
Measurement Distance		0.00		Measurement Flux			1371.16 lm
Operator		Asselum T2		Rated Voltage			
Temperature		25.00 °C		Rated Current			
Humidity		60.00 %		Photocell			
Notes							

Line		Code		Luminaire Lamps		Flux [lm]	Pow. [W]	Q.ty
		TC-0494-BLA		TC-0150-BLA		1371.16	18.00	1
C.I.E.	47 78 95 100 100			D DIN 5040	A30			
F UTE	1.00 E			B NBN	BZ 5			





**Luminaire**

Code TC-0494-BLA  
Name EASY

**Measurement**

Code TC-0494-BLA  
Name EASY

Luminaire Flux	1371.15 lm	Luminaire Power	18.00 W	Efficacy	76.18 lm/W	Efficiency	100.00%
Sources Flux	1371.16 lm	Maximum value	350.90 cd/klm	Position	C=0.00 G=0.00	CG	Double Symmetrical

**Luminous Intensity Table cd/klm Table 1/1**

	C 0.00	C 15.00	C 30.00	C 45.00	C 60.00	C 75.00	C 90.00
G 0.0	350.90	350.90	350.90	350.90	350.90	350.90	350.90
G 5.0	349.21	349.22	349.31	349.18	349.27	349.16	349.30
G 10.0	344.38	344.40	344.43	344.48	344.33	344.32	344.33
G 15.0	337.20	336.33	336.48	336.29	336.34	336.34	336.35
G 20.0	325.36	325.63	325.35	325.83	325.27	325.47	325.23
G 25.0	312.72	311.30	312.42	311.87	311.45	311.49	311.76
G 30.0	294.98	295.54	294.86	295.33	295.11	295.38	294.65
G 35.0	277.47	276.07	277.22	276.30	276.70	276.26	277.49
G 40.0	254.17	255.78	254.22	254.92	255.80	255.45	253.71
G 45.0	232.82	231.65	232.59	231.50	232.74	231.39	232.53
G 50.0	206.34	207.65	205.74	207.04	207.51	207.44	206.61
G 55.0	181.02	180.56	181.06	180.57	180.57	180.85	180.54
G 60.0	153.33	153.32	152.62	152.91	152.40	152.52	152.97
G 65.0	124.65	124.05	124.30	124.06	123.96	123.83	123.92
G 70.0	95.35	95.42	95.36	95.15	94.71	94.92	94.72
G 75.0	67.32	67.39	67.32	66.83	66.64	66.71	66.46
G 80.0	41.59	41.15	41.34	40.55	40.54	40.28	40.05
G 85.0	17.59	18.31	17.53	17.73	17.30	17.91	17.13
G 90.0	0.96	0.98	0.96	1.01	0.94	0.98	0.95



**Luminaire**

Code TC-0494-BLA  
Name EASY

**Measur.**

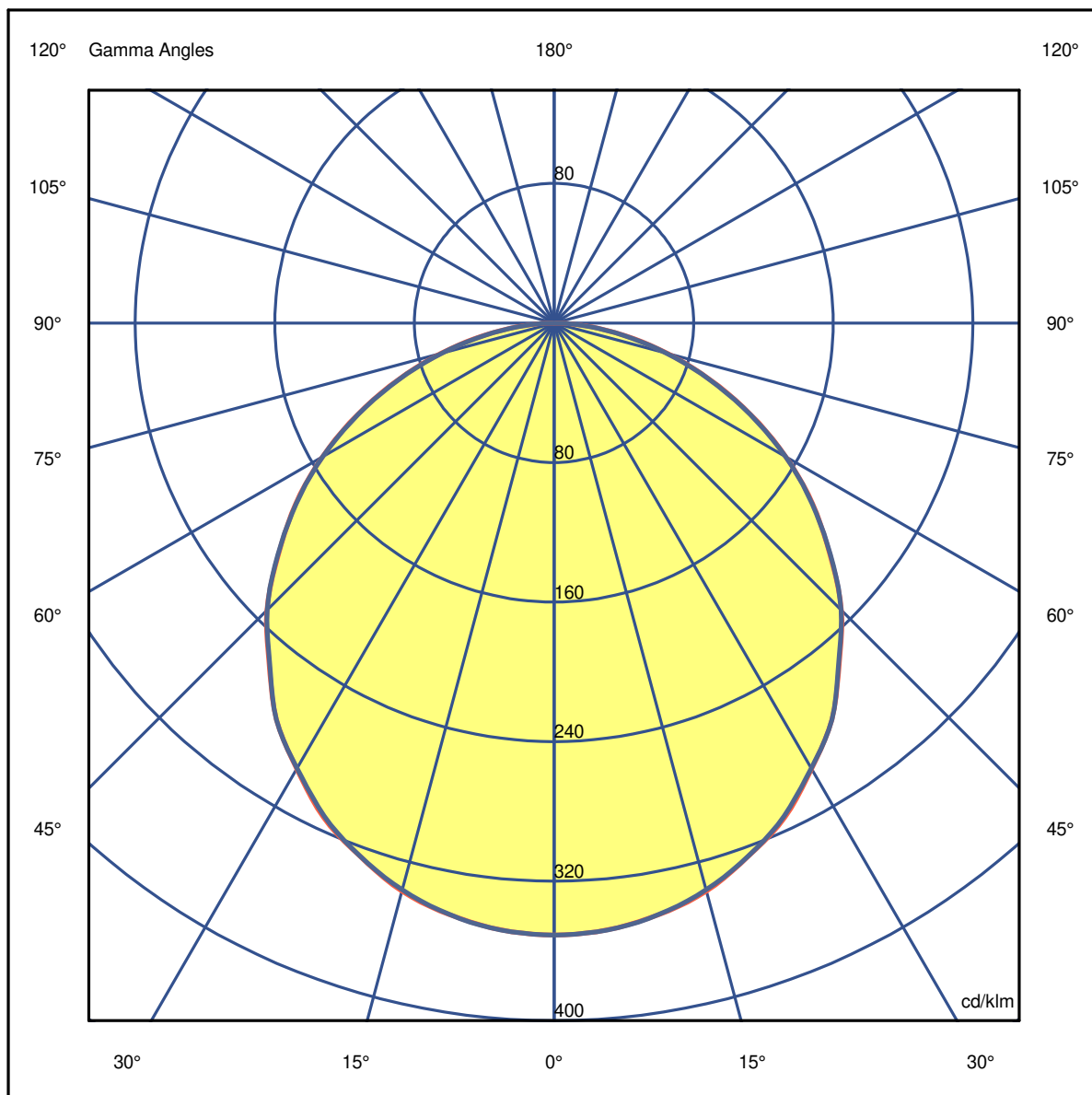
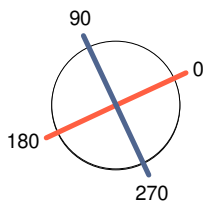
Code TC-0494-BLA  
Name EASY

Luminaire Flux	1371.15 lm	Luminaire Power	18.00 W	Efficacy	76.18 lm/W	Efficiency	100.00%
Sources Flux	1371.16 lm	Maximum value	350.90 cd/klm	Position	C=0.00 G=0.00	CG	Double Symmetrical

Diam=225mm

C Halfplanes

180.0 ———— 0.0  
270.0 ———— 90.0





**Luminaire**

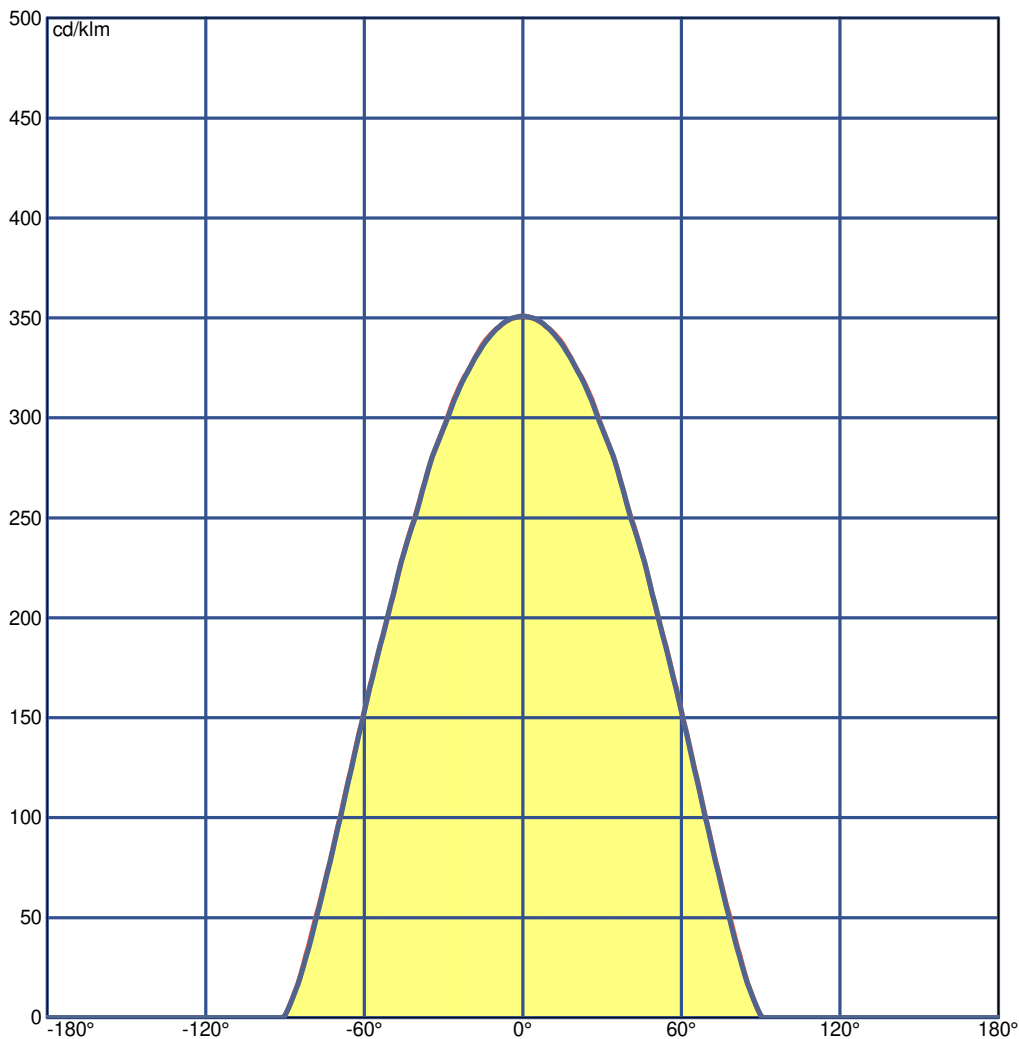
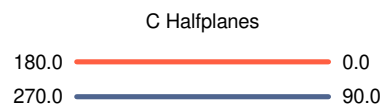
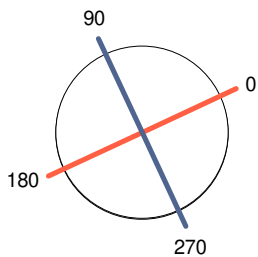
Code TC-0494-BLA  
Name EASY

**Measurement**

Code TC-0494-BLA  
Name EASY

Luminaire Flux	1371.15 lm	Luminaire Power	18.00 W	Efficacy	76.18 lm/W	Efficiency	100.00%
Sources Flux	1371.16 lm	Maximum value	350.90 cd/klm	Position	C=0.00 G=0.00	CG	Double Symmetrical

Diam=225mm





**Luminaire**

Code TC-0494-BLA  
Name EASY

**Measurement**

Code TC-0494-BLA  
Name EASY

Luminaire Flux	1371.15 lm	Luminaire Power	18.00 W	Efficacy	76.18 lm/W	Efficiency	100.00%
Sources Flux	1371.16 lm	Maximum value	350.90 cd/klm	Position	C=0.00 G=0.00	CG	Double Symmetrical

**UGR**  
S = 0.250

Reflectancies										
Ceiling/Cavity	0.7	0.7	0.5	0.5	0.3	0.7	0.7	0.5	0.5	0.3
Walls	0.5	0.3	0.5	0.3	0.3	0.5	0.3	0.5	0.3	0.3
WorkingPlane	0.2	0.2	0.2	0.2	0.2	0.2	0.2	0.2	0.2	0.2
RoomDimensions	Viewed Crosswise					Viewed Endwise				
x=2H y=2H	22.5	23.8	22.8	24.1	24.3	22.5	23.8	22.8	24.0	24.3
x=2H y=3H	24.1	25.3	24.5	25.6	25.9	24.1	25.3	24.4	25.6	25.9
x=2H y=4H	24.8	25.9	25.1	26.2	26.5	24.8	25.9	25.1	26.2	26.5
x=2H y=6H	25.3	26.4	25.7	26.7	27.0	25.2	26.3	25.6	26.6	26.9
x=2H y=8H	25.5	26.5	25.8	26.8	27.1	25.4	26.4	25.8	26.7	27.1
x=2H y=12H	25.6	26.5	26.0	26.9	27.2	25.5	26.5	25.9	26.8	27.1
x=4H y=2H	23.3	24.4	23.6	24.7	25.0	23.3	24.4	23.6	24.7	25.0
x=4H y=3H	25.1	26.0	25.5	26.4	26.7	25.1	26.0	25.4	26.3	26.7
x=4H y=4H	25.9	26.7	26.3	27.1	27.5	25.8	26.7	26.2	27.1	27.4
x=4H y=6H	26.5	27.2	26.9	27.6	28.0	26.5	27.2	26.9	27.6	28.0
x=4H y=8H	26.7	27.4	27.2	27.8	28.2	26.7	27.4	27.1	27.7	28.2
x=4H y=12H	26.9	27.5	27.3	27.9	28.4	26.8	27.5	27.3	27.9	28.3
x=8H y=4H	26.2	26.9	26.7	27.3	27.7	26.2	26.9	26.6	27.3	27.7
x=8H y=6H	27.0	27.6	27.5	28.0	28.5	26.9	27.5	27.4	28.0	28.4
x=8H y=8H	27.3	27.8	27.8	28.2	28.7	27.2	27.7	27.7	28.2	28.7
x=8H y=12H	27.5	28.0	28.0	28.4	28.9	27.5	27.9	27.9	28.4	28.9
x=12H y=4H	26.3	26.9	26.7	27.3	27.7	26.2	26.9	26.7	27.3	27.7
x=12H y=6H	27.1	27.6	27.6	28.0	28.5	27.0	27.5	27.5	28.0	28.4
x=12H y=8H	27.4	27.8	27.9	28.3	28.8	27.4	27.8	27.8	28.3	28.7



**Luminaire**

Code TC-0494-BLA  
 Name EASY  
**Measurerm.**  
 Code TC-0494-BLA  
 Name EASY

Luminaire Flux	1371.15 lm	Luminaire Power	18.00 W	Efficacy	76.18 lm/W	Efficiency	100.00%
Sources Flux	1371.16 lm	Maximum value	350.90 cd/klm	Position	C=0.00 G=0.00	CG	Double Symmetrical

Total Flux=1371.16 Luminaire Flux=1371.15

RI	0.60	0.80	1.00	1.25	1.50	2.00	2.50	3.00	4.00	5.00	10.00	20.00
DRR	0.30	0.39	0.46	0.54	0.59	0.68	0.74	0.78	0.83	0.86	0.93	0.96
RC	5	5	5	5	5	5	5	5	5	5	5	4

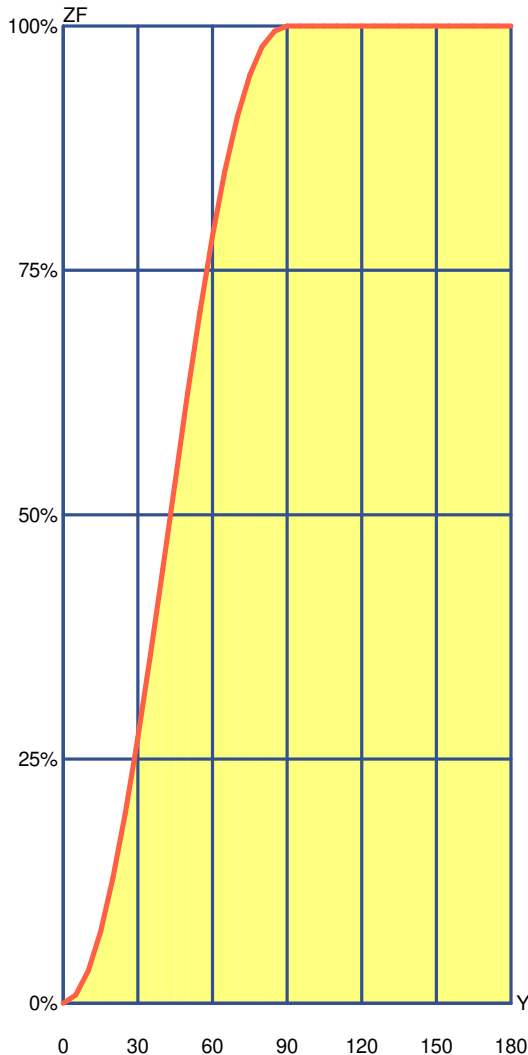
Zonal Flux per 1000 Lumen

Y°	10	20	30	40	50	60	70	80	90	100	110	120	130	140	150	160	170	180
ZF(Y)	33	128	272	445	624	785	908	979	1000	1000	1000	1000	1000	1000	1000	1000	1000	1000

CIE Flux Codes

47 78 95 100 100

C.I.E.	5/5/5/5/5/5/5/5/5/4	LOR	99.99956 %
D DIN 5040	A30	ULOR	0.00000 %
F UTE	1.00 E	DLOR	99.99956 %
B NBN	BZ 5	UFF	0.00000 %
RN	0.00000 %	DFF	100.00000 %
BLF	1.0	FFR	0.00000 %



Gamma °	Zonal Flux			
	Flux	Sum lm	Flux [%]	Sum [%]
0°	0.00	0.00	0.00%	0.00 %
5°	8.37	8.37	0.84 %	0.84 %
10°	24.81	33.18	2.48 %	3.32 %
15°	40.39	73.57	4.04 %	7.36 %
20°	54.55	128.12	5.46 %	12.81 %
25°	66.84	194.96	6.68 %	19.50 %
30°	76.81	271.77	7.68 %	27.18 %
35°	84.21	355.98	8.42 %	35.60 %
40°	88.71	444.68	8.87 %	44.47 %
45°	90.19	534.88	9.02 %	53.49 %
50°	88.72	623.60	8.87 %	62.36 %
55°	84.30	707.90	8.43 %	70.79 %
60°	77.10	785.00	7.71 %	78.50 %
65°	67.31	852.31	6.73 %	85.23 %
70°	55.50	907.81	5.55 %	90.78 %
75°	42.36	950.17	4.24 %	95.02 %
80°	28.83	979.00	2.88 %	97.90 %
85°	15.89	994.89	1.59 %	99.49 %
90°	5.11	1000.00	0.51 %	100.00 %
95°	0.00	1000.00	0.00 %	100.00 %
100°	0.00	1000.00	0.00 %	100.00 %
105°	0.00	1000.00	0.00 %	100.00 %
110°	0.00	1000.00	0.00 %	100.00 %
115°	0.00	1000.00	0.00 %	100.00 %
120°	0.00	1000.00	0.00 %	100.00 %
125°	0.00	1000.00	0.00 %	100.00 %
130°	0.00	1000.00	0.00 %	100.00 %
135°	0.00	1000.00	0.00 %	100.00 %
140°	0.00	1000.00	0.00 %	100.00 %
145°	0.00	1000.00	0.00 %	100.00 %
150°	0.00	1000.00	0.00 %	100.00 %
155°	0.00	1000.00	0.00 %	100.00 %
160°	0.00	1000.00	0.00 %	100.00 %
165°	0.00	1000.00	0.00 %	100.00 %
170°	0.00	1000.00	0.00 %	100.00 %
175°	0.00	1000.00	0.00 %	100.00 %
180°	0.00	1000.00	0.00 %	100.00 %



**Luminaire**  
 Code TC-0494-BLA  
 Name EASY  
**Measurerm.**  
 Code TC-0494-BLA  
 Name EASY

Luminaire Flux	1371.15 lm	Luminaire Power	18.00 W	Efficacy	76.18 lm/W	Efficiency	100.00%
Sources Flux	1371.16 lm	Maximum value	350.90 cd/klm	Position	C=0.00 G=0.00	CG	Double Symmetrical

Utilizations CIE

Mounting      Direct                      Normalization                      Normalised                      Suspension Ratid/3                      Standard CIE Settings

Ceiling

K	8873	8773	8871	8771	7773	7771	7753	7553	7751	7551	7731	7331	7711	7111	5551	5531	5331	5511	5111	3331	3311	1111	0000
0.60	218	195	171	155	186	148	111	95	87	74	46	35	17	12	70	37	33	14	11	31	12	10	0
0.80	252	231	183	169	220	161	140	123	100	88	56	45	23	17	82	47	42	20	16	40	17	15	0
1.00	275	256	185	173	243	166	163	146	107	96	63	52	29	22	90	54	49	25	21	47	22	20	0
1.25	295	277	182	173	264	166	187	170	112	102	69	59	36	29	96	60	56	31	27	53	28	25	0
1.50	309	293	178	170	279	164	206	189	114	106	74	65	42	34	100	65	61	37	33	59	33	30	0
2.00	326	314	167	162	299	156	234	219	115	108	80	72	51	44	103	72	69	46	42	66	43	39	0
2.50	338	327	159	154	312	150	255	241	115	109	84	77	58	52	104	77	74	54	50	71	50	46	0
3.00	346	336	152	148	321	144	270	258	114	110	87	81	64	58	105	81	78	60	56	75	56	52	0
4.00	357	349	143	141	334	137	292	282	113	110	92	87	72	67	105	86	84	68	65	81	64	61	0
5.00	364	358	137	136	343	133	307	298	113	110	95	90	78	73	106	89	87	74	71	85	70	67	0
10.00	379	376	124	124	360	122	340	335	111	110	101	98	91	88	106	97	96	88	86	93	85	82	0
20.00	386	385	117	116	370	115	359	356	109	109	104	103	99	97	106	101	100	96	95	98	93	91	0

Wall

K	8873	8773	8871	8771	7773	7771	7753	7553	7751	7551	7731	7331	7711	7111	5551	5531	5331	5511	5111	3331	3311	1111	0000
0.60	469	457	410	402	450	397	355	347	321	315	269	264	231	230	312	265	263	230	229	262	229	229	209
0.80	528	515	448	440	506	435	412	402	363	357	311	306	272	270	352	306	304	270	269	302	269	268	244
1.00	567	554	469	462	542	455	452	442	389	383	340	334	301	298	378	334	331	299	297	329	297	296	269
1.25	600	589	484	478	574	471	490	479	411	406	365	359	328	325	399	358	356	325	323	353	323	321	291
1.50	625	614	494	488	598	481	519	508	427	422	384	378	349	345	414	376	374	345	343	370	342	339	307
2.00	649	639	495	491	620	483	553	542	439	435	402	397	371	367	426	394	391	366	364	387	362	358	322
2.50	663	655	493	490	634	482	574	564	445	441	413	408	385	380	431	404	402	379	377	396	374	370	331
3.00	671	664	489	486	641	479	588	579	447	443	418	414	394	389	433	409	407	387	384	401	381	376	335
4.00	687	681	489	487	656	480	613	604	454	451	431	427	410	405	441	420	419	402	400	412	395	389	345
5.00	698	693	490	489	667	481	630	623	460	458	440	437	422	418	447	430	428	414	411	420	406	399	353
10.00	722	719	492	491	691	484	669	664	472	471	460	458	449	447	459	449	448	439	438	438	430	421	371
20.00	726	724	482	482	694	475	682	679	469	468	462	461	456	454	456	450	450	445	444	439	434	425	372

Working Pl.

K	8873	8773	8871	8771	7773	7771	7753	7553	7751	7551	7731	7331	7711	7111	5551	5531	5331	5511	5111	3331	3311	1111	0000
0.60	593	581	554	544	573	538	457	449	440	434	373	368	325	323	430	369	367	323	322	366	322	322	304
0.80	701	687	646	636	675	628	558	548	533	526	464	458	413	410	519	458	456	411	409	453	409	408	389
1.00	786	771	716	707	755	697	642	630	607	600	541	534	489	485	592	532	530	485	483	526	483	481	463
1.25	865	851	780	772	831	760	724	711	678	671	615	607	564	559	661	605	602	559	557	597	556	553	535
1.50	924	910	826	818	888	806	787	774	731	724	672	664	623	617	712	660	657	617	614	651	612	608	591
2.00	1000	998	890	885	970	872	883	869	810	804	758	750	714	708	789	745	742	706	703	733	700	694	678
2.50	1000	1000	930	926	1000	913	948	934	860	854	815	807	776	769	838	800	797	766	762	787	758	750	736
3.00	1000	1000	957	954	1000	941	994	981	895	890	855	848	820	813	873	839	837	809	805	826	799	791	777
4.00	1000	1000	990	987	1000	974	1000	1000	938	934	905	899	876	869	915	888	886	863	859	873	851	840	827
5.00	1000	1000	1000	1000	1000	994	1000	1000	964	960	936	931	911	905	941	918	916	896	893	902	883	871	859
10.00	1000	1000	1000	1000	1000	1000	1000	1000	1000	1000	1000	1000	999	988	984	995	982	981	970	967	963	953	926
20.00	1000	1000	1000	1000	1000	1000	1000	1000	1000	1000	1000	1000	1000	1000	1000	1000	1000	1000	1000	997	992	973	963

LM53 SHR C0-C180: 1.250    SHR C90-C270: 1.250    SHR Square: 1.370



**Luminaire**

Code TC-0494-BLA  
Name EASY

**Measurem.**

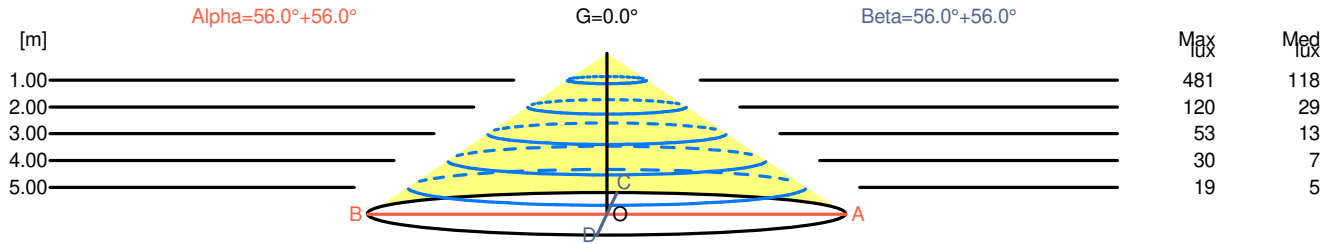
Code TC-0494-BLA  
Name EASY

Luminaire Flux	1371.15 lm	Luminaire Power	18.00 W	Efficacy	76.18 lm/W	Efficiency	100.00%
Sources Flux	1371.16 lm	Maximum value	350.90 cd/klm	Position	C=0.00 G=0.00	CG	Double Symmetrical

Width at 50.00 % of Max Intensity

H[m]	1.00	2.00	3.00	4.00	5.00	H[m]	1.00	2.00	3.00	4.00	5.00
OA	1.49	2.97	4.46	5.94	7.43	OC	1.48	2.96	4.44	5.92	7.40
OB	1.49	2.97	4.46	5.94	7.43	OD	1.48	2.96	4.44	5.92	7.40

	Luminous Intensities [ cd/klm ]									
	0	5	15	25	35	45	55	65	75	85
OA	481.14	478.82	462.36	428.79	380.46	319.23	248.21	170.92	92.31	24.12
OB	481.14	478.82	462.36	428.79	380.46	319.23	248.21	170.92	92.31	24.12
OC	481.14	478.95	461.18	427.47	380.48	318.83	247.55	169.91	91.13	23.48
OD	481.14	478.95	461.18	427.47	380.48	318.83	247.55	169.91	91.13	23.48



H[m]	D[m]	Max lux	Med lux	Alpha=56.0°+56.0°	G=0.0	
1.00	2.97	481	118			
2.00	5.94	120	29			
3.00	8.91	53	13			
4.00	11.88	30	7			
5.00	14.85	19	5			

H[m]	D[m]	Max lux	Med lux	Beta=56.0°+56.0°	G=0.0	
1.00	2.96	481	118			
2.00	5.92	120	29			
3.00	8.88	53	13			
4.00	11.84	30	7			
5.00	14.80	19	5			



**Luminaire**

Code TC-0494-BLA

Name EASY

**Measurem.**

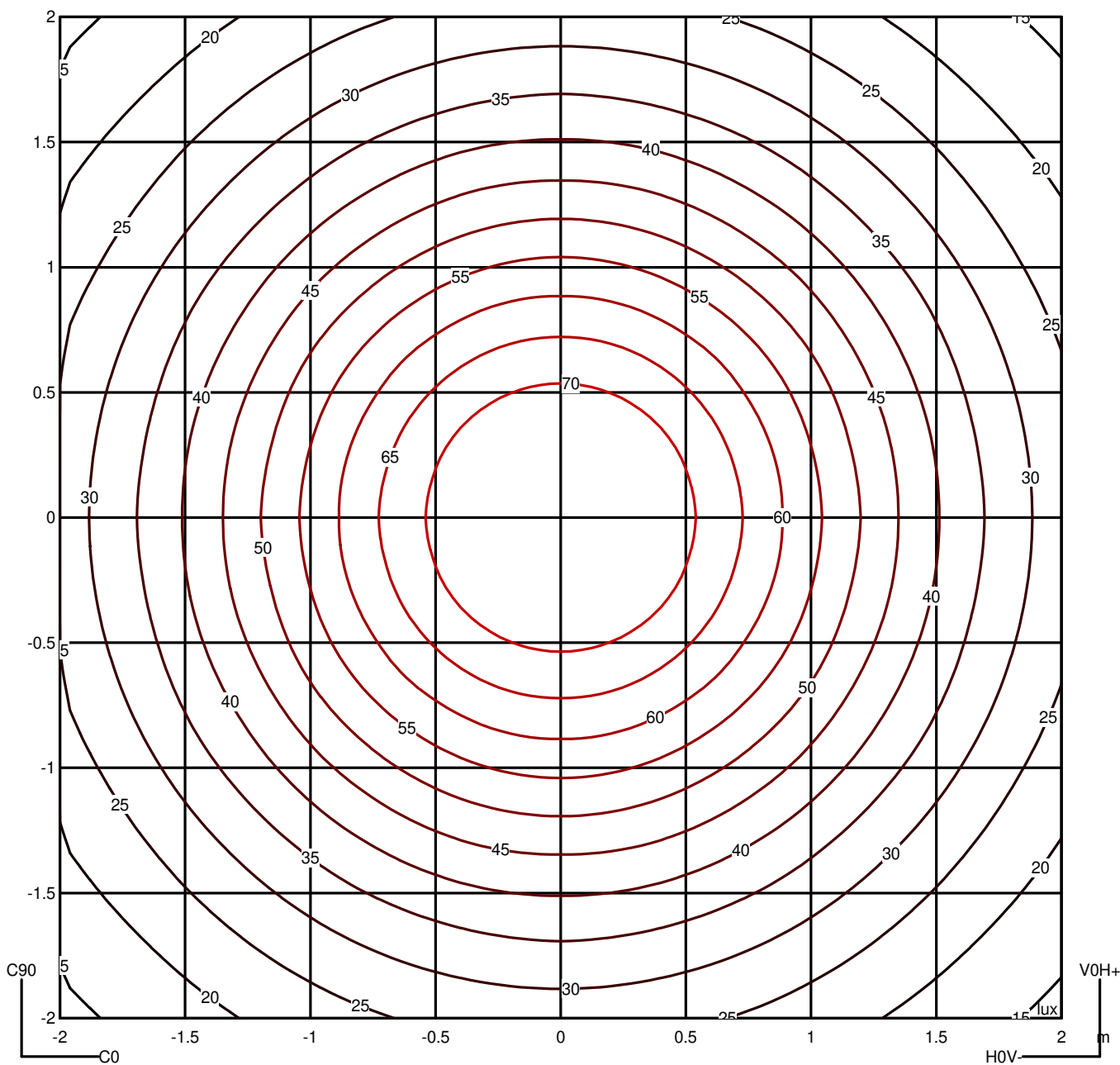
Code TC-0494-BLA

Name EASY

Luminaire Flux	1371.15 lm	Luminaire Power	18.00 W	Efficacy	76.18 lm/W	Efficiency	100.00%
Sources Flux	1371.16 lm	Maximum value	350.90 cd/klm	Position	C=0.00 G=0.00	CG	Double Symmetrical

Isolux (Floor)

Luminaire position X=0.00m Y=0.00m Z=2.50m





**Luminaire**

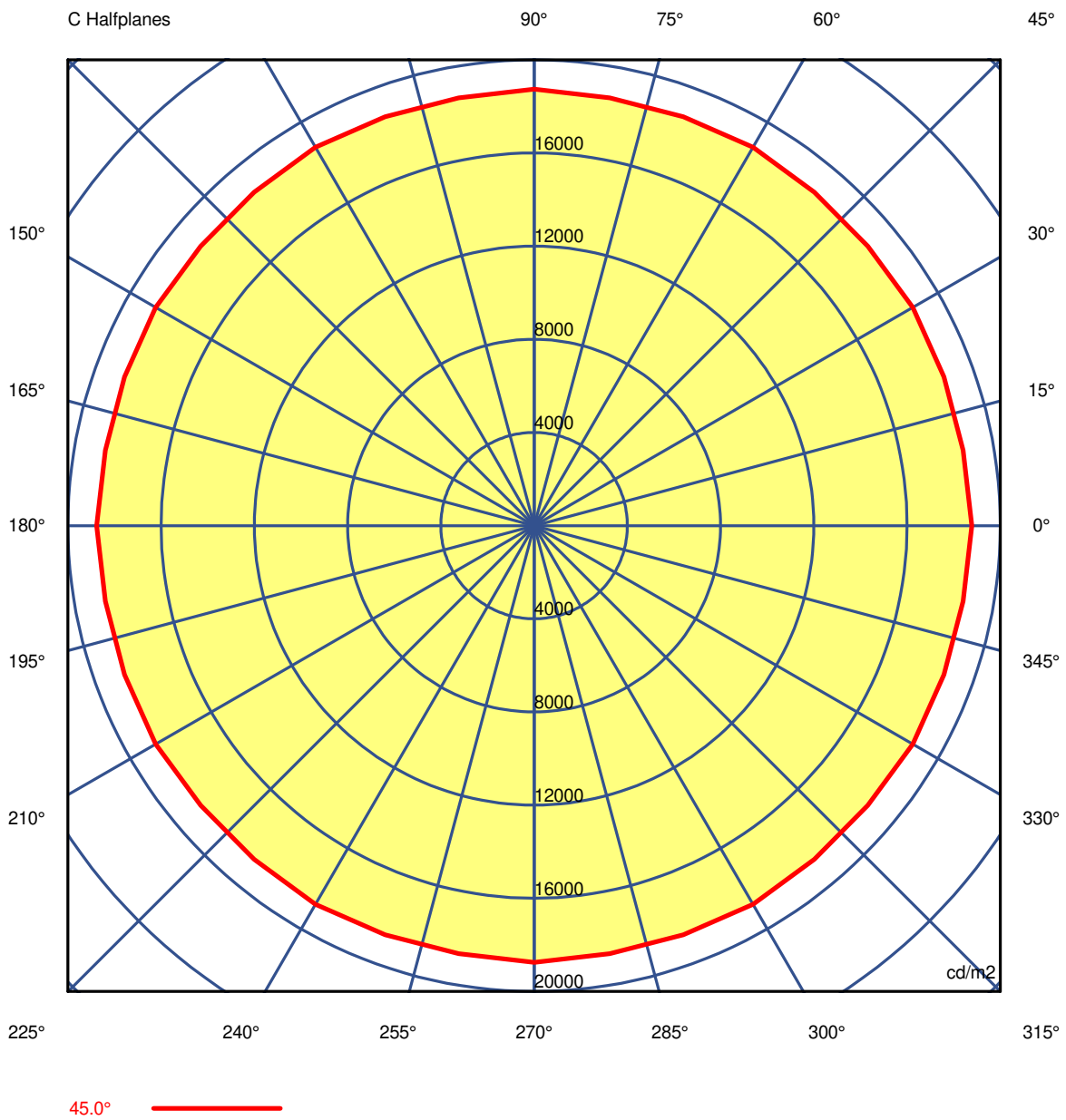
Code TC-0494-BLA  
Name EASY

**Measurement**

Code TC-0494-BLA  
Name EASY

Luminaire Flux	1371.15 lm	Luminaire Power	18.00 W	Efficacy	76.18 lm/W	Efficiency	100.00%
Sources Flux	1371.16 lm	Maximum value	350.90 cd/klm	Position	C=0.00 G=0.00	CG	Double Symmetrical

Luminance





**Luminaire**

Code TC-0494-BLA  
Name EASY

**Measurement**

Code TC-0494-BLA  
Name EASY

Luminaire Flux	1371.15 lm	Luminaire Power	18.00 W	Efficacy	76.18 lm/W	Efficiency	100.00%
Sources Flux	1371.16 lm	Maximum value	350.90 cd/klm	Position	C=0.00 G=0.00	CG	Double Symmetrical

**Luminance cd/m2 Table 1/3**

	C 0.00	C 10.00	C 20.00	C 30.00	C 40.00	C 50.00	C 60.00	C 70.00	C 80.00	C 90.00	C 100.00	C 110.00	C 120.00
G 0.0	20003.60	20003.60	20003.60	20003.60	20003.60	20003.60	20003.60	20003.60	20003.60	20003.60	20003.60	20003.60	20003.60
G 5.0	19983.25	19983.65	19986.24	19989.01	19983.22	19982.57	19986.72	19982.25	19981.16	19988.55	19981.16	19982.25	19986.72
G 10.0	19934.88	19935.41	19936.04	19937.81	19940.85	19938.27	19931.81	19931.32	19931.43	19931.59	19931.43	19931.32	19931.81
G 15.0	19900.87	19859.98	19849.00	19858.07	19851.43	19848.06	19850.08	19850.08	19850.11	19850.15	19850.11	19850.08	19850.08
G 20.0	19737.61	19753.61	19747.26	19737.50	19760.11	19758.55	19732.50	19738.62	19743.96	19729.90	19743.96	19738.62	19732.50
G 25.0	19669.79	19591.72	19597.78	19650.92	19635.90	19602.02	19589.74	19589.55	19597.31	19609.60	19597.31	19589.55	19589.74
G 30.0	19417.42	19452.28	19439.92	19408.94	19429.08	19438.27	19425.38	19439.74	19435.59	19395.41	19435.59	19439.74	19425.38
G 35.0	19309.87	19222.41	19235.39	19292.53	19250.49	19230.22	19255.85	19231.96	19239.60	19310.92	19239.60	19231.96	19255.85
G 40.0	18914.69	19021.97	19004.40	18917.93	18937.37	18999.99	19035.86	19030.79	18974.40	18880.42	18974.40	19030.79	19035.86
G 45.0	18769.52	18683.69	18701.00	18751.31	18683.00	18690.99	18763.00	18690.96	18657.88	18746.18	18657.88	18690.96	18763.00
G 50.0	18299.06	18413.19	18363.60	18245.96	18308.55	18391.71	18403.31	18404.16	18378.82	18323.74	18378.82	18404.16	18403.31
G 55.0	17991.19	17948.02	17960.33	17994.62	17966.53	17937.54	17946.48	17969.02	17969.91	17943.79	17969.91	17969.02	17946.48
G 60.0	17482.07	17480.99	17451.47	17400.24	17424.21	17421.49	17375.26	17375.04	17405.07	17440.68	17405.07	17375.04	17375.26
G 65.0	16814.05	16746.91	16739.50	16766.31	16748.14	16726.10	16720.18	16707.99	16704.58	16715.42	16704.58	16707.99	16720.18
G 70.0	15892.98	15902.54	15902.73	15893.57	15877.22	15830.21	15786.34	15807.95	15819.62	15787.54	15819.62	15807.95	15786.34
G 75.0	14827.45	14837.43	14845.56	14827.31	14757.28	14694.33	14676.90	14691.17	14683.13	14638.86	14683.13	14691.17	14676.90
G 80.0	13653.56	13525.77	13537.40	13572.90	13396.41	13310.55	13308.66	13262.50	13193.42	13147.10	13193.42	13262.50	13308.66
G 85.0	11507.16	11937.79	11835.12	11467.72	11557.16	11505.70	11318.28	11603.82	11656.21	11201.95	11656.21	11603.82	11318.28
G 90.0	0.00	0.00	0.00	0.00	0.00	0.00	0.00	0.00	0.00	0.00	0.00	0.00	0.00



**Luminaire**

Code TC-0494-BLA

Name EASY

**Measurement**

Code TC-0494-BLA

Name EASY

Luminaire Flux	1371.15 lm	Luminaire Power	18.00 W	Efficacy	76.18 lm/W	Efficiency	100.00%
Sources Flux	1371.16 lm	Maximum value	350.90 cd/klm	Position	C=0.00 G=0.00	CG	Double Symmetrical

**Luminance cd/m2 Table 2/3**

	C 130.00	C 140.00	C 150.00	C 160.00	C 170.00	C 180.00	C 190.00	C 200.00	C 210.00	C 220.00	C 230.00	C 240.00	C 250.00
G 0.0	20003.60	20003.60	20003.60	20003.60	20003.60	20003.60	20003.60	20003.60	20003.60	20003.60	20003.60	20003.60	20003.60
G 5.0	19982.57	19983.22	19989.01	19986.24	19983.65	19983.25	19983.65	19986.24	19989.01	19983.22	19982.57	19986.72	19982.25
G 10.0	19938.27	19940.85	19937.81	19936.04	19935.41	19934.88	19935.41	19936.04	19937.81	19940.85	19938.27	19931.81	19931.32
G 15.0	19848.06	19851.43	19858.07	19849.00	19859.98	19900.87	19859.98	19849.00	19858.07	19851.43	19848.06	19850.08	19850.08
G 20.0	19758.55	19760.11	19737.50	19747.26	19753.61	19737.61	19753.61	19747.26	19737.50	19760.11	19758.55	19732.50	19738.62
G 25.0	19602.02	19635.90	19650.92	19597.78	19591.72	19669.79	19591.72	19597.78	19650.92	19635.90	19602.02	19589.74	19589.55
G 30.0	19438.27	19429.08	19408.94	19439.92	19452.28	19417.42	19452.28	19439.92	19408.94	19429.08	19438.27	19425.38	19439.74
G 35.0	19230.22	19250.49	19292.53	19235.39	19222.41	19309.87	19222.41	19235.39	19292.53	19250.49	19230.22	19255.85	19231.96
G 40.0	18999.90	18937.37	18917.93	19004.40	19021.97	18914.69	19021.97	19004.40	18917.93	18937.37	18999.90	19035.86	19030.79
G 45.0	18690.99	18683.00	18751.31	18701.00	18683.69	18769.52	18683.69	18701.00	18751.31	18683.00	18690.99	18763.00	18690.96
G 50.0	18391.71	18308.55	18245.96	18363.60	18413.19	18299.06	18413.19	18363.60	18245.96	18308.55	18391.71	18403.31	18404.16
G 55.0	17937.54	17966.53	17994.62	17960.33	17948.02	17991.19	17948.02	17960.33	17994.62	17966.53	17937.54	17946.48	17969.02
G 60.0	17421.49	17424.21	17400.24	17451.47	17480.99	17482.07	17480.99	17451.47	17400.24	17424.21	17421.49	17375.26	17375.04
G 65.0	16726.10	16748.14	16766.31	16739.50	16746.91	16814.05	16746.91	16739.50	16766.31	16748.14	16726.10	16720.18	16707.99
G 70.0	15830.21	15877.22	15893.57	15902.73	15902.54	15892.98	15902.54	15902.73	15893.57	15877.22	15830.21	15786.34	15807.95
G 75.0	14694.33	14757.28	14827.31	14845.56	14837.43	14827.45	14837.43	14845.56	14827.31	14757.28	14694.33	14676.90	14691.17
G 80.0	13310.55	13396.41	13572.90	13537.40	13525.77	13653.56	13525.77	13537.40	13572.90	13396.41	13310.55	13308.66	13262.50
G 85.0	11505.70	11557.16	11467.72	11835.12	11937.79	11507.16	11937.79	11835.12	11467.72	11557.16	11505.70	11318.28	11603.82
G 90.0	0.00	0.00	0.00	0.00	0.00	0.00	0.00	0.00	0.00	0.00	0.00	0.00	0.00



**Luminaire**

Code TC-0494-BLA  
Name EASY

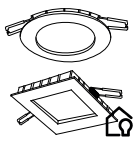
**Measurem.**

Code TC-0494-BLA  
Name EASY

Luminaire Flux	1371.15 lm	Luminaire Power	18.00 W	Efficacy	76.18 lm/W	Efficiency	100.00%
Sources Flux	1371.16 lm	Maximum value	350.90 cd/klm	Position	C=0.00 G=0.00	CG	Double Symmetrical

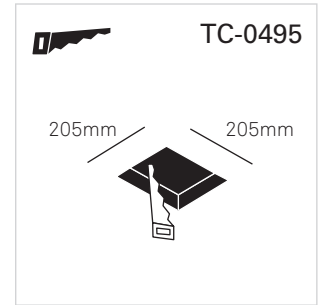
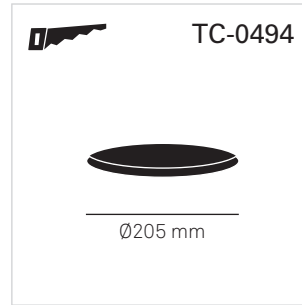
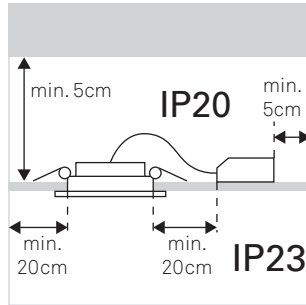
**Luminance cd/m2 Table 3/3**

	C 260.00	C 270.00	C 280.00	C 290.00	C 300.00	C 310.00	C 320.00	C 330.00	C 340.00	C 350.00
G 0.0	20003.60	20003.60	20003.60	20003.60	20003.60	20003.60	20003.60	20003.60	20003.60	20003.60
G 5.0	19981.16	19988.55	19981.16	19982.25	19986.72	19982.57	19983.22	19989.01	19986.24	19983.65
G 10.0	19931.43	19931.59	19931.43	19931.32	19931.81	19938.27	19940.85	19937.81	19936.04	19935.41
G 15.0	19850.11	19850.15	19850.11	19850.08	19850.08	19848.06	19851.43	19858.07	19849.00	19859.98
G 20.0	19743.96	19729.90	19743.96	19738.62	19732.50	19758.55	19760.11	19737.50	19747.26	19753.61
G 25.0	19597.31	19609.60	19597.31	19589.55	19589.74	19602.02	19635.90	19650.92	19597.78	19591.72
G 30.0	19435.59	19395.41	19435.59	19439.74	19425.38	19438.27	19429.08	19408.94	19439.92	19452.28
G 35.0	19239.60	19310.92	19239.60	19231.96	19255.85	19230.22	19250.49	19292.53	19235.39	19222.41
G 40.0	18974.40	18880.42	18974.40	19030.79	19035.86	18999.90	18937.37	18917.93	19004.40	19021.97
G 45.0	18657.88	18746.18	18657.88	18690.96	18763.00	18690.99	18683.00	18751.31	18701.00	18683.69
G 50.0	18378.82	18323.74	18378.82	18404.16	18403.31	18391.71	18308.55	18245.96	18363.60	18413.19
G 55.0	17969.91	17943.79	17969.91	17969.02	17946.48	17937.54	17966.53	17994.62	17960.33	17948.02
G 60.0	17405.07	17440.68	17405.07	17375.04	17375.26	17421.49	17424.21	17400.24	17451.47	17480.99
G 65.0	16704.58	16715.42	16704.58	16707.99	16720.18	16726.10	16748.14	16766.31	16739.50	16746.91
G 70.0	15819.62	15787.54	15819.62	15807.95	15786.34	15830.21	15877.22	15893.57	15902.73	15902.54
G 75.0	14683.13	14638.86	14683.13	14691.17	14676.90	14694.33	14757.28	14827.31	14845.56	14837.43
G 80.0	13193.42	13147.10	13193.42	13262.50	13308.66	13310.55	13396.41	13572.90	13537.40	13525.77
G 85.0	11656.21	11201.95	11656.21	11603.82	11318.28	11505.70	11557.16	11467.72	11835.12	11937.79
G 90.0	0.00	0.00	0.00	0.00	0.00	0.00	0.00	0.00	0.00	0.00



**Easy**  
TC-0494 TC-0495

**FOR**  
LIGHT



**LightForLife**

 2.4 GHz 5GHz	1  ON	2  <a href="http://smartapp.tuya.com/lightforlifsmart">smartapp.tuya.com/lightforlifsmart</a>	 APP	 +
3  ON	4  OFF - ON X3	5  ✓	6  ✓	 <a href="http://leds-c4.com/sites/default/files/media/files/manual-lightforlife-en.pdf">leds-c4.com/sites/default/files/media/files/manual-lightforlife-en.pdf</a>

