

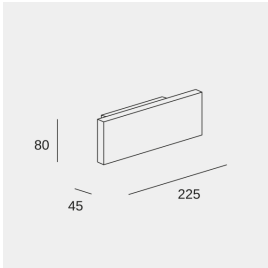


Thin

DE-0509-BLA

Applique murale Thin LED 7.8W 3000K ON-OFF Blanc 860.00

CARACTÉRISTIQUES TECHNIQUES



IP20



Puissance totale du luminaire : 7.8W

Lumens réels : 215

Lumens nominaux : 860

Lm/W réels : 28

Angle des lentilles/Réflecteur : HORIZONTAL 105°

Matière de la structure : Aluminium

Finition structure : Blanc

Matière du diffuseur : Acrylique

Finition diffuseur : Nuancé

Tension/Fréquence : 220-240V/50-60Hz

Protocole de variation : ON-OFF

Power Factor : 0.40

Durée de vie : 36.000h L70B30

Garantie : 5 Ans

Luminaire facilement recyclable

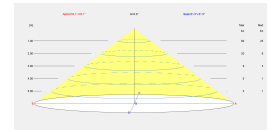
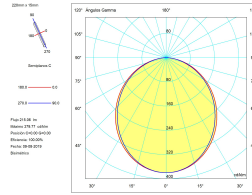
CARACTÉRISTIQUES LUMINOTECHNIQUES

CRI: 80

MacAdam steps: 5

Risque photobiologique: RG1

Douille	Quantité	Puissance source lumineuse (W)	Température de couleur corrélée (CCT)
LED	1	6.4W	3000K



LOGISTIQUE

Poids net (kg): 0.35

Poids emballé (kg): 0.52

Emballage: 125mm x 80mm x 70mm





Luminaire

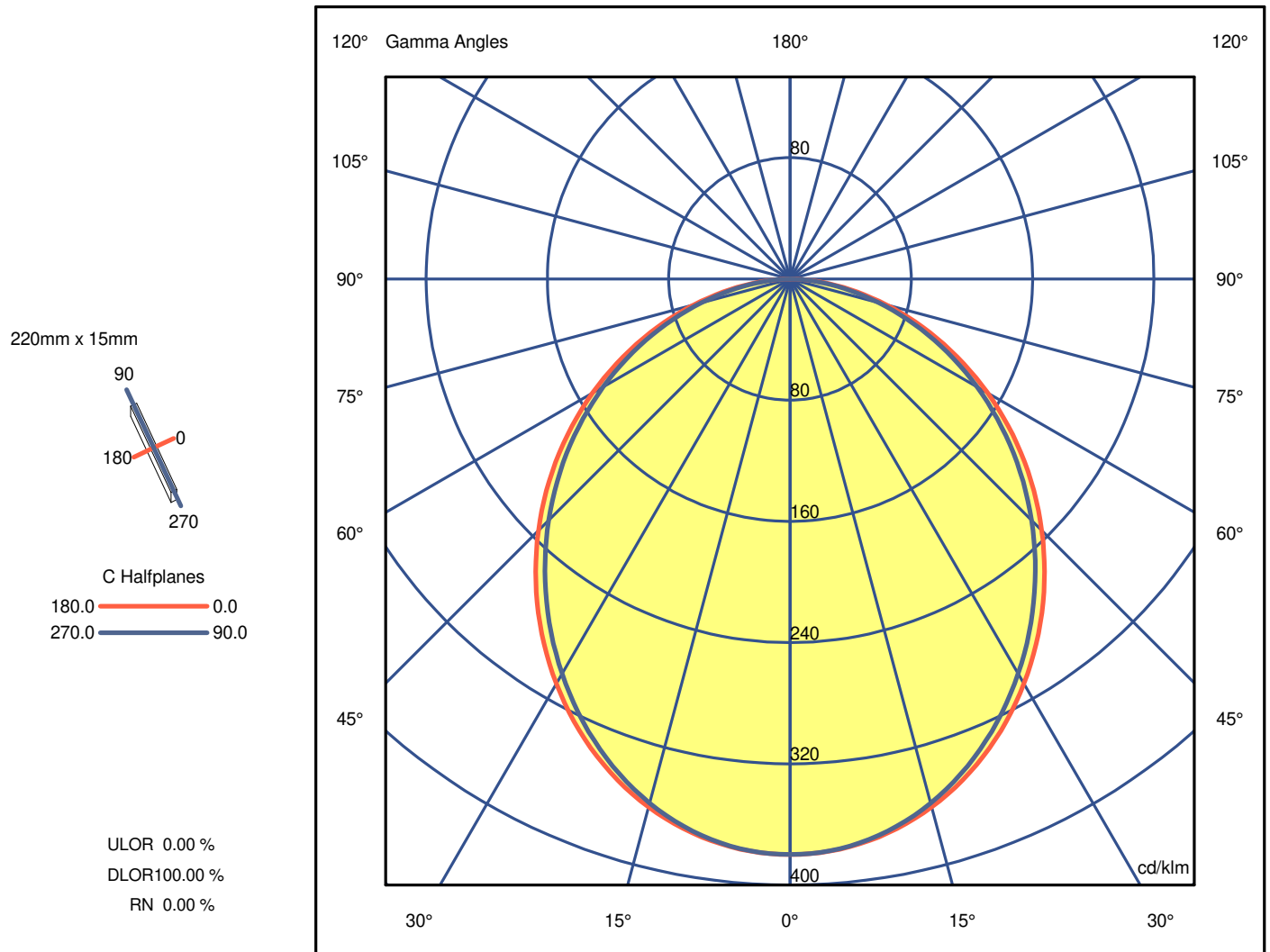
Code DE-0509-BLA
Name THIN

Measurement

Code DE-0509-BLA
Name THIN

Luminaire Flux	215.06 lm	Luminaire Power	7.80 W	Efficacy	27.57 lm/W	Efficiency	100.00%
Sources Flux	215.06 lm	Maximum value	379.77 cd/klm	Position	C=0.00 G=0.00	CG	Double Symmetrical
Rectangular Luminaire		Length	220 mm	Width	15 mm	Height	80 mm
Rectangular Luminous Area		Length	218 mm	Width	12 mm	Height	10 mm
Horizontal Luminous Area		0.002616 m2		Emitting area on Plane 180°		0.002180 m2	
Emitting area on Plane 0°		0.002180 m2		Emitting area on Plane 270°		0.000120 m2	
Emitting area on Plane 90°		0.000120 m2		Glare area at 76°		0.002748 m2	
Coordinate system		CG		Symmetry Type		Double Symmetrical	
Date		09-08-2019		Maximum Gamma Angle		90	
Measurement Distance		0.00		Measurement Flux		215.06 lm	
Operator		qualitat		Rated Voltage			
Temperature		25.00 °C		Rated Current			
Humidity		60.00 %		Photocell			
Notes							

Line		Code	Luminaire Lamps		Flux [lm]	Pow. [W]	Q.ty
		DE-0509-BLA	Name	DE-0509-BLA	215.06	7.80	1
C.I.E.	49 80 96 100 100		D DIN 5040	A30			
F UTE	1.00 E		B NBN	BZ 4			





Luminaire

Code DE-0509-BLA
Name THIN

Measur.

Code DE-0509-BLA
Name THIN

Luminaire Flux	215.06 lm	Luminaire Power	7.80 W	Efficacy	27.57 lm/W	Efficiency	100.00%
Sources Flux	215.06 lm	Maximum value	379.77 cd/klm	Position	C=0.00 G=0.00	CG	Double Symmetrical

Luminous Intensity Table cd/klm Table 1/2

	C 0.00	C 15.00	C 30.00	C 45.00	C 60.00	C 75.00	C 90.00
G 0.0	379.77	379.77	379.77	379.77	379.77	379.77	379.77
G 1.0	379.71	379.57	379.74	379.66	379.72	379.66	379.69
G 2.0	379.44	379.40	379.41	379.40	379.41	379.36	379.36
G 3.0	379.04	378.91	378.97	378.95	378.95	378.89	378.86
G 4.0	378.41	378.32	378.36	378.29	378.29	378.23	378.24
G 5.0	377.66	377.54	377.50	377.46	377.39	377.32	377.29
G 6.0	376.64	376.49	376.58	376.43	376.42	376.28	376.25
G 7.0	375.57	375.46	375.35	375.22	375.09	374.97	374.94
G 8.0	374.29	374.06	374.10	373.84	373.75	373.52	373.51
G 9.0	372.85	372.69	372.52	372.27	372.07	371.84	371.83
G 10.0	371.18	371.00	370.88	370.52	370.30	370.02	369.98
G 11.0	369.43	369.22	369.00	368.62	368.35	368.01	367.90
G 12.0	367.50	367.31	366.97	366.55	366.17	365.79	365.72
G 13.0	365.36	365.08	364.88	364.31	363.92	363.47	363.32
G 14.0	363.13	362.91	362.45	361.90	361.34	360.84	360.70
G 15.0	360.66	360.41	360.03	359.34	358.80	358.22	358.06
G 16.0	358.18	357.90	357.34	356.64	355.92	355.28	355.10
G 17.0	355.49	355.13	354.59	353.77	353.02	352.33	352.13
G 18.0	352.59	352.26	351.65	350.75	349.91	349.13	348.91
G 19.0	349.61	349.30	348.57	347.61	346.64	345.81	345.55
G 20.0	346.46	346.09	345.41	344.31	343.30	342.38	342.10
G 21.0	343.26	342.88	341.99	340.87	339.67	338.76	338.40
G 22.0	339.82	339.38	338.59	337.33	336.11	335.07	334.74
G 23.0	336.29	335.92	334.93	333.57	332.20	331.13	330.78
G 24.0	332.57	332.14	331.19	329.72	328.33	327.16	326.86
G 25.0	328.83	328.38	327.35	325.77	324.25	323.00	322.64
G 26.0	324.99	324.54	323.34	321.73	320.12	318.88	318.47
G 27.0	320.91	320.44	319.30	317.58	315.93	314.58	314.18
G 28.0	316.83	316.35	315.06	313.33	311.57	310.20	309.77
G 29.0	312.61	312.11	310.83	308.98	307.22	305.76	305.35
G 30.0	308.38	307.87	306.44	304.58	302.66	301.19	300.75
G 31.0	303.99	303.43	302.01	300.09	298.18	296.61	296.16
G 32.0	299.46	298.96	297.51	295.50	293.44	291.87	291.39
G 33.0	294.94	294.42	292.87	290.84	288.82	287.18	286.69
G 34.0	290.24	289.73	288.25	286.11	283.96	282.31	281.81
G 35.0	285.59	285.05	283.40	281.27	279.11	277.42	276.86
G 36.0	280.73	280.21	278.59	276.38	274.17	272.43	271.86
G 37.0	275.93	275.35	273.70	271.45	269.19	267.44	266.87
G 38.0	270.93	270.44	268.72	266.42	264.19	262.38	261.81
G 39.0	265.95	265.38	263.74	261.39	259.06	257.27	256.71
G 40.0	260.88	260.40	258.60	256.28	254.02	252.18	251.58
G 41.0	255.77	255.23	253.54	251.14	248.77	246.98	246.36
G 42.0	250.59	250.06	248.27	245.91	243.63	241.75	241.12
G 43.0	245.32	244.81	243.08	240.69	238.28	236.44	235.77
G 44.0	240.11	239.58	237.79	235.38	233.07	231.19	230.53
G 45.0	234.73	234.26	232.45	230.05	227.67	225.81	225.17
G 46.0	229.35	228.83	227.14	224.69	222.34	220.48	219.84
G 47.0	223.93	223.51	221.65	219.30	216.94	215.09	214.41
G 48.0	218.48	217.95	216.30	213.86	211.49	209.66	209.00
G 49.0	212.95	212.49	210.72	208.36	206.06	204.22	203.55
G 50.0	207.38	206.95	205.25	202.88	200.50	198.69	198.05
G 51.0	201.84	201.36	199.71	197.34	195.10	193.26	192.64
G 52.0	196.25	195.82	194.14	191.81	189.48	187.70	187.06
G 53.0	190.64	190.12	188.52	186.16	183.97	182.16	181.50
G 54.0	184.89	184.48	182.83	180.55	178.25	176.48	175.84
G 55.0	179.20	178.73	177.24	174.88	172.67	170.93	170.33
G 56.0	173.47	173.06	171.45	169.19	167.02	165.31	164.72
G 57.0	167.68	167.23	165.77	163.54	161.38	159.72	159.10
G 58.0	161.95	161.54	160.04	157.87	155.80	154.13	153.58
G 59.0	156.22	155.82	154.36	152.22	150.11	148.52	147.94
G 60.0	150.44	150.05	148.66	146.54	144.57	142.98	142.40
G 61.0	144.67	144.36	142.95	140.88	138.83	137.33	136.79
G 62.0	138.94	138.56	137.24	135.20	133.28	131.77	131.21
G 63.0	133.09	132.82	131.43	129.48	127.54	126.06	125.54
G 64.0	127.37	127.03	125.76	123.80	121.93	120.50	119.98
G 65.0	121.59	121.33	120.03	118.14	116.33	114.89	114.46
G 66.0	115.88	115.60	114.35	112.54	110.75	109.35	108.92
G 67.0	110.16	109.91	108.70	106.92	105.25	103.90	103.39
G 68.0	104.51	104.24	103.06	101.35	99.61	98.31	97.84
G 69.0	98.92	98.61	97.44	95.79	94.19	92.88	92.41
G 70.0	93.29	92.99	91.85	90.23	88.60	87.38	86.94
G 71.0	87.68	87.36	86.26	84.72	83.22	82.01	81.59
G 72.0	82.10	81.87	80.76	79.29	77.79	76.61	76.18



Luminaire

Code DE-0509-BLA
Name THIN

Measurement

Code DE-0509-BLA
Name THIN

Luminaire Flux	215.06 lm	Luminaire Power	7.80 W	Efficacy	27.57 lm/W	Efficiency	100.00%
Sources Flux	215.06 lm	Maximum value	379.77 cd/klm	Position	C=0.00 G=0.00	CG	Double Symmetrical

Luminous Intensity Table cd/klm Table 2/2

	C 0.00	C 15.00	C 30.00	C 45.00	C 60.00	C 75.00	C 90.00
G 73.0	76.63	76.38	75.32	73.89	72.47	71.33	70.92
G 74.0	71.19	70.95	69.95	68.57	67.20	66.10	65.70
G 75.0	65.83	65.58	64.59	63.30	61.97	60.94	60.55
G 76.0	60.53	60.30	59.38	58.15	56.92	55.89	55.54
G 77.0	55.31	55.08	54.21	53.05	51.83	50.88	50.51
G 78.0	50.21	49.98	49.15	48.08	46.98	46.04	45.71
G 79.0	45.20	44.97	44.23	43.22	42.14	41.26	40.94
G 80.0	40.32	40.09	39.40	38.47	37.49	36.65	36.35
G 81.0	35.56	35.34	34.72	33.88	32.93	32.16	31.87
G 82.0	30.90	30.69	30.14	29.37	28.53	27.83	27.55
G 83.0	26.36	26.16	25.71	25.03	24.26	23.60	23.37
G 84.0	21.99	21.85	21.44	20.81	20.15	19.54	19.31
G 85.0	17.77	17.63	17.31	16.77	16.19	15.69	15.53
G 86.0	13.77	13.61	13.38	12.93	12.41	12.02	11.81
G 87.0	9.90	10.04	9.65	9.25	8.84	8.52	8.41
G 88.0	6.22	6.60	6.13	6.00	5.69	5.23	5.55
G 89.0	3.91	3.84	3.82	3.37	2.81	2.74	2.90
G 90.0	1.60	2.00	1.79	1.40	0.92	0.32	0.68



Luminaire

Code DE-0509-BLA

Name THIN

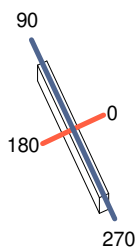
Measur.

Code DE-0509-BLA

Name THIN

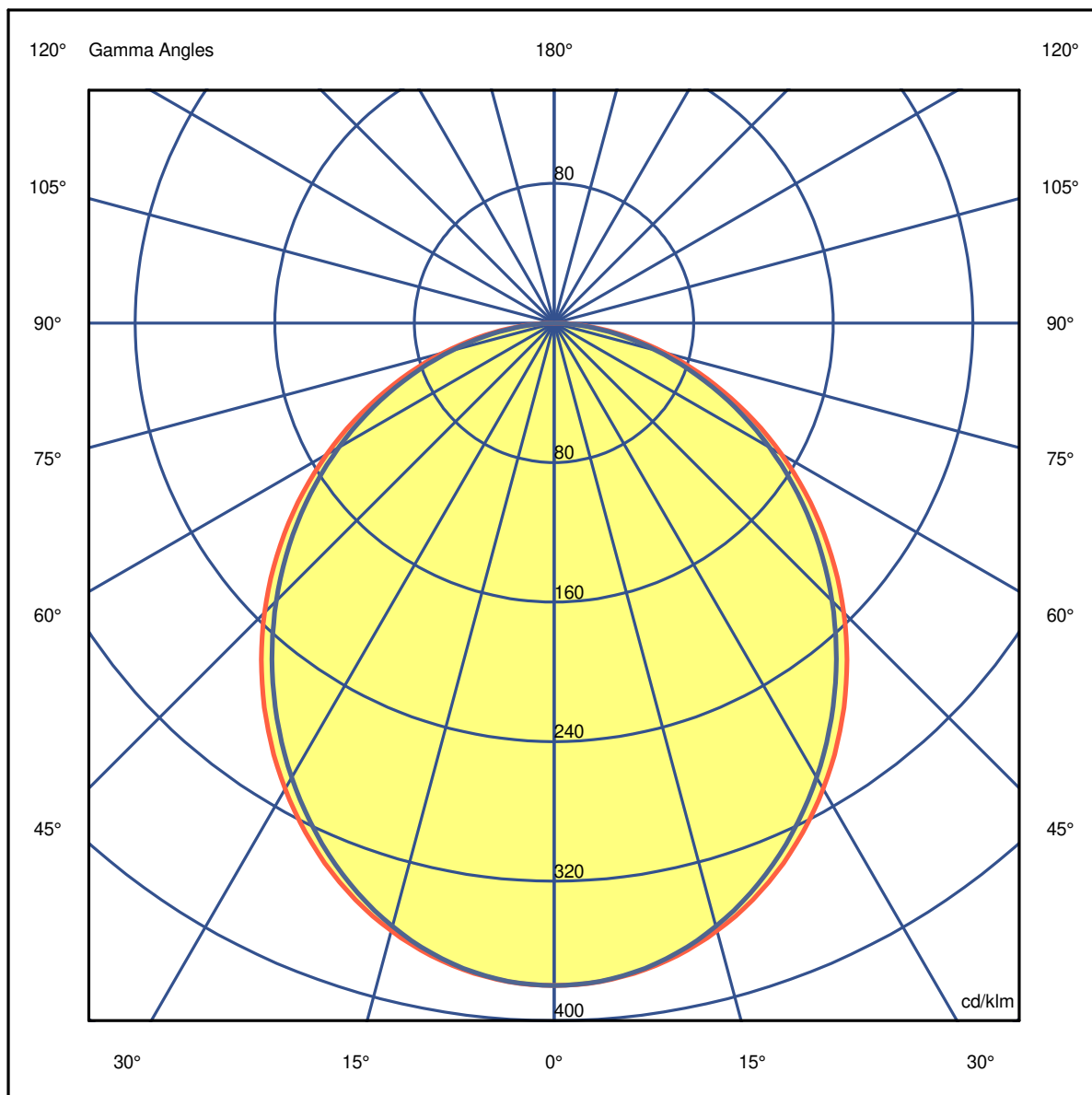
Luminaire Flux	215.06 lm	Luminaire Power	7.80 W	Efficacy	27.57 lm/W	Efficiency	100.00%
Sources Flux	215.06 lm	Maximum value	379.77 cd/klm	Position	C=0.00 G=0.00	CG	Double Symmetrical

220mm x 15mm



C Halfplanes

180.0 ——— 0.0
270.0 ——— 90.0





Luminaire

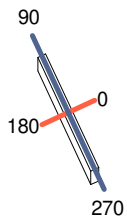
Code DE-0509-BLA
Name THIN

Measurement

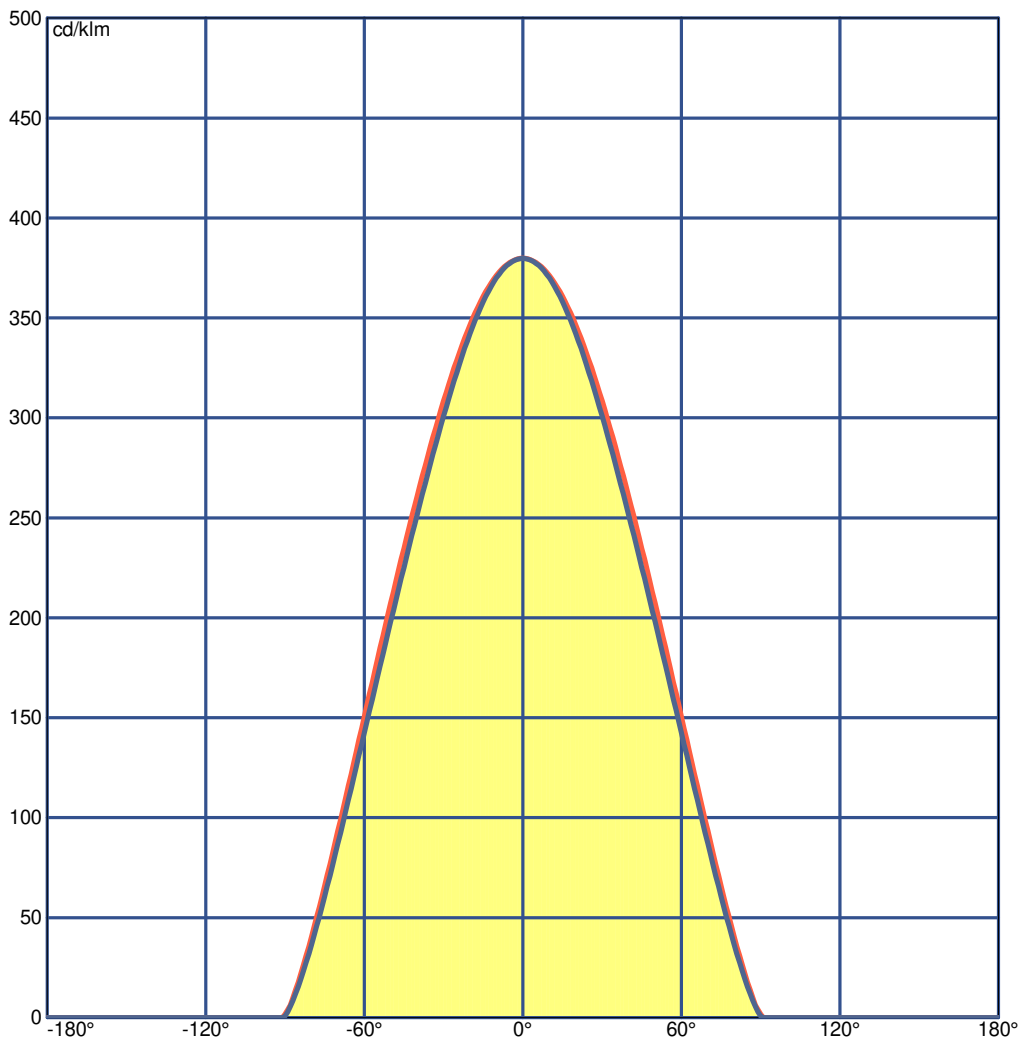
Code DE-0509-BLA
Name THIN

Luminaire Flux	215.06 lm	Luminaire Power	7.80 W	Efficacy	27.57 lm/W	Efficiency	100.00%
Sources Flux	215.06 lm	Maximum value	379.77 cd/klm	Position	C=0.00 G=0.00	CG	Double Symmetrical

220mm x 15mm



C Halfplanes
180.0 ——— 0.0
270.0 ——— 90.0





Luminaire

Code DE-0509-BLA
Name THIN

Measur.

Code DE-0509-BLA
Name THIN

Luminaire Flux	215.06 lm	Luminaire Power	7.80 W	Efficacy	27.57 lm/W	Efficiency	100.00%
Sources Flux	215.06 lm	Maximum value	379.77 cd/klm	Position	C=0.00 G=0.00	CG	Double Symmetrical

UGR
S = 0.250

Reflectancies										
Ceiling/Cavity	0.7	0.7	0.5	0.5	0.3	0.7	0.7	0.5	0.5	0.3
Walls	0.5	0.3	0.5	0.3	0.3	0.5	0.3	0.5	0.3	0.3
WorkingPlane	0.2	0.2	0.2	0.2	0.2	0.2	0.2	0.2	0.2	0.2
RoomDimensions	Viewed Crosswise					Viewed Endwise				
x=2H y=2H	21.1	22.4	21.4	22.6	22.8	22.2	23.5	22.5	23.8	24.0
x=2H y=3H	22.2	23.4	22.5	23.7	23.9	23.7	24.9	24.0	25.2	25.4
x=2H y=4H	22.6	23.7	23.0	24.0	24.3	24.3	25.4	24.6	25.7	26.0
x=2H y=6H	22.8	23.9	23.2	24.2	24.5	24.7	25.7	25.1	26.0	26.3
x=2H y=8H	22.9	23.9	23.3	24.2	24.5	24.8	25.8	25.2	26.1	26.4
x=2H y=12H	22.9	23.9	23.3	24.2	24.5	24.9	25.8	25.3	26.2	26.5
x=4H y=2H	21.8	22.9	22.1	23.1	23.4	22.7	23.8	23.0	24.1	24.4
x=4H y=3H	23.1	24.0	23.5	24.4	24.7	24.3	25.2	24.7	25.6	25.9
x=4H y=4H	23.6	24.4	24.0	24.8	25.1	25.0	25.8	25.4	26.2	26.5
x=4H y=6H	23.9	24.6	24.3	25.0	25.4	25.5	26.2	25.9	26.6	27.0
x=4H y=8H	24.0	24.6	24.4	25.0	25.4	25.6	26.3	26.0	26.7	27.1
x=4H y=12H	24.0	24.6	24.4	25.0	25.5	25.7	26.3	26.2	26.7	27.2
x=8H y=4H	23.8	24.5	24.2	24.9	25.3	25.1	25.8	25.5	26.1	26.6
x=8H y=6H	24.2	24.8	24.7	25.2	25.7	25.7	26.2	26.1	26.6	27.1
x=8H y=8H	24.3	24.8	24.8	25.3	25.8	25.9	26.3	26.3	26.8	27.3
x=8H y=12H	24.4	24.8	24.9	25.3	25.8	26.0	26.4	26.5	26.9	27.4
x=12H y=4H	23.8	24.4	24.3	24.9	25.3	25.1	25.7	25.5	26.1	26.5
x=12H y=6H	24.3	24.7	24.7	25.2	25.7	25.7	26.1	26.1	26.6	27.1
x=12H y=8H	24.4	24.8	24.9	25.3	25.8	25.9	26.3	26.4	26.8	27.3



Luminaire

Code DE-0509-BLA
Name THIN

Measurement

Code DE-0509-BLA
Name THIN

Luminaire Flux	215.06 lm	Luminaire Power	7.80 W	Efficacy	27.57 lm/W	Efficiency	100.00%
Sources Flux	215.06 lm	Maximum value	379.77 cd/klm	Position	C=0.00 G=0.00	CG	Double Symmetrical

Total Flux=215.06 Luminaire Flux=215.06

RI	0.60	0.80	1.00	1.25	1.50	2.00	2.50	3.00	4.00	5.00	10.00	20.00
DRR	0.32	0.40	0.48	0.55	0.60	0.69	0.74	0.79	0.83	0.86	0.93	0.96
RC	5	5	5	5	5	5	5	5	4	4	4	4

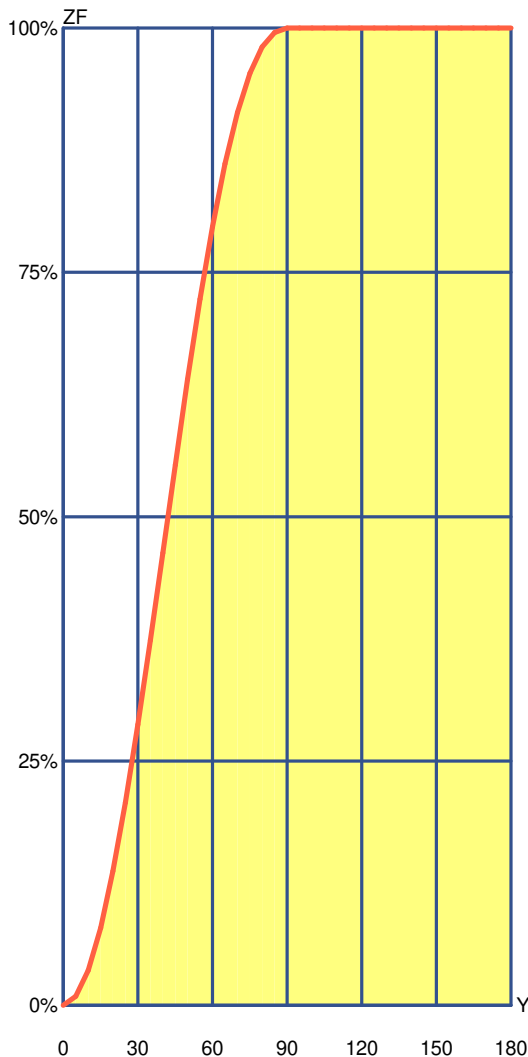
Zonal Flux per 1000 Lumen

Y°	10	20	30	40	50	60	70	80	90	100	110	120	130	140	150	160	170	180
ZF(Y)	36	137	287	463	640	797	914	981	1000	1000	1000	1000	1000	1000	1000	1000	1000	1000

CIE Flux Codes

49 80 96 100 100

C.I.E.	5/5/5/5/5/5/5/4/4/4	LOR	100.00000 %
D DIN 5040	A30	ULOR	0.00000 %
F UTE	1.00 E	DLOR	100.00000 %
B NBN	BZ 4	UFF	0.00000 %
RN	0.00000 %	DFF	100.00000 %
BLF	1.0	FFR	0.00000 %



Gamma °	Zonal Flux			
	Flux	Sum lm	Flux [%]	Sum [%]
0°	0.00	0.00	0.00%	0.00 %
5°	9.05	9.05	0.91%	0.91 %
10°	26.76	35.81	2.68%	3.58 %
15°	43.29	79.10	4.33%	7.91 %
20°	57.98	137.09	5.80%	13.71 %
25°	70.26	207.35	7.03%	20.74 %
30°	79.74	287.09	7.97%	28.71 %
35°	86.23	373.33	8.62%	37.33 %
40°	89.64	462.97	8.96%	46.30 %
45°	90.00	552.97	9.00%	55.30 %
50°	87.43	640.40	8.74%	64.04 %
55°	82.09	722.49	8.21%	72.25 %
60°	74.23	796.72	7.42%	79.67 %
65°	64.28	861.00	6.43%	86.10 %
70°	52.69	913.69	5.27%	91.37 %
75°	40.02	953.71	4.00%	95.37 %
80°	27.07	980.78	2.71%	98.08 %
85°	14.81	995.58	1.48%	99.56 %
90°	4.42	1000.00	0.44%	100.00 %
95°	0.00	1000.00	0.00%	100.00 %
100°	0.00	1000.00	0.00%	100.00 %
105°	0.00	1000.00	0.00%	100.00 %
110°	0.00	1000.00	0.00%	100.00 %
115°	0.00	1000.00	0.00%	100.00 %
120°	0.00	1000.00	0.00%	100.00 %
125°	0.00	1000.00	0.00%	100.00 %
130°	0.00	1000.00	0.00%	100.00 %
135°	0.00	1000.00	0.00%	100.00 %
140°	0.00	1000.00	0.00%	100.00 %
145°	0.00	1000.00	0.00%	100.00 %
150°	0.00	1000.00	0.00%	100.00 %
155°	0.00	1000.00	0.00%	100.00 %
160°	0.00	1000.00	0.00%	100.00 %
165°	0.00	1000.00	0.00%	100.00 %
170°	0.00	1000.00	0.00%	100.00 %
175°	0.00	1000.00	0.00%	100.00 %
180°	0.00	1000.00	0.00%	100.00 %



Luminaire

Code DE-0509-BLA
Name THIN

Measurement

Code DE-0509-BLA
Name THIN

Luminaire Flux	215.06 lm	Luminaire Power	7.80 W	Efficacy	27.57 lm/W	Efficiency	100.00%
Sources Flux	215.06 lm	Maximum value	379.77 cd/klm	Position	C=0.00 G=0.00	CG	Double Symmetrical

Utilizations CIE

Mounting	Direct	Normalization										Normalised										Suspension Ratid/3										Standard CIE Settings																																																																																																																																																																																																																																																																																							
Ceiling																																																																																																																																																																																																																																																																																																																							
K	8873	8773	8871	8771	7773	7771	7753	7553	7751	7551	7731	7331	7711	7111	5551	5531	5331	5511	5111	3331	3311	1111	0000	0.60	216	194	169	152	184	145	111	94	86	73	46	35	17	12	69	37	33	14	11	31	12	10	0	0.80	250	229	180	166	218	159	140	122	99	87	56	44	23	17	81	46	42	20	16	40	17	15	0	1.00	273	254	182	170	241	163	163	145	105	95	62	52	29	22	89	53	49	25	21	46	22	20	0	1.25	293	275	179	170	262	163	186	169	110	101	69	59	36	29	95	60	56	32	28	53	28	25	0	1.50	307	291	175	167	277	161	205	189	112	104	74	64	42	34	98	65	61	37	33	58	34	31	0	2.00	324	312	164	159	297	154	234	219	113	107	80	72	51	44	101	72	68	47	42	66	43	39	0	2.50	336	325	156	152	311	147	254	241	113	108	84	77	59	52	103	77	74	54	50	71	50	47	0	3.00	344	335	149	146	320	142	270	257	113	108	87	81	64	58	103	80	78	60	56	75	56	52	0	4.00	355	348	141	139	333	135	292	281	112	109	91	86	73	67	104	86	83	68	65	80	64	61	0	5.00	363	357	136	134	342	131	307	297	112	109	94	90	78	73	105	89	87	74	71	84	70	67	0	10.00	378	375	123	123	360	121	340	335	110	109	101	98	91	88	106	97	95	88	86	93	85	82	0	20.00	386	384	116	116	369	114	359	356	109	108	104	103	99	97	105	101	100	96	95	98	93	91	0

Wall

K	8873	8773	8871	8771	7773	7771	7753	7553	7751	7551	7731	7331	7711	7111	5551	5531	5331	5511	5111	3331	3311	1111	0000	0.60	462	451	403	395	444	390	350	342	315	309	264	260	227	225	307	260	259	226	225	258	225	225	204	0.80	520	507	440	432	498	426	406	396	355	349	305	300	267	264	345	300	298	265	264	296	264	263	239	1.00	558	545	459	452	534	445	445	435	381	375	332	327	295	292	369	326	324	292	291	322	290	289	262	1.25	590	578	473	467	564	460	482	471	402	396	357	351	321	317	389	350	348	317	315	344	315	313	283	1.50	614	603	482	476	587	469	509	499	416	411	374	369	340	336	404	367	365	336	334	361	333	331	298	2.00	637	627	481	477	608	470	541	531	427	422	391	386	361	356	414	383	380	356	353	376	352	348	311	2.50	650	641	479	475	620	468	562	552	432	428	400	396	374	369	418	391	389	368	365	384	363	358	319	3.00	657	649	474	471	627	464	575	565	432	429	405	401	381	376	419	396	394	374	372	387	369	363	322	4.00	671	665	473	471	641	464	598	590	439	436	416	412	396	392	426	406	405	388	386	397	382	375	331	5.00	682	677	474	472	651	465	615	607	444	442	425	422	408	403	431	414	413	399	397	405	392	385	339	10.00	704	701	473	473	673	466	652	647	454	453	443	441	432	430	441	432	431	422	421	421	413	404	354	20.00	706	704	462	462	674	455	662	659	449	448	443	442	437	435	436	431	430	426	425	420	415	405	352
---	------	------	------	------	------	------	------	------	------	------	------	------	------	------	------	------	------	------	------	------	------	------	------	------	-----	-----	-----	-----	-----	-----	-----	-----	-----	-----	-----	-----	-----	-----	-----	-----	-----	-----	-----	-----	-----	-----	-----	------	-----	-----	-----	-----	-----	-----	-----	-----	-----	-----	-----	-----	-----	-----	-----	-----	-----	-----	-----	-----	-----	-----	-----	------	-----	-----	-----	-----	-----	-----	-----	-----	-----	-----	-----	-----	-----	-----	-----	-----	-----	-----	-----	-----	-----	-----	-----	------	-----	-----	-----	-----	-----	-----	-----	-----	-----	-----	-----	-----	-----	-----	-----	-----	-----	-----	-----	-----	-----	-----	-----	------	-----	-----	-----	-----	-----	-----	-----	-----	-----	-----	-----	-----	-----	-----	-----	-----	-----	-----	-----	-----	-----	-----	-----	------	-----	-----	-----	-----	-----	-----	-----	-----	-----	-----	-----	-----	-----	-----	-----	-----	-----	-----	-----	-----	-----	-----	-----	------	-----	-----	-----	-----	-----	-----	-----	-----	-----	-----	-----	-----	-----	-----	-----	-----	-----	-----	-----	-----	-----	-----	-----	------	-----	-----	-----	-----	-----	-----	-----	-----	-----	-----	-----	-----	-----	-----	-----	-----	-----	-----	-----	-----	-----	-----	-----	------	-----	-----	-----	-----	-----	-----	-----	-----	-----	-----	-----	-----	-----	-----	-----	-----	-----	-----	-----	-----	-----	-----	-----	------	-----	-----	-----	-----	-----	-----	-----	-----	-----	-----	-----	-----	-----	-----	-----	-----	-----	-----	-----	-----	-----	-----	-----	-------	-----	-----	-----	-----	-----	-----	-----	-----	-----	-----	-----	-----	-----	-----	-----	-----	-----	-----	-----	-----	-----	-----	-----	-------	-----	-----	-----	-----	-----	-----	-----	-----	-----	-----	-----	-----	-----	-----	-----	-----	-----	-----	-----	-----	-----	-----	-----

Working Pl.

K	8873	8773	8871	8771	7773	7771	7753	7553	7751	7551	7731	7331	7711	7111	5551	5531	5331	5511	5111	3331	3311	1111	0000	0.60	604	591	563	554	583	548	469	461	451	446	386	381	338	337	442	381	380	337	336	379	336	335	318	0.80	711	697	655	645	685	637	570	560	544	537	477	471	426	423	530	470	468	424	422	466	422	421	403	1.00	795	780	724	715	765	706	653	642	618	611	552	546	502	498	602	544	542	498	496	538	496	494	476	1.25	873	859	787	779	839	768	735	721	688	681	626	618	576	571	670	616	613	572	569	608	568	565	548	1.50	932	918	832	825	895	813	797	783	740	733	682	674	634	629	721	670	667	628	625	661	623	619	603	2.00	1000	1000	896	890	977	878	892	878	817	811	767	759	725	718	797	754	751	716	713	743	710	704	689	2.50	1000	1000	935	930	1000	918	955	941	867	861	823	815	785	778	845	808	805	775	771	795	767	759	745	3.00	1000	1000	962	958	1000	945	1000	988	901	896	862	856	828	822	879	846	844	817	813	833	807	799	785	4.00	1000	1000	993	990	1000	977	1000	1000	943	939	911	905	883	876	920	894	891	869	866	878	858	847	834	5.00	1000	1000	1000	1000	1000	997	1000	1000	968	964	941	936	917	911	945	923	921	902	899	907	889	877	865	10.00	1000	1000	1000	1000	1000	1000	1000	1000	1000	1000	1000	1000	1000	1000	1000	1000	1000	1000	1000	999	993	975	965	20.00	1000	1000	1000	1000	1000	1000	1000	1000	1000	1000	1000	1000	1000	1000	1000	1000	1000	1000	1000	1000	1000	1000	1000
---	------	------	------	------	------	------	------	------	------	------	------	------	------	------	------	------	------	------	------	------	------	------	------	------	-----	-----	-----	-----	-----	-----	-----	-----	-----	-----	-----	-----	-----	-----	-----	-----	-----	-----	-----	-----	-----	-----	-----	------	-----	-----	-----	-----	-----	-----	-----	-----	-----	-----	-----	-----	-----	-----	-----	-----	-----	-----	-----	-----	-----	-----	-----	------	-----	-----	-----	-----	-----	-----	-----	-----	-----	-----	-----	-----	-----	-----	-----	-----	-----	-----	-----	-----	-----	-----	-----	------	-----	-----	-----	-----	-----	-----	-----	-----	-----	-----	-----	-----	-----	-----	-----	-----	-----	-----	-----	-----	-----	-----	-----	------	-----	-----	-----	-----	-----	-----	-----	-----	-----	-----	-----	-----	-----	-----	-----	-----	-----	-----	-----	-----	-----	-----	-----	------	------	------	-----	-----	-----	-----	-----	-----	-----	-----	-----	-----	-----	-----	-----	-----	-----	-----	-----	-----	-----	-----	-----	------	------	------	-----	-----	------	-----	-----	-----	-----	-----	-----	-----	-----	-----	-----	-----	-----	-----	-----	-----	-----	-----	-----	------	------	------	-----	-----	------	-----	------	-----	-----	-----	-----	-----	-----	-----	-----	-----	-----	-----	-----	-----	-----	-----	-----	------	------	------	-----	-----	------	-----	------	------	-----	-----	-----	-----	-----	-----	-----	-----	-----	-----	-----	-----	-----	-----	-----	------	------	------	------	------	------	-----	------	------	-----	-----	-----	-----	-----	-----	-----	-----	-----	-----	-----	-----	-----	-----	-----	-------	------	------	------	------	------	------	------	------	------	------	------	------	------	------	------	------	------	------	------	-----	-----	-----	-----	-------	------	------	------	------	------	------	------	------	------	------	------	------	------	------	------	------	------	------	------	------	------	------	------

LM53 SHR C0-C180: 1.202 SHR C90-C270: 1.178 SHR Square: 1.319



Luminaire

Code DE-0509-BLA
Name THIN

Measur.

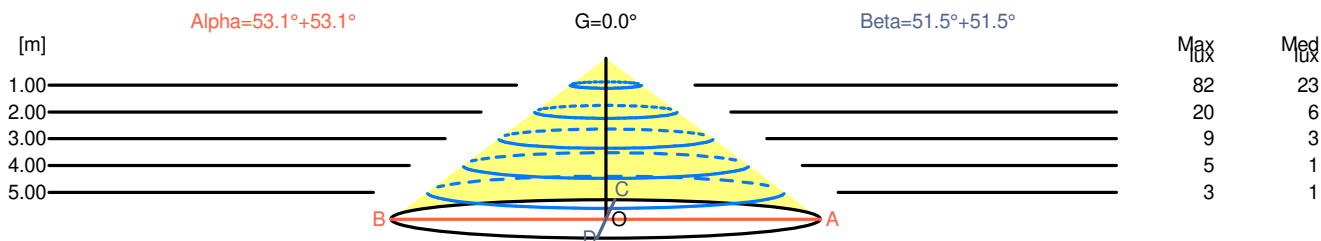
Code DE-0509-BLA
Name THIN

Luminaire Flux	215.06 lm	Luminaire Power	7.80 W	Efficacy	27.57 lm/W	Efficiency	100.00%
Sources Flux	215.06 lm	Maximum value	379.77 cd/klm	Position	C=0.00 G=0.00	CG	Double Symmetrical

Width at 50.00 % of Max Intensity

H[m]	1.00	2.00	3.00	4.00	5.00	H[m]	1.00	2.00	3.00	4.00	5.00
OA	1.33	2.67	4.00	5.33	6.67	OC	1.26	2.51	3.77	5.03	6.28
OB	1.33	2.67	4.00	5.33	6.67	OD	1.26	2.51	3.77	5.03	6.28

	Luminous Intensities [cd/klm]									
	0	5	15	25	35	45	55	65	75	85
OA	81.67	81.22	77.56	70.72	61.42	50.48	38.54	26.15	14.16	3.82
OB	81.67	81.22	77.56	70.72	61.42	50.48	38.54	26.15	14.16	3.82
OC	81.67	81.14	77.00	69.39	59.54	48.43	36.63	24.62	13.02	3.34
OD	81.67	81.14	77.00	69.39	59.54	48.43	36.63	24.62	13.02	3.34



H[m]	D[m]	Max lux	Med lux	Alpha=53.1°+53.1°	G=0.0	
1.00	2.67	82	23			
2.00	5.33	20	6			
3.00	8.00	9	3			
4.00	10.67	5	1			
5.00	13.33	3	1			

H[m]	D[m]	Max lux	Med lux	Beta=51.5°+51.5°	G=0.0	
1.00	2.51	82	23			
2.00	5.03	20	6			
3.00	7.54	9	3			
4.00	10.06	5	1			
5.00	12.57	3	1			



Luminaire

Code DE-0509-BLA
Name THIN

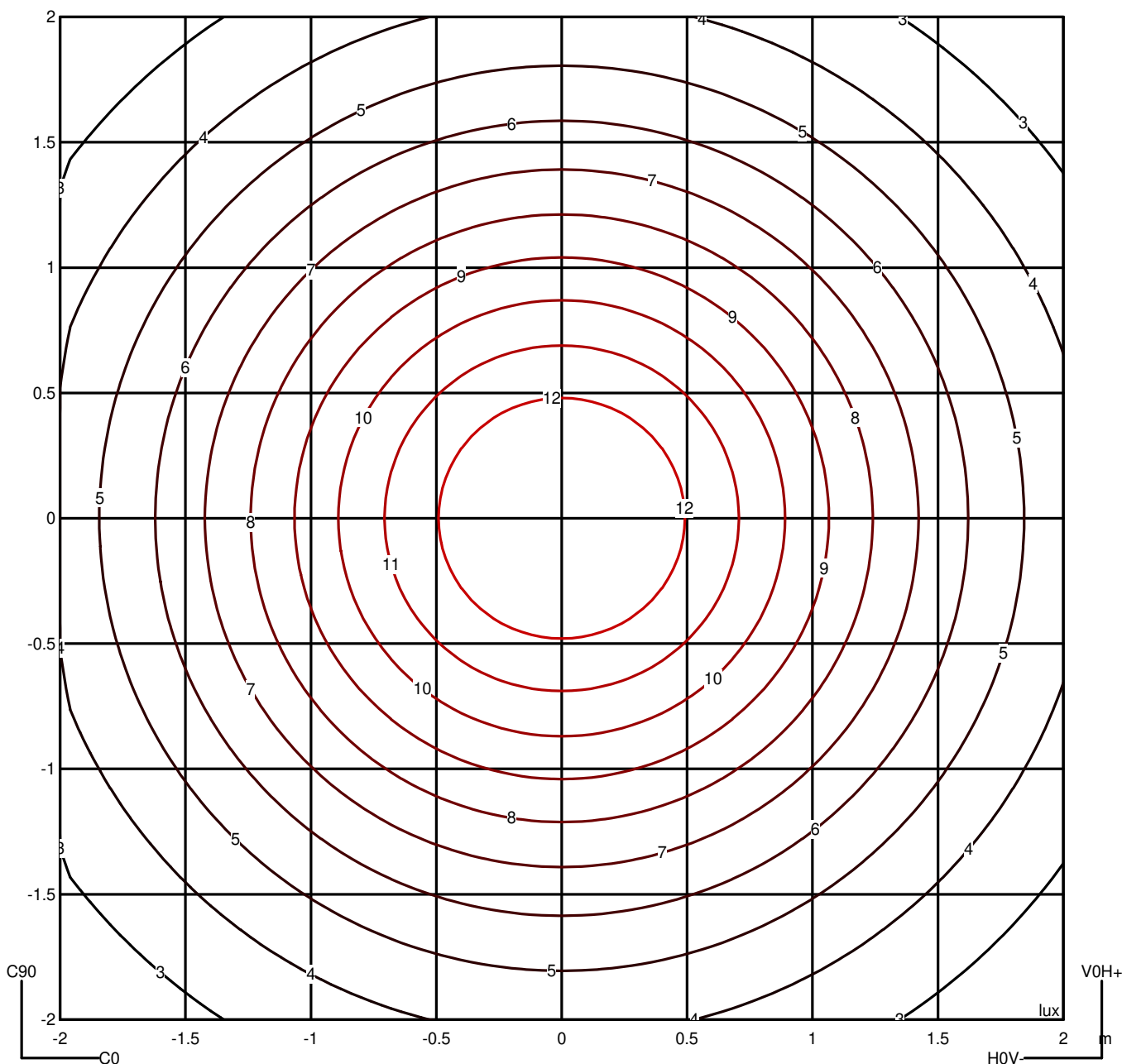
Measurerm.

Code DE-0509-BLA
Name THIN

Luminaire Flux	215.06 lm	Luminaire Power	7.80 W	Efficacy	27.57 lm/W	Efficiency	100.00%
Sources Flux	215.06 lm	Maximum value	379.77 cd/klm	Position	C=0.00 G=0.00	CG	Double Symmetrical

Isolux (Floor)

Luminaire position X=0.00m Y=0.00m Z=2.50m





Luminaire

Code DE-0509-BLA

Name THIN

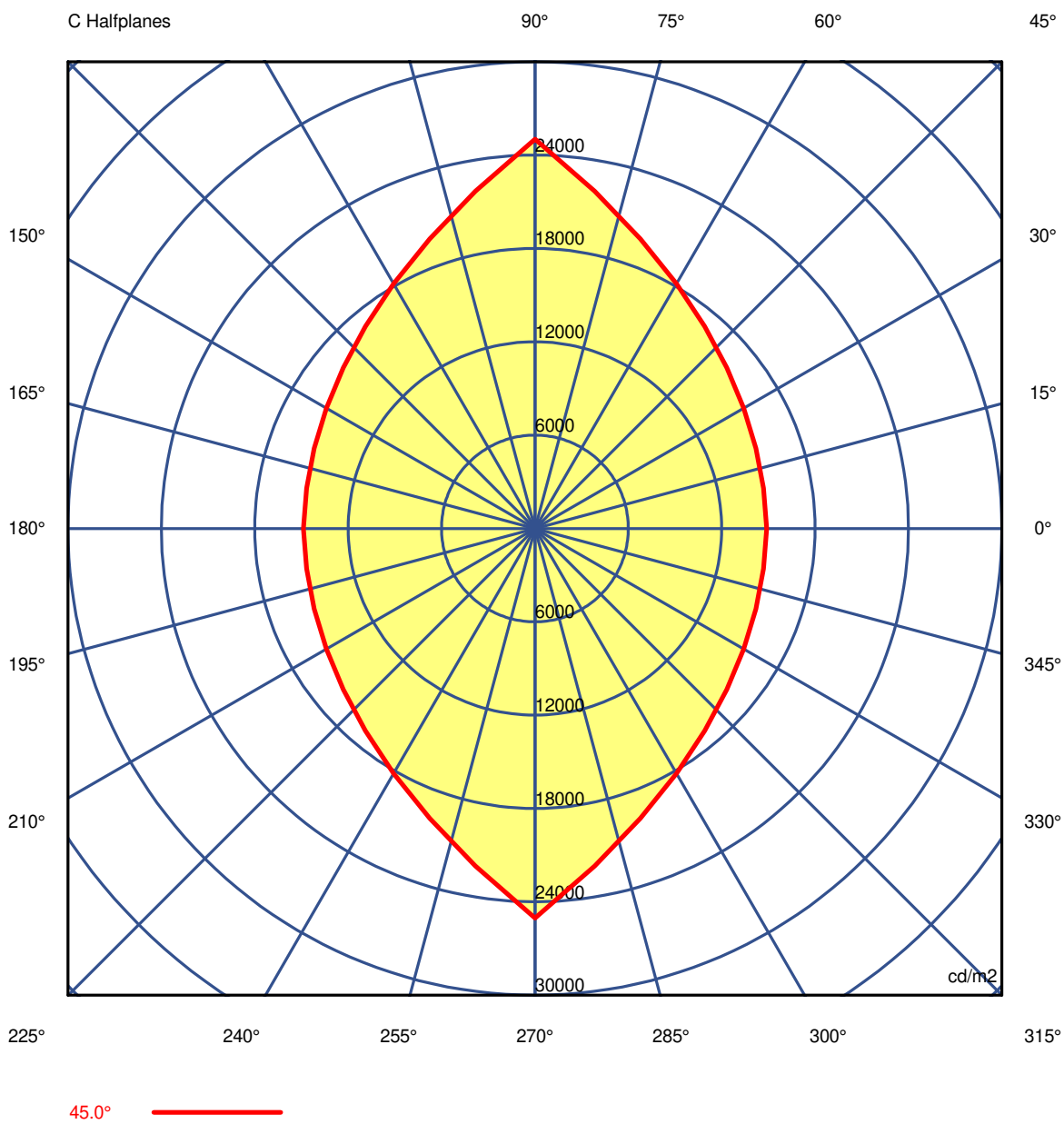
Measurement

Code DE-0509-BLA

Name THIN

Luminaire Flux	215.06 lm	Luminaire Power	7.80 W	Efficacy	27.57 lm/W	Efficiency	100.00%
Sources Flux	215.06 lm	Maximum value	379.77 cd/klm	Position	C=0.00 G=0.00	CG	Double Symmetrical

Luminance





Luminaire

Code DE-0509-BLA

Name THIN

Measurement

Code DE-0509-BLA

Name THIN

Luminaire Flux	215.06 lm	Luminaire Power	7.80 W	Efficacy	27.57 lm/W	Efficiency	100.00%
Sources Flux	215.06 lm	Maximum value	379.77 cd/klm	Position	C=0.00 G=0.00	CG	Double Symmetrical

Luminance cd/m2 Table 1/3

	C 0.00	C 10.00	C 20.00	C 30.00	C 40.00	C 50.00	C 60.00	C 70.00	C 80.00	C 90.00	C 100.00	C 110.00	C 120.00
G 0.0	31220.82	31220.82	31220.82	31220.82	31220.82	31220.82	31220.82	31220.82	31220.82	31220.82	31220.82	31220.82	31220.82
G 5.0	29047.93	29052.66	29119.45	29247.00	29430.84	29666.27	29948.00	30270.32	30627.54	31010.79	30627.54	30270.32	29948.00
G 10.0	27015.35	27025.46	27144.98	27367.30	27680.82	28095.77	28609.70	29205.40	29886.45	30637.05	29886.45	29205.40	28609.70
G 15.0	25092.66	25106.77	25259.68	25545.33	25957.60	26512.14	27210.09	28036.99	29003.63	30104.32	29003.63	28036.99	27210.09
G 20.0	23256.57	23271.54	23446.07	23775.17	24258.68	24915.65	25755.58	26777.57	28004.07	29436.97	28004.07	26777.57	25755.58
G 25.0	21480.66	21497.79	21685.59	22040.29	22570.44	23300.74	24251.06	25436.90	26898.57	28653.34	26898.57	25436.90	24251.06
G 30.0	19764.18	19783.72	19976.31	20343.58	20910.66	21699.88	22739.23	24068.45	25746.44	27812.74	25746.44	24068.45	22739.23
G 35.0	18099.83	18120.88	18318.00	18694.43	19283.25	20114.89	21227.59	22676.69	24549.08	26920.93	24549.08	22676.69	21227.59
G 40.0	16476.15	16501.26	16701.23	17080.46	17679.82	18540.65	19711.58	21261.83	23314.59	25997.74	23314.59	21261.83	19711.58
G 45.0	14885.83	14911.36	15111.07	15490.40	16093.18	16966.87	18174.37	19810.11	22031.91	25030.46	22031.91	19810.11	18174.37
G 50.0	13307.38	13332.93	13531.56	13908.47	14506.11	15380.46	16609.56	18312.11	20689.04	24016.84	20689.04	18312.11	16609.56
G 55.0	11727.35	11748.08	11942.27	12311.58	12888.61	13747.44	14982.70	16727.29	19238.21	22912.16	19238.21	16727.29	14982.70
G 60.0	10123.31	10145.11	10327.35	10674.82	11226.66	12058.95	13275.28	15034.51	17654.86	21690.35	17654.86	15034.51	13275.28
G 65.0	8486.53	8511.40	8677.13	8991.32	9500.39	10278.55	11436.18	13161.71	15849.06	20270.75	15849.06	13161.71	11436.18
G 70.0	6816.25	6834.15	6975.48	7248.74	7697.84	8392.16	9448.87	11086.58	13768.79	18558.66	13768.79	11086.58	9448.87
G 75.0	5087.38	5101.18	5211.79	5429.01	5797.31	6377.59	7281.79	8740.99	11294.00	16420.20	11294.00	8740.99	7281.79
G 80.0	3333.68	3339.78	3416.63	3571.25	3835.52	4261.43	4945.82	6102.37	8319.34	13654.61	8319.34	6102.37	4945.82
G 85.0	1592.70	1593.24	1633.74	1716.24	1852.95	2077.71	2455.97	3141.66	4642.20	9609.66	4642.20	3141.66	2455.97
G 90.0	157.96	190.98	204.62	197.22	188.33	182.44	165.13	112.50	147.97	1216.70	147.97	112.50	165.13



Luminaire

Code DE-0509-BLA

Name THIN

Measurement

Code DE-0509-BLA

Name THIN

Luminaire Flux	215.06 lm	Luminaire Power	7.80 W	Efficacy	27.57 lm/W	Efficiency	100.00%
Sources Flux	215.06 lm	Maximum value	379.77 cd/klm	Position	C=0.00 G=0.00	CG	Double Symmetrical

Luminance cd/m2 Table 2/3

	C 130.00	C 140.00	C 150.00	C 160.00	C 170.00	C 180.00	C 190.00	C 200.00	C 210.00	C 220.00	C 230.00	C 240.00	C 250.00
G 0.0	31220.82	31220.82	31220.82	31220.82	31220.82	31220.82	31220.82	31220.82	31220.82	31220.82	31220.82	31220.82	31220.82
G 5.0	29666.27	29430.84	29247.00	29119.45	29052.66	29047.93	29052.66	29119.45	29247.00	29430.84	29666.27	29948.00	30270.32
G 10.0	28095.77	27680.82	27367.30	27144.98	27025.46	27015.35	27025.46	27144.98	27367.30	27680.82	28095.77	28609.70	29205.40
G 15.0	26512.14	25957.60	25545.33	25259.68	25106.77	25092.66	25106.77	25259.68	25545.33	25957.60	26512.14	27210.09	28036.99
G 20.0	24915.65	24258.68	23775.17	23446.07	23271.54	23256.57	23271.54	23446.07	23775.17	24258.68	24915.65	25755.58	26777.57
G 25.0	23300.74	22570.44	22040.29	21685.59	21497.79	21480.66	21497.79	21685.59	22040.29	22570.44	23300.74	24251.06	25436.90
G 30.0	21699.88	20910.66	20343.58	19976.31	19783.72	19764.18	19783.72	19976.31	20343.58	20910.66	21699.88	22739.23	24068.45
G 35.0	20114.89	19283.25	18694.43	18318.00	18120.88	18099.83	18120.88	18318.00	18694.43	19283.25	20114.89	21227.59	22676.69
G 40.0	18540.65	17679.82	17080.46	16701.23	16501.26	16476.15	16501.26	16701.23	17080.46	17679.82	18540.65	19711.58	21261.83
G 45.0	16966.87	16093.18	15490.40	15111.07	14911.36	14885.83	14911.36	15111.07	15490.40	16093.18	16966.87	18174.37	19810.11
G 50.0	15380.46	14506.11	13908.47	13531.56	13332.93	13307.38	13332.93	13531.56	13908.47	14506.11	15380.46	16609.56	18312.11
G 55.0	13747.44	12888.61	12311.58	11942.27	11748.08	11727.35	11748.08	11942.27	12311.58	12888.61	13747.44	14982.70	16727.29
G 60.0	12058.95	11226.66	10674.82	10327.35	10145.11	10123.31	10145.11	10327.35	10674.82	11226.66	12058.95	13275.28	15034.51
G 65.0	10278.55	9500.39	8991.32	8677.13	8511.40	8486.53	8511.40	8677.13	8991.32	9500.39	10278.55	11436.18	13161.71
G 70.0	8392.16	7697.84	7248.74	6975.48	6834.15	6816.25	6834.15	6975.48	7248.74	7697.84	8392.16	9448.87	11086.58
G 75.0	6377.59	5797.31	5429.01	5211.79	5101.18	5087.38	5101.18	5211.79	5429.01	5797.31	6377.59	7281.79	8740.99
G 80.0	4261.43	3835.52	3571.25	3416.63	3339.78	3333.68	3339.78	3416.63	3571.25	3835.52	4261.43	4945.82	6102.37
G 85.0	2077.71	1852.95	1716.24	1633.74	1593.24	1592.70	1593.24	1633.74	1716.24	1852.95	2077.71	2455.97	3141.66
G 90.0	182.44	188.33	197.22	204.62	190.98	157.96	190.98	204.62	197.22	188.33	182.44	165.13	112.50



Luminaire

Code DE-0509-BLA
Name THIN

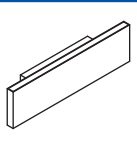
Measur.

Code DE-0509-BLA
Name THIN

Luminaire Flux	215.06 lm	Luminaire Power	7.80 W	Efficacy	27.57 lm/W	Efficiency	100.00%
Sources Flux	215.06 lm	Maximum value	379.77 cd/klm	Position	C=0.00 G=0.00	CG	Double Symmetrical

Luminance cd/m2 Table 3/3

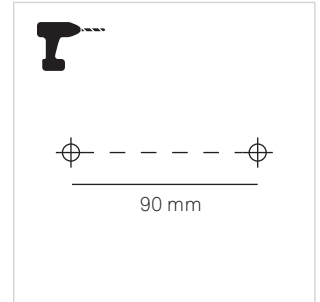
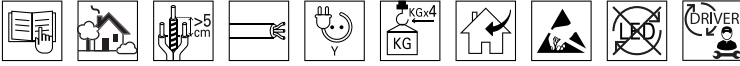
	C 260.00	C 270.00	C 280.00	C 290.00	C 300.00	C 310.00	C 320.00	C 330.00	C 340.00	C 350.00
G 0.0	31220.82	31220.82	31220.82	31220.82	31220.82	31220.82	31220.82	31220.82	31220.82	31220.82
G 5.0	30627.54	31010.79	30627.54	30270.32	29948.00	29666.27	29430.84	29247.00	29119.45	29052.66
G 10.0	29886.45	30637.05	29886.45	29205.40	28609.70	28095.77	27680.82	27367.30	27144.98	27025.46
G 15.0	29003.63	30104.32	29003.63	28036.99	27210.09	26512.14	25957.60	25545.33	25259.68	25106.77
G 20.0	28004.07	29436.97	28004.07	26777.57	25755.58	24915.65	24258.68	23775.17	23446.07	23271.54
G 25.0	26898.57	28653.34	26898.57	25436.90	24251.06	23300.74	22570.44	22040.29	21685.59	21497.79
G 30.0	25746.44	27812.74	25746.44	24068.45	22739.23	21699.88	20910.66	20343.58	19976.31	19783.72
G 35.0	24549.08	26920.93	24549.08	22676.69	21227.59	20114.89	19283.25	18694.43	18318.00	18120.88
G 40.0	23314.59	25997.74	23314.59	21261.83	19711.58	18540.65	17679.82	17080.46	16701.23	16501.26
G 45.0	22031.91	25030.46	22031.91	19810.11	18174.37	16966.87	16093.18	15490.40	15111.07	14911.36
G 50.0	20689.04	24016.84	20689.04	18312.11	16609.56	15380.46	14506.11	13908.47	13531.56	13332.93
G 55.0	19238.21	22912.16	19238.21	16727.29	14982.70	13747.44	12888.61	12311.58	11942.27	11748.08
G 60.0	17654.86	21690.35	17654.86	15034.51	13275.28	12058.95	11226.66	10674.82	10327.35	10145.11
G 65.0	15849.06	20270.75	15849.06	13161.71	11436.18	10278.55	9500.39	8991.32	8677.13	8511.40
G 70.0	13768.79	18558.66	13768.79	11086.58	9448.87	8392.16	7697.84	7248.74	6975.48	6834.15
G 75.0	11294.00	16420.20	11294.00	8740.99	7281.79	6377.59	5797.31	5429.01	5211.79	5101.18
G 80.0	8319.34	13654.61	8319.34	6102.37	4945.82	4261.43	3835.52	3571.25	3416.63	3339.78
G 85.0	4642.20	9609.66	4642.20	3141.66	2455.97	2077.71	1852.95	1716.24	1633.74	1593.24
G 90.0	147.97	1216.70	147.97	112.50	165.13	182.44	188.33	197.22	204.62	190.98




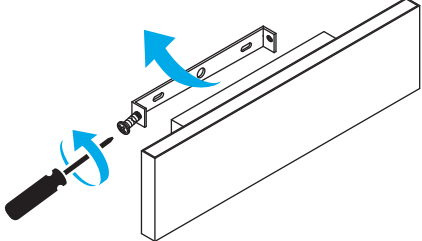
Thin

DE-0509

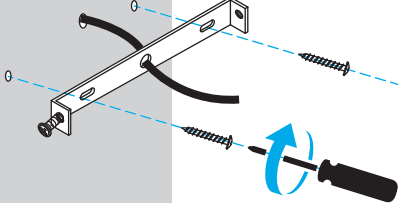
FOR
LIGHT



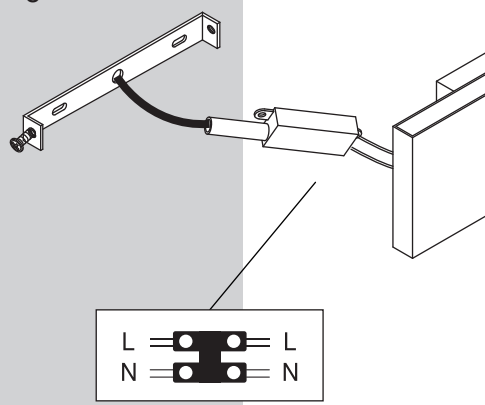
1 



2

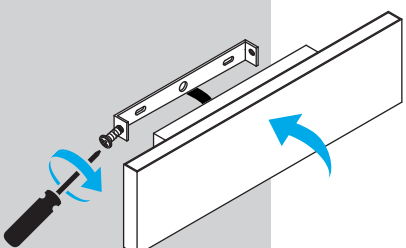


3



L = L
N = N

4



5 